



US00D947421S

(12) **United States Design Patent**
Hu

(10) **Patent No.:** **US D947,421 S**
(45) **Date of Patent:** **** Mar. 29, 2022**

(54) **LIGHT WITH CONTROL BOX**

(71) Applicant: **Yang Hu**, Changde (CN)

(72) Inventor: **Yang Hu**, Changde (CN)

(**) Term: **15 Years**

(21) Appl. No.: **29/759,534**

(22) Filed: **Nov. 23, 2020**

(51) **LOC (13) Cl.** **26-04**

(52) **U.S. Cl.**
USPC **D26/25**

(58) **Field of Classification Search**
USPC ... D26/1, 2, 4, 24, 25, 27, 37, 39, 110, 118;
D13/134
CPC A44C 15/0015; A01G 5/04; F21S 2/00;
F21S 4/00; F21S 4/10; F21S 4/15; F21K
9/00; F21V 21/00; F21V 33/008; F21W
2121/00; F21W 2121/04; G02B 6/0006;
G02B 6/0008; G09F 13/00

See application file for complete search history.

(56) **References Cited**

U.S. PATENT DOCUMENTS

- 4,802,072 A * 1/1989 Kau F21S 4/10
362/238
- 4,970,632 A * 11/1990 Tseng H01R 33/09
362/654
- D351,915 S * 10/1994 Hermanson D26/25
- D398,408 S * 9/1998 Lin D26/25
- 5,994,845 A * 11/1999 Gibboney, Jr. H02H 9/02
315/185 R
- 6,347,965 B1 * 2/2002 Pan H01R 33/09
439/699.2
- 6,713,971 B1 * 3/2004 Wong F21V 19/0005
315/185 S
- 6,799,867 B1 * 10/2004 Cheng F21V 19/0005
362/249.14
- D816,874 S 5/2018 Lentz et al.
- D825,793 S 8/2018 Lentz et al.

- D880,022 S 3/2020 Gong
- D908,933 S * 1/2021 Wu F21V 23/0407
D26/25
- D910,890 S * 2/2021 Yang F21V 19/0005
D26/25
- D914,253 S * 3/2021 Kuang F21V 19/0005
D26/25
- D915,643 S * 4/2021 Liang F21S 4/10
D26/25

(Continued)

FOREIGN PATENT DOCUMENTS

- CN 306688941 * 7/2021
- EM 008321921-0003 * 12/2020

(Continued)

OTHER PUBLICATIONS

LED Christmas Lights Review_Nov. 23, 2012_YouTube, site visited Oct. 7, 2021, url: <https://www.youtube.com/watch?v=Jiw9zy2xkEY> (Year: 2012).*

(Continued)

Primary Examiner — T Chase Nelson

Assistant Examiner — Rachel Wolfe

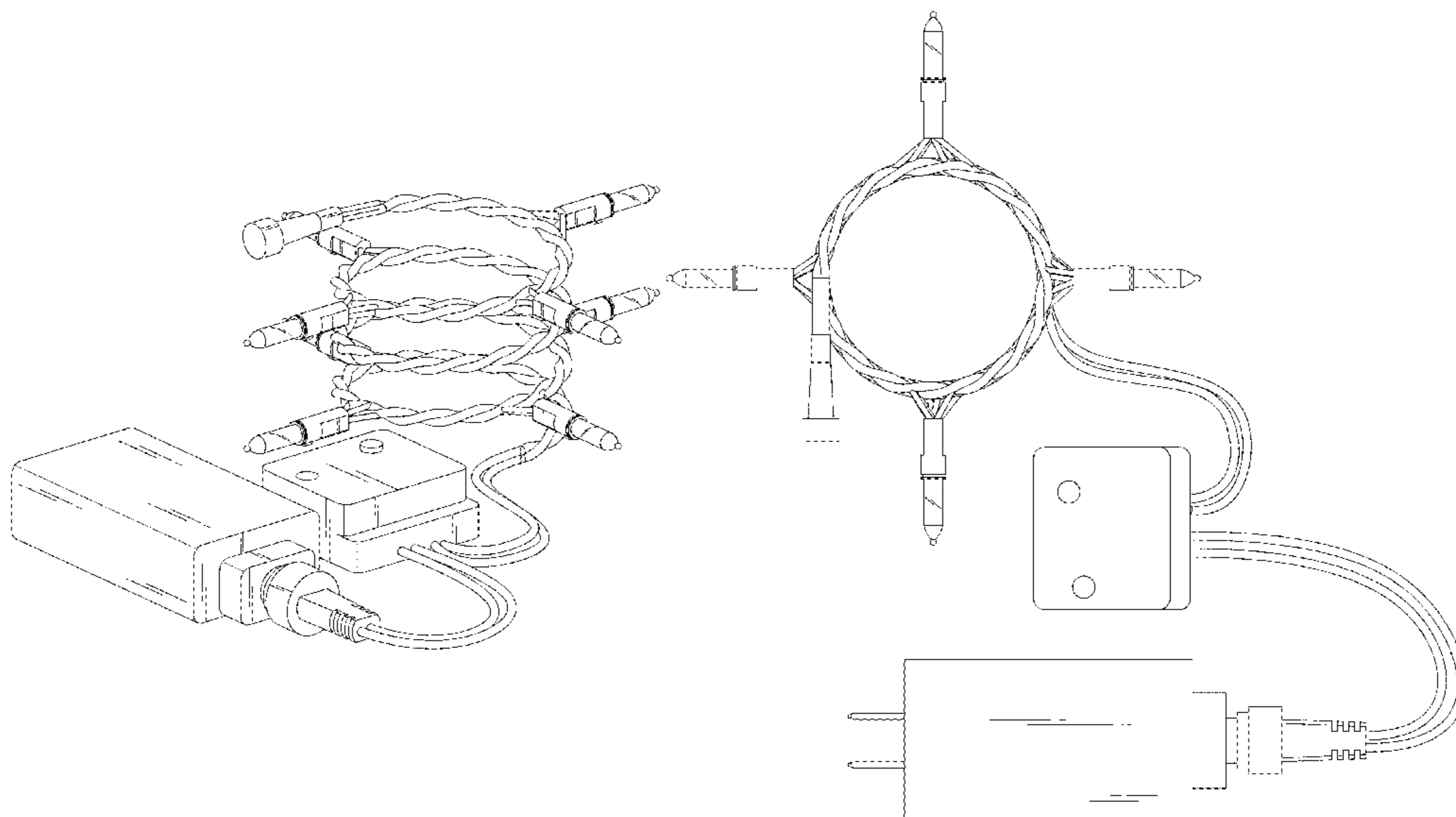
(57) **CLAIM**

The ornamental design for a light with control box, as shown and described.

DESCRIPTION

FIG. 1 is a perspective view of a light with control box showing my new design;
FIG. 2 is a top view thereof;
FIG. 3 is a left side view thereof;
FIG. 4 is a front view thereof;
FIG. 5 is a right side view thereof;
FIG. 6 is a back view thereof; and,
FIG. 7 is a bottom view thereof.

1 Claim, 7 Drawing Sheets



(56)

References Cited

U.S. PATENT DOCUMENTS

D919,131 S * 5/2021 Yang F21S 8/00
 D26/25
 D924,449 S * 7/2021 Zhang H01R 33/09
 D26/25
 D927,736 S * 8/2021 Wang H01R 33/09
 D26/4
 2005/0207179 A1* 9/2005 Pan F21V 23/0407
 362/654
 2006/0256569 A1* 11/2006 Pan F21S 4/10
 362/437
 2007/0081333 A1* 4/2007 Gibboney F21S 8/00
 362/249.16
 2008/0180952 A1* 7/2008 Huang F21V 19/0005
 362/293
 2008/0198629 A1* 8/2008 Lee H01R 33/09
 362/654
 2009/0046481 A1* 2/2009 Li F21V 19/0005
 362/653
 2013/0163250 A1* 6/2013 Chen H01R 4/242
 362/249.06
 2014/0218925 A1* 8/2014 Han F21V 23/06
 362/249.14

2015/0077999 A1* 3/2015 Chen F21S 4/10
 362/249.08
 2015/0211726 A1* 7/2015 Wu Lee F21K 9/20
 362/645
 2015/0338036 A1* 11/2015 Han F21S 4/10
 362/249.08
 2016/0123566 A1* 5/2016 Leung F21V 23/00
 362/249.06
 2018/0187843 A1* 7/2018 Wei F21S 4/10

FOREIGN PATENT DOCUMENTS

EM 008321921-0006 * 12/2020
 GB 9008321921-0003 * 12/2020
 GB 9008321921-0006 * 12/2020

OTHER PUBLICATIONS

ASENEK Christmas Lights, Nov. 15, 2017, Amazon.com, site visited Oct. 1, 2021, url: <https://www.amazon.com/dp/B077GV5566> (Year: 2017).*
 YULETIME Warm White Christmas Lights, Jul. 15, 2019, Amazon.com, site visited Oct. 4, 2021, url: <https://www.amazon.com/dp/B08SHBZ6MM/> (Year: 2019).*

* cited by examiner

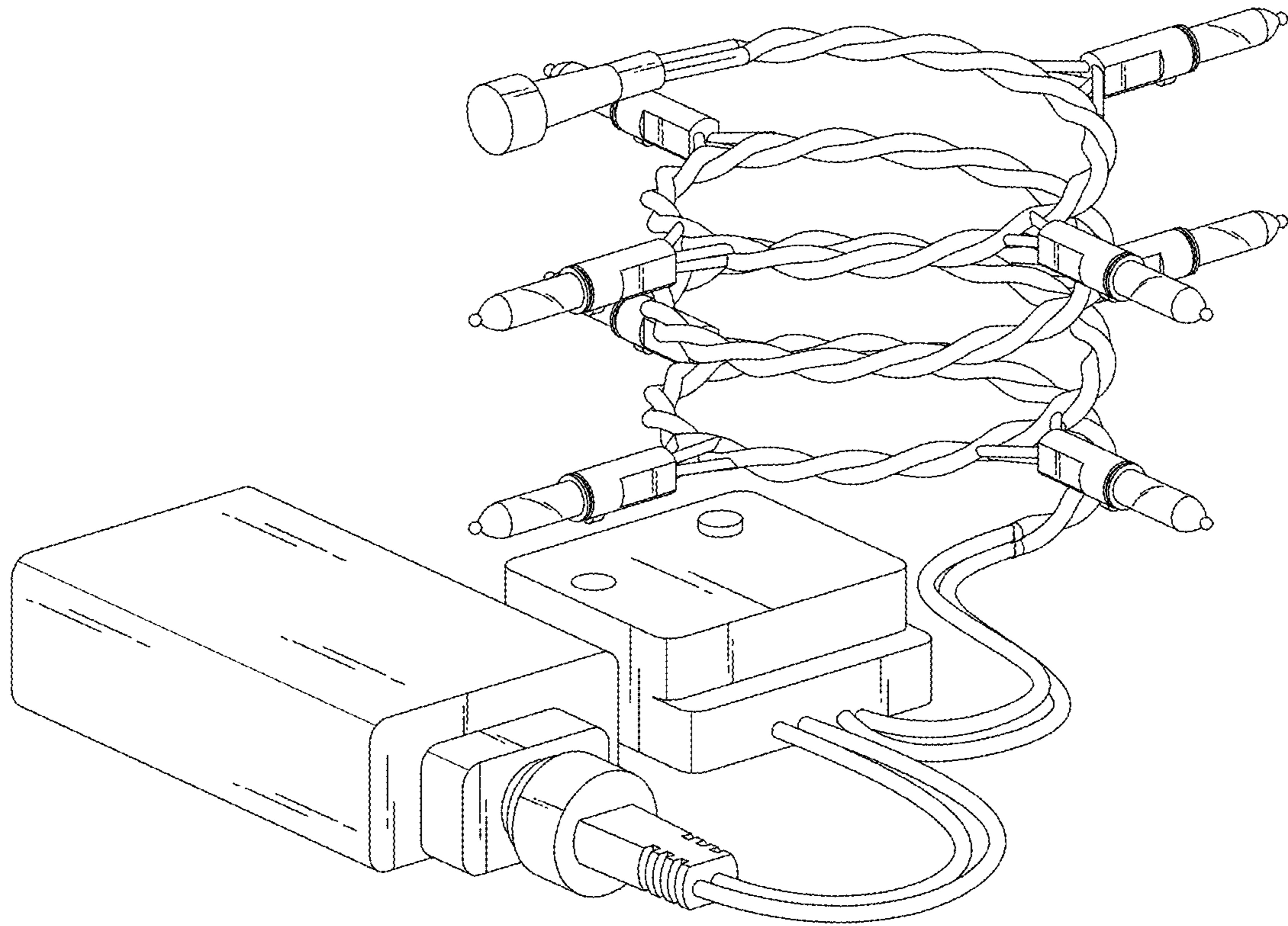


FIG.1

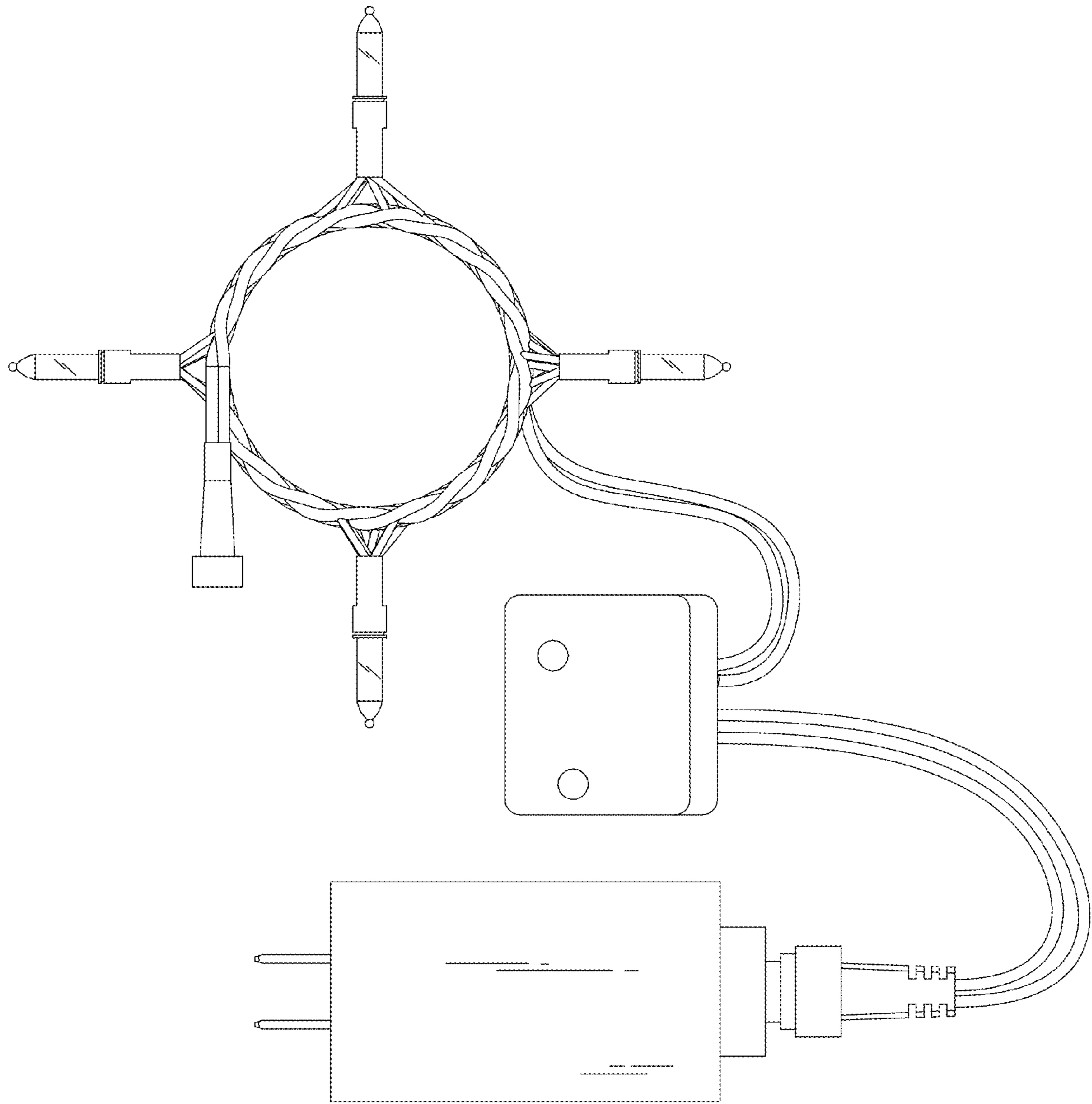


FIG. 2

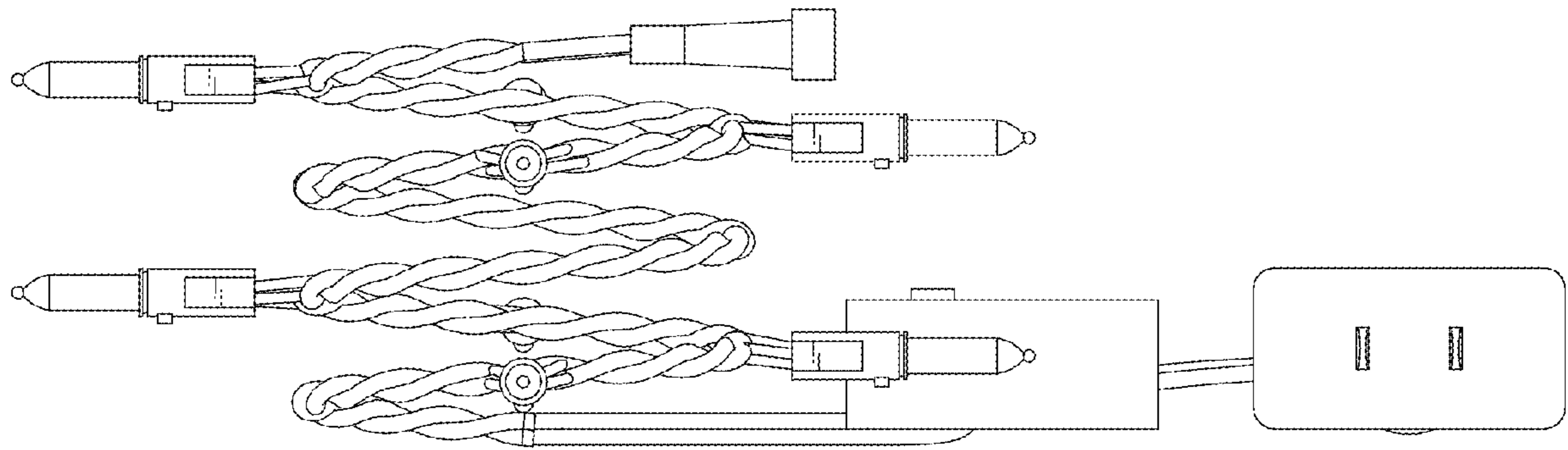


FIG. 3

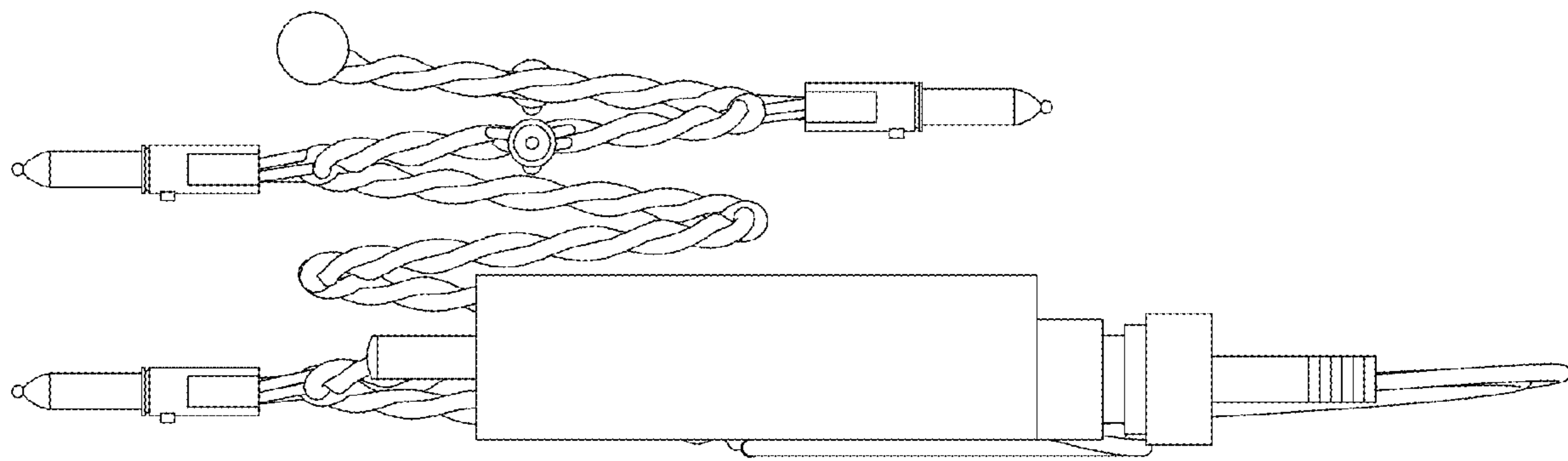


FIG. 4

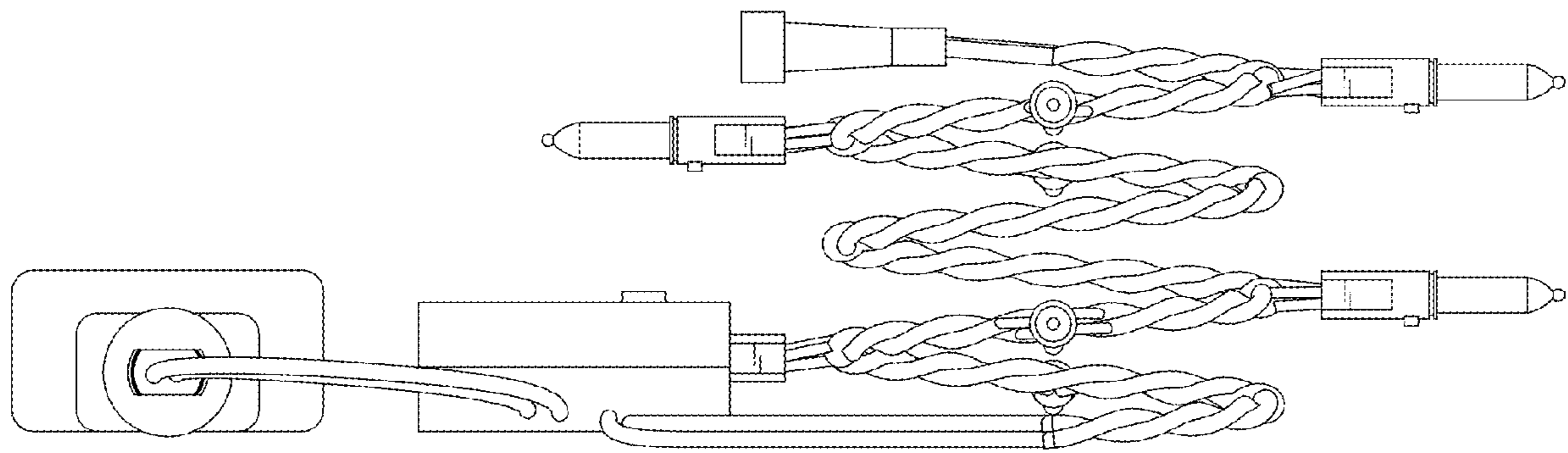


FIG.5

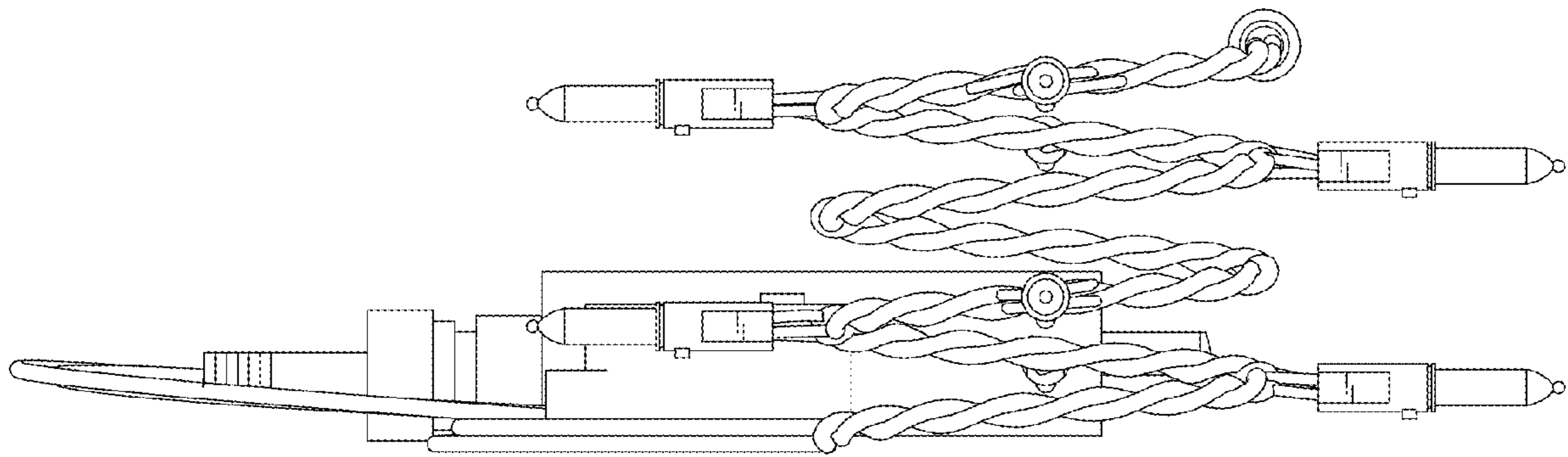


FIG.6

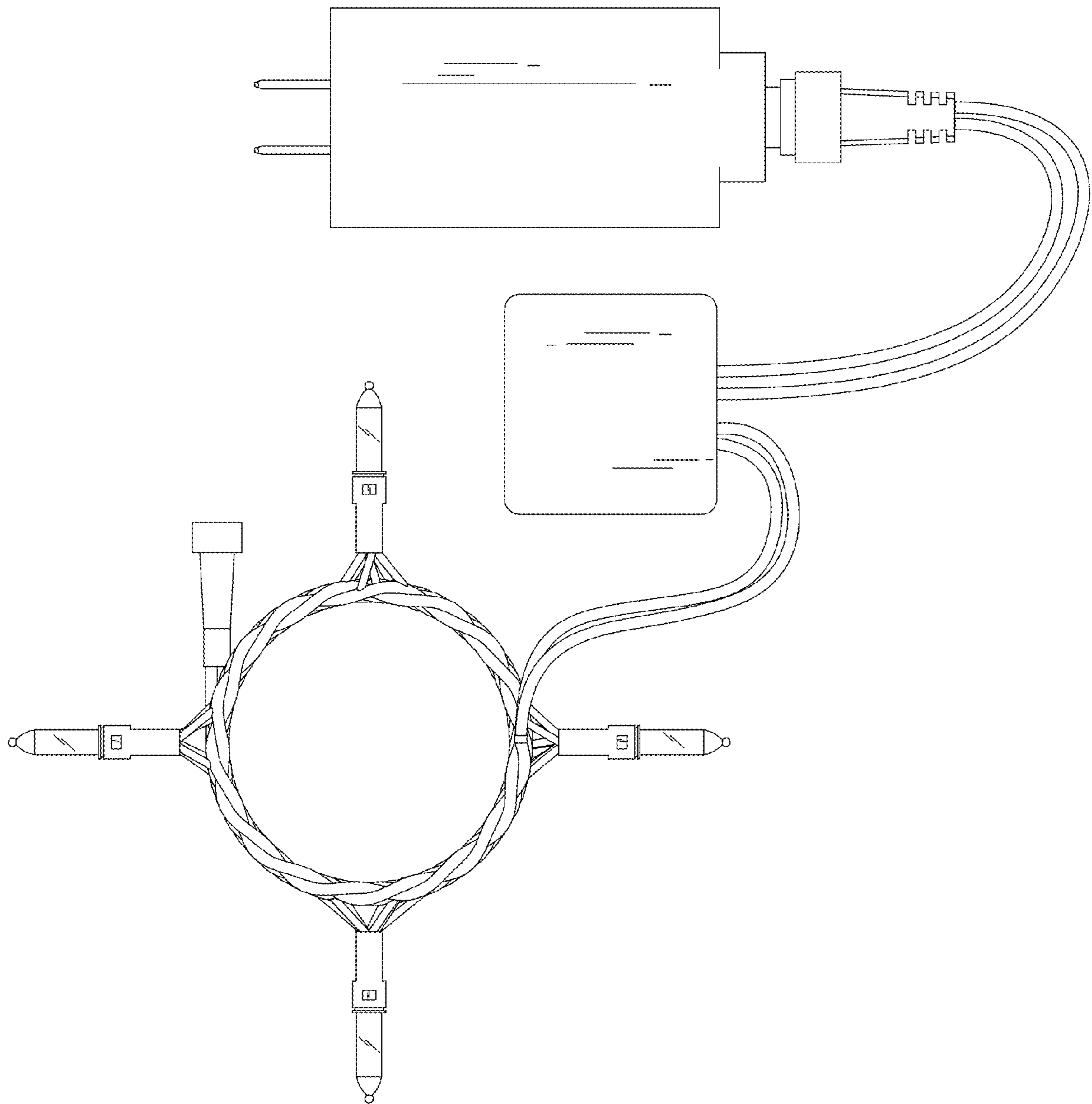


FIG. 7