



US00D947420S

(12) **United States Design Patent** (10) **Patent No.:** **US D947,420 S**
Jiang (45) **Date of Patent:** **** Mar. 29, 2022**

(54) **PORTION OF LIGHT BULB**

(56) **References Cited**

(71) Applicant: **JIAXING SUPER LIGHTING ELECTRIC APPLIANCE CO., LTD,**
Zhejiang (CN)

U.S. PATENT DOCUMENTS

D422,099 S * 3/2000 Kracke D26/2
D548,369 S * 8/2007 Bembridge D26/2
D908,251 S * 1/2021 Chen D26/2

(72) Inventor: **Tao Jiang,** Zhejiang (CN)

* cited by examiner

(73) Assignee: **JIAXING SUPER LIGHTING ELECTRIC APPLIANCE CO., LTD,**
Zhejiang (CN)

Primary Examiner — Marcus A Jackson
(74) *Attorney, Agent, or Firm* — Andrew M. Calderon;
Roberts Calderon Safran & Cole, P.C.

(**) Term: **15 Years**

(57) **CLAIM**

(21) Appl. No.: **29/800,451**

The ornamental design for a portion of light bulb, as shown and described.

(22) Filed: **Jul. 21, 2021**

DESCRIPTION

Related U.S. Application Data

(62) Division of application No. 29/733,233, filed on Apr. 30, 2020.

FIG. 1 is a perspective view of a first embodiment of a portion of a light bulb showing my new design;
FIG. 2 is a front elevational view of FIG. 1;
FIG. 3 is a rear elevational view of FIG. 1;
FIG. 4 is a left side elevational view of FIG. 1;
FIG. 5 is a right side elevational view of FIG. 1;
FIG. 6 is a top elevational view of FIG. 1;
FIG. 7 is a bottom elevational view of FIG. 1;
FIG. 8 is a perspective view of a second embodiment thereof;
FIG. 9 is a front elevational view of FIG. 8;
FIG. 10 is a rear elevational view of FIG. 8;
FIG. 11 is a left side elevational view of FIG. 8;
FIG. 12 is a right side elevational view of FIG. 8;
FIG. 13 is a top elevational view of FIG. 8; and,
FIG. 14 is a bottom elevational view of FIG. 8.
The broken lines in the drawings are for illustrative purposes and represent environmental structure and unclaimed portions of the portion of the light bulb and therefore form no part of the claimed design.

(30) **Foreign Application Priority Data**

Dec. 25, 2019 (CN) 201930726614.1
Apr. 16, 2020 (CN) 202030152412.3

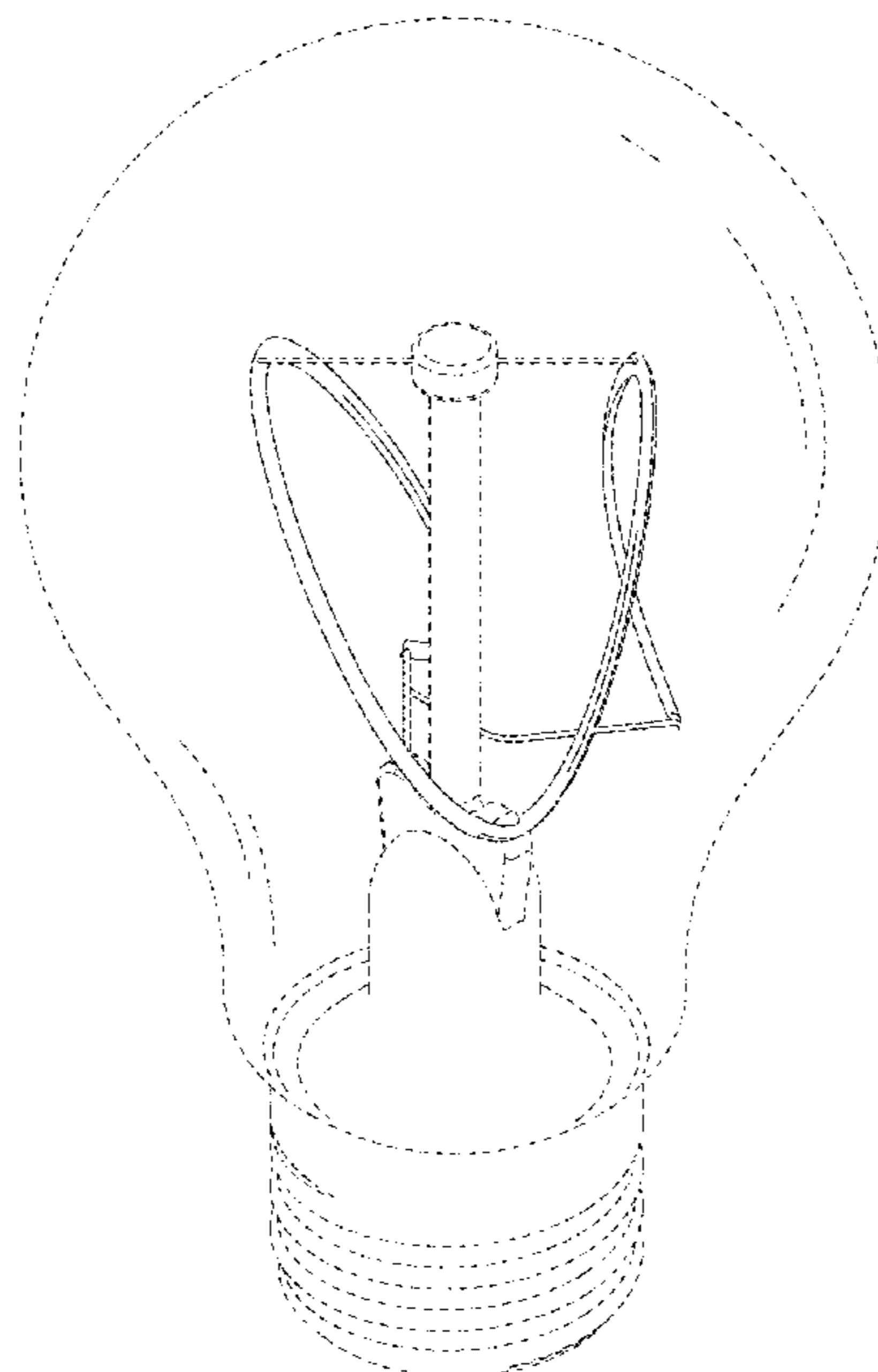
(51) **LOC (13) Cl.** **26-04**

(52) **U.S. Cl.**
USPC **D26/2**

(58) **Field of Classification Search**
USPC D26/1-4
CPC H01R 5/00; H01R 13/46; H01R 13/514;
H01R 31/02; H01R 31/048; H01J 5/00;
H01J 5/16; H01J 1/02; H01J 15/00; H01J
5/48; H01J 5/50; H01J 19/54; F21V 5/00;
F21K 9/00; F21K 13/00

See application file for complete search history.

1 Claim, 12 Drawing Sheets



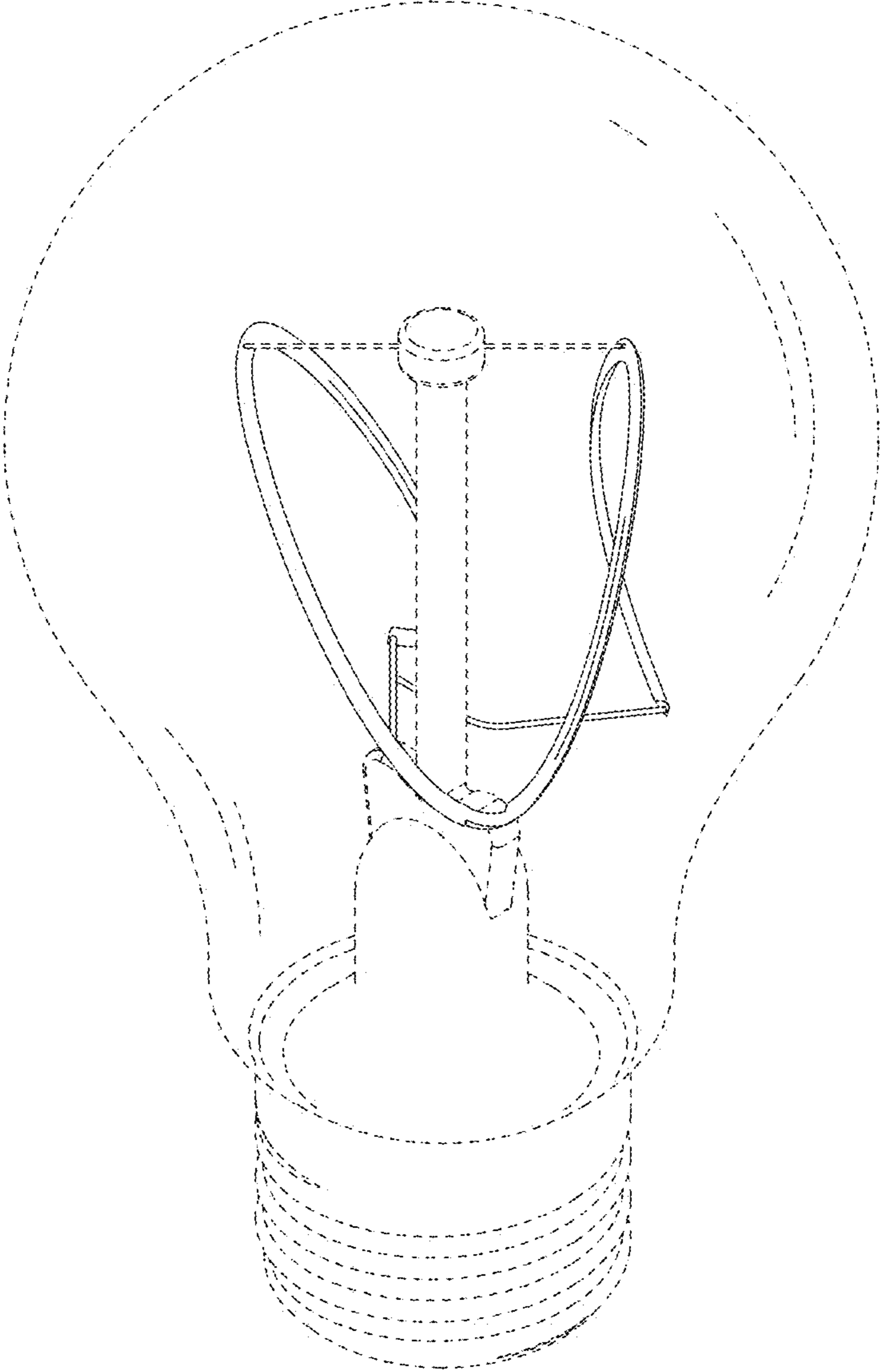


FIG. 1

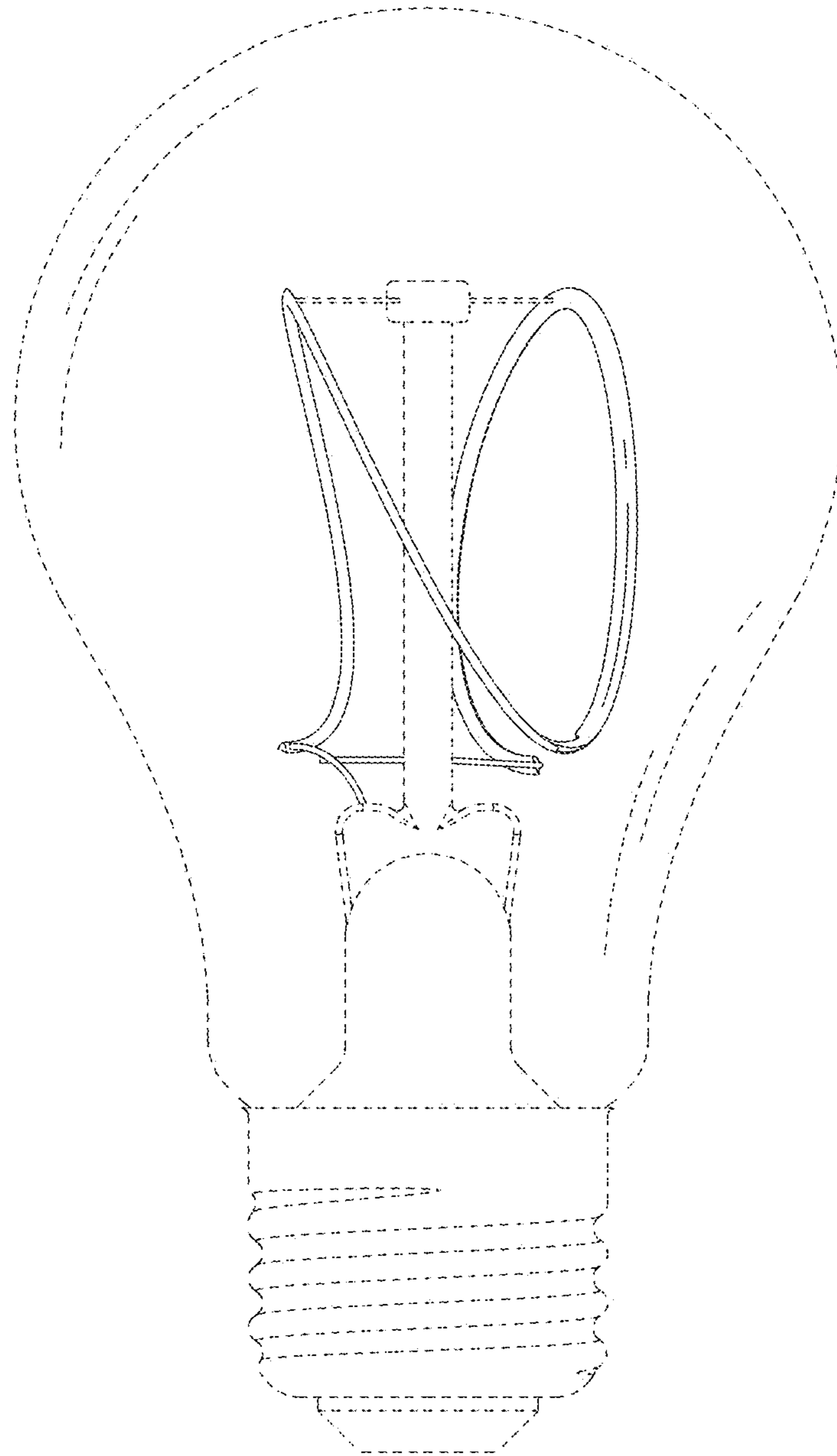


FIG. 2

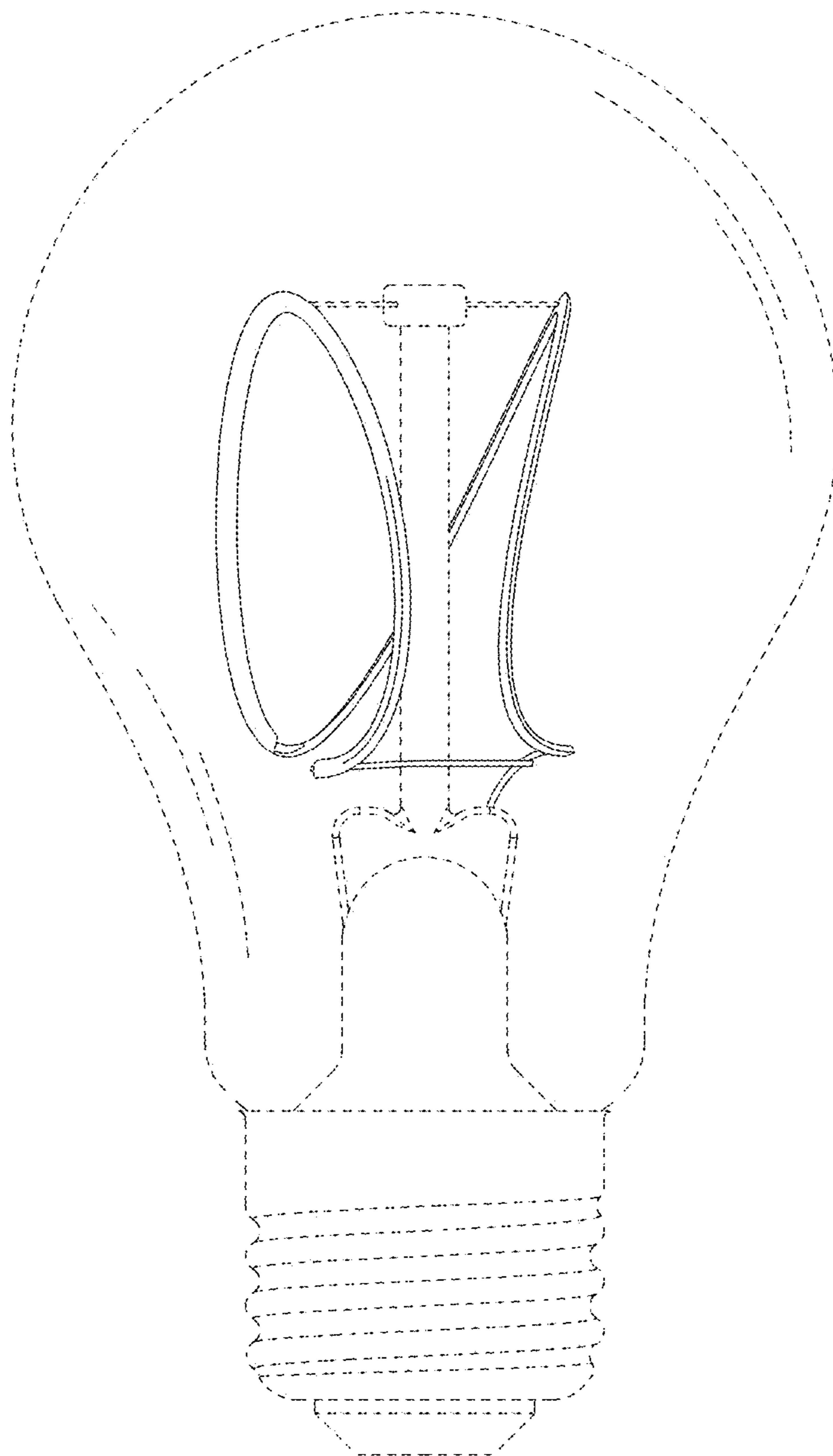


FIG. 3

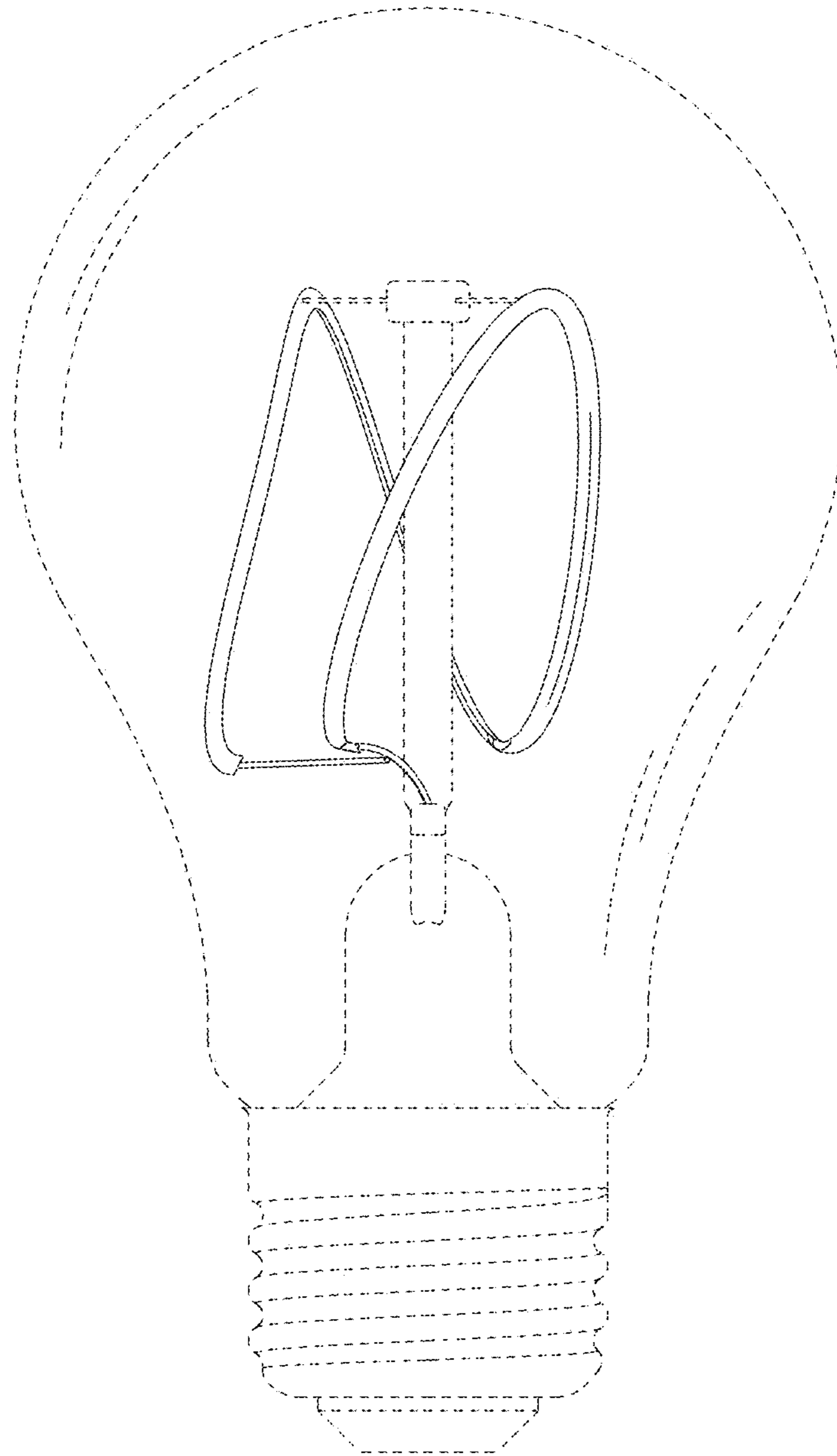


FIG. 4

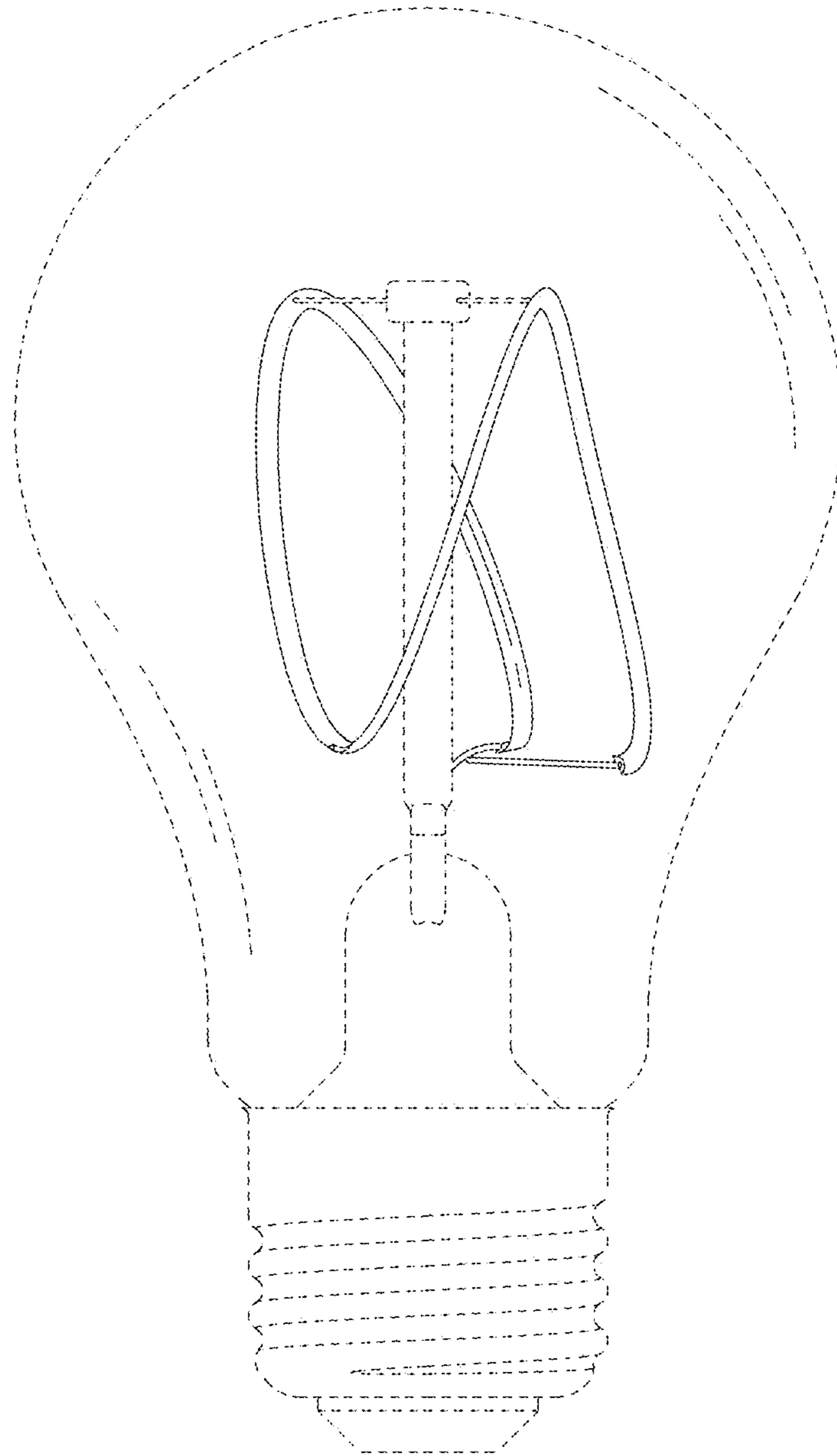


FIG. 5

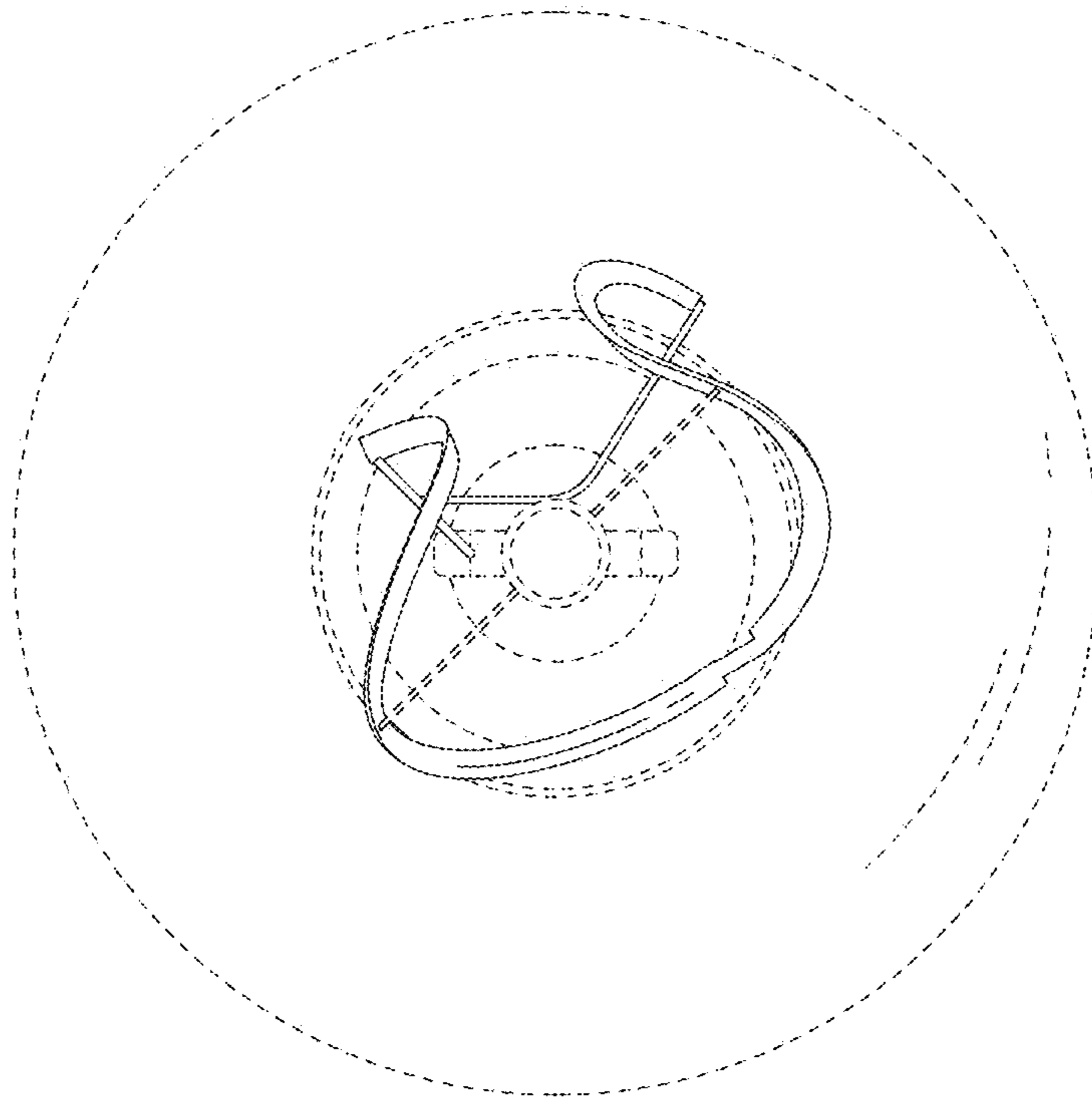


FIG. 6

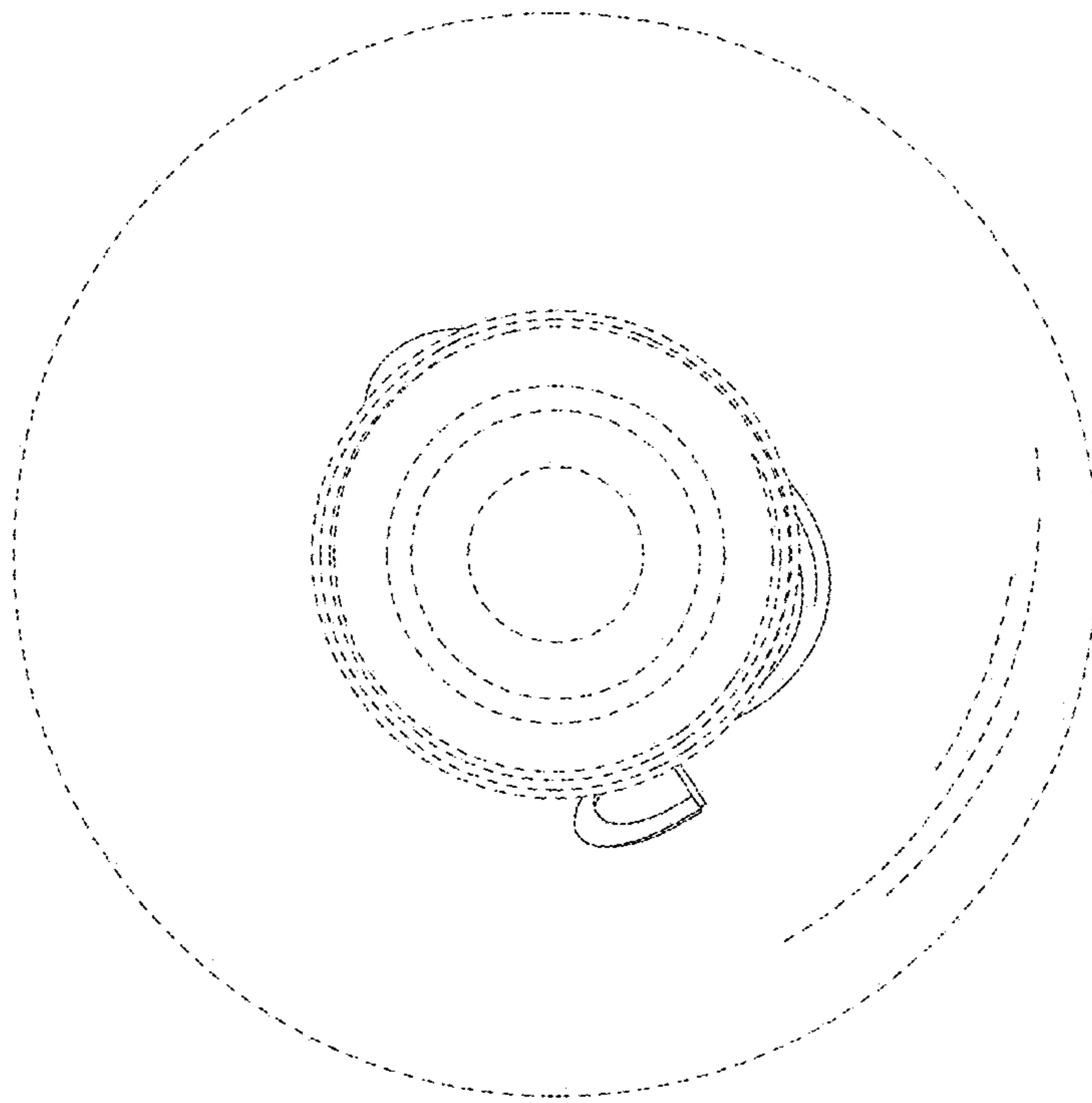


FIG. 7

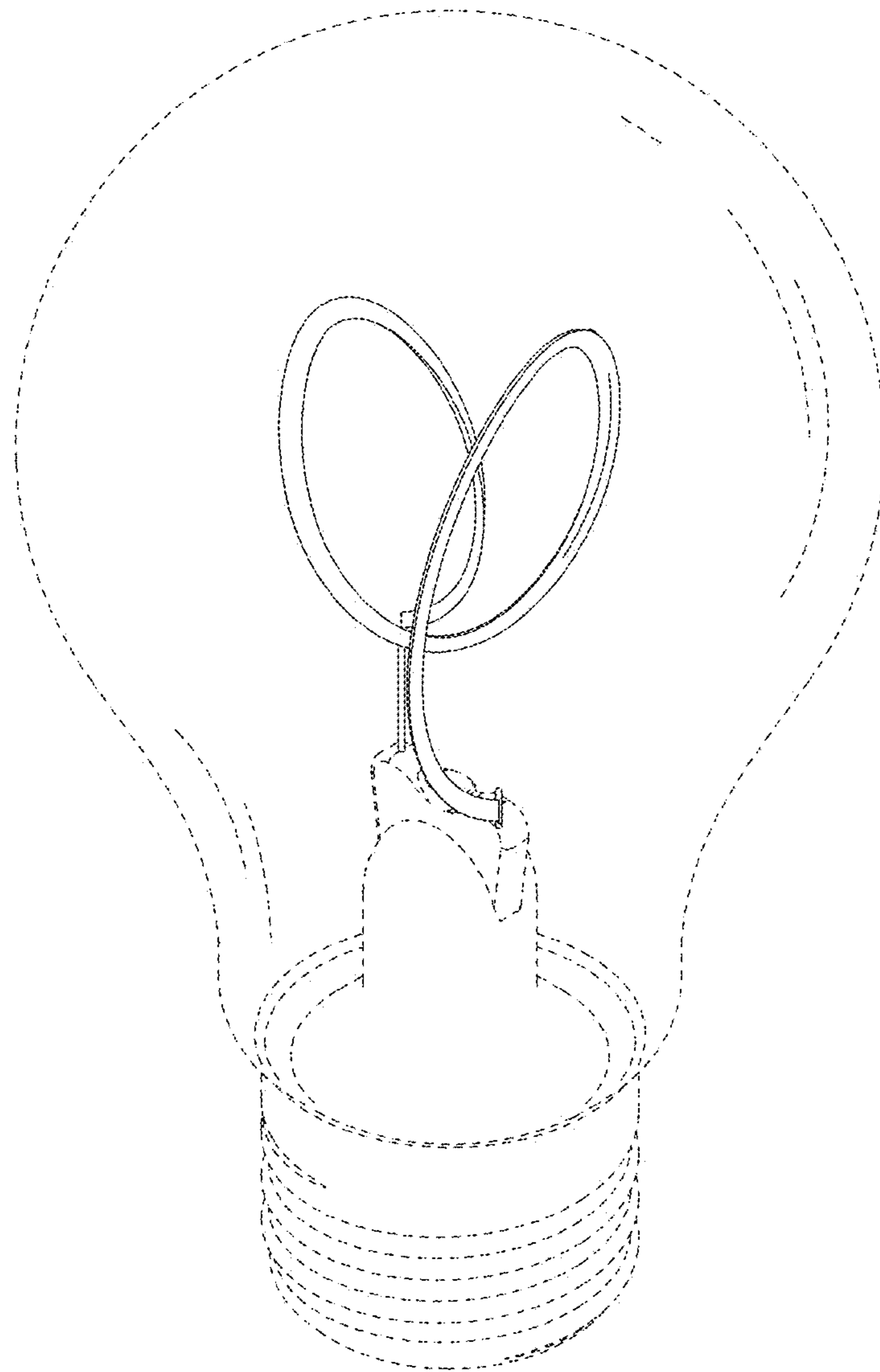


FIG. 8

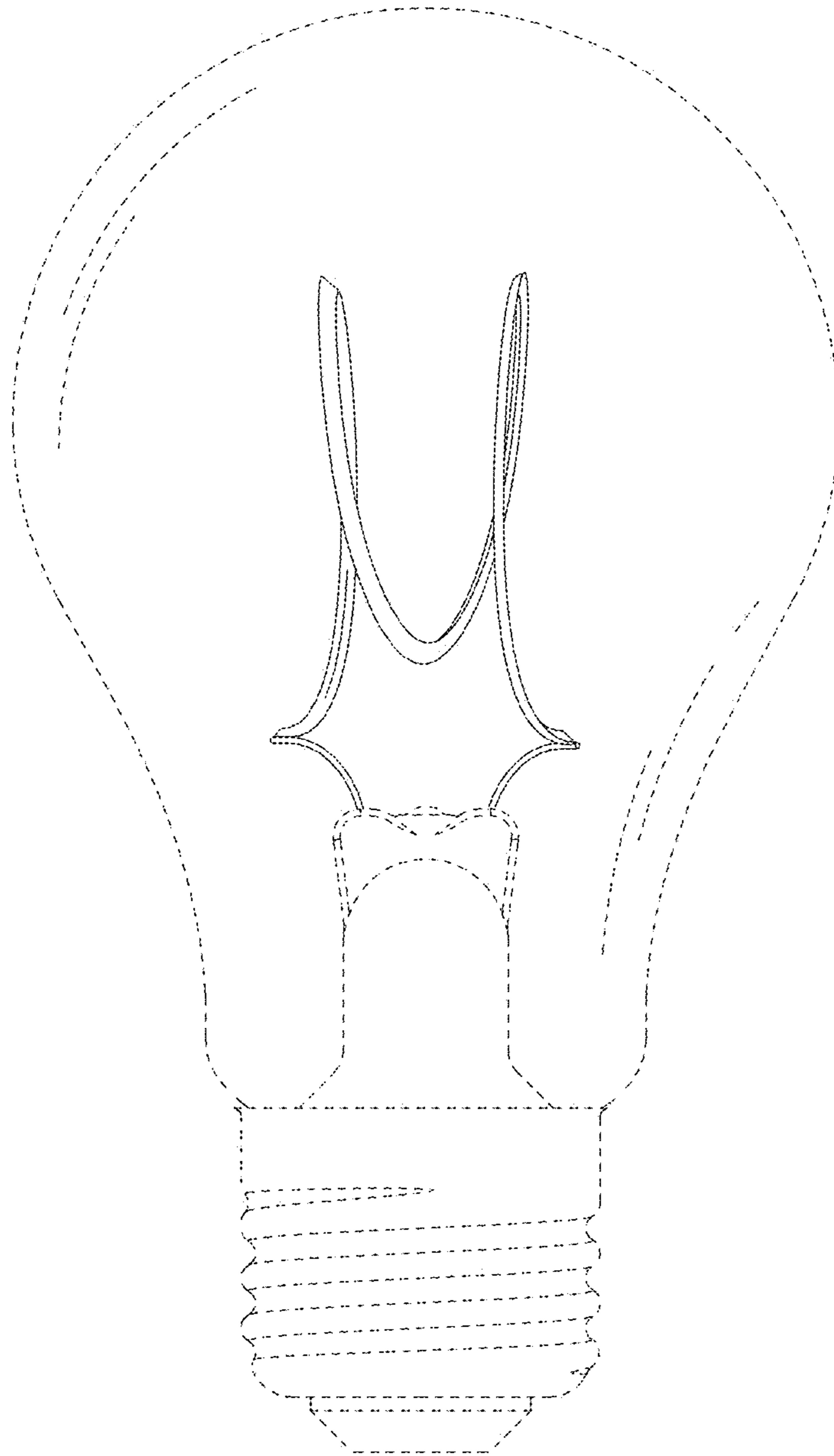


FIG. 9

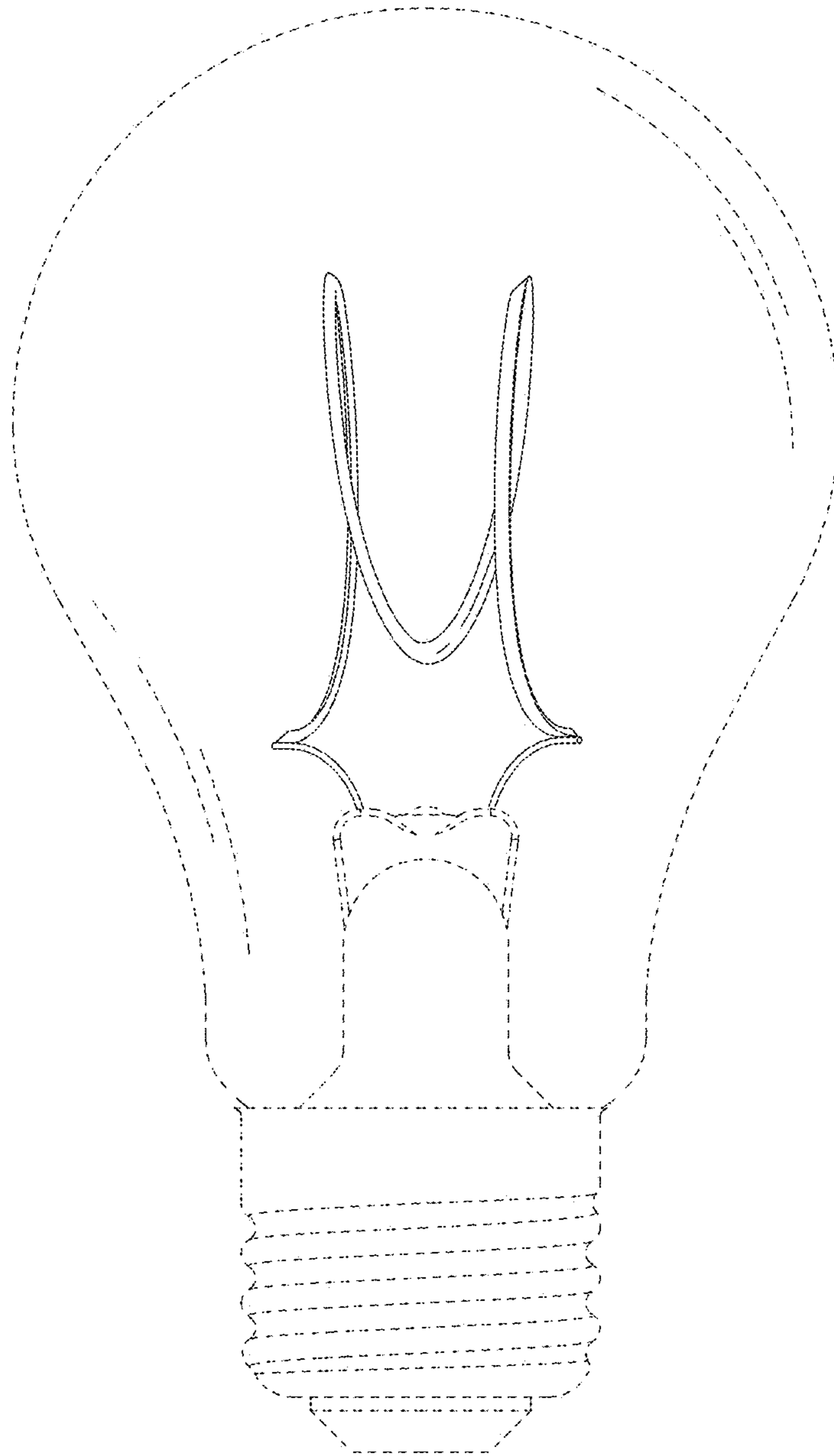


FIG. 10

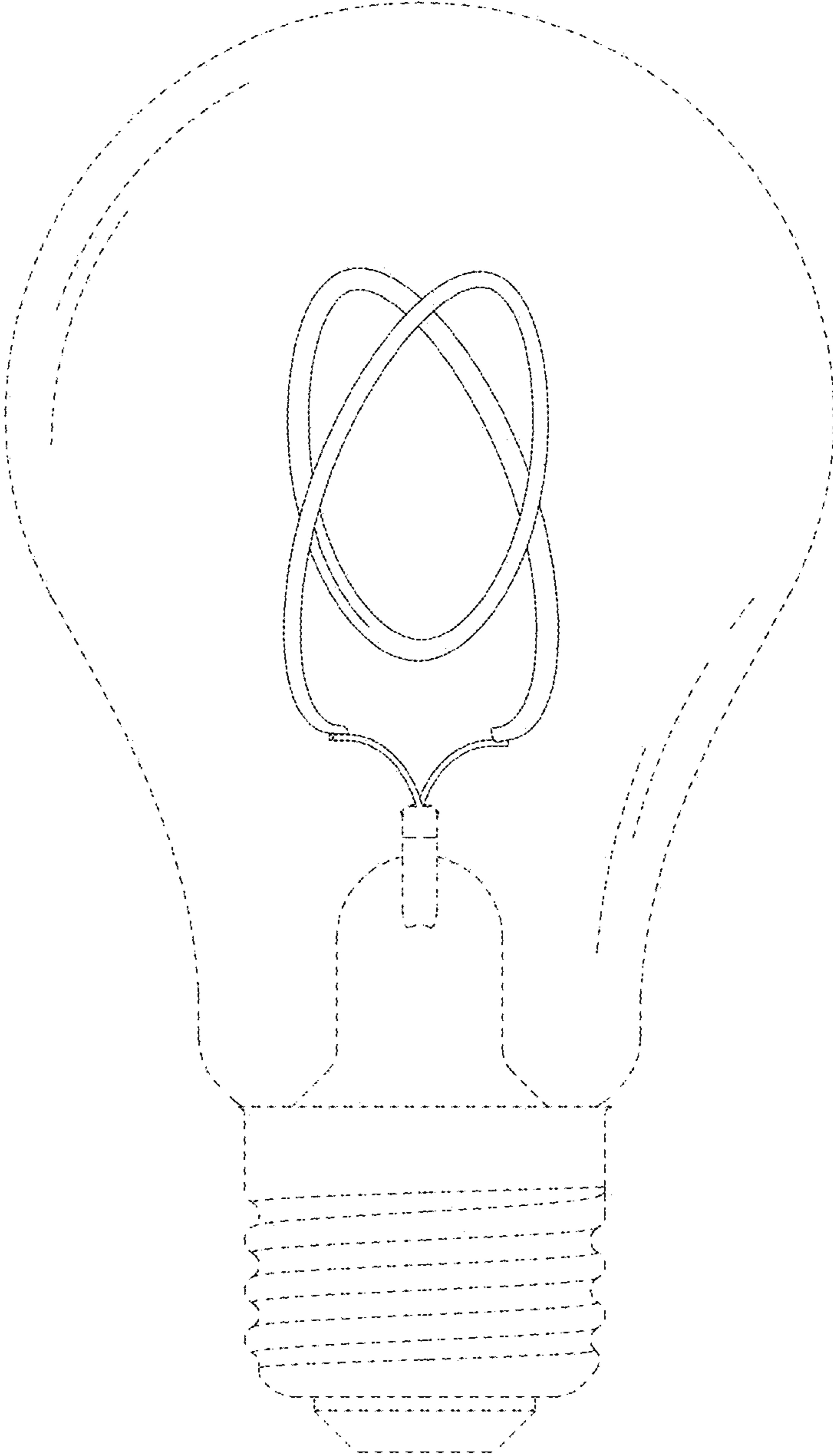


FIG. 11

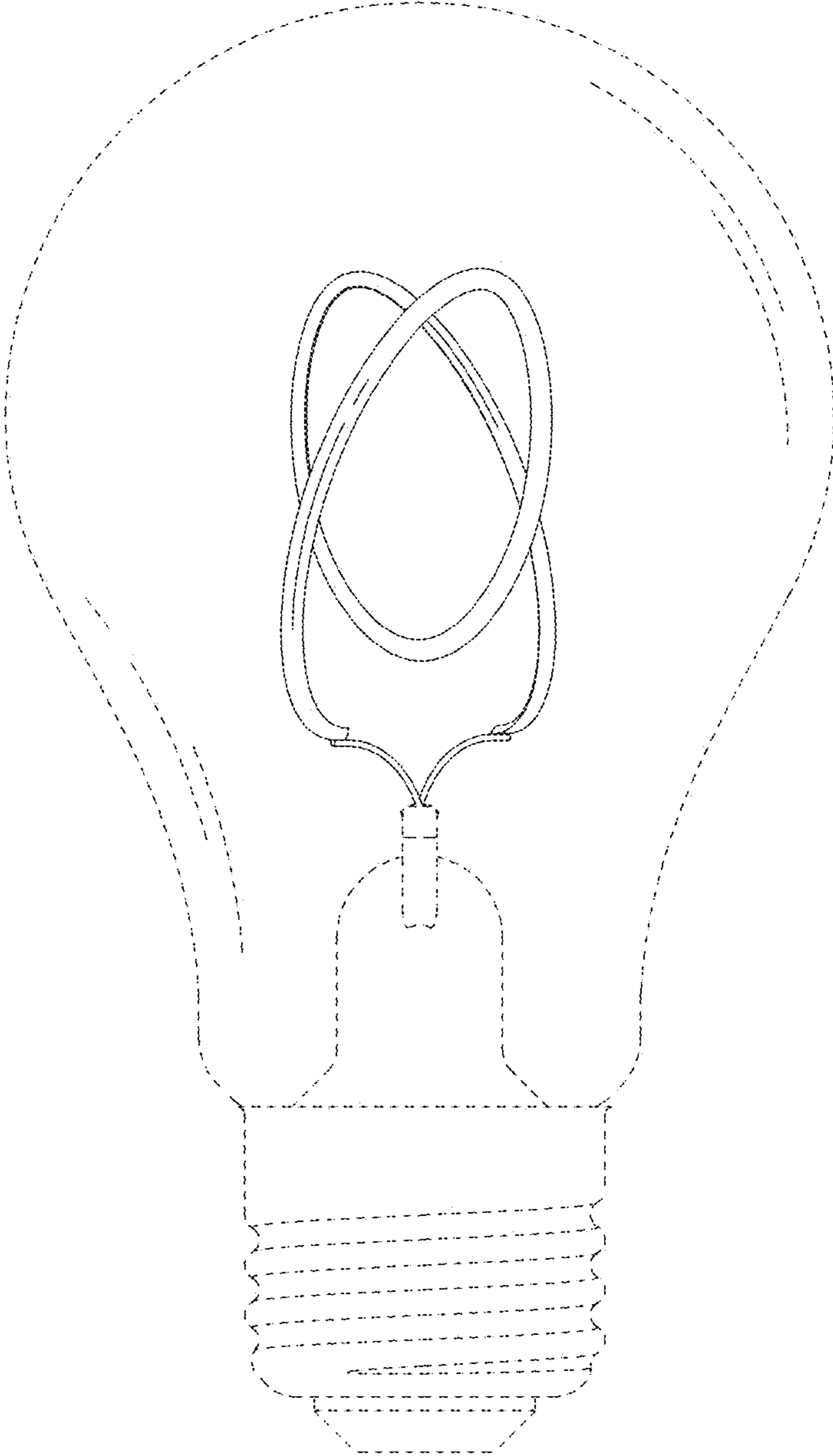


FIG. 12

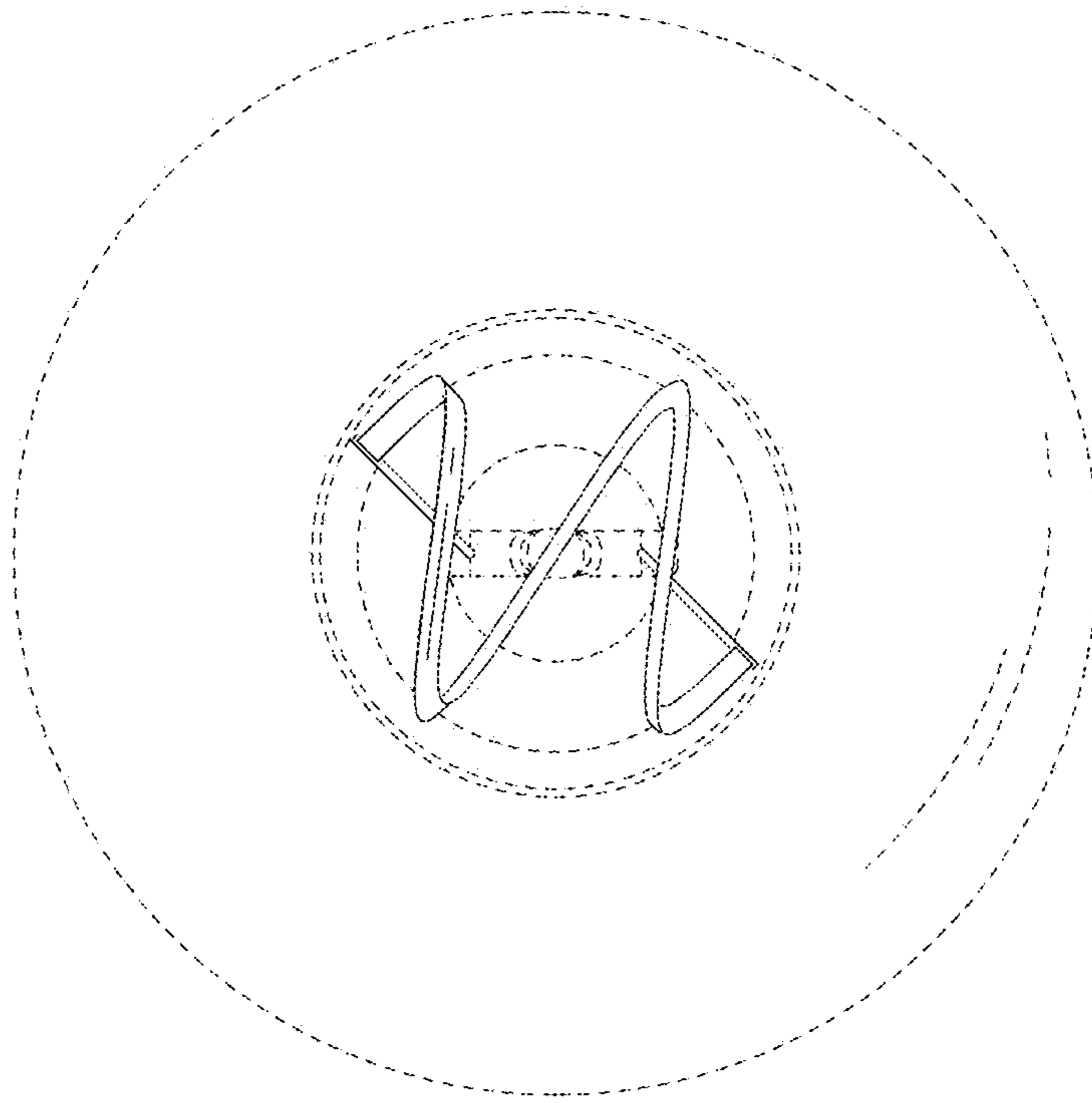


FIG. 13

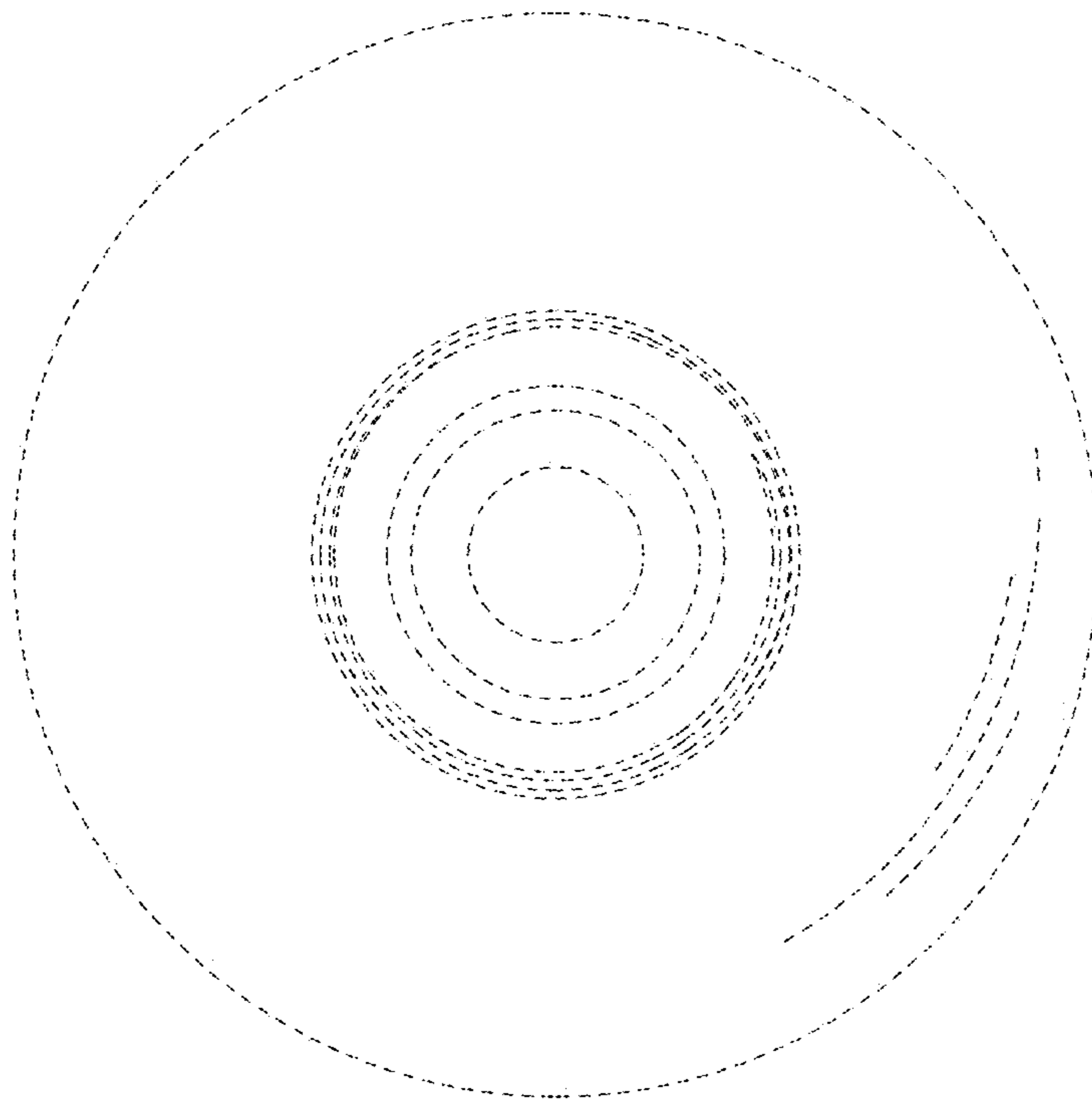


FIG. 14