



US00D947418S

(12) **United States Design Patent**  
**He**

(10) **Patent No.:** **US D947,418 S**

(45) **Date of Patent:** **\*\* Mar. 29, 2022**

(54) **LAMP BEAD**

(71) Applicant: **Shangyou Jiayi Lighting Product Co., Ltd.**, Jiangxi (CN)

(72) Inventor: **Yaowen He**, Jiangxi (CN)

(73) Assignee: **SHANGYOU JIAYI LIGHTING PRODUCT CO., LTD.**, Ganzhou (CN)

(\*\*) Term: **15 Years**

(21) Appl. No.: **29/755,330**

(22) Filed: **Oct. 19, 2020**

(51) **LOC (13) Cl.** ..... **26-04**

(52) **U.S. Cl.**  
USPC ..... **D26/1**

(58) **Field of Classification Search**

USPC ..... D26/1-4  
CPC ..... H01R 5/00; H01R 13/46; H01R 13/514;  
H01R 31/02; H01J 5/00; H01J 5/16;  
H01J 1/02; H01J 15/00; H01J 5/48; H01J  
5/50; H01J 19/54; F21V 5/00; F21K  
9/00; F21K 13/00

See application file for complete search history.

(56) **References Cited**

U.S. PATENT DOCUMENTS

D594,576 S \* 6/2009 Chan ..... D26/1

D663,048 S \* 7/2012 Chen ..... D26/1  
D888,293 S \* 6/2020 Xie ..... D26/25

\* cited by examiner

*Primary Examiner* — Marcus A Jackson

(57) **CLAIM**

The ornamental design for a lamp bead, as shown and described.

**DESCRIPTION**

FIG. 1 is a top, front and right side perspective view of a lamp bead showing my new design, with the wires broken away to indicate indeterminate length;

FIG. 2 is a bottom, rear and left side perspective view thereof;

FIG. 3 is a front elevational view thereof;

FIG. 4 is a rear elevational view thereof;

FIG. 5 is a left side view thereof;

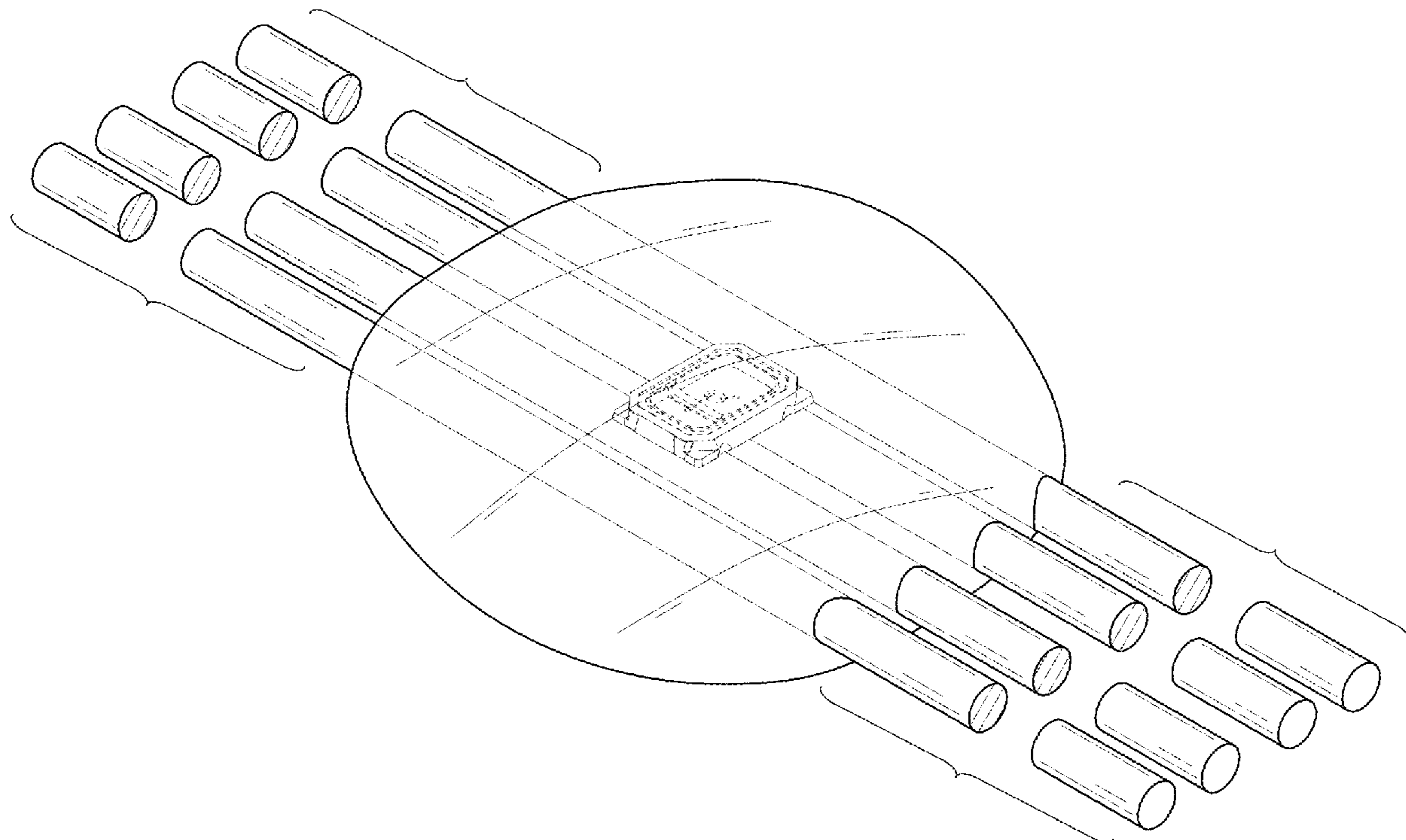
FIG. 6 is a right side view thereof;

FIG. 7 is a top plan view thereof; and,

FIG. 8 is a bottom plan view thereof.

The broken lines in the drawings illustrate portions of the lamp bead which form no part of the claimed design.

**1 Claim, 8 Drawing Sheets**



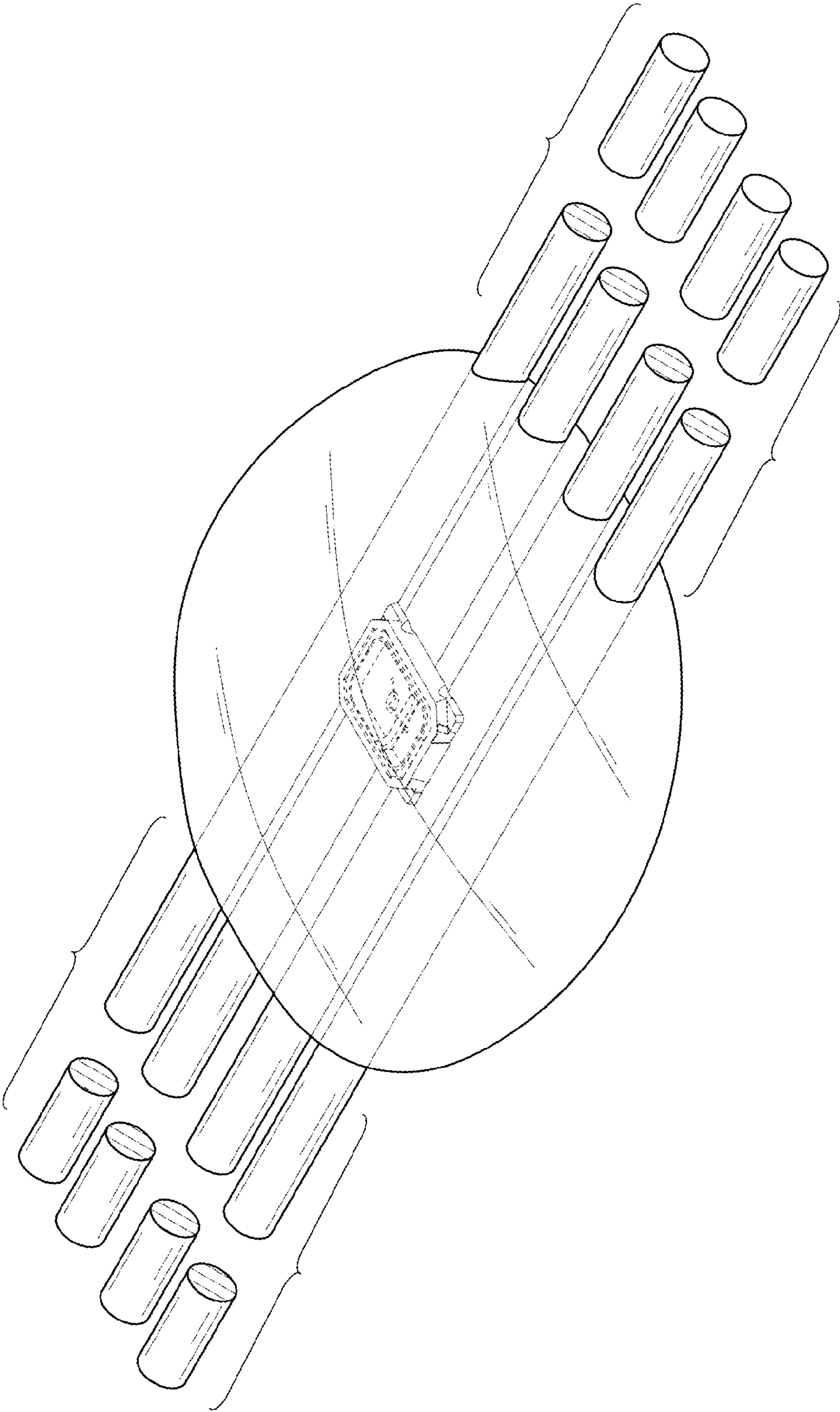


Fig. 1

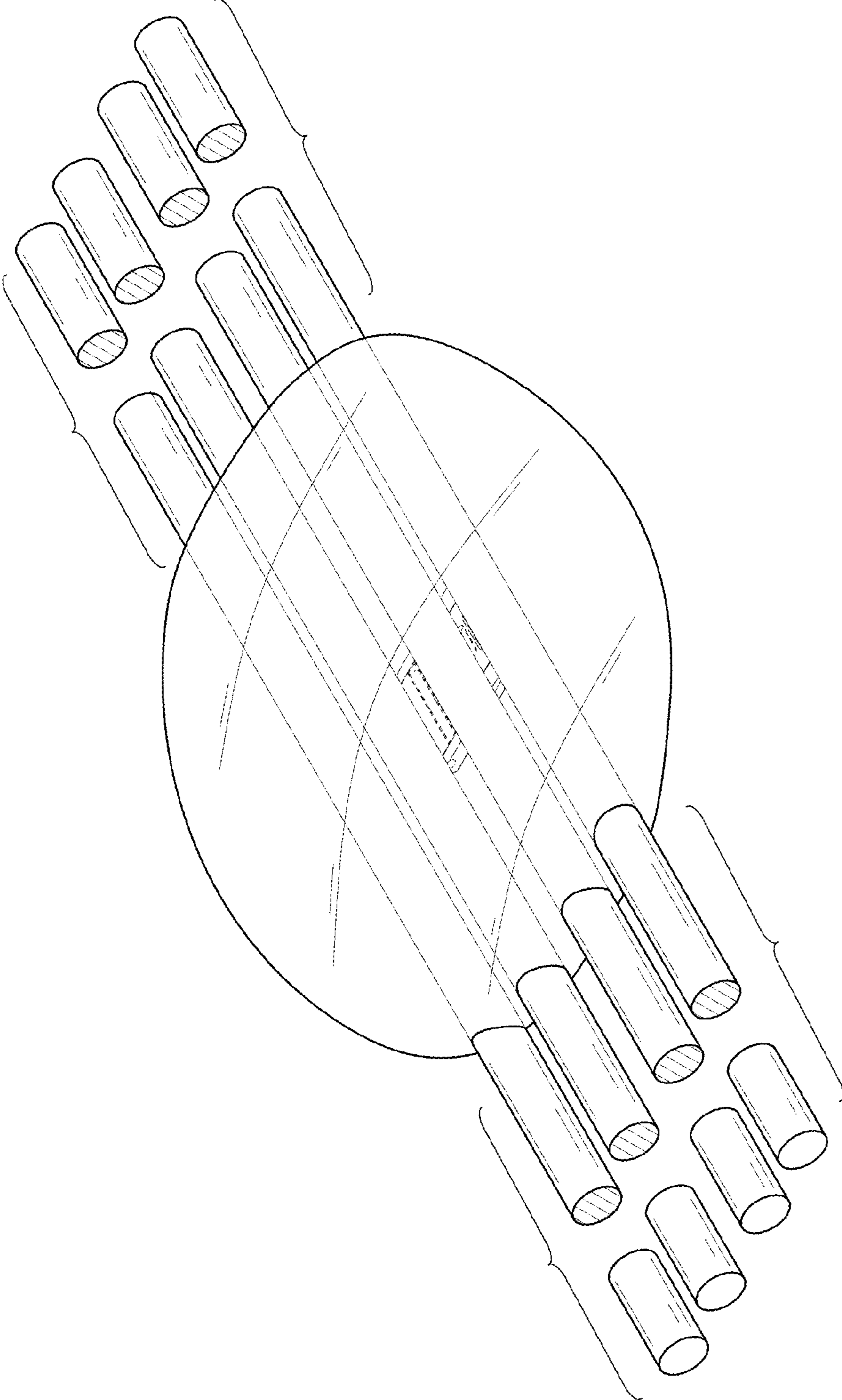


Fig. 2

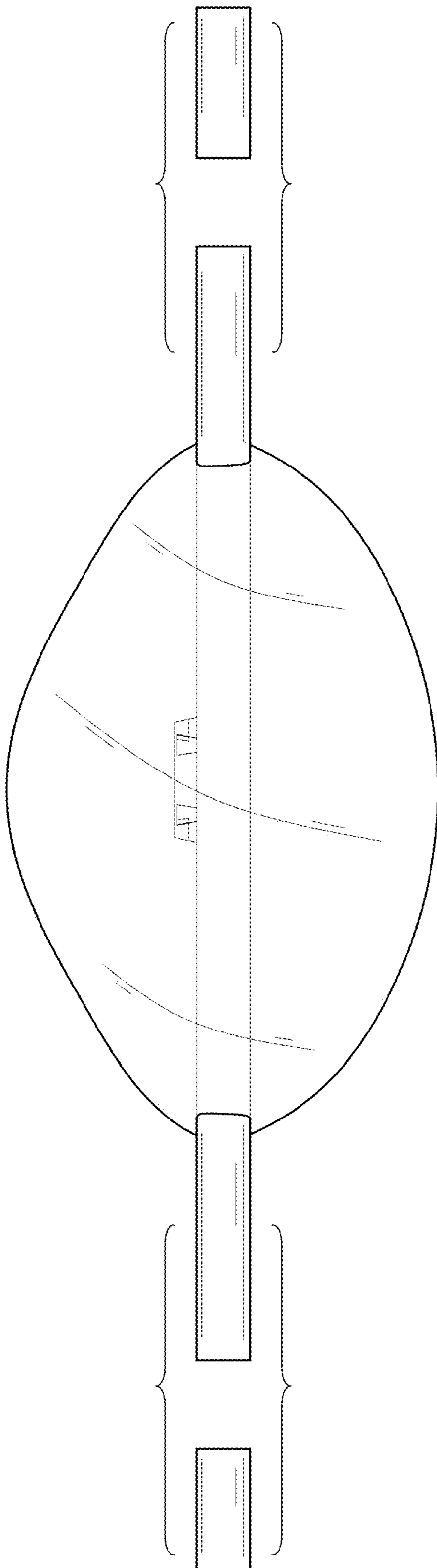


Fig. 3

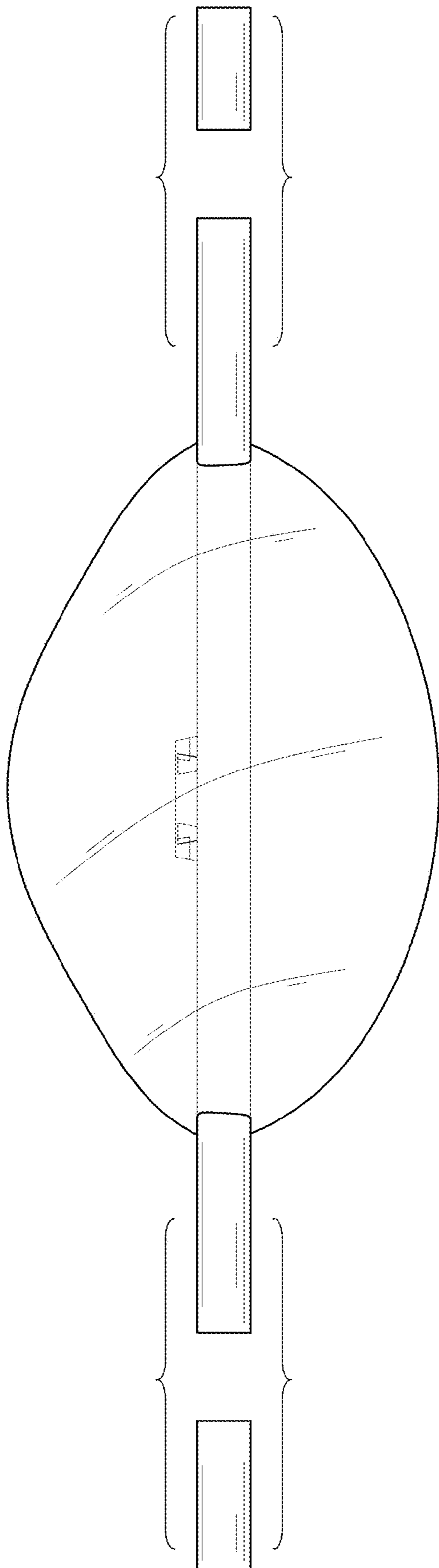


Fig. 4

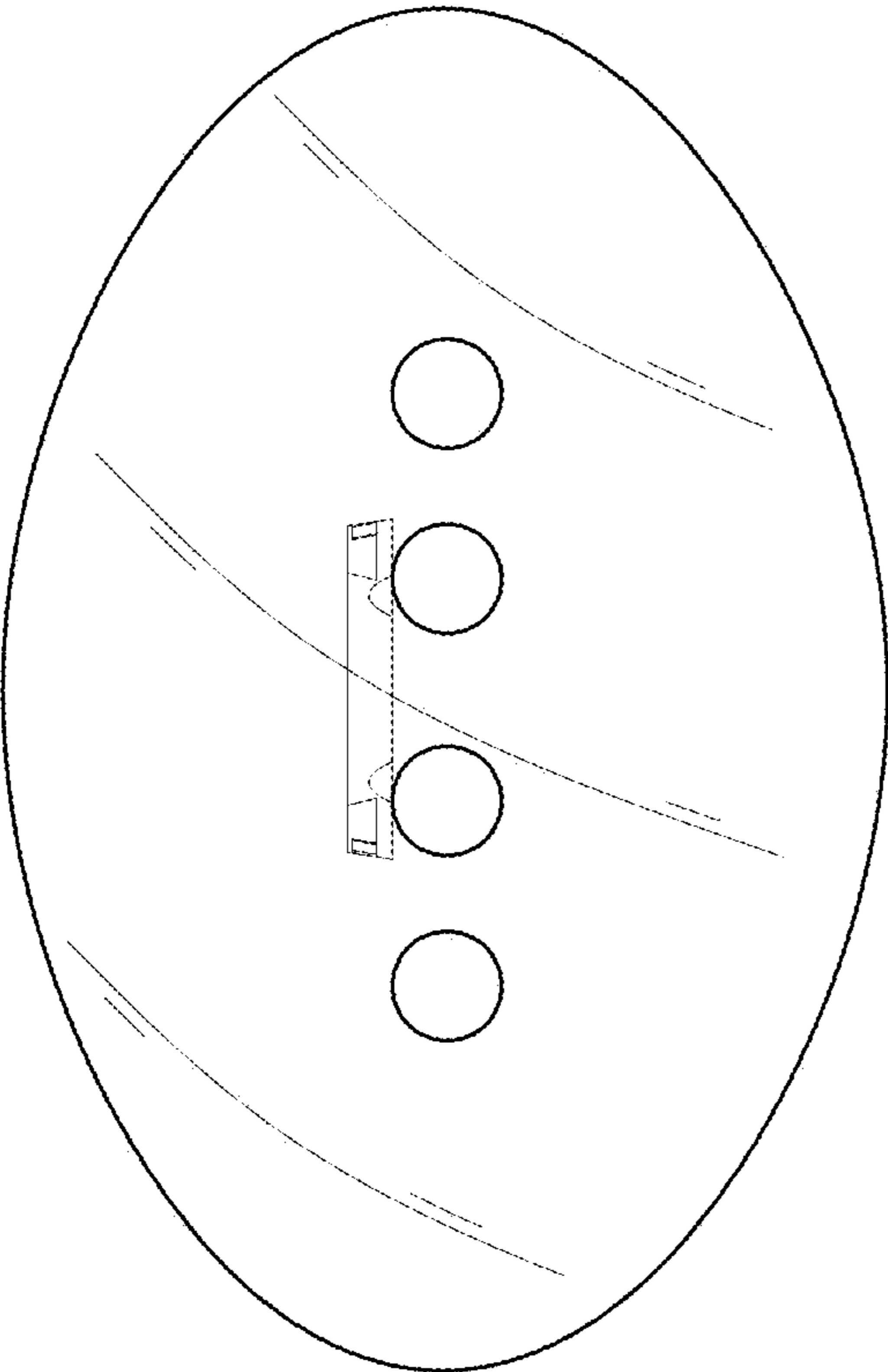


Fig. 5

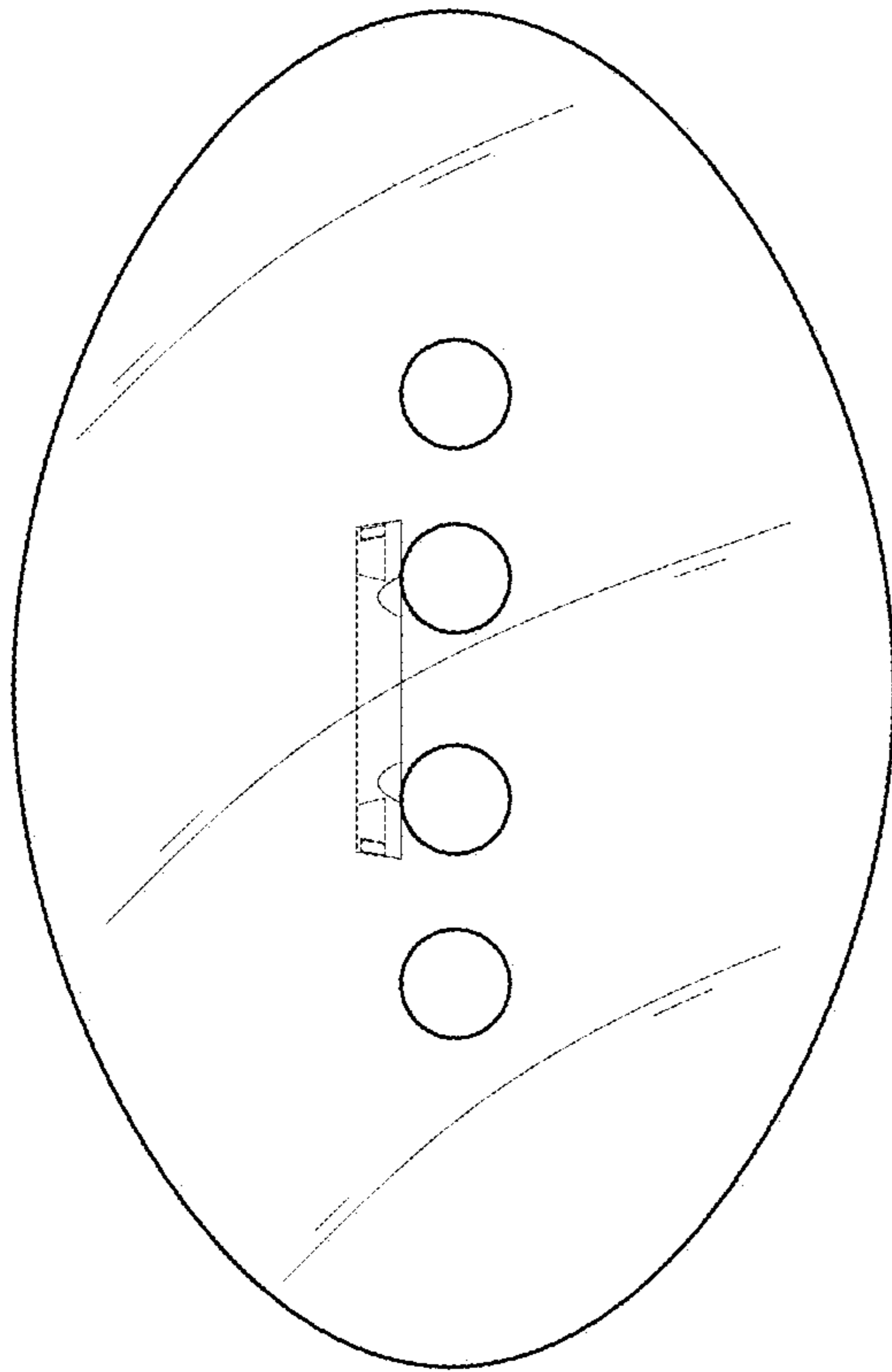


Fig. 6

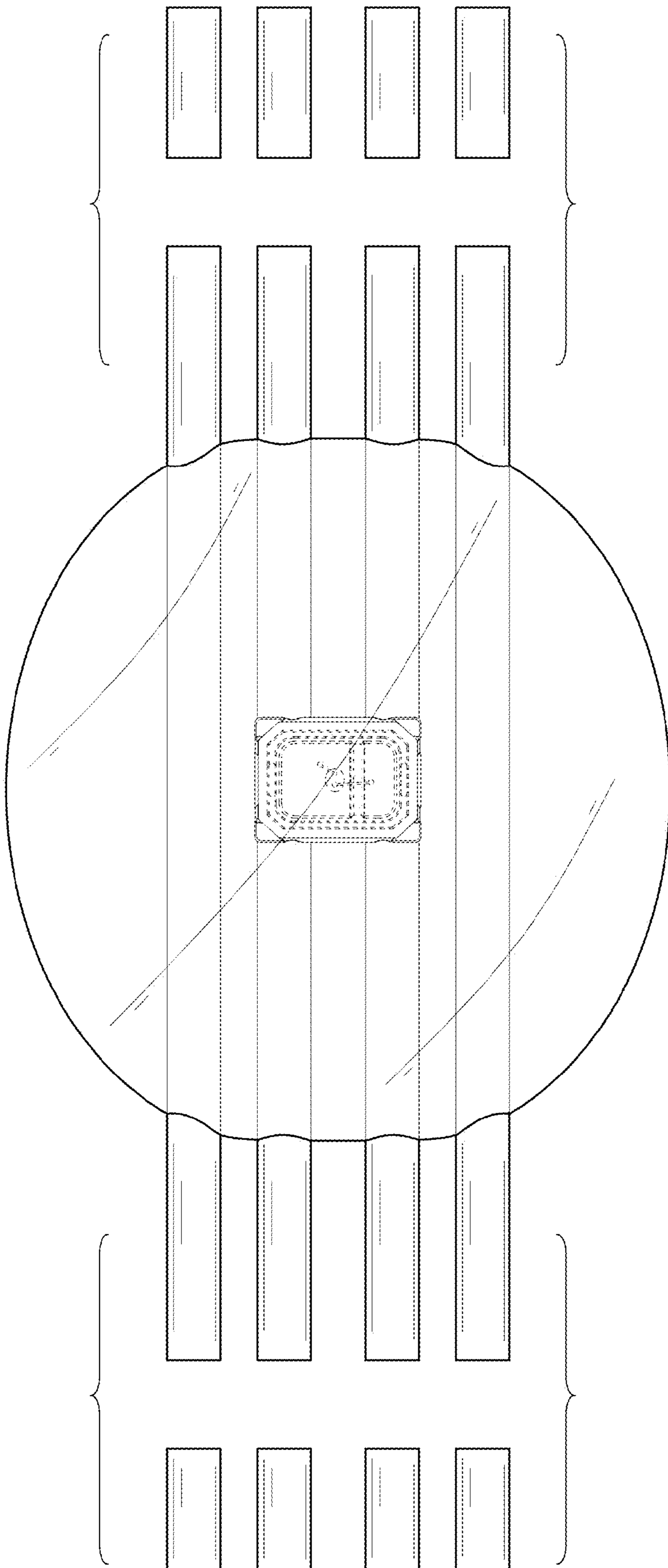


Fig. 7



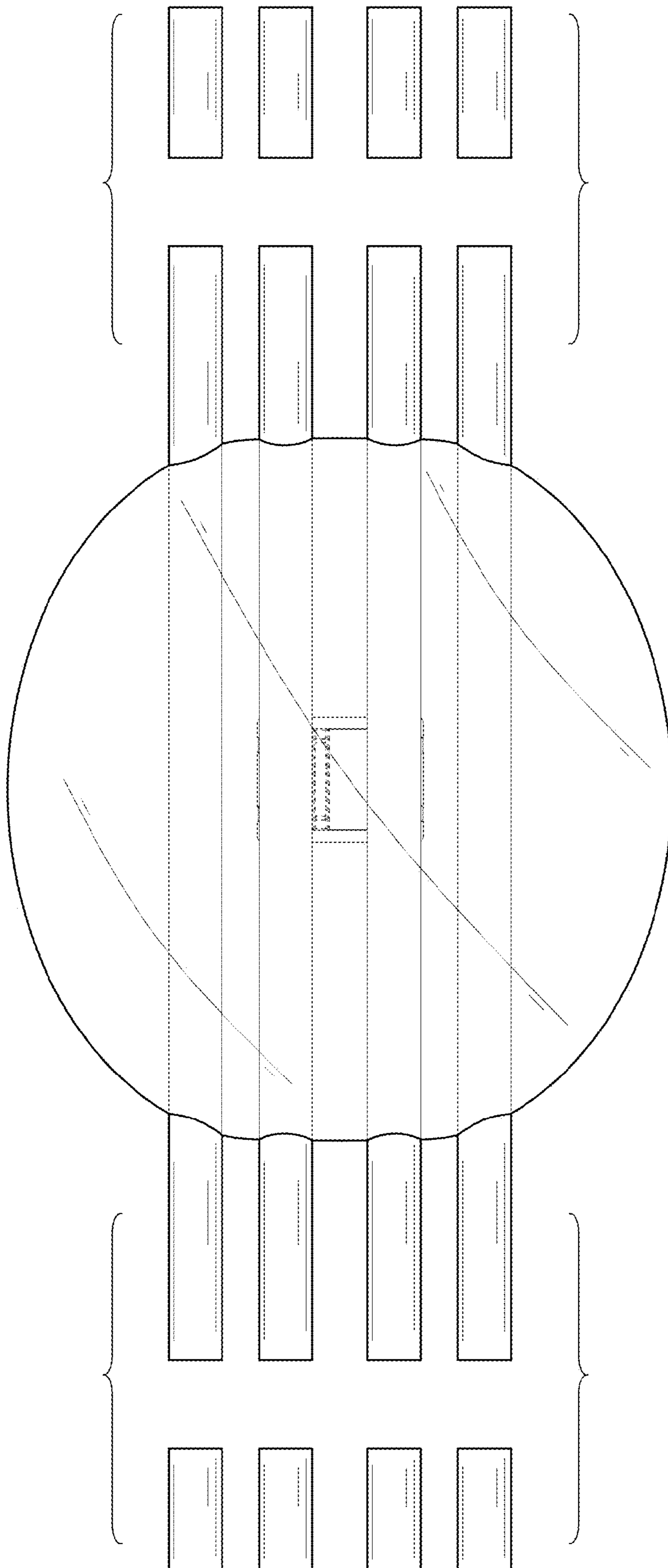


Fig. 8