



US00D947415S

(12) **United States Design Patent** (10) **Patent No.:** **US D947,415 S**
Neusch (45) **Date of Patent:** **** Mar. 29, 2022**

- (54) **BOLLARD WALL BRACE**
- (71) Applicant: **NEUSCH INNOVATIONS, LP**,
Marble Falls, TX (US)
- (72) Inventor: **William H. Neusch**, Marble Falls, TX
(US)
- (73) Assignee: **Neusch Innovations, LP**, Marble Falls,
TX (US)
- (**) Term: **15 Years**
- (21) Appl. No.: **29/796,776**
- (22) Filed: **Jun. 27, 2021**

D817,918 S *	5/2018	Sabatino	D14/188
D874,681 S *	2/2020	Tech	D25/133
D881,417 S *	4/2020	Britton	D25/126
D893,762 S *	8/2020	Lake	D25/124
D924,441 S *	7/2021	Gudemane	D25/126
D928,346 S *	8/2021	Cube	D25/126
D932,059 S *	9/2021	Becker	D25/126
D938,616 S *	12/2021	Schlatter	D25/126
2014/0008597 A1 *	1/2014	Herman	E04H 17/22 256/64
2014/0138596 A1 *	5/2014	Ross	F16G 11/04 256/47

* cited by examiner

Primary Examiner — Samantha Q Lawrence
(74) *Attorney, Agent, or Firm* — Shackelford, Bowen,
McKinley & Norton, LLP; Henry L. Ehrlich

Related U.S. Application Data

- (63) Continuation of application No. 16/907,716, filed on
Jun. 22, 2020, now Pat. No. 11,066,794, which is a
continuation of application No. 16/366,273, filed on
Mar. 27, 2019, now Pat. No. 10,689,819.
- (51) **LOC (13) Cl.** **25-01**
- (52) **U.S. Cl.**
USPC **D25/126**
- (58) **Field of Classification Search**
USPC D25/119, 125, 126, 127, 128, 129, 130,
D25/131, 132, 133, 134, 135, 136
CPC E04F 11/1817; E04F 11/1814; E04F
11/1834; E04F 2011/1827; E04F 11/1846;
E04F 2011/1823; E04F 11/1844; E04F
2011/1819; E04F 2011/1821; E04F
11/1812; E04F 11/1842; E04F 2011/1872;
E04H 17/1447; E04H 17/1482; F16B
13/12; F16B 7/0473; F21S 8/083; F21V
33/006; F21W 2111/08
See application file for complete search history.

(56) **References Cited**

U.S. PATENT DOCUMENTS

- D799,695 S * 10/2017 Honein D24/134
- D806,904 S * 1/2018 DeBellis D25/126

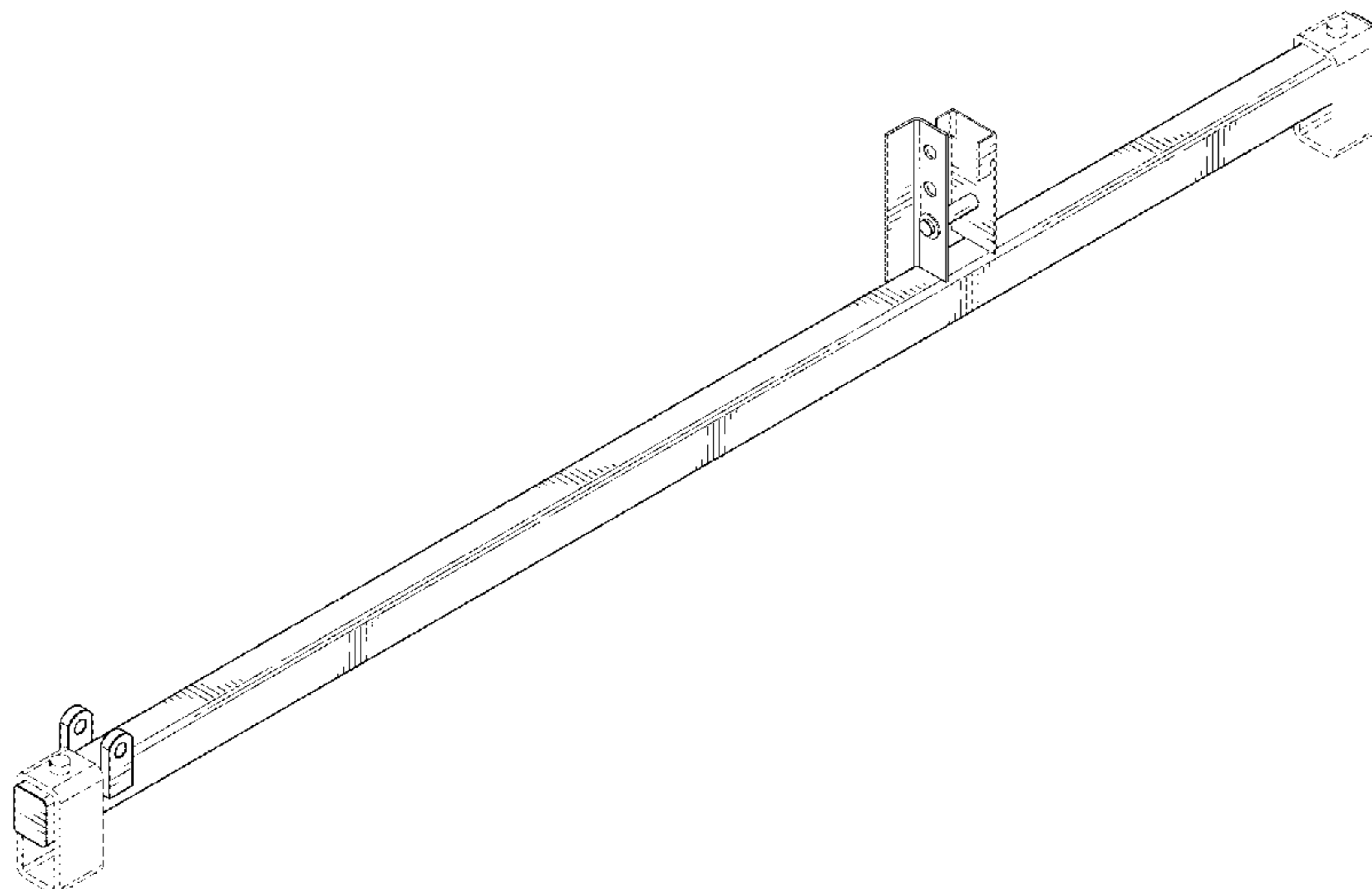
(57) **CLAIM**

The ornamental design for a bollard wall brace, as shown
and described.

DESCRIPTION

FIG. 1 is a front perspective view of a bollard wall brace in
accordance with the design;
FIG. 2 is a front elevation view thereof;
FIG. 3 is a rear elevation view thereof;
FIG. 4 is a right side elevation view thereof;
FIG. 5 is a left side elevation view thereof;
FIG. 6 is a top plan view thereof;
FIG. 7 is a bottom plan view thereof;
FIG. 8 is a rear perspective view thereof; and,
FIG. 9 is a perspective view showing the bollard wall brace
in an example environment.
The broken lines shown in FIGS. 1-9 illustrate portions of
the bollard wall brace that form no part of the claimed
design. The additional broken lines shown in FIG. 9 illus-
trates environment and forms no part of the claimed design.

1 Claim, 6 Drawing Sheets



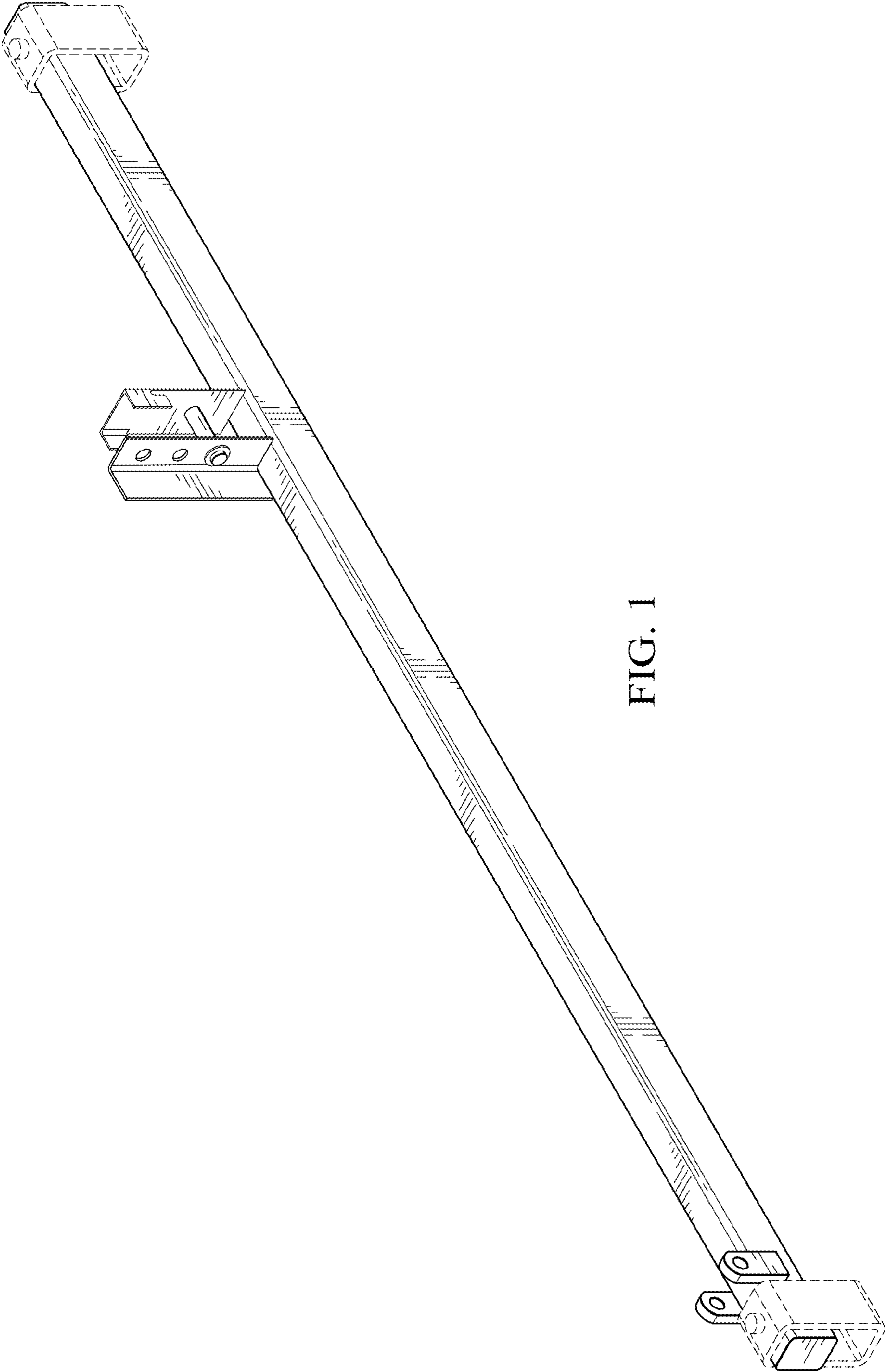


FIG. 1

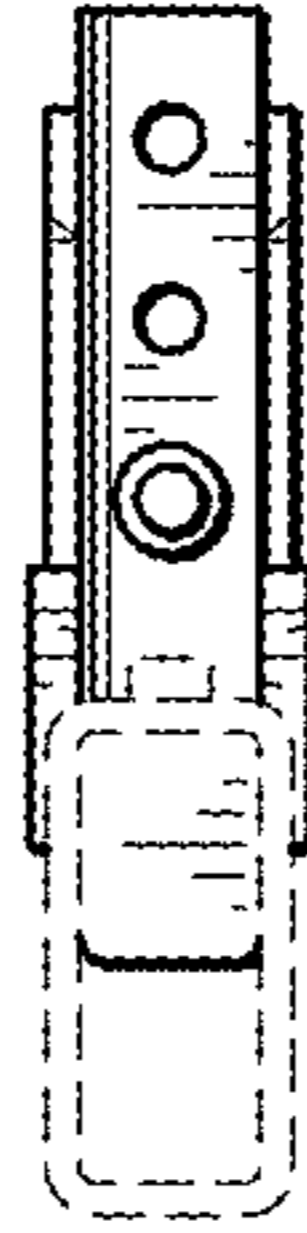


FIG. 2



FIG. 3



FIG. 4



FIG. 5

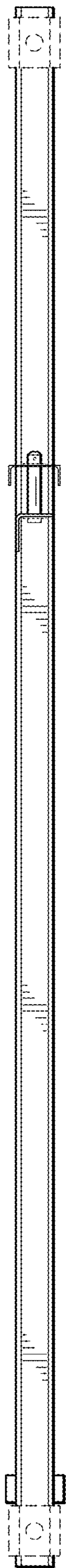


FIG. 6

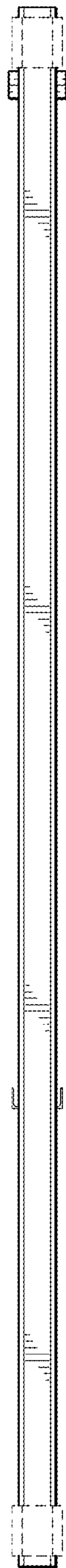


FIG. 7

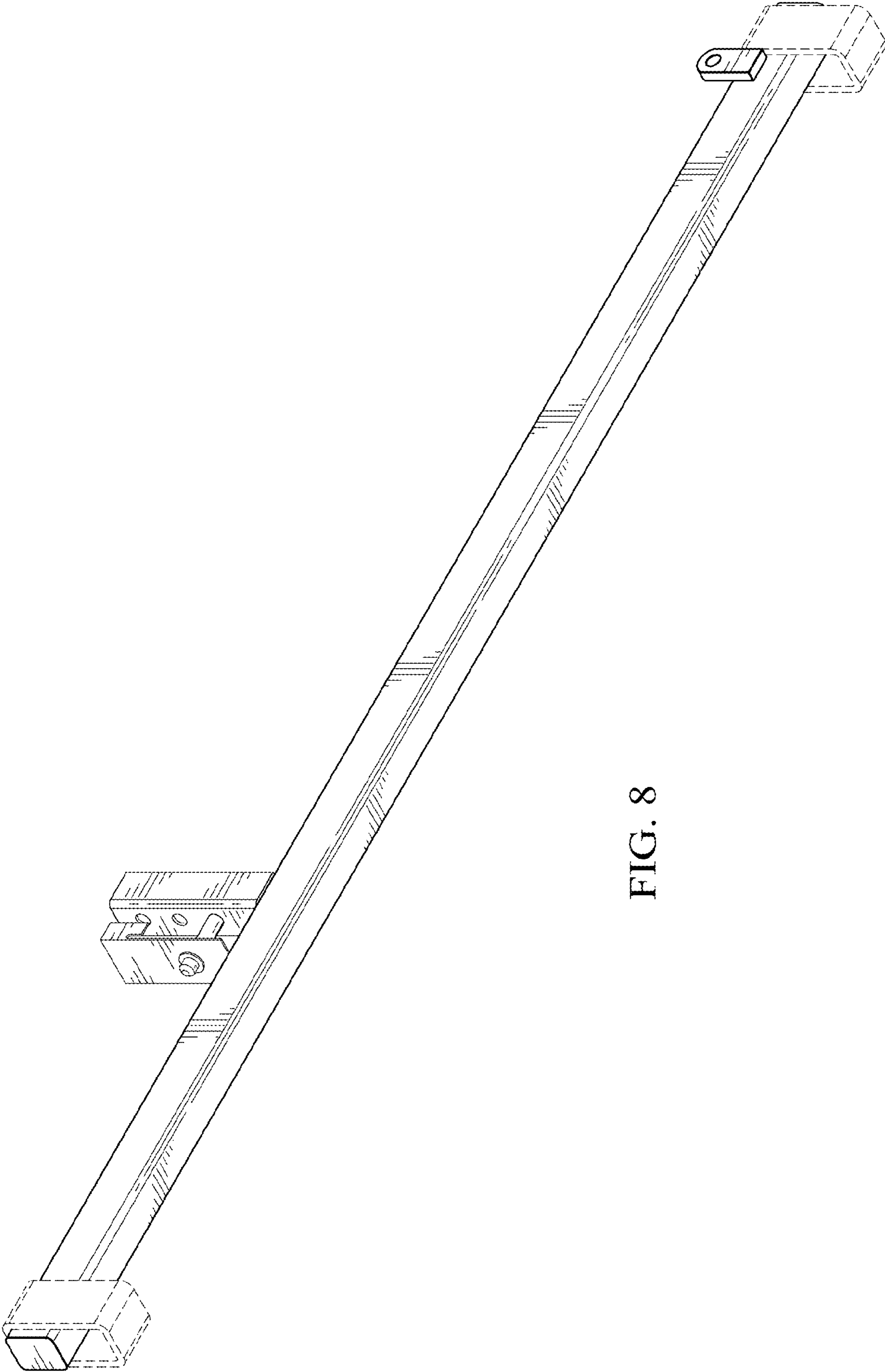


FIG. 8

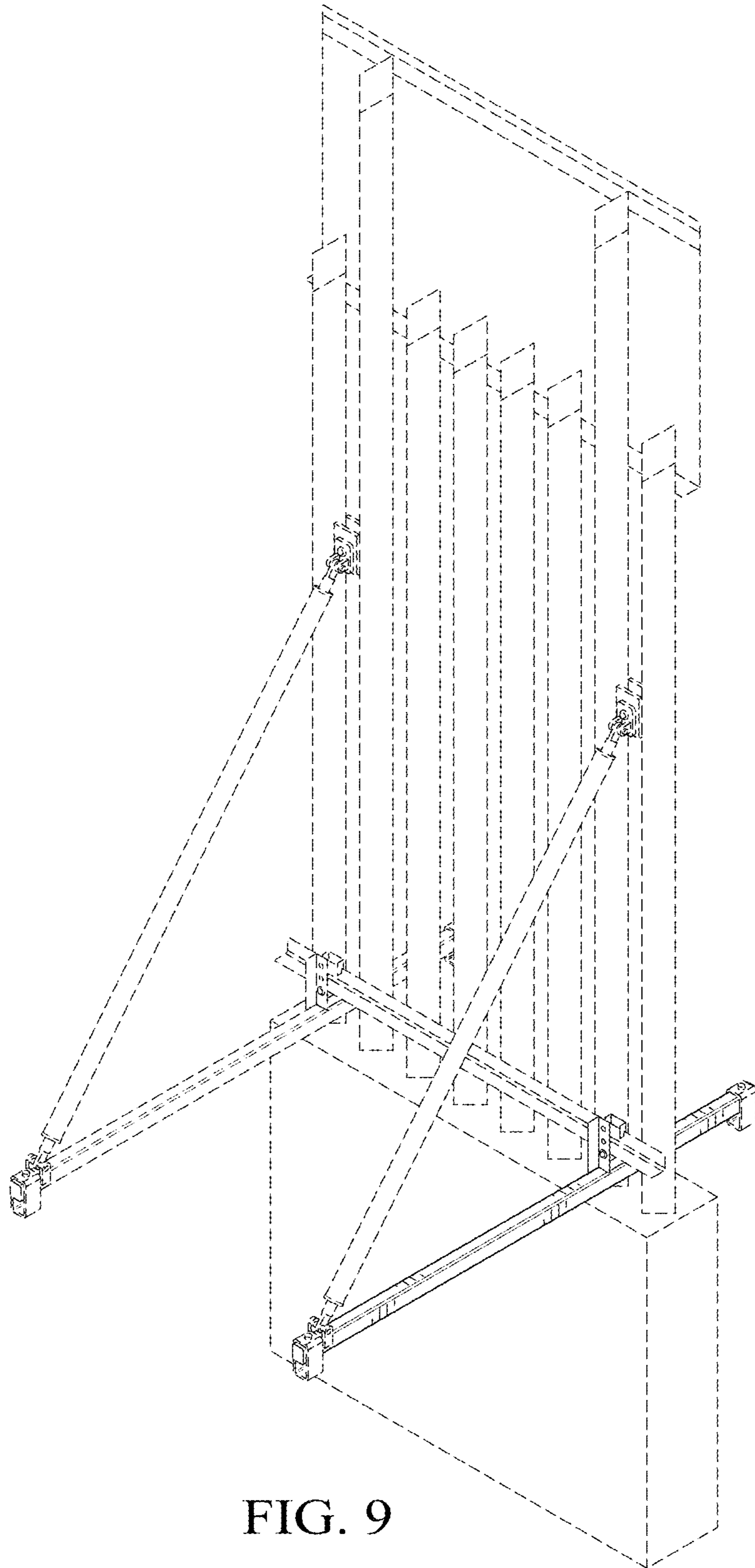


FIG. 9