



US00D947414S

(12) **United States Design Patent**
Newman

(10) **Patent No.:** **US D947,414 S**

(45) **Date of Patent:** **** Mar. 29, 2022**

- (54) **MOBILE STACKABLE TOWER**
- (71) Applicant: **Peak Industries, Inc.**, Spokane, WA
(US)
- (72) Inventor: **Gerald W. Newman**, Spangle, WA
(US)
- (**) Term: **15 Years**
- (21) Appl. No.: **29/735,381**
- (22) Filed: **May 20, 2020**
- (51) **LOC (13) Cl.** **25-01**
- (52) **U.S. Cl.**
USPC **D25/126**
- (58) **Field of Classification Search**
USPC D25/119, 125, 126, 127, 128, 129, 130,
D25/131, 132, 133, 134, 135, 136
CPC E04B 9/068; E04C 3/07; E04C 2003/046
See application file for complete search history.

- D817,915 S * 5/2018 Norrell D14/188
- D817,916 S * 5/2018 Norrell D14/188
- D817,917 S * 5/2018 Norrell D14/188
- D817,918 S * 5/2018 Sabatino D14/188
- D825,784 S * 8/2018 Ma D25/134

* cited by examiner

Primary Examiner — Samantha Q Lawrence

(74) *Attorney, Agent, or Firm* — Lee & Hayes, P.C.

(57) **CLAIM**

The ornamental design for a mobile stackable tower, as shown and described.

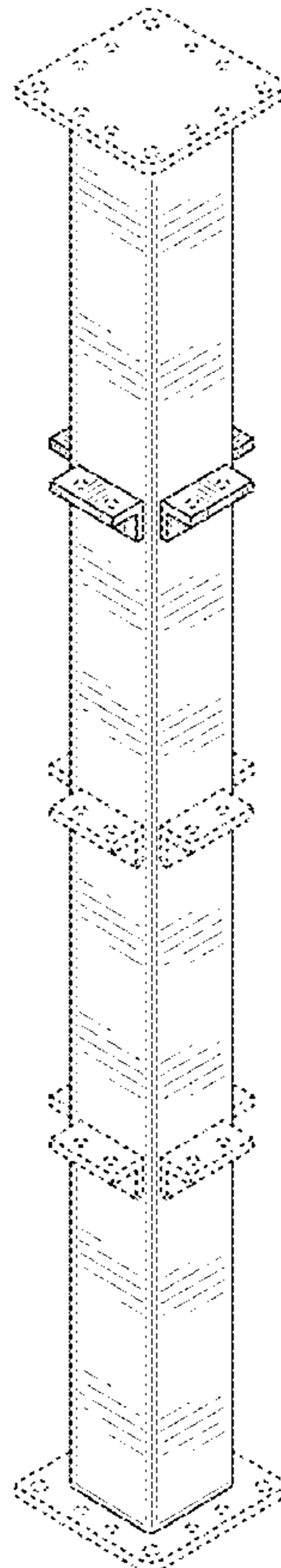
DESCRIPTION

FIG. 1 is a front, top perspective view of a mobile stackable tower;
 FIG. 2 is a back, bottom perspective view thereof;
 FIG. 3 is a front elevation view thereof;
 FIG. 4 is a back elevation view thereof;
 FIG. 5 is a left-side elevation view thereof;
 FIG. 6 is a right-side elevation view thereof;
 FIG. 7 is a top plan view thereof;
 FIG. 8 is a bottom plan view thereof; and,
 FIG. 9 is a front, top perspective view of the mobile stackable tower according to the present design.
 The broken lines shown in FIGS. 1-9 illustrate portions of the mobile stackable tower that form no part of the claimed design. The additional broken lines shown in FIG. 9 illustrate environment that forms no part of the claimed design.

(56) **References Cited**
 U.S. PATENT DOCUMENTS

- D374,725 S * 10/1996 Conigliaro D25/126
- D615,217 S * 5/2010 Steinkraus D25/126
- D650,095 S * 12/2011 Smolinski D25/133
- D708,357 S * 7/2014 Brann D25/126
- D718,241 S * 11/2014 Gretz D13/139.5
- D806,904 S * 1/2018 DeBellis D25/126

1 Claim, 9 Drawing Sheets



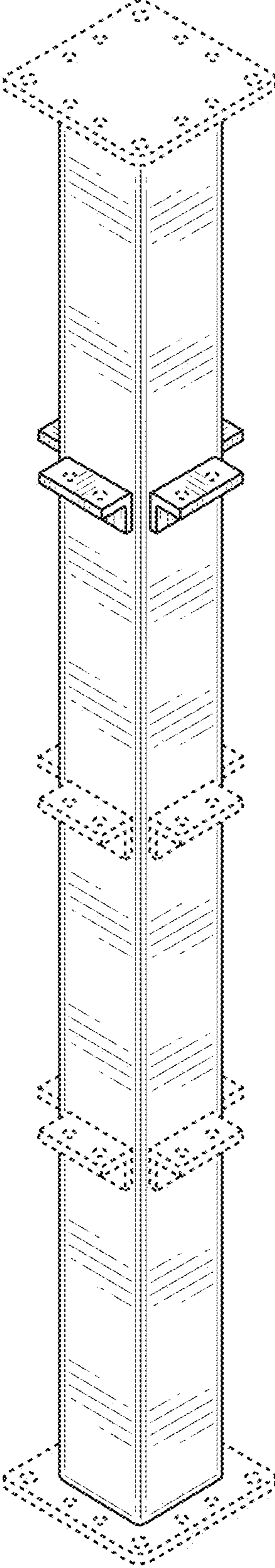


FIG. 1

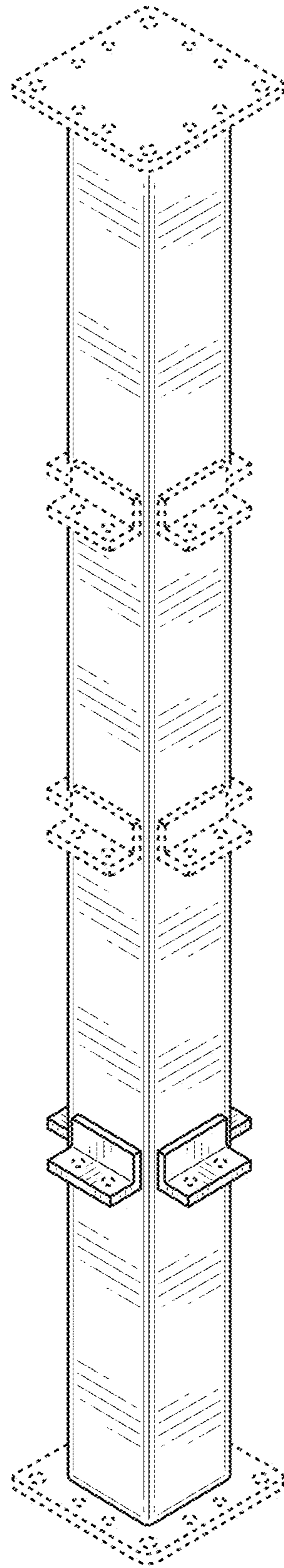


FIG. 2

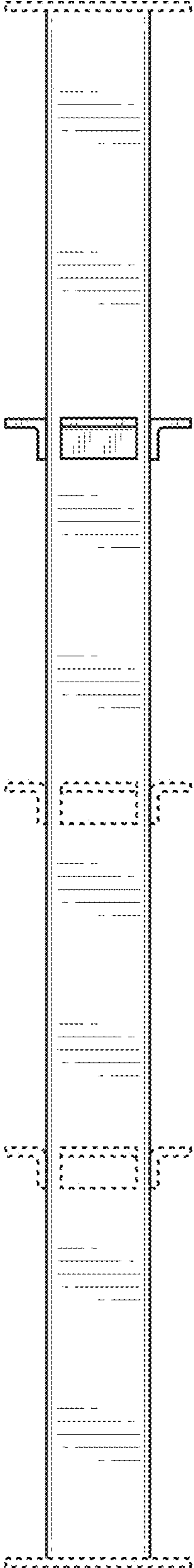


FIG. 3

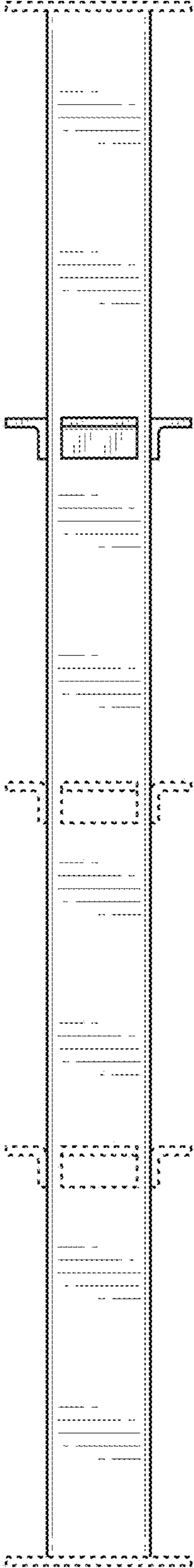


FIG. 4

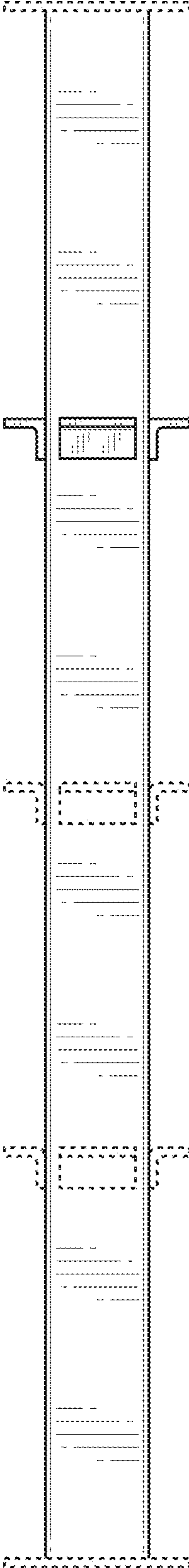


FIG. 5

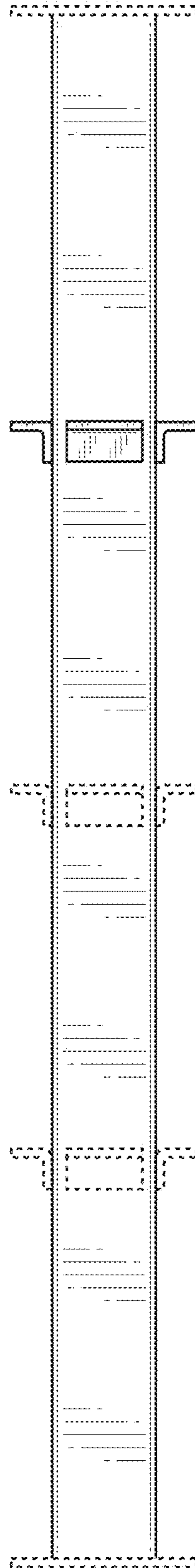


FIG. 6

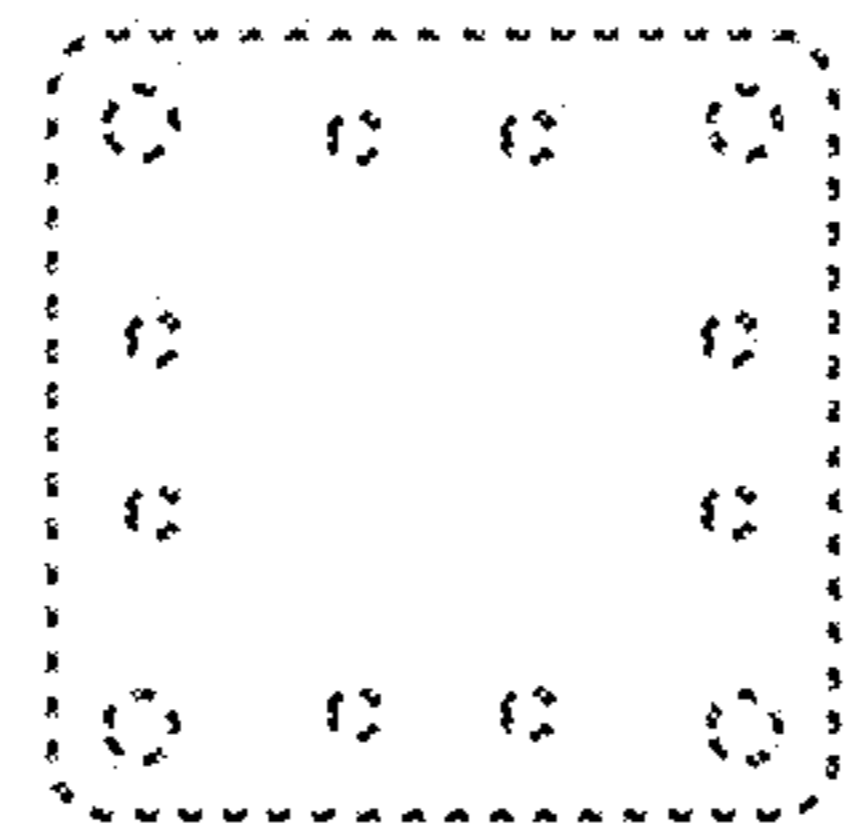


FIG. 7

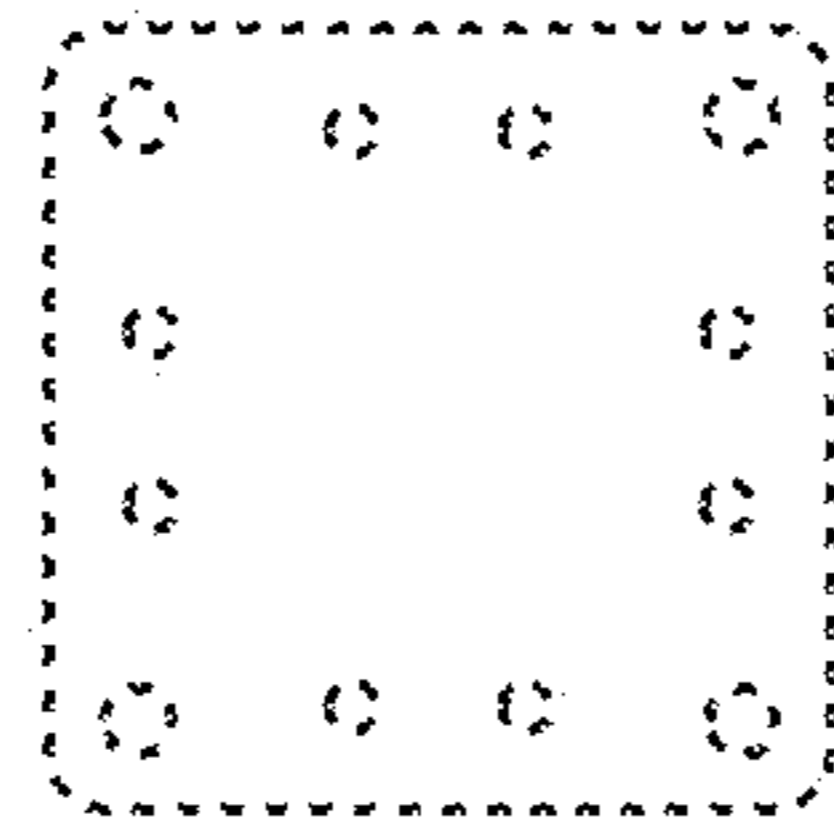


FIG. 8

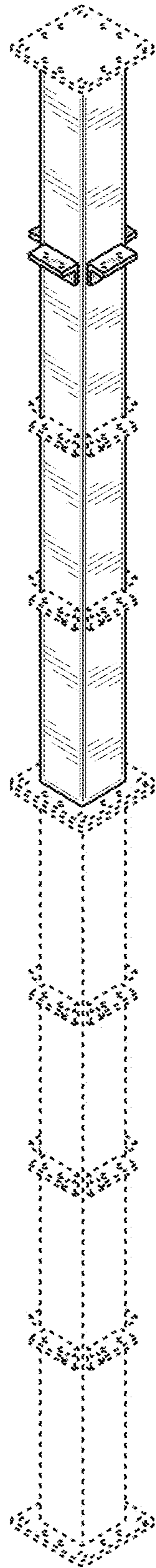


FIG. 9