

US00D947413S

(12) **United States Design Patent**
Veilleux

(10) **Patent No.:** **US D947,413 S**
(45) **Date of Patent:** **** Mar. 29, 2022**

- (54) **CONTAINER TOP RAIL**
- (71) Applicant: **MANAC INC.**, Saint-Georges (CA)
- (72) Inventor: **Guy Veilleux**, Saint-Georges (CA)
- (73) Assignee: **MANAC INC.**, Saint-Georges (CA)
- (**) Term: **15 Years**
- (21) Appl. No.: **29/752,949**
- (22) Filed: **Sep. 29, 2020**

- D573,268 S * 7/2008 Lundsgaard D25/119
- D831,178 S * 10/2018 Van Wingerden A01G 9/047
- D881,359 S * 4/2020 Hunter D23/267
- D923,761 S * 6/2021 Hunter D23/267

* cited by examiner

Primary Examiner — Gino Colan
(74) *Attorney, Agent, or Firm* — Bereskin & Parr
LLP/S.E.N.C.R.L., s.r.l.

(57) **CLAIM**

The ornamental design for a container top rail, as shown and described.

(30) **Foreign Application Priority Data**

Mar. 31, 2020 (CA) CA 194240

(51) **LOC (13) Cl.** **25-01**

(52) **U.S. Cl.**
USPC **D25/119**

(58) **Field of Classification Search**
USPC D25/119–125; D23/259, 261–262, 267,
D23/393; 52/287.1, 312, 478, 542, 656.9,
52/716.8, 718.01

CPC E04H 4/141; E04H 4/14; E04F 19/049
See application file for complete search history.

(56) **References Cited**

U.S. PATENT DOCUMENTS

- D489,209 S * 5/2004 Goldberg D25/119
- D573,267 S * 7/2008 Brinton D25/119

DESCRIPTION

FIG. 1 is a perspective view of a container top rail showing the subject design;

FIG. 2 is a front view of the container top rail shown in FIG. 1;

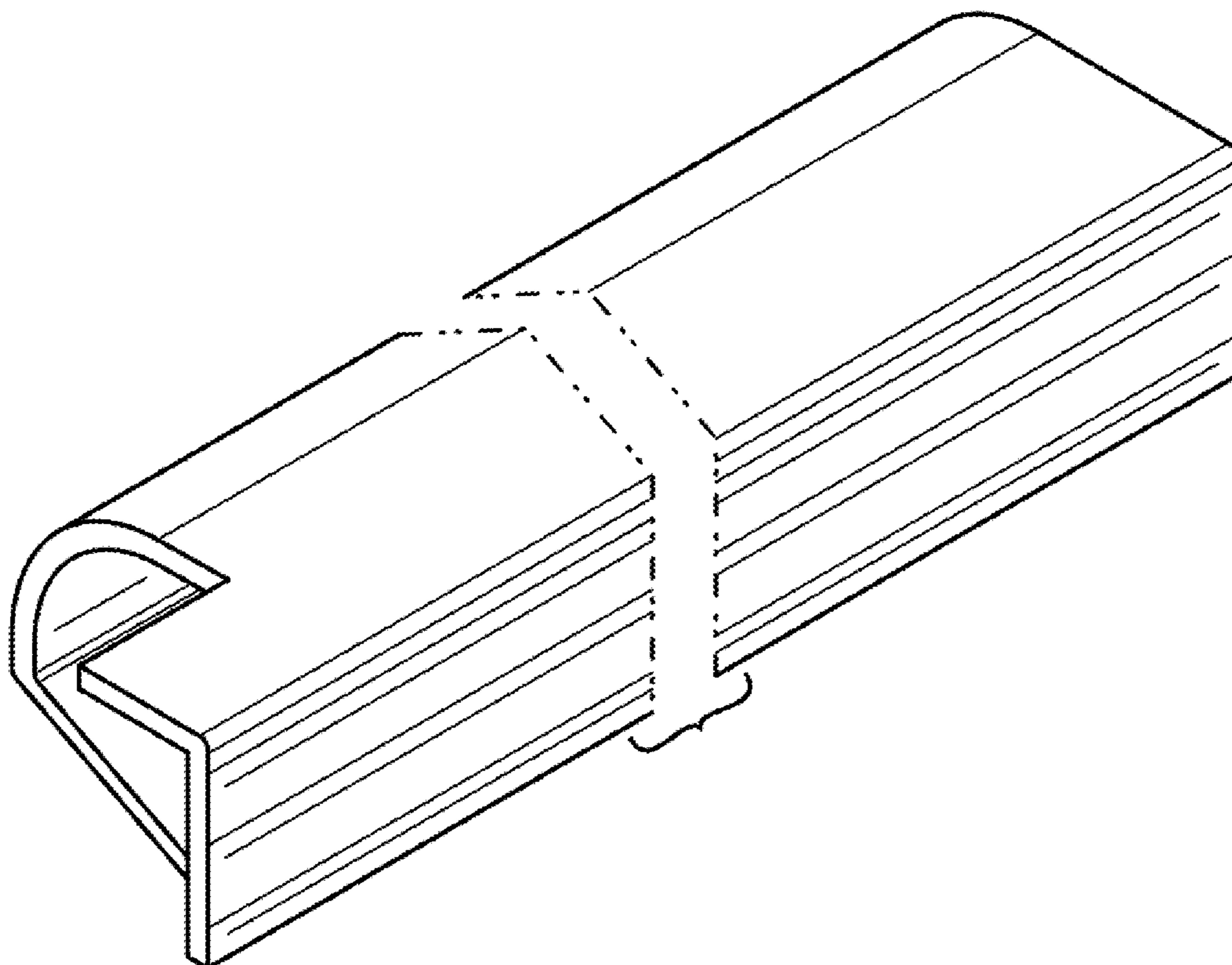
FIG. 3 is a top view of the container top rail shown in FIG. 1;

FIG. 4 is a side view of the container top rail shown in FIG. 1; and,

FIG. 5 is a perspective view of the container top rail shown in FIG. 1.

The container top rail is shown with symbolic breaks in its length. The appearance of any portion of the article between the break lines form no part of the claimed design. The broken lines showing a container in FIG. 5 are for the purpose of illustrating environment and form no part of the claimed design.

1 Claim, 2 Drawing Sheets



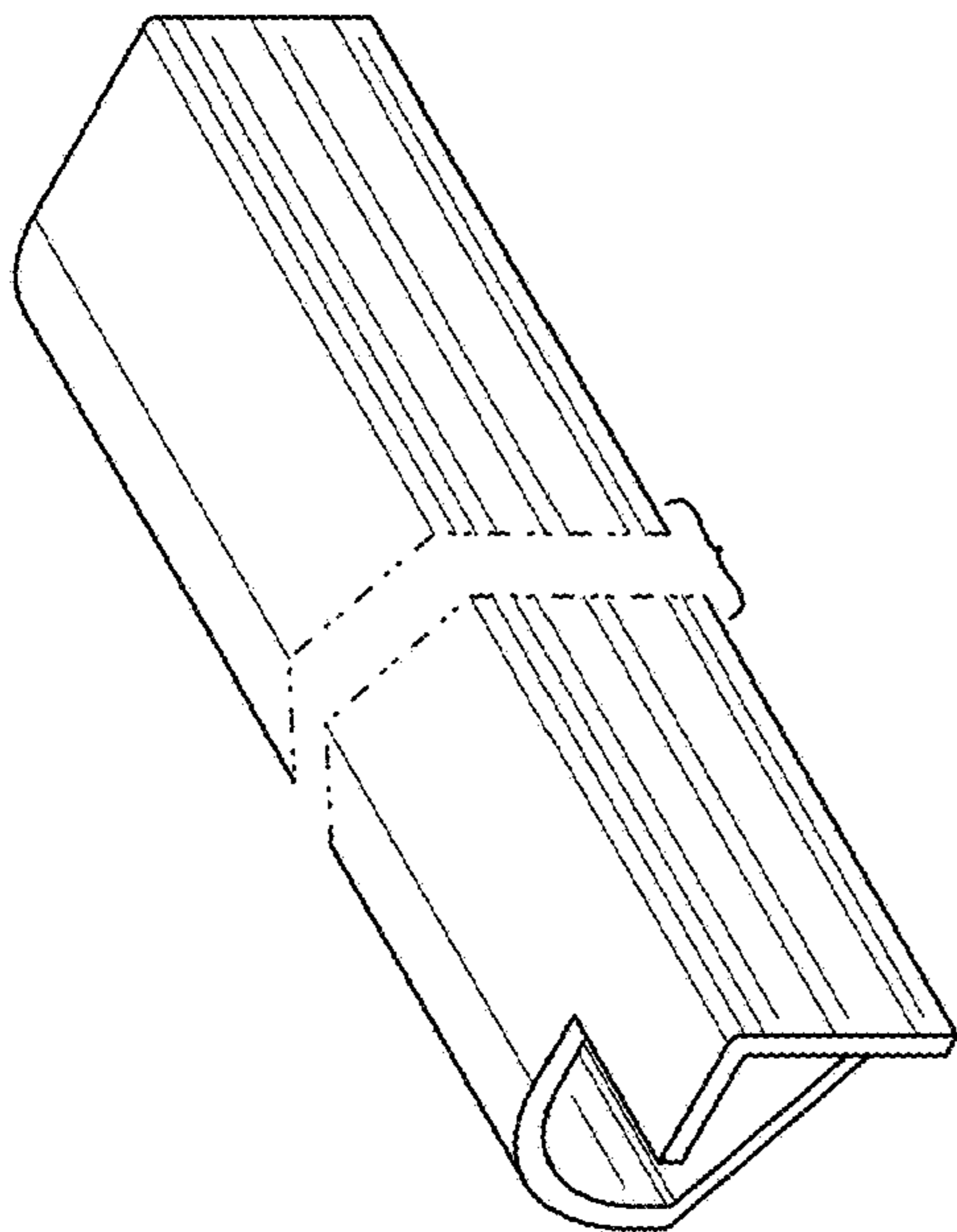


FIG. 1

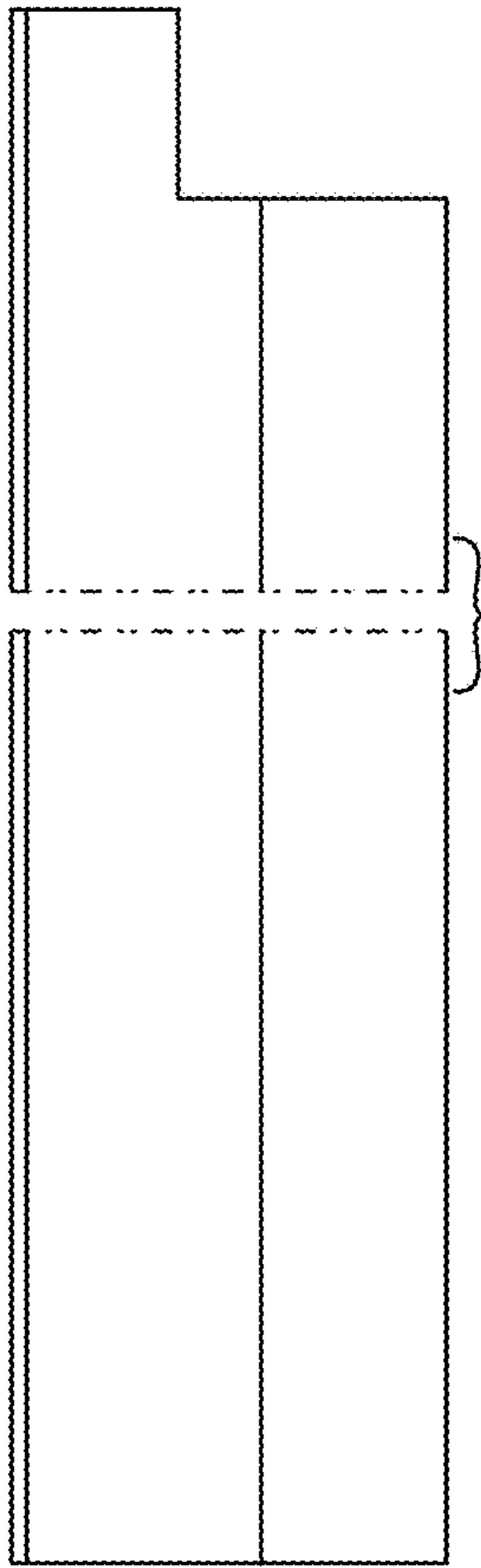


FIG. 2

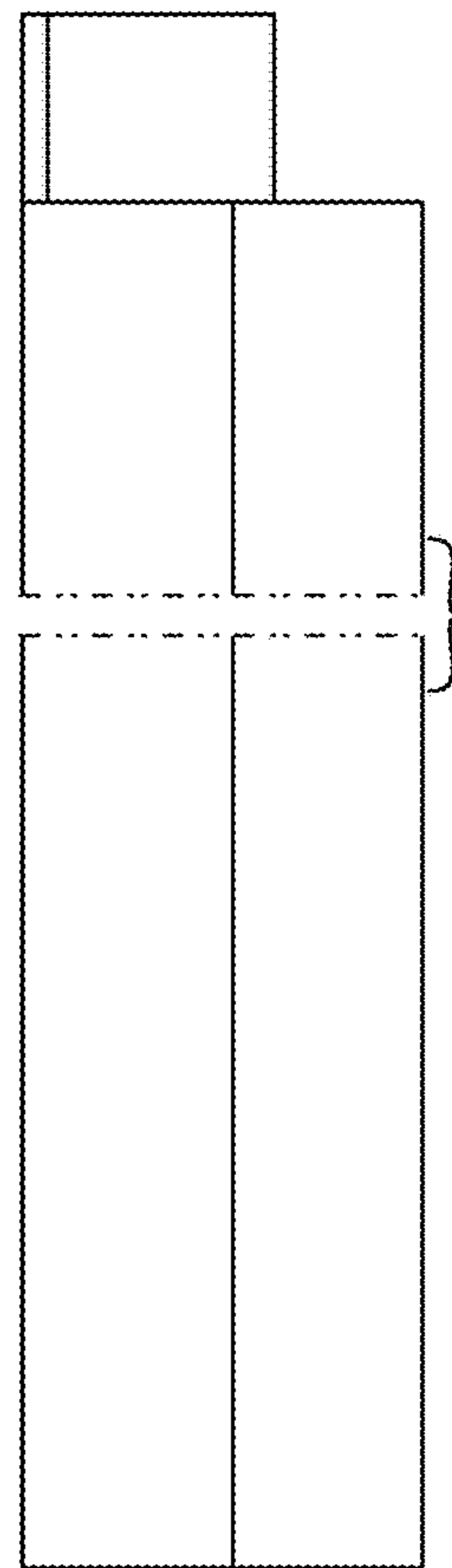


FIG. 3

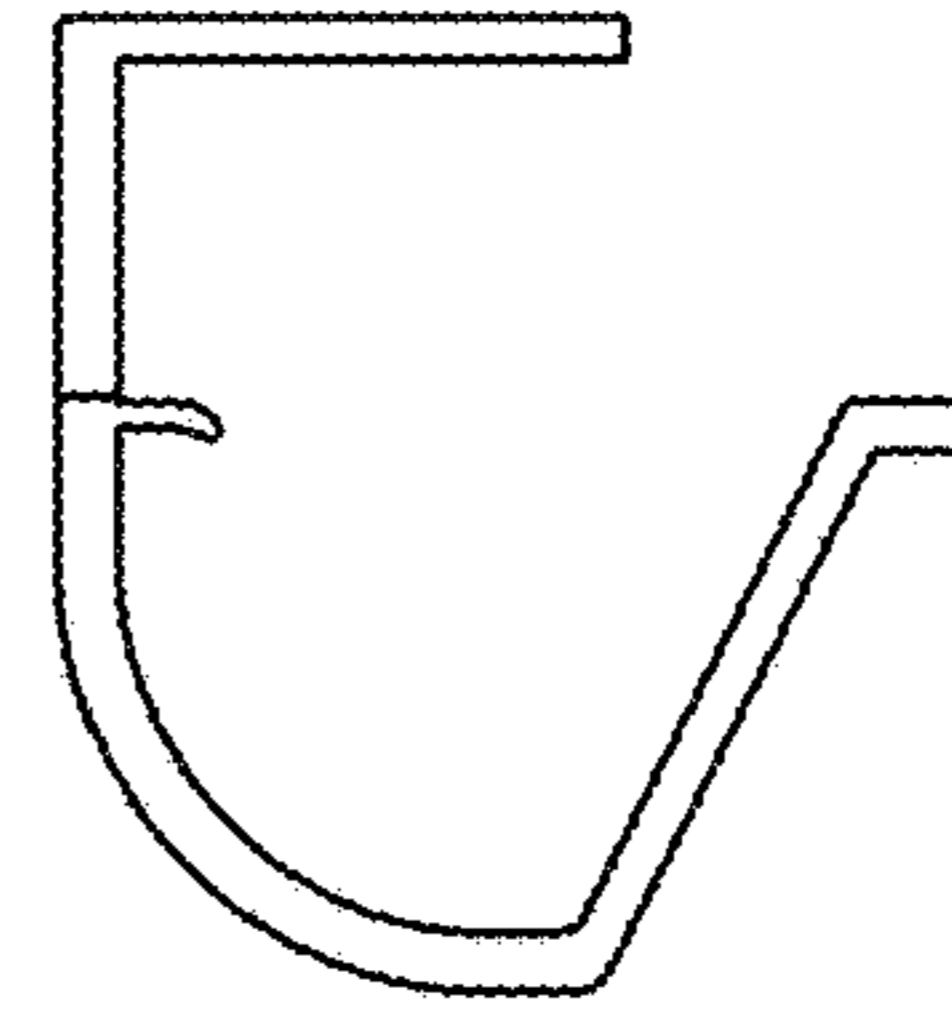


FIG. 4

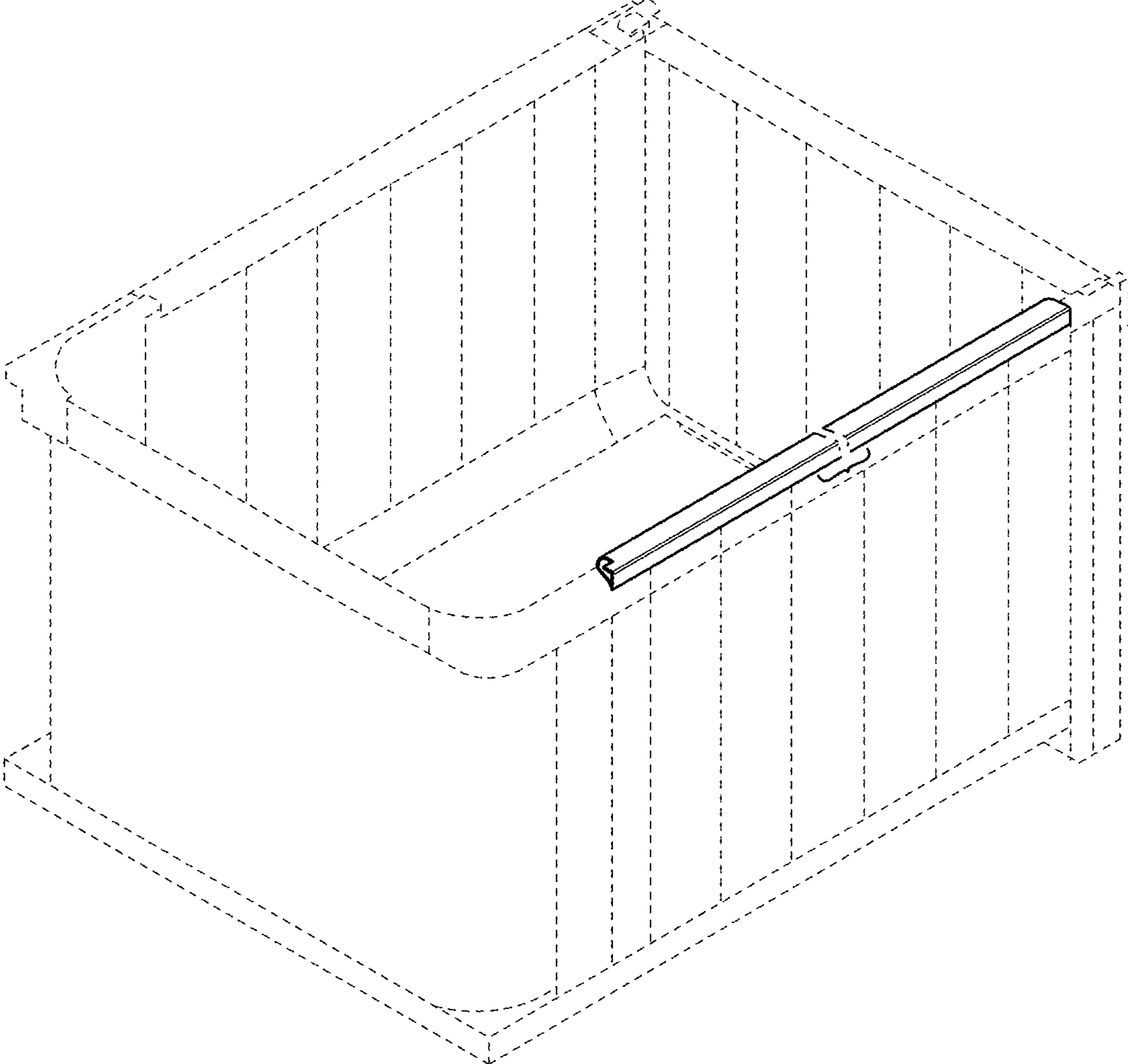


FIG. 5