



US00D947412S

(12) **United States Design Patent**
Mast

(10) **Patent No.:** **US D947,412 S**
(45) **Date of Patent:** **** Mar. 29, 2022**

- (54) **DECORATIVE STONE MOUNTING PLATE**
- (71) Applicant: **Rock Decor Company**, Apple Creek, OH (US)
- (72) Inventor: **Ricky D. Mast**, Apple Creek, OH (US)
- (73) Assignee: **Rock Decor Company**, Apple Creek, OH (US)
- (**) Term: **15 Years**
- (21) Appl. No.: **29/755,874**
- (22) Filed: **Oct. 23, 2020**
- (51) **LOC (13) Cl.** **25-02**
- (52) **U.S. Cl.**
USPC **D25/61**
- (58) **Field of Classification Search**
USPC D25/61, 138, 141, 142, 152, 164;
D8/349, 354, 373
CPC . E04F 13/0835; E04F 13/0851; E04F 13/144;
E04F 13/083; E04F 13/0816; E04F
13/0864; E04F 13/0867; E04F 13/0869;
E04B 2/88
See application file for complete search history.

(56) **References Cited**

U.S. PATENT DOCUMENTS

D643,133	S *	8/2011	Steffes	D25/141
8,042,309	B2 *	10/2011	Wolf	E04F 13/185
					52/314
8,782,988	B2 *	7/2014	Wolf	B29C 39/18
					52/539
D713,552	S *	9/2014	Steffes	D25/61
D713,974	S *	9/2014	Steffes	D25/61
8,997,423	B2 *	4/2015	Mann	E04F 13/0873
					52/477
D742,034	S *	10/2015	Steffes	D25/61
D742,035	S *	10/2015	Steffes	D25/61
9,169,652	B2 *	10/2015	Steffes	E04F 13/0851

9,869,098	B2 *	1/2018	Steffes	E04F 13/0864
D809,671	S *	2/2018	Steffes	D25/61
9,903,124	B2 *	2/2018	Wolf	E04F 15/02038
10,329,775	B2 *	6/2019	Wolf	E04F 13/147
D857,922	S *	8/2019	Steffes	D25/61
10,378,216	B2 *	8/2019	Wolf	E04F 13/0894
10,557,273	B2 *	2/2020	Wolf	E04F 13/0873
10,682,787	B2 *	6/2020	Steffes	E04F 13/0864
10,895,077	B2 *	1/2021	Smith	E04F 13/0835
D910,207	S *	2/2021	Steffes	D25/61
11,047,134	B2 *	6/2021	Steffes	E04F 13/0851
2008/0155922	A1 *	7/2008	Wolf	E04F 13/0862
					52/386
2009/0193742	A1 *	8/2009	Wolf	B29D 99/001
					52/311.1
2011/0175255	A1 *	7/2011	Wernette	B28B 7/007
					264/271.1
2011/0239578	A1 *	10/2011	Wolf	E04F 13/147
					52/588.1
2014/0109504	A1 *	4/2014	Steffes	E04F 13/0864
					52/506.06

(Continued)

Primary Examiner — Mark A Goodwin

(74) *Attorney, Agent, or Firm* — Sand, Sebolt & Wernow Co., LPA

(57) **CLAIM**

The ornamental design for a decorative stone mounting plate, as shown and described.

DESCRIPTION

FIG. 1 is a front, top, left side isometric perspective view of a decorative stone mounting plate in accordance with our design;

FIG. 2 is a top plan view thereof;

FIG. 3 is a front elevation view thereof;

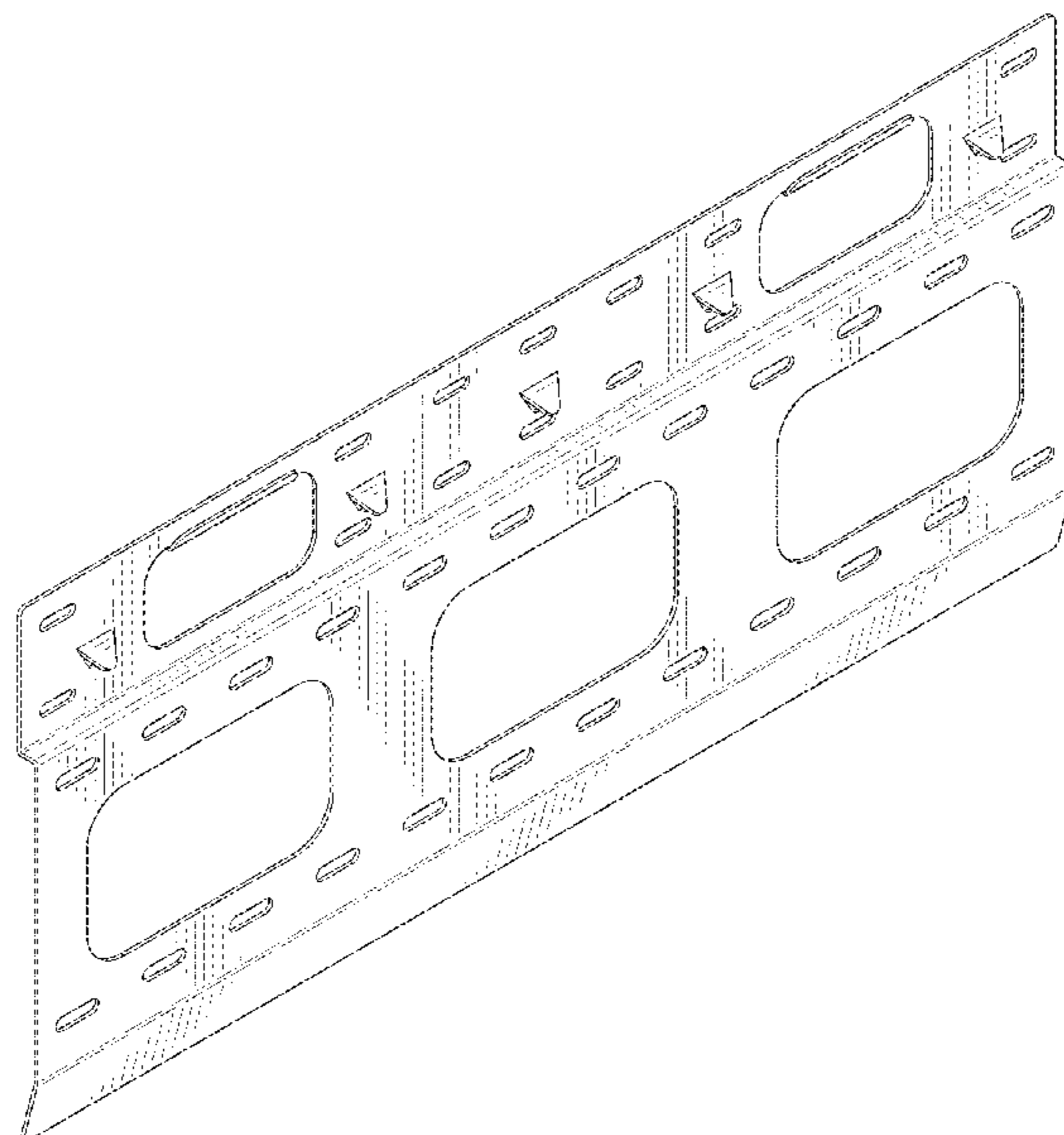
FIG. 4 is a rear elevation view thereof;

FIG. 5 is a bottom plan view thereof;

FIG. 6 is a left side elevation view thereof; and,

FIG. 7 is a right side elevation view thereof.

1 Claim, 4 Drawing Sheets



(56)

References Cited

U.S. PATENT DOCUMENTS

2014/0182225 A1* 7/2014 Wilkie E04B 1/7038
52/302.1
2015/0021822 A1* 1/2015 Wolf B29C 39/18
264/279
2015/0191911 A1* 7/2015 Mann E04F 13/0805
52/475.1
2016/0010342 A1* 1/2016 Steffes E04F 13/0851
52/483.1
2016/0040437 A1* 2/2016 Wolf E04F 13/147
52/314

* cited by examiner

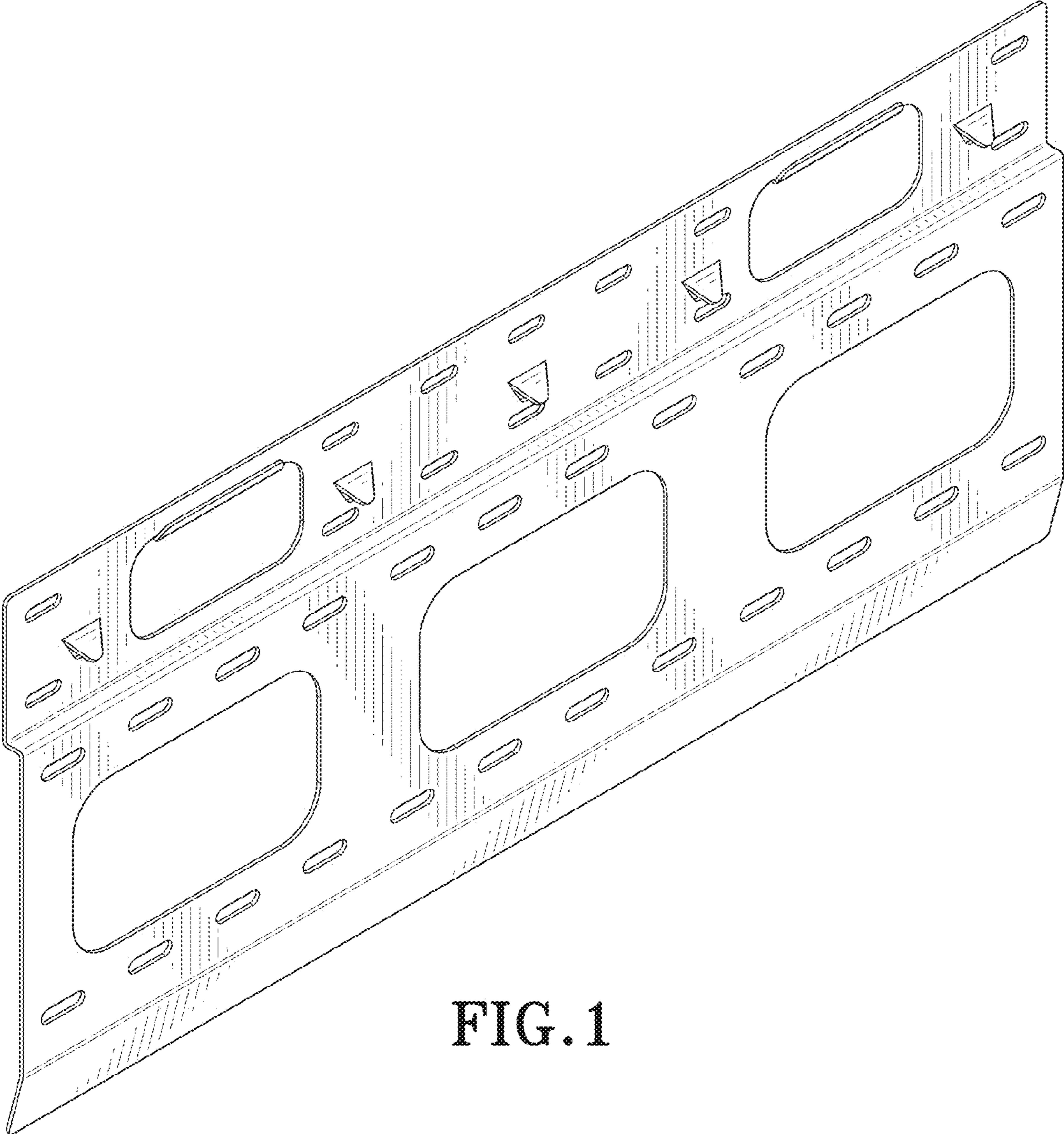


FIG. 1



FIG. 2

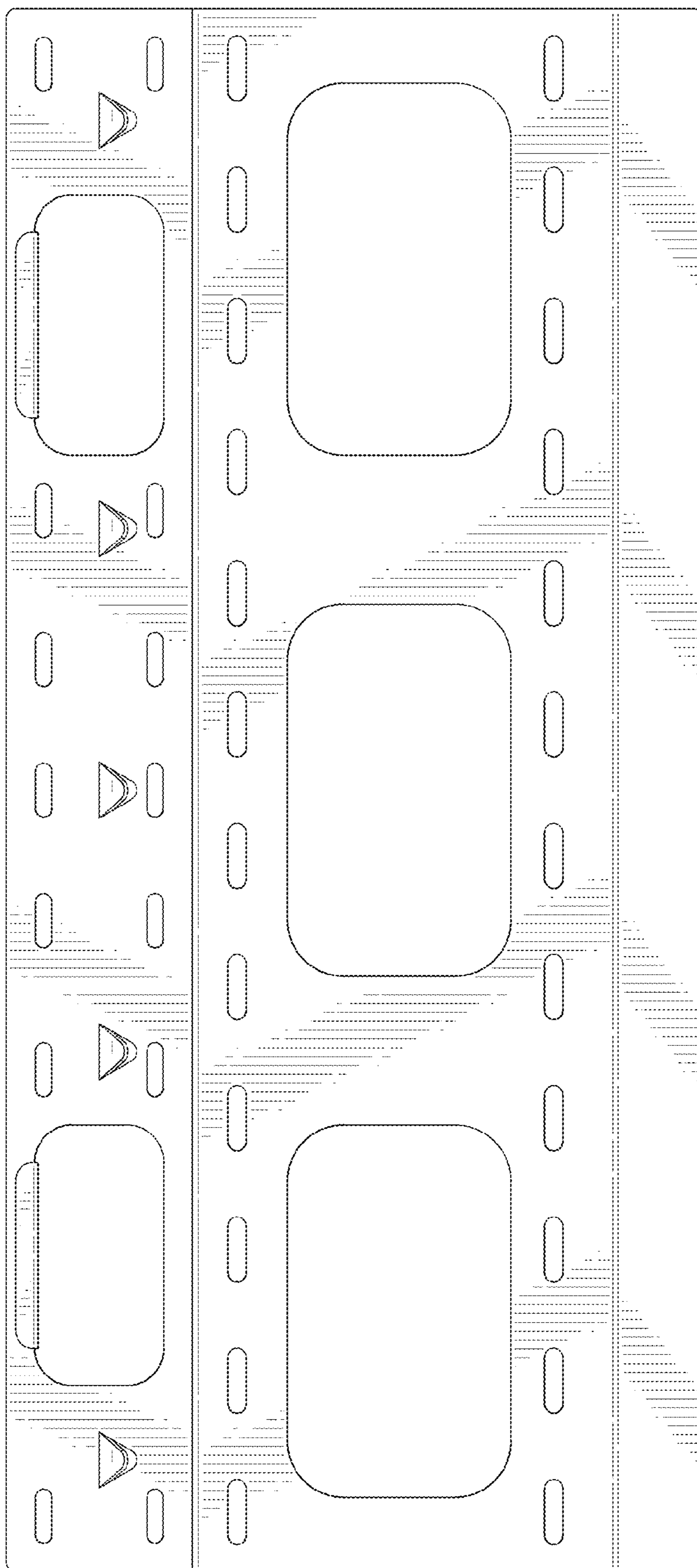


FIG. 3

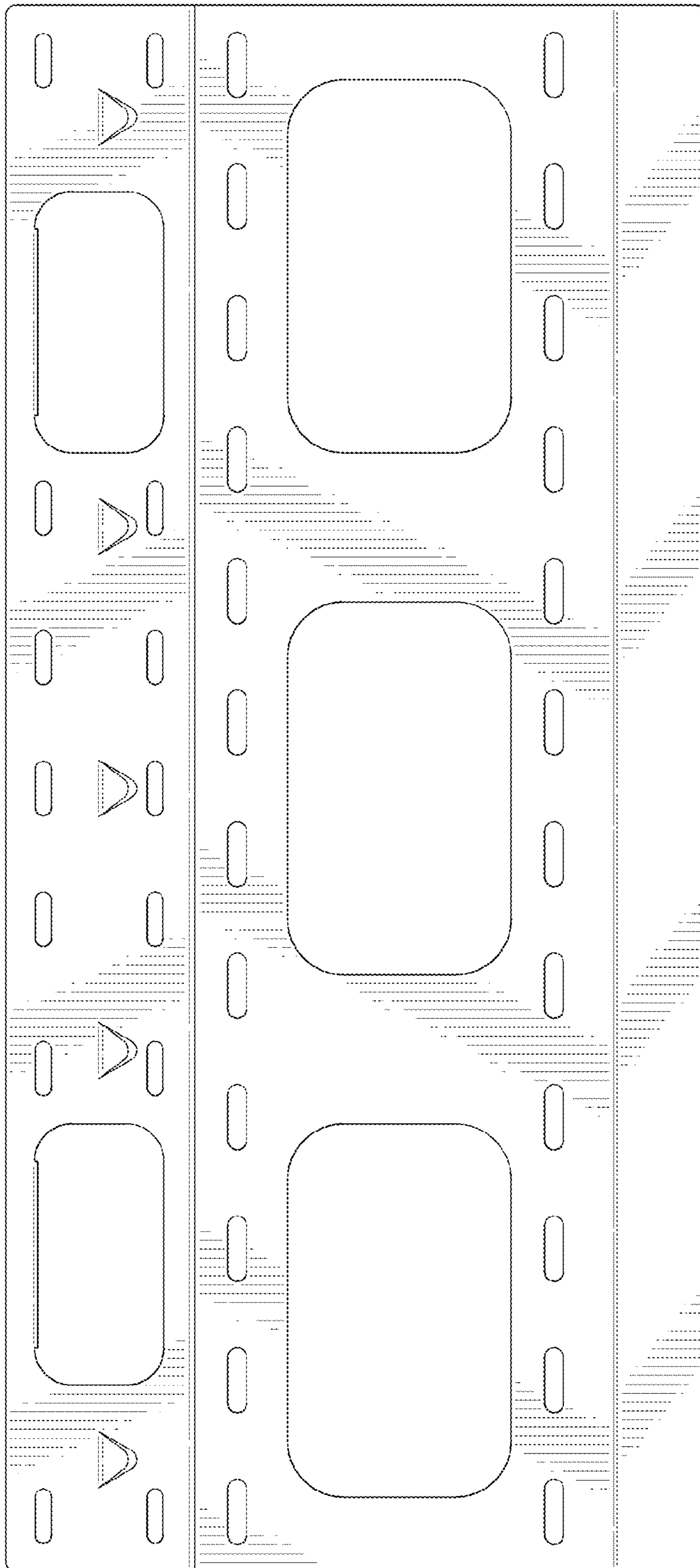


FIG. 4



FIG. 5

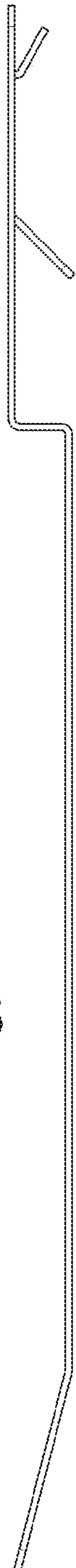


FIG. 6



FIG. 7