



US00D947404S

(12) **United States Design Patent**
Ou Yang

(10) **Patent No.:** **US D947,404 S**
(45) **Date of Patent:** **** Mar. 29, 2022**

(54) **ULTRAVIOLET SANITIZING RECESSED DOWNLIGHT**

D858,841 S * 9/2019 Deng D26/63
D893,043 S * 8/2020 Ou Yang D24/217
D925,109 S * 7/2021 Danesh F21S 8/024
D26/138

(71) Applicant: **SHENZHEN UVLED OPTICAL TECHNOLOGY CO., LTD.**, Shenzhen (CN)

D937,447 S * 11/2021 Ou Yang D26/2
D938,610 S * 12/2021 Ou Yang D24/217
D940,374 S * 1/2022 Chen D26/74

(72) Inventor: **Chen Yi Ou Yang**, Ningyuan County (CN)

FOREIGN PATENT DOCUMENTS

(73) Assignee: **SHENZHEN UVLED OPTICAL TECHNOLOGY CO., LTD.**, Shenzhen (CN)

CN 202030381571.0 * 10/2020
GB 9008191134-0003 * 9/2020

* cited by examiner

(**) Term: **15 Years**

Primary Examiner — Anhdao Doan

(21) Appl. No.: **29/758,292**

(74) *Attorney, Agent, or Firm* — Li & Cai Intellectual Property (USA) Office

(22) Filed: **Nov. 13, 2020**

(57) **CLAIM**

(51) **LOC (13) Cl.** **24-01**

The ornamental design for an ultraviolet sanitizing recessed downlight, as shown and described.

(52) **U.S. Cl.**

DESCRIPTION

USPC **D24/217**

(58) **Field of Classification Search**

USPC D24/107, 209, 210, 216, 217, 218, 231, D24/232, 234, 133; D26/37, 38, 51; D32/1

CPC ... A61L 2/025; A61L 2/07; A61L 2/10; A61L 2/18; A61L 2/24; A61L 2/26; A61L 2202/10; A61L 2202/11; A61L 2202/14; A61L 2202/23; A61L 2202/24; A61L 2202/122; A61L 2202/182

See application file for complete search history.

FIG. 1 is a front, right side and top perspective view of an ultraviolet sanitizing recessed downlight showing the claimed design;

FIG. 2 is a front elevational view thereof;

FIG. 3 is a rear elevational view thereof;

FIG. 4 is a left side elevational view thereof;

FIG. 5 is a right side elevational view thereof;

FIG. 6 is a top plan view thereof;

FIG. 7 is a bottom plan view thereof; and,

FIG. 8 is a rear, left side and bottom perspective view thereof.

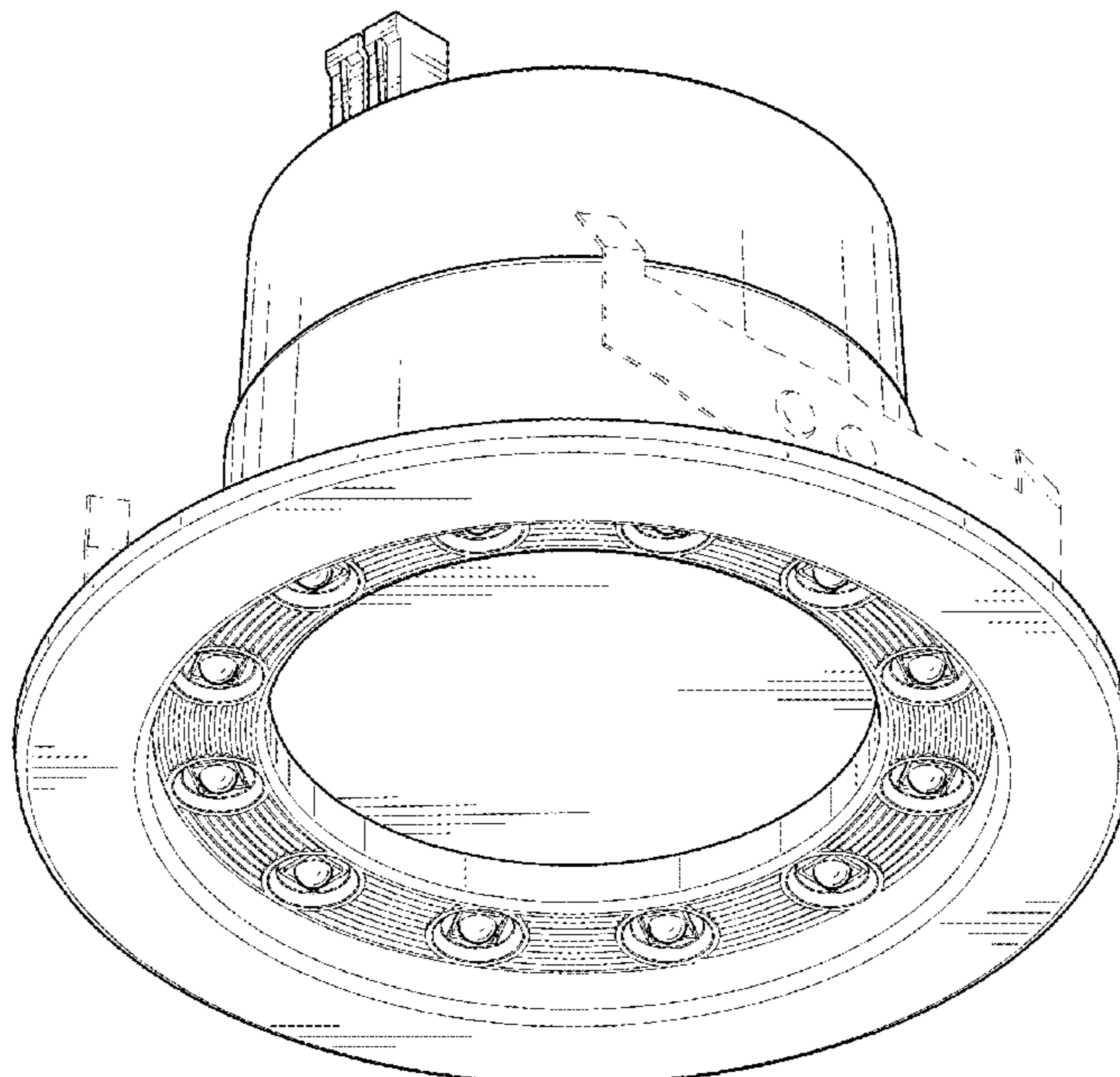
The broken lines in the drawing depict portions of the ultraviolet sterilizing recessed downlight that form no part of the claimed design.

(56) **References Cited**

U.S. PATENT DOCUMENTS

D625,876 S * 10/2010 Chen D26/74
D687,160 S * 7/2013 Crawford D24/217
D827,145 S * 8/2018 Lee D24/209

1 Claim, 8 Drawing Sheets



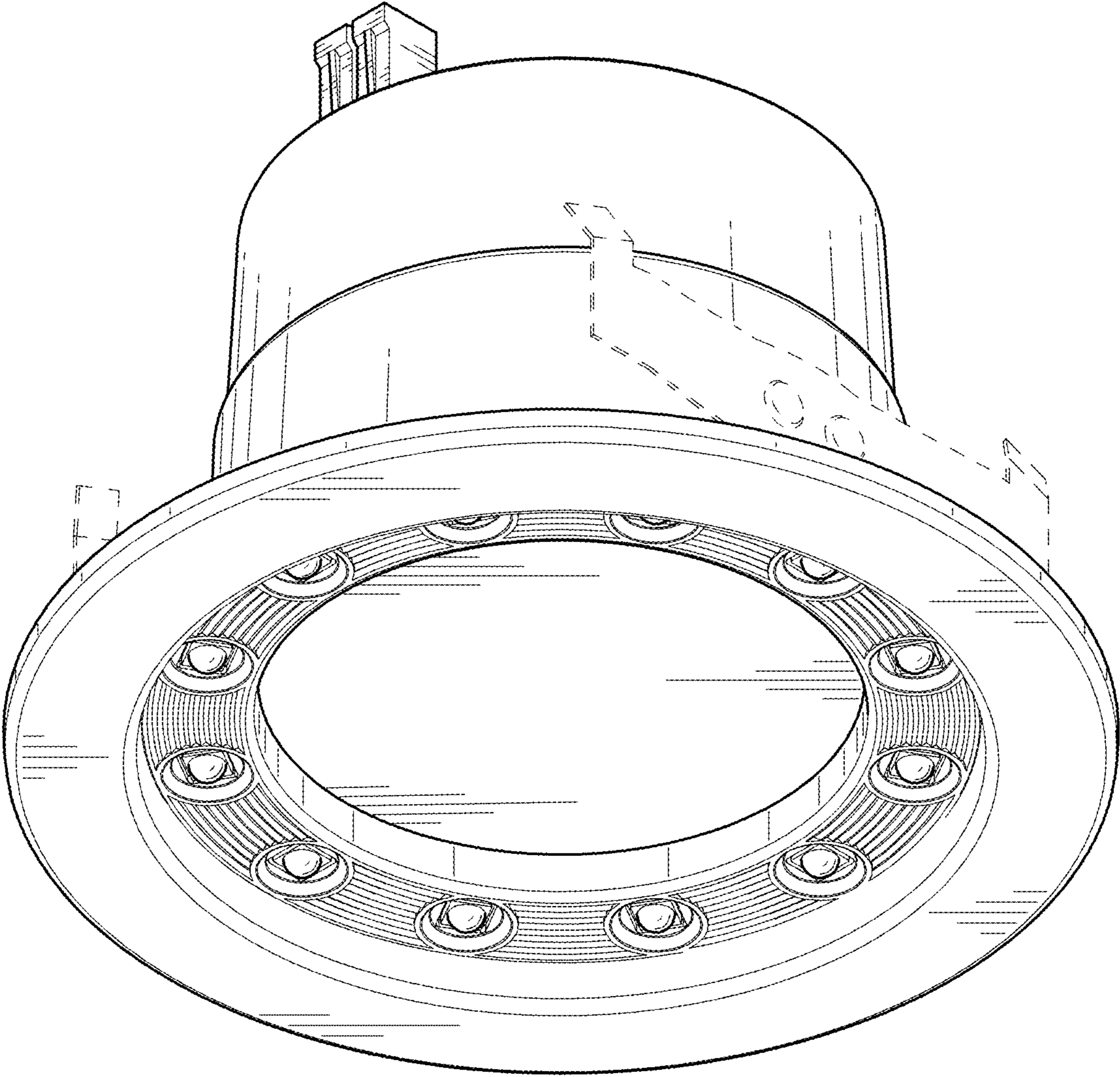


FIG. 1

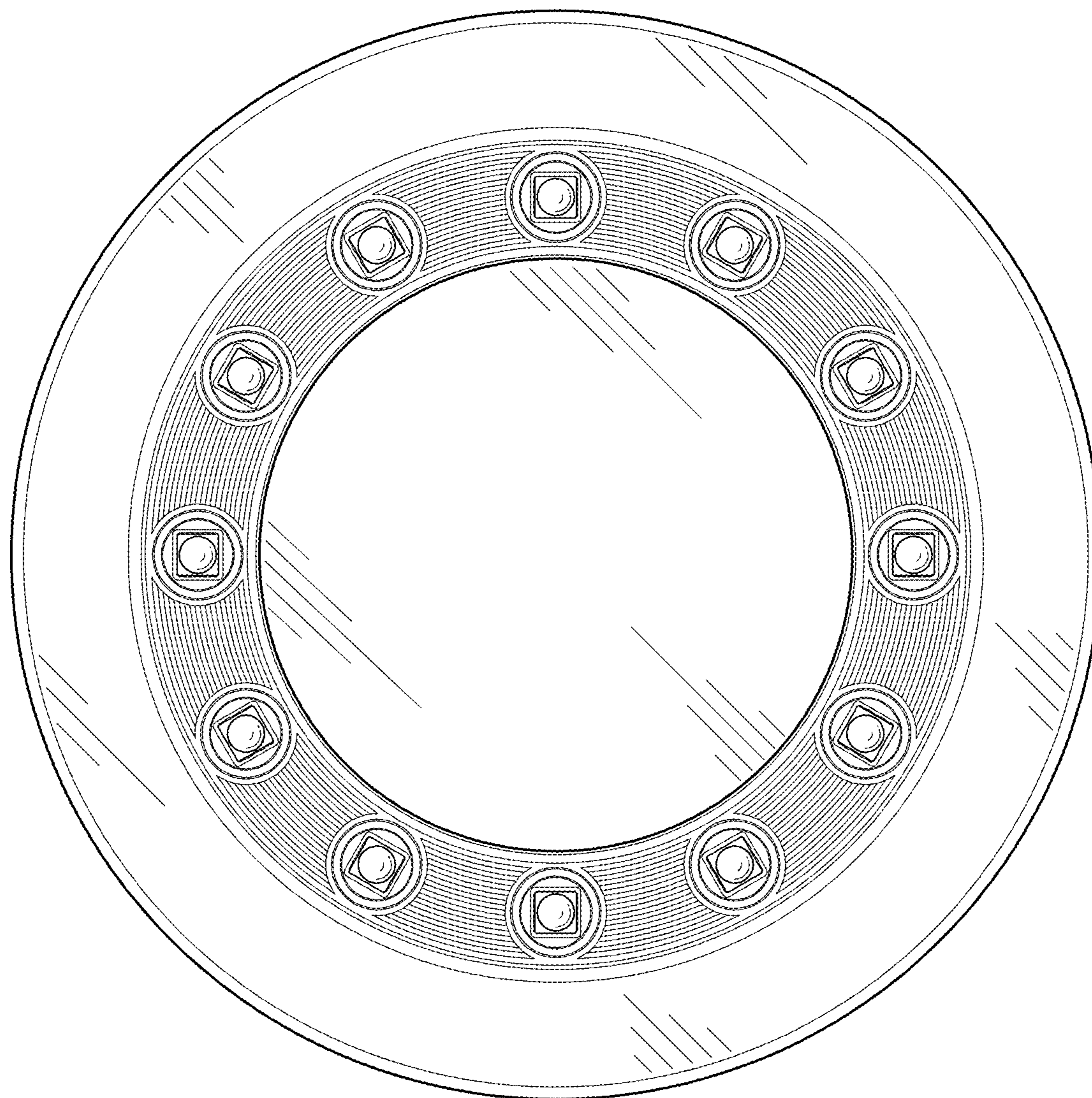


FIG. 2

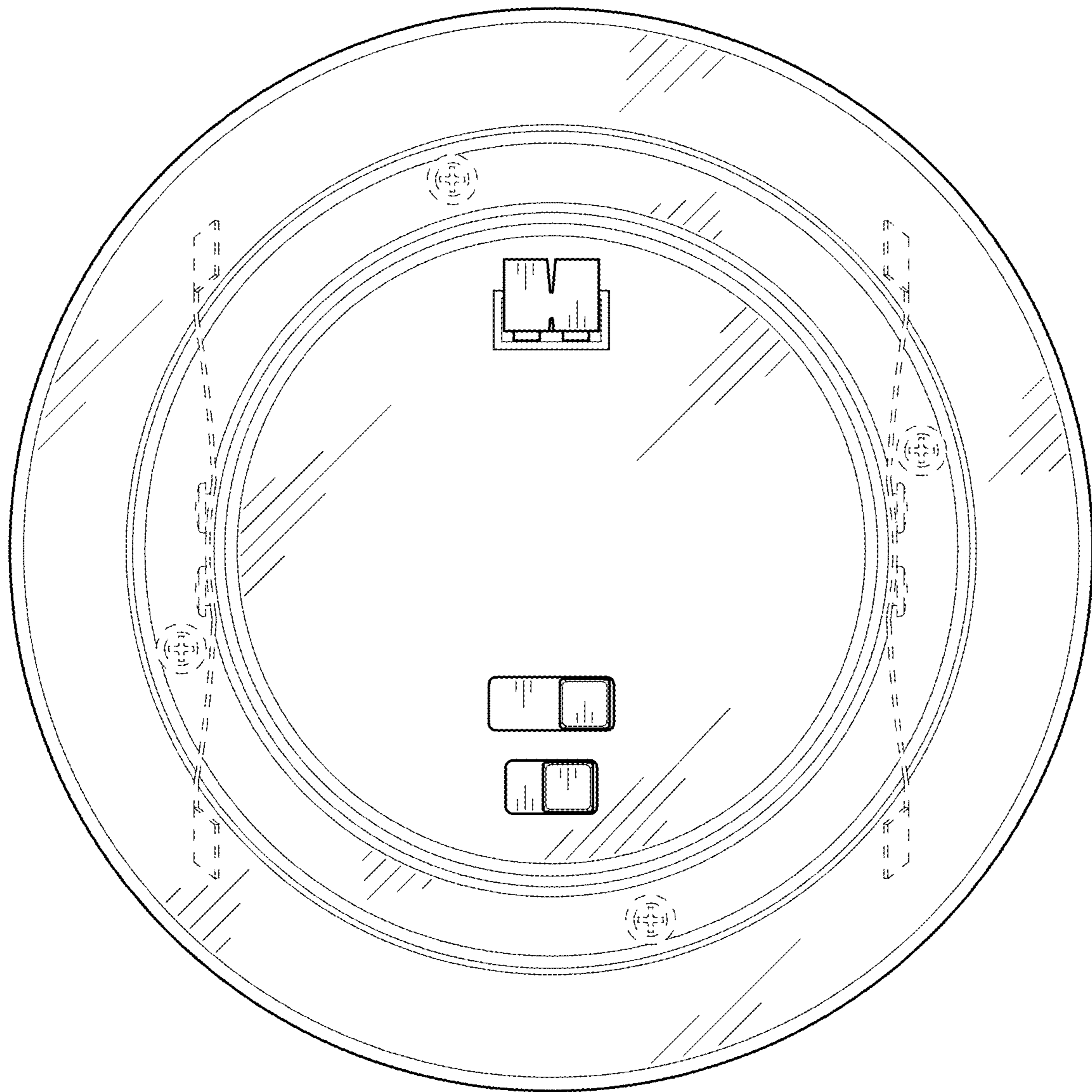


FIG. 3

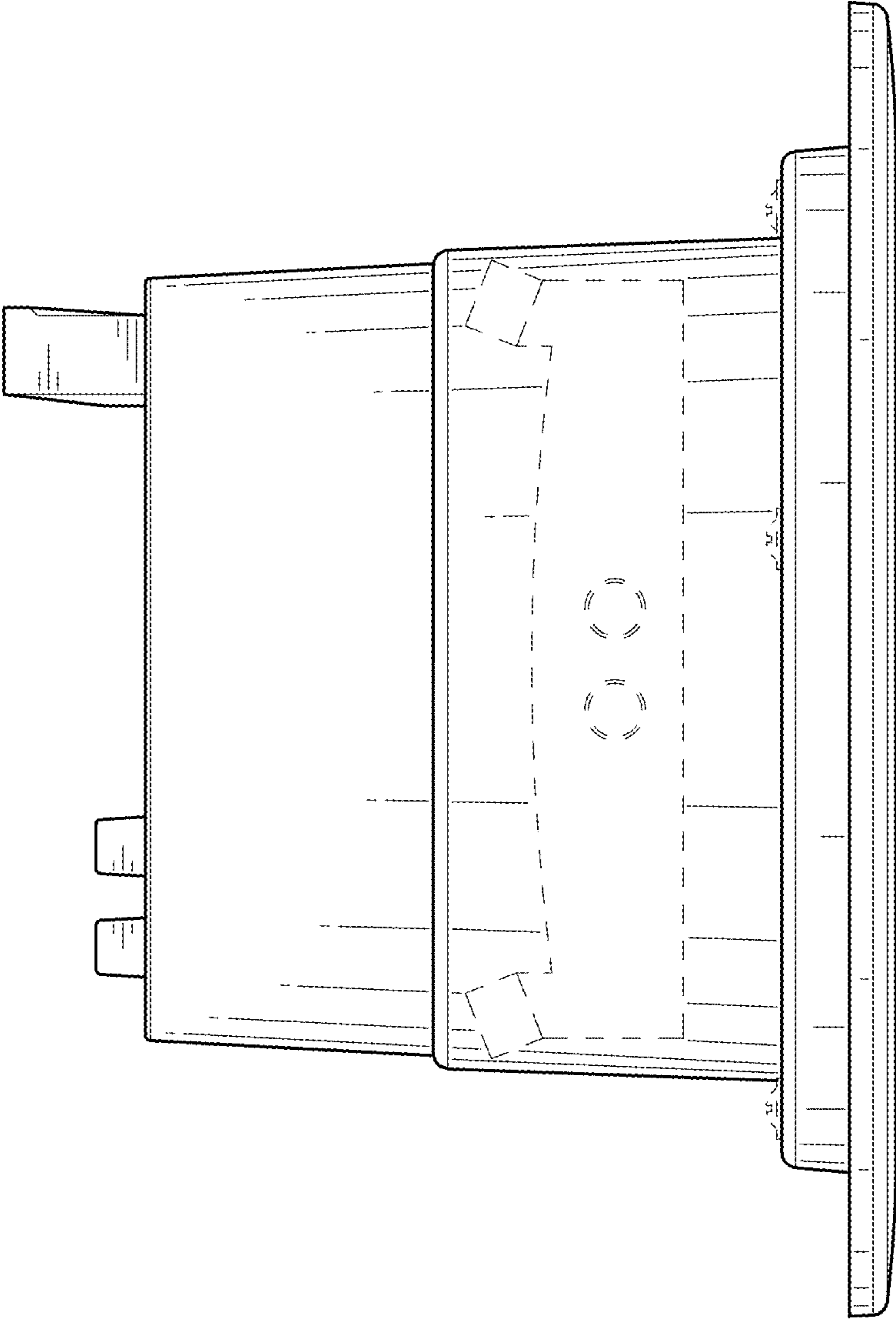


FIG. 4

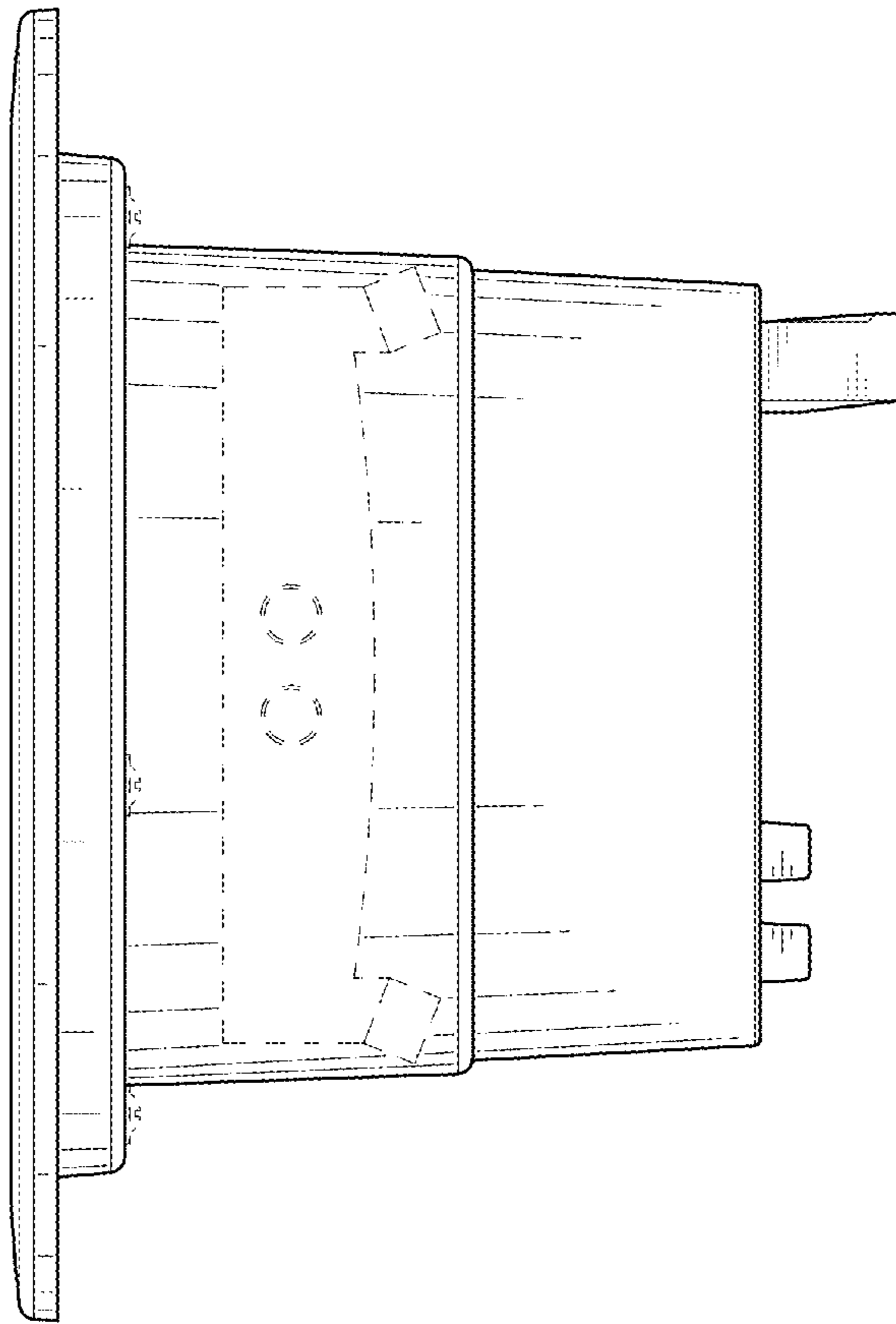


FIG. 5

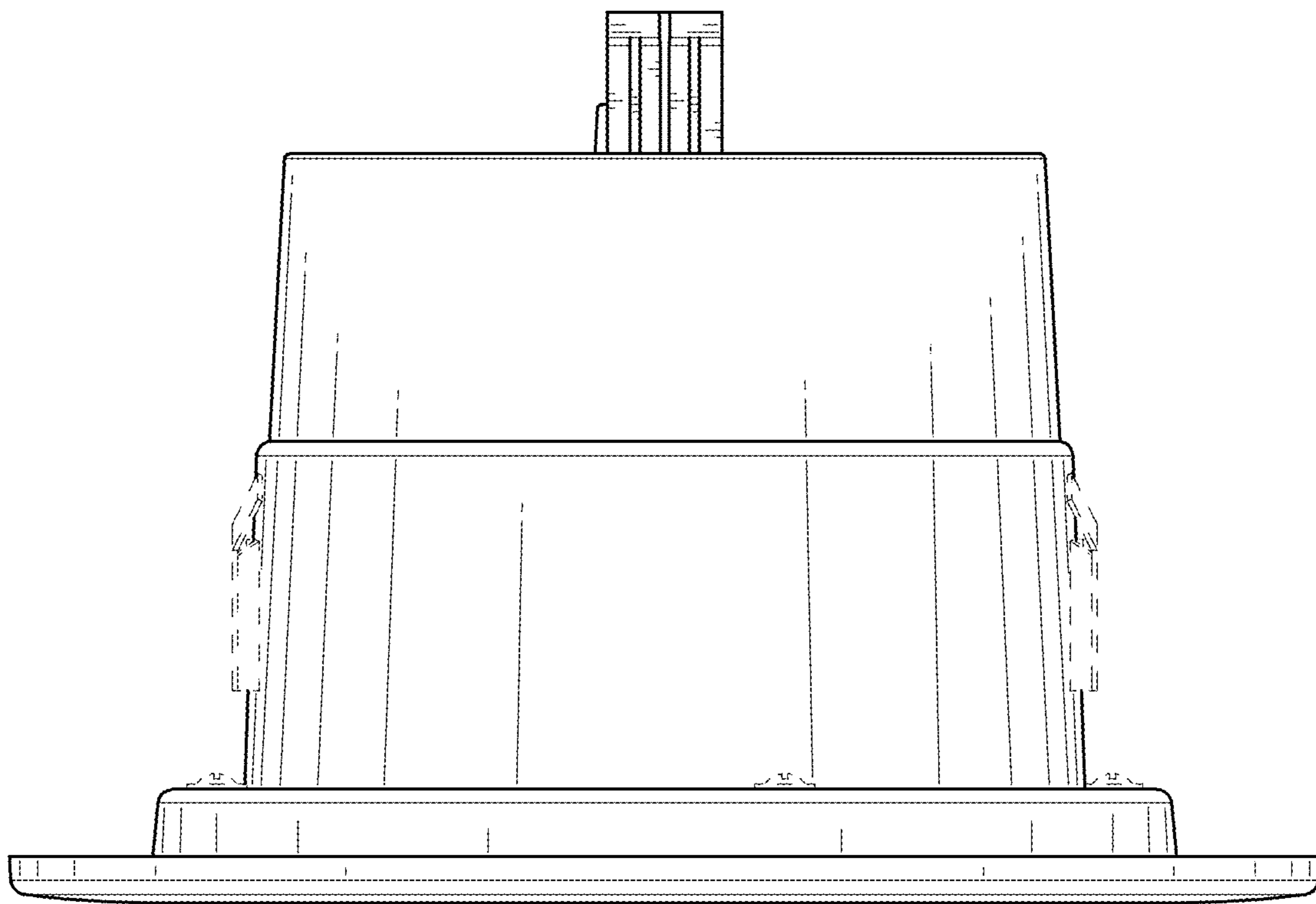


FIG. 6

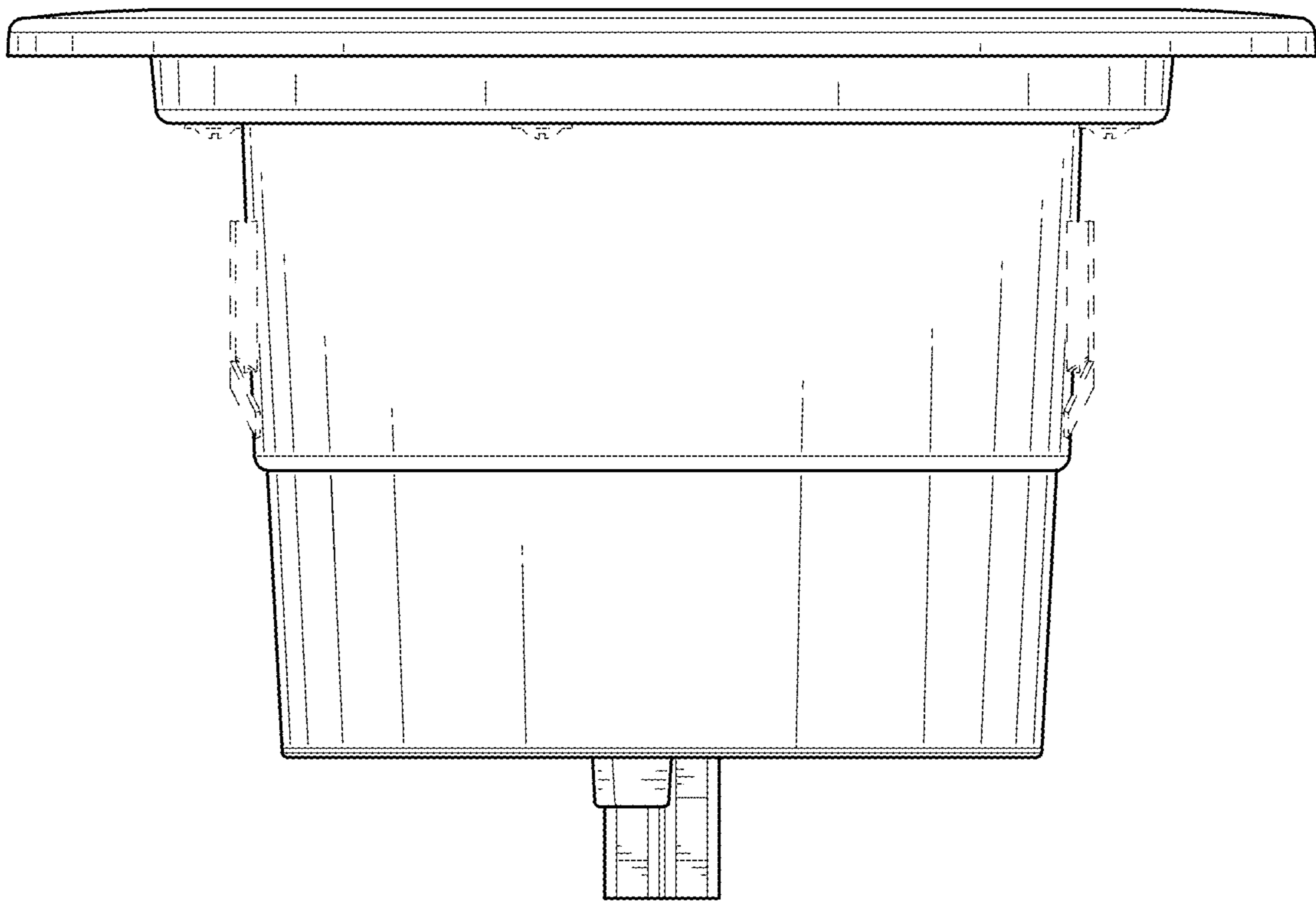


FIG. 7

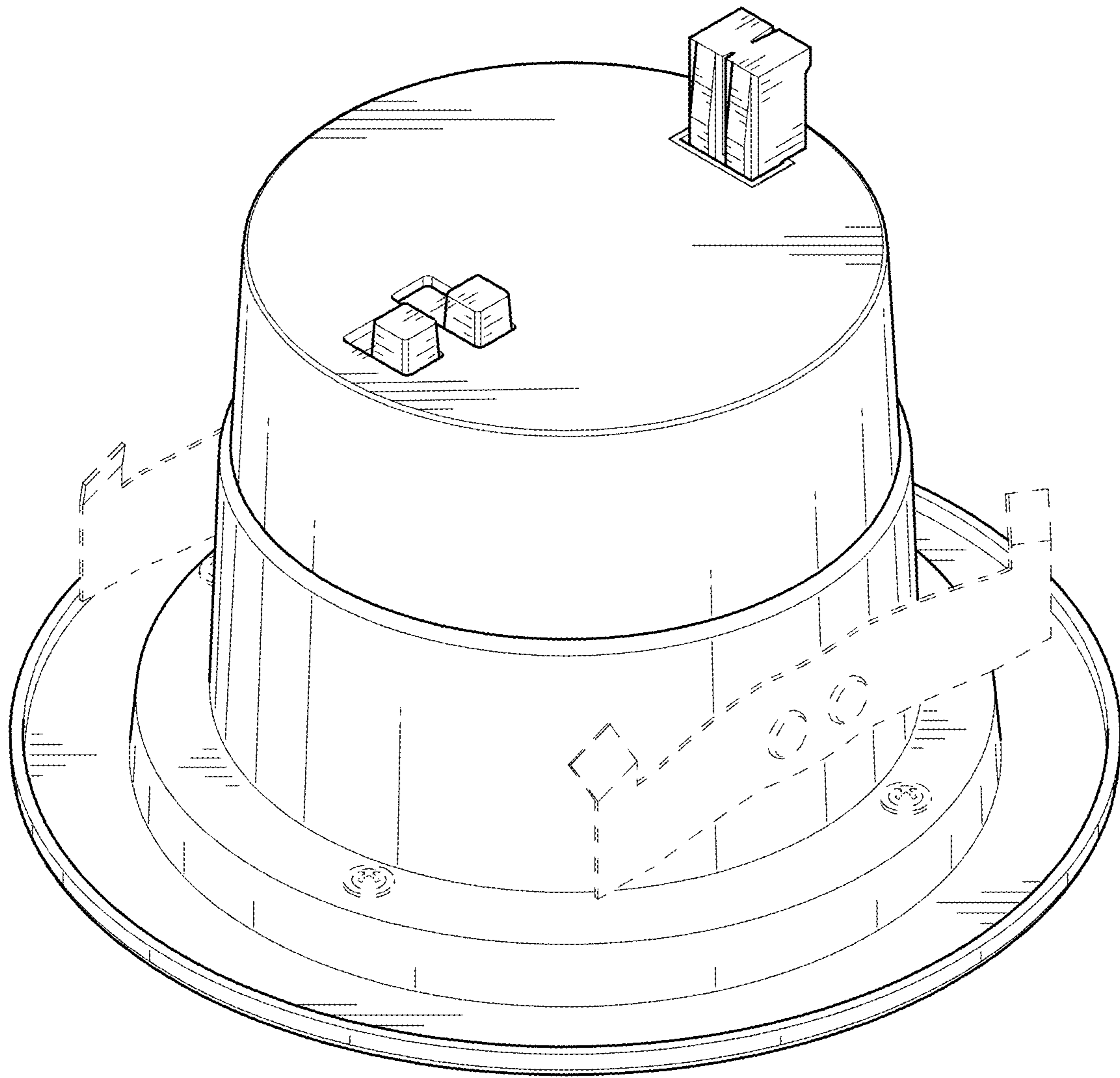


FIG. 8