



US00D947403S

(12) **United States Design Patent**
Ou Yang

(10) **Patent No.:** **US D947,403 S**
(45) **Date of Patent:** **** Mar. 29, 2022**

(54) **ULTRAVIOLET STERILIZATION LAMP**

(56) **References Cited**

(71) Applicant: **SHENZHEN UVLED OPTICAL TECHNOLOGY CO., LTD.**, Shenzhen (CN)

(72) Inventor: **Chen Yi Ou Yang**, Ningyuan County (CN)

(73) Assignee: **SHENZHEN UVLED OPTICAL TECHNOLOGY CO., LTD.**, Shenzhen (CN)

(**) Term: **15 Years**

(21) Appl. No.: **29/746,542**

(22) Filed: **Aug. 14, 2020**

(30) **Foreign Application Priority Data**

Jul. 17, 2020 (CN) 202030391318.3

(51) **LOC (13) Cl.** **24-01**

(52) **U.S. Cl.**
USPC **D24/217**

(58) **Field of Classification Search**
USPC D24/107, 209, 210, 216, 217, 218, 231, D24/232, 234, 133; D26/37, 38, 51; D32/1
CPC ... A61L 2/025; A61L 2/07; A61L 2/10; A61L 2/18; A61L 2/24; A61L 2/26; A61L 2202/10; A61L 2202/11; A61L 2202/14; A61L 2202/23; A61L 2202/24; A61L 2202/122; A61L 2202/182

See application file for complete search history.

U.S. PATENT DOCUMENTS

D722,717 S *	2/2015	Wang	D26/51
D870,313 S *	12/2019	Ou Yang	D24/217
D879,995 S *	3/2020	Ou Yang	D24/217
D880,720 S *	4/2020	Ou Yang	D24/217
D908,239 S *	1/2021	Ou Yang	D24/217
D916,312 S *	4/2021	Zeder	D24/217
D923,811 S *	6/2021	Chen	D24/217

FOREIGN PATENT DOCUMENTS

CN 202030185095.5 * 8/2020

* cited by examiner

Primary Examiner — Anhdao Doan

(74) *Attorney, Agent, or Firm* — Li & Cai Intellectual Property (USA) Office

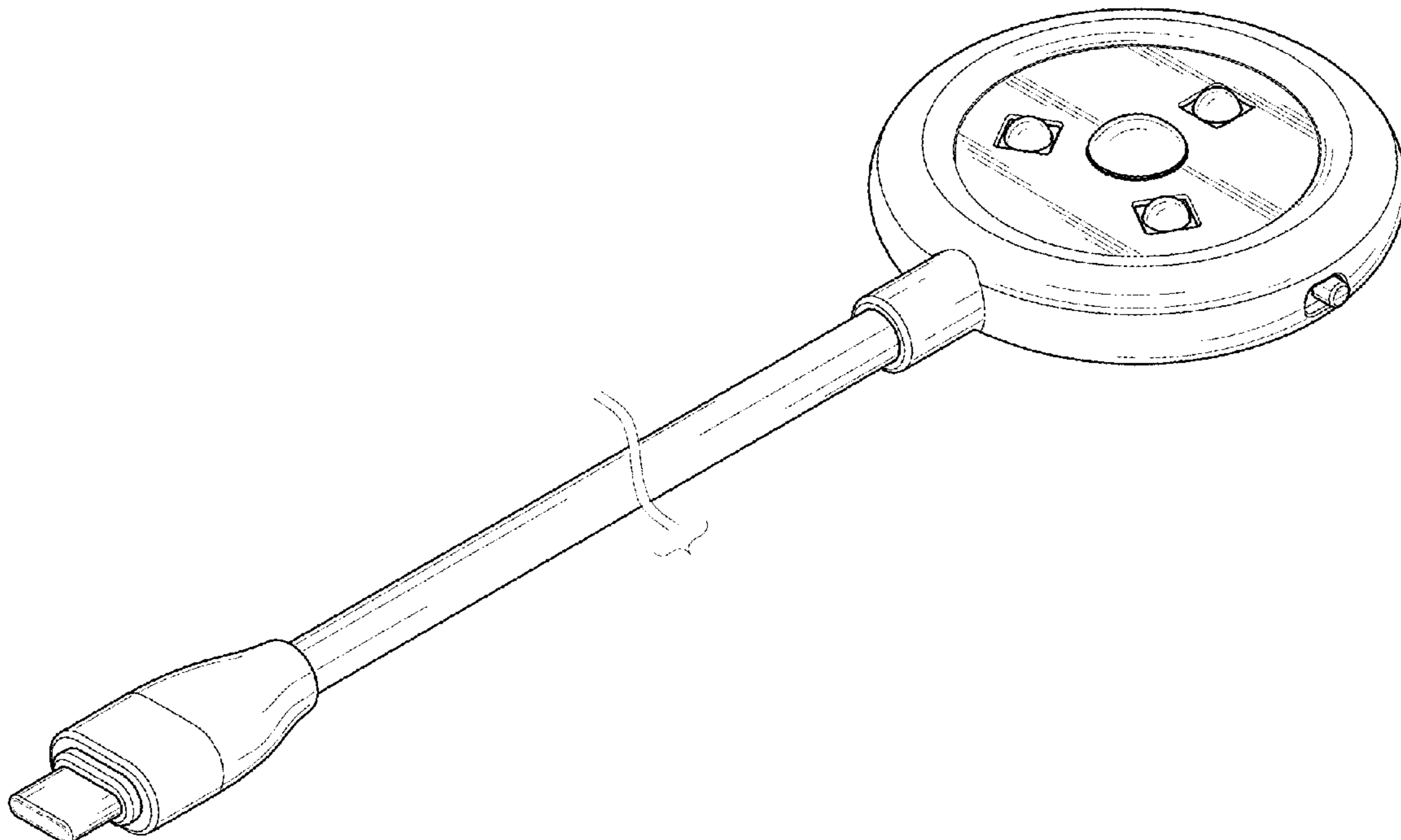
(57) **CLAIM**

The ornamental design for an ultraviolet sterilization lamp, as shown and described.

DESCRIPTION

FIG. 1 is a front, right side and bottom perspective view of an ultraviolet sterilization lamp showing the claimed design; FIG. 2 is a front elevational view thereof; FIG. 3 is a rear elevational view thereof; FIG. 4 is a left side elevational view thereof; FIG. 5 is a right side elevational view thereof; FIG. 6 is a top plan view thereof; and, FIG. 7 is a bottom plan view thereof. The broken lines in the drawing depict portions of the ultraviolet sterilization lamp that form no part of the claimed design.

1 Claim, 6 Drawing Sheets



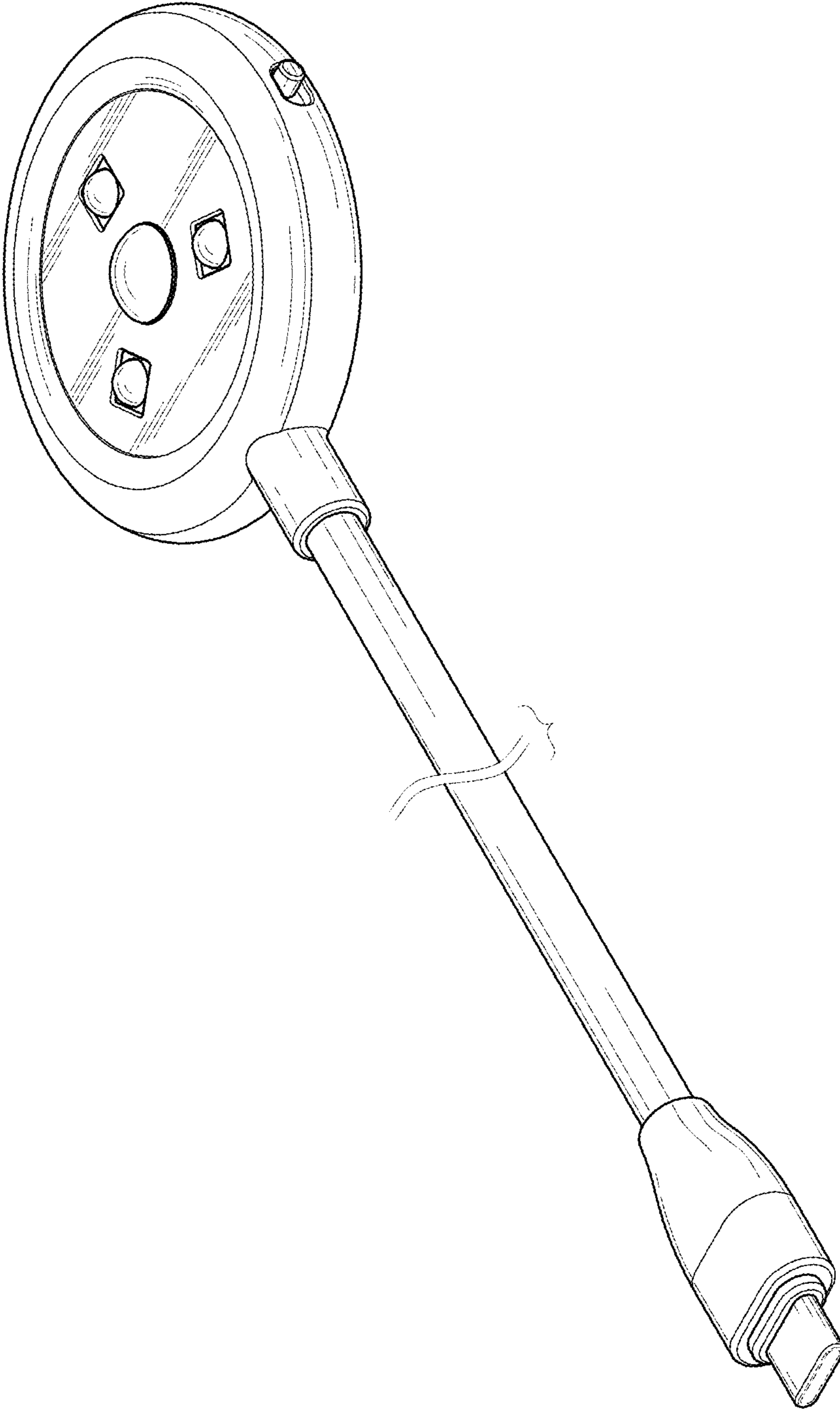


FIG. 1

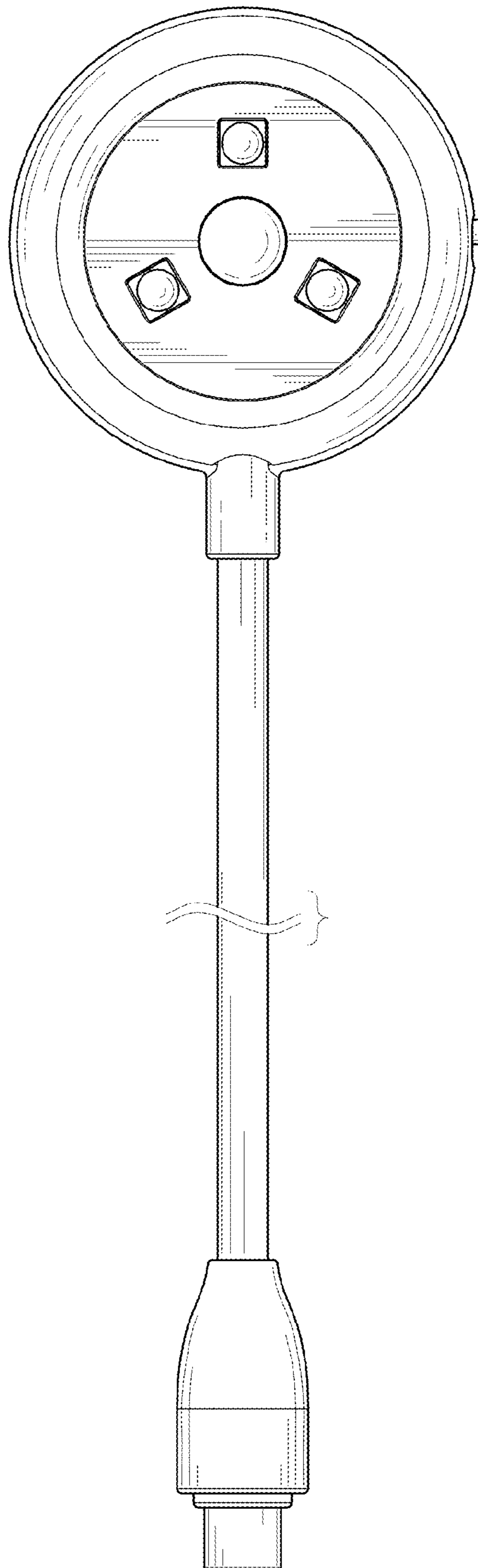


FIG. 2

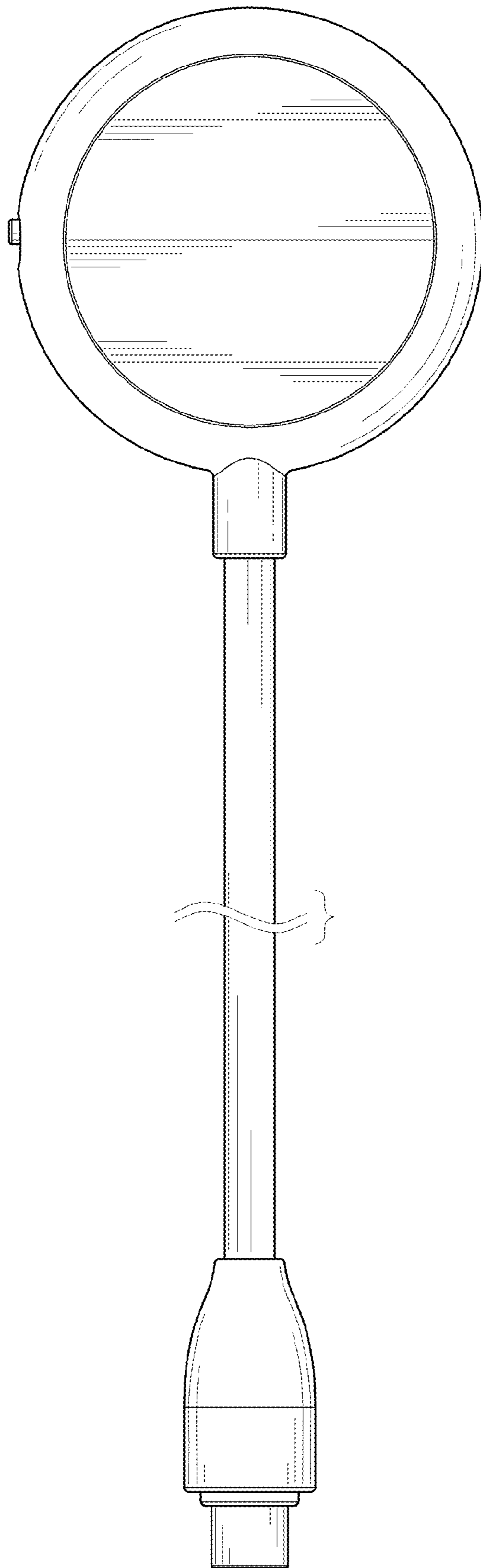


FIG. 3

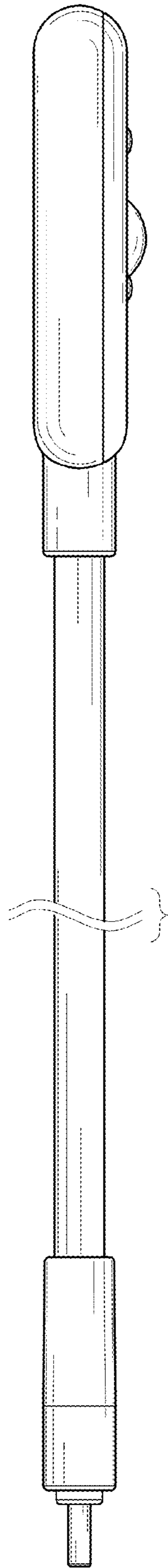


FIG. 4

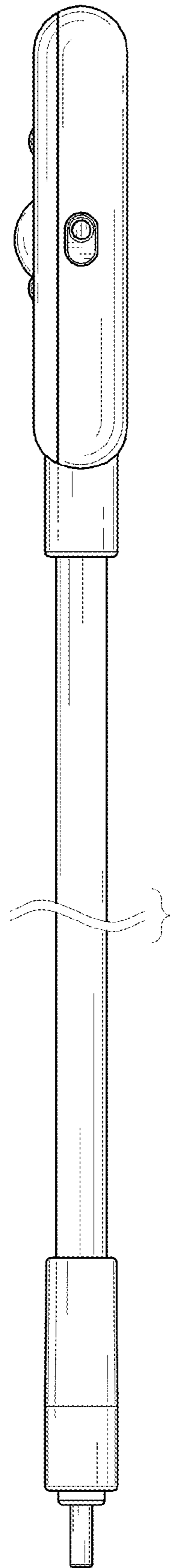


FIG. 5

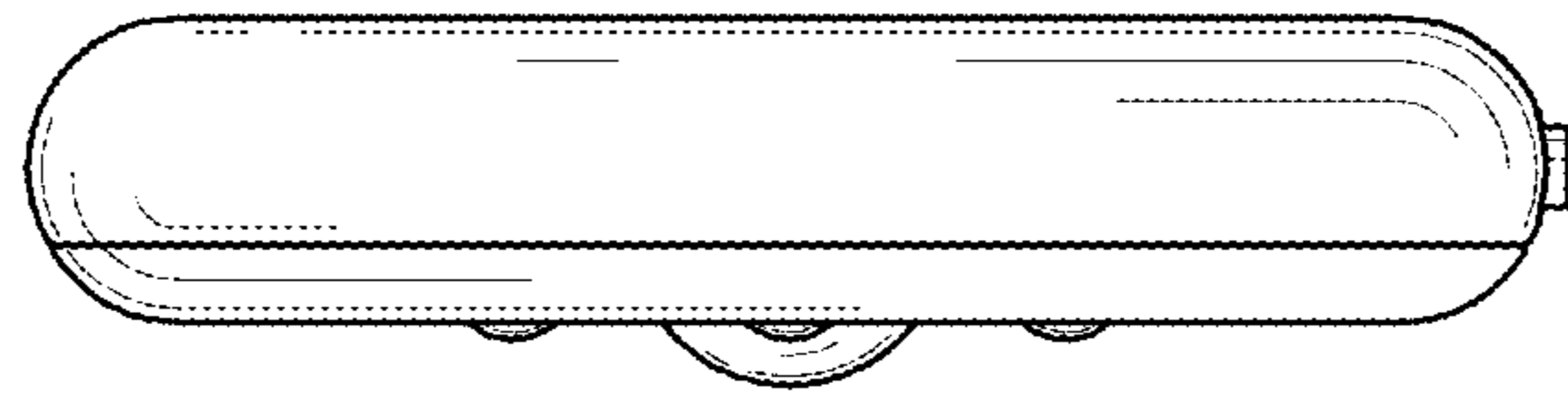


FIG. 6

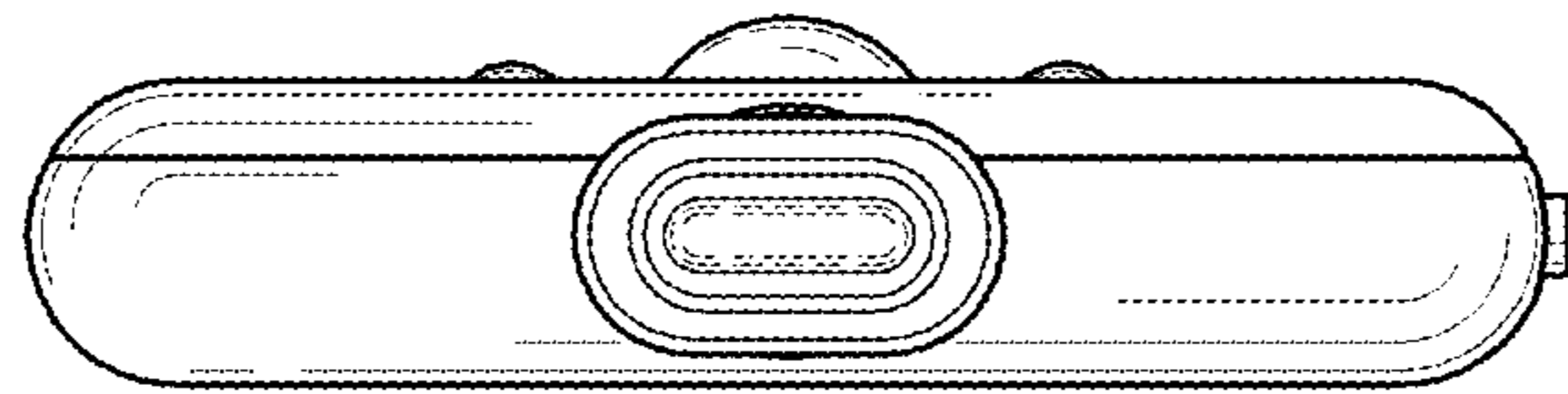


FIG. 7