



US00D947402S

(12) **United States Design Patent** (10) **Patent No.:** **US D947,402 S**  
**Ou Yang** (45) **Date of Patent:** **\*\* Mar. 29, 2022**

(54) **ULTRAVIOLET STERILIZING LAMP**  
(71) Applicant: **SHENZHEN UVLED OPTICAL TECHNOLOGY CO., LTD.**, Shenzhen (CN)  
(72) Inventor: **Chen Yi Ou Yang**, Ningyuan County (CN)  
(73) Assignee: **SHENZHEN UVLED OPTICAL TECHNOLOGY CO., LTD.**, Shenzhen (CN)

(56) **References Cited**  
U.S. PATENT DOCUMENTS  
D722,717 S \* 2/2015 Wang ..... D26/51  
D870,313 S \* 12/2019 Ou Yang ..... D24/217  
D879,995 S \* 3/2020 Ou Yang ..... D24/217  
D880,720 S \* 4/2020 Ou Yang ..... D24/217  
D908,239 S \* 1/2021 Ou Yang ..... D24/217  
D916,312 S \* 4/2021 Zeder ..... D24/217  
D923,811 S \* 6/2021 Chen ..... D24/217

FOREIGN PATENT DOCUMENTS  
CN 202030185095.5 \* 8/2020

(\*\*) Term: **15 Years**  
(21) Appl. No.: **29/746,329**  
(22) Filed: **Aug. 13, 2020**

\* cited by examiner  
*Primary Examiner* — Anhdao Doan  
(74) *Attorney, Agent, or Firm* — Li & Cai Intellectual Property (USA) Office

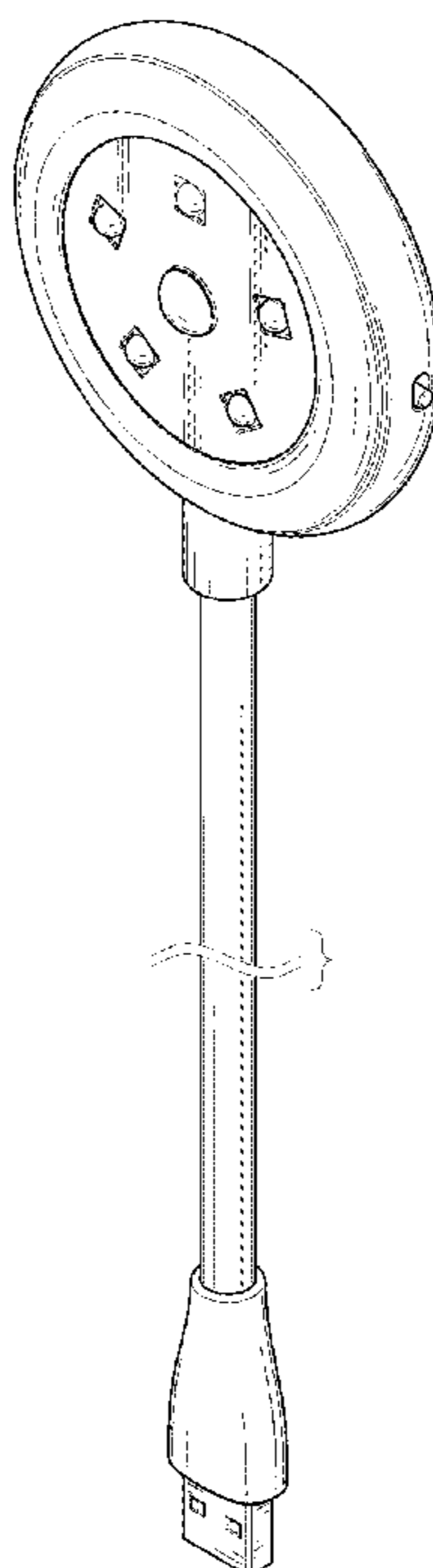
(30) **Foreign Application Priority Data**  
Jun. 24, 2020 (CN) ..... 202030332400.9  
(51) **LOC (13) Cl.** ..... **24-01**  
(52) **U.S. Cl.**  
USPC ..... **D24/217**  
(58) **Field of Classification Search**  
USPC ..... D24/107, 209, 210, 216, 217, 218, 231, D24/232, 234, 133; D26/37, 38, 51; D32/1  
CPC ... A61L 2/025; A61L 2/07; A61L 2/10; A61L 2/18; A61L 2/24; A61L 2/26; A61L 2202/10; A61L 2202/11; A61L 2202/14; A61L 2202/23; A61L 2202/24; A61L 2202/122; A61L 2202/182  
See application file for complete search history.

(57) **CLAIM**  
The ornamental design for an ultraviolet sterilizing lamp, as shown and described.

**DESCRIPTION**

FIG. 1 is a front, right side and top perspective view of an ultraviolet sterilizing lamp showing my new design;  
FIG. 2 is a front elevational view thereof;  
FIG. 3 is a rear elevational view thereof;  
FIG. 4 is a left side elevational view thereof;  
FIG. 5 is a right side elevational view thereof;  
FIG. 6 is a top plan view thereof; and,  
FIG. 7 is a bottom plan view thereof.  
The broken lines in the drawing depict portions of the ultraviolet sterilizing lamp that form no part of the claimed design.

**1 Claim, 6 Drawing Sheets**



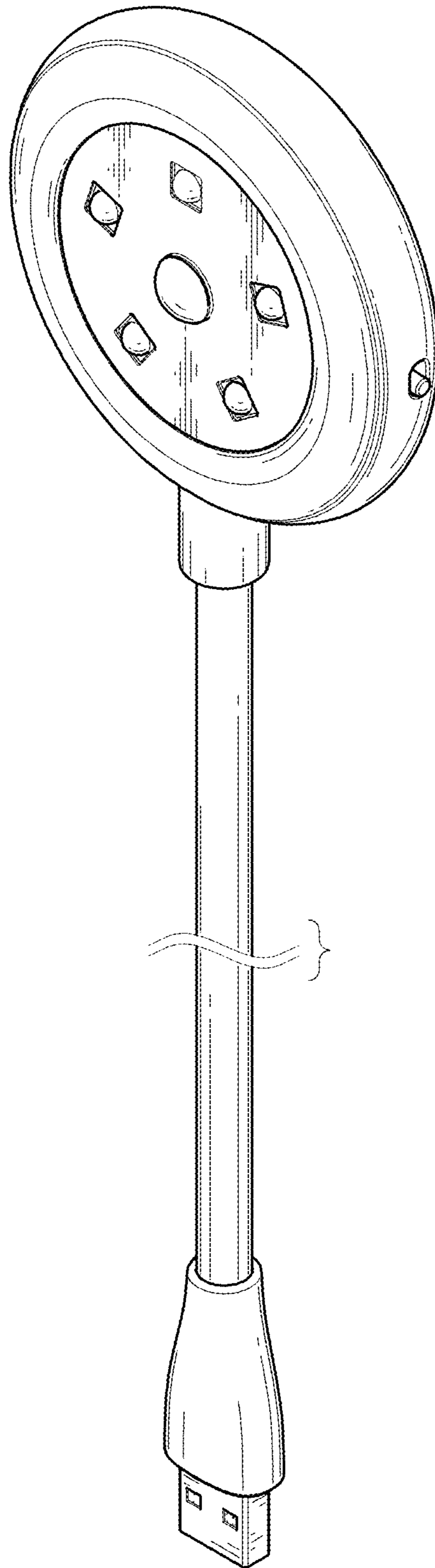


FIG. 1

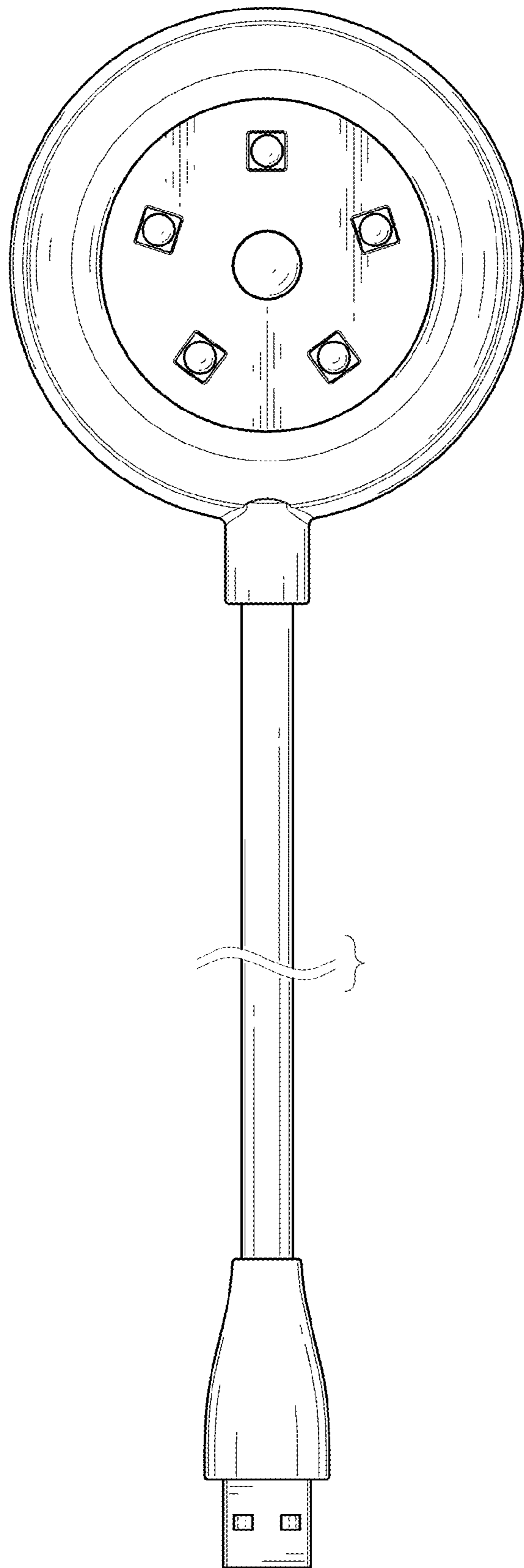


FIG. 2

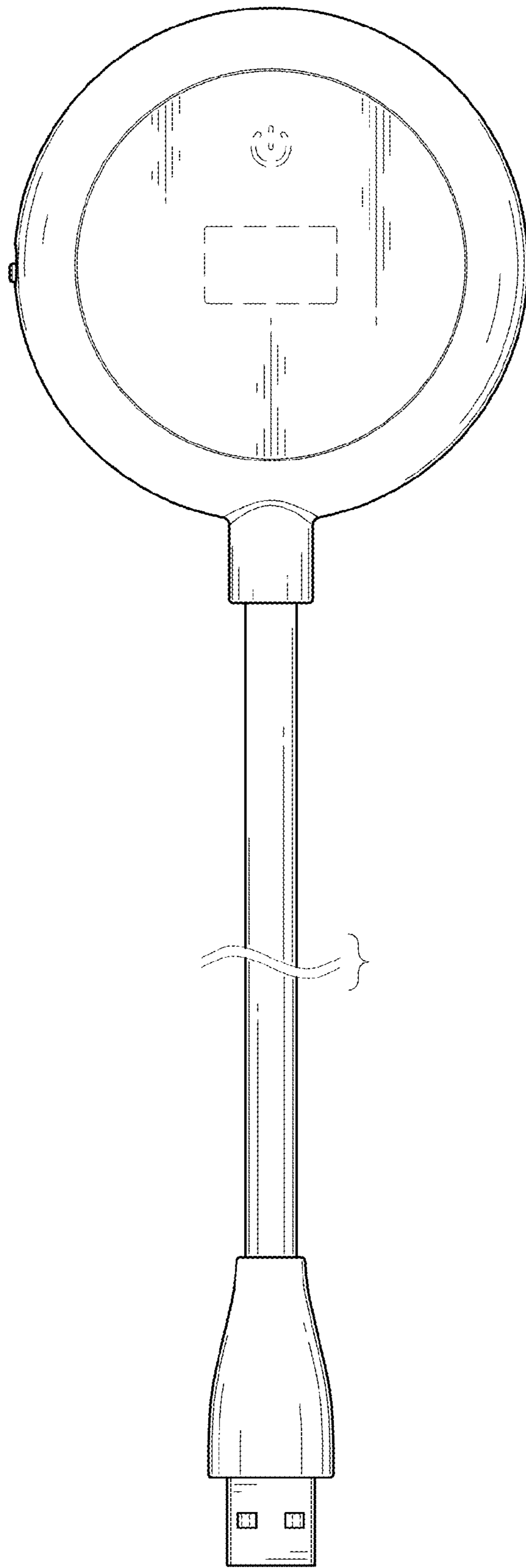


FIG. 3

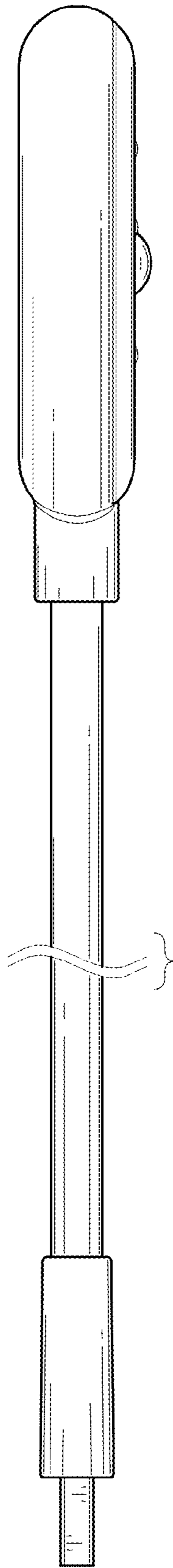


FIG. 4

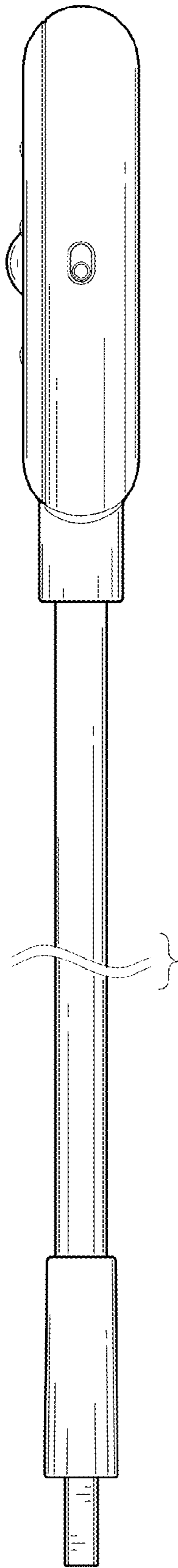


FIG. 5

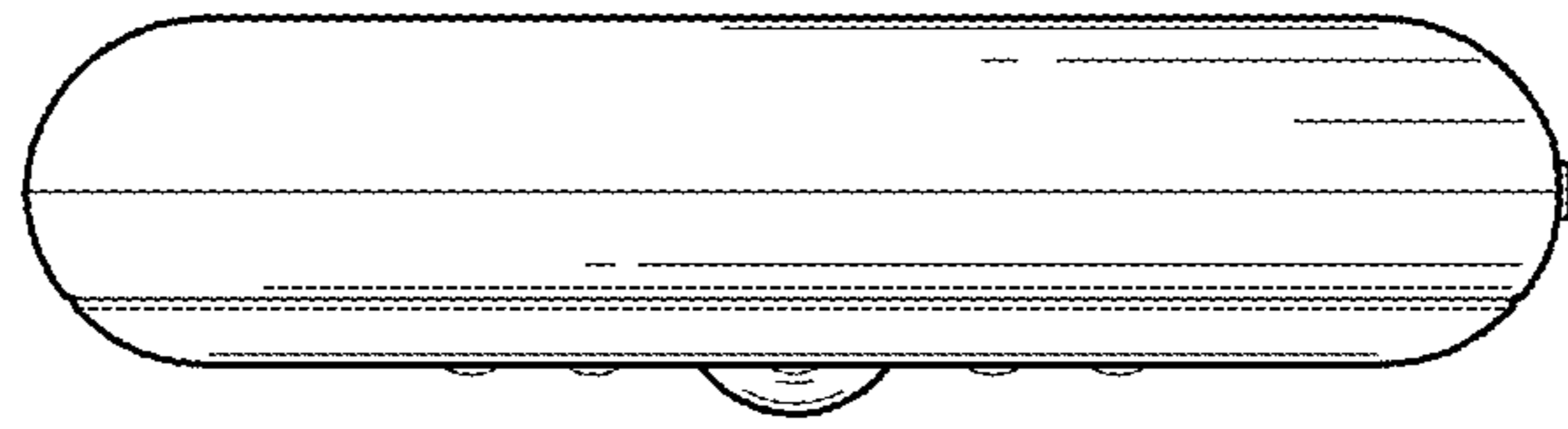


FIG. 6

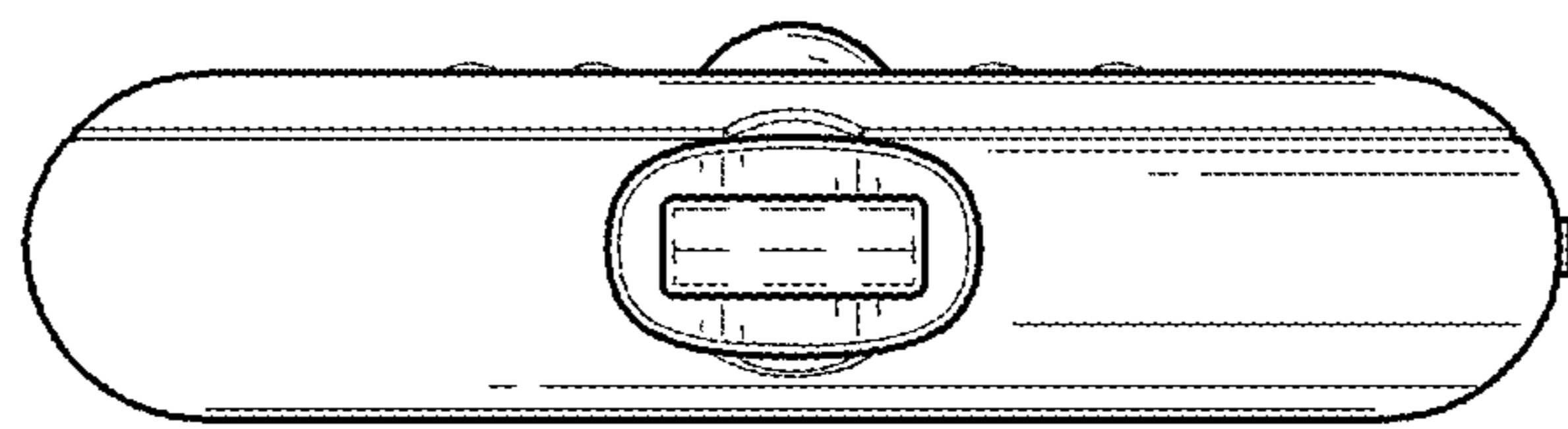


FIG. 7