



US00D947401S

(12) **United States Design Patent** (10) **Patent No.:** **US D947,401 S**
Schreiber (45) **Date of Patent:** **** Mar. 29, 2022**

(54) **CELL STRAINER**

(71) Applicant: **Greiner Bio-One GmbH**,
Frickenhausen (DE)

(72) Inventor: **Thomas Schreiber**, Frickenhausen
(DE)

(**) Term: **15 Years**

(21) Appl. No.: **35/510,103**

(22) Filed: **Aug. 3, 2020**

(80) **Hague Agreement Data**

Int. Filing Date: **Aug. 3, 2020**
Int. Reg. No.: **DM/209757**
Int. Reg. Date: **Aug. 3, 2020**
Int. Reg. Pub. Date: **Aug. 21, 2020**

(30) **Foreign Application Priority Data**

Feb. 4, 2020 (EM) 007657580-0009

(51) **LOC (13) Cl.** **24-01**

(52) **U.S. Cl.**
USPC **D24/216**

(58) **Field of Classification Search**
USPC D24/216
CPC B01D 29/085; B01D 35/306; B01D
2201/30; B01D 23/28; B01D 29/01;
C12M 47/02; C12M 29/04; C12M 33/14;
C12M 47/04; C12M 47/08; C12M 1/28;
C12M 1/40; B01L 2300/0681; B01L
2200/023

See application file for complete search history.

(56) **References Cited**

U.S. PATENT DOCUMENTS

D917,693 S * 4/2021 Lev D24/129
11,090,646 B2 * 8/2021 Ronsick C12Q 1/04
2013/0017620 A1 * 1/2013 Scott B01D 63/06
436/177
2019/0283028 A1 * 9/2019 Demia B01L 3/563
2021/0017484 A1 * 1/2021 Taki B01D 29/11
2021/0255182 A1 * 8/2021 Vistisen B01L 3/508

* cited by examiner

Primary Examiner — Michael A. Pratt

(57) **CLAIM**

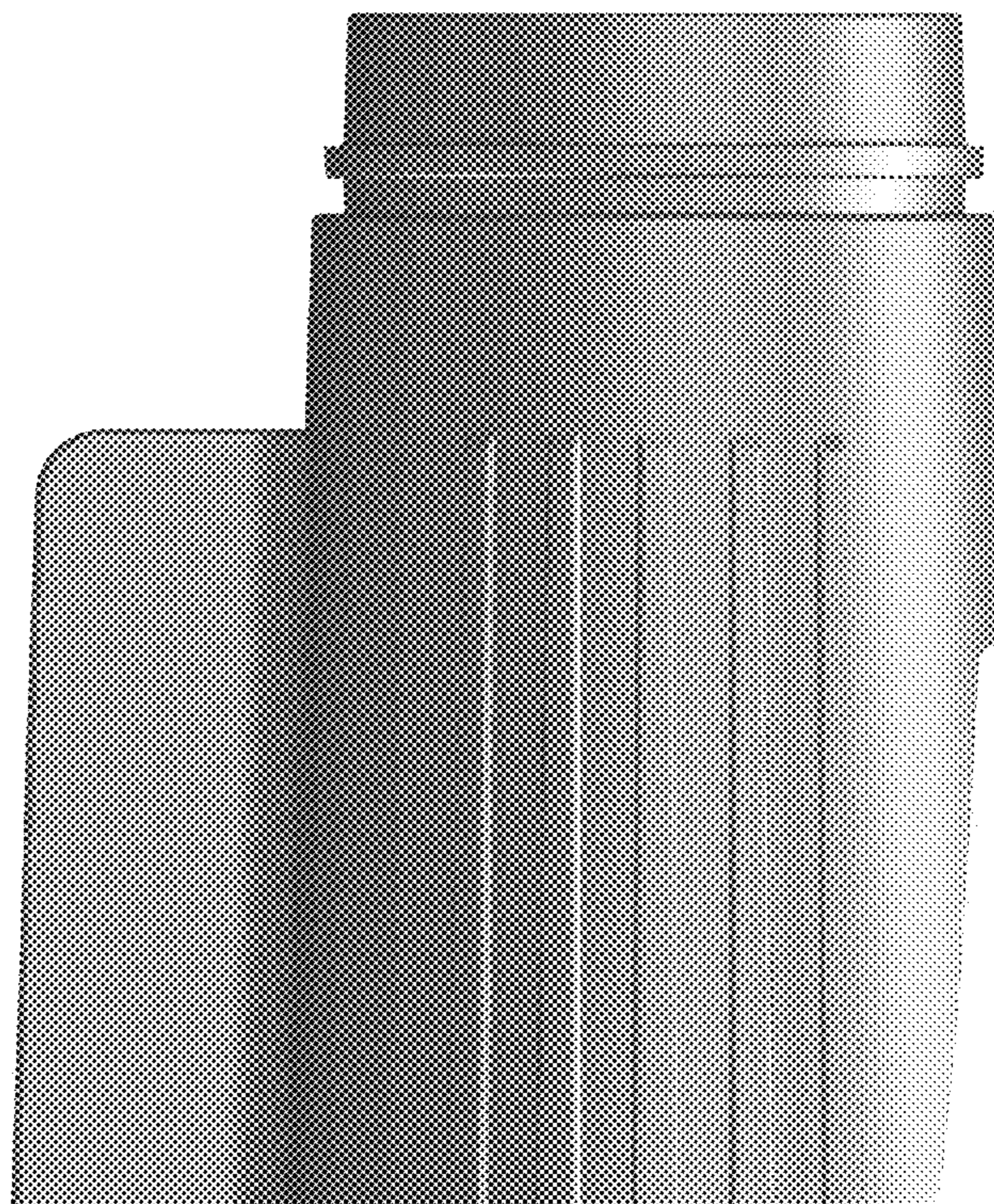
The ornamental design for a cell strainer, as shown and described.

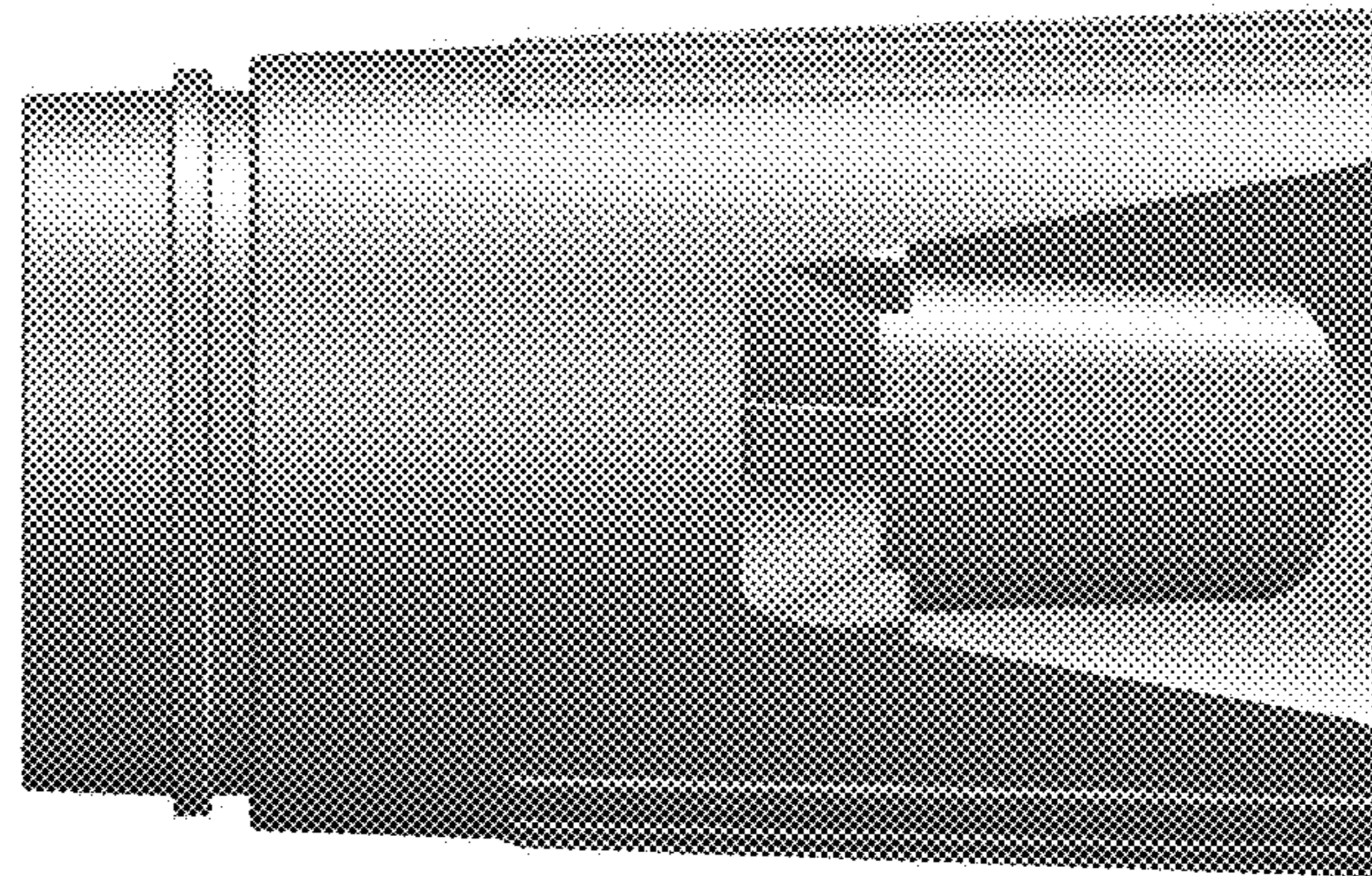
DESCRIPTION

- 1. Cell strainer
- 1.1 : Front
- 1.2 : Back
- 1.3 : Left
- 1.4 : Right
- 1.5 : Top
- 1.6 : Bottom

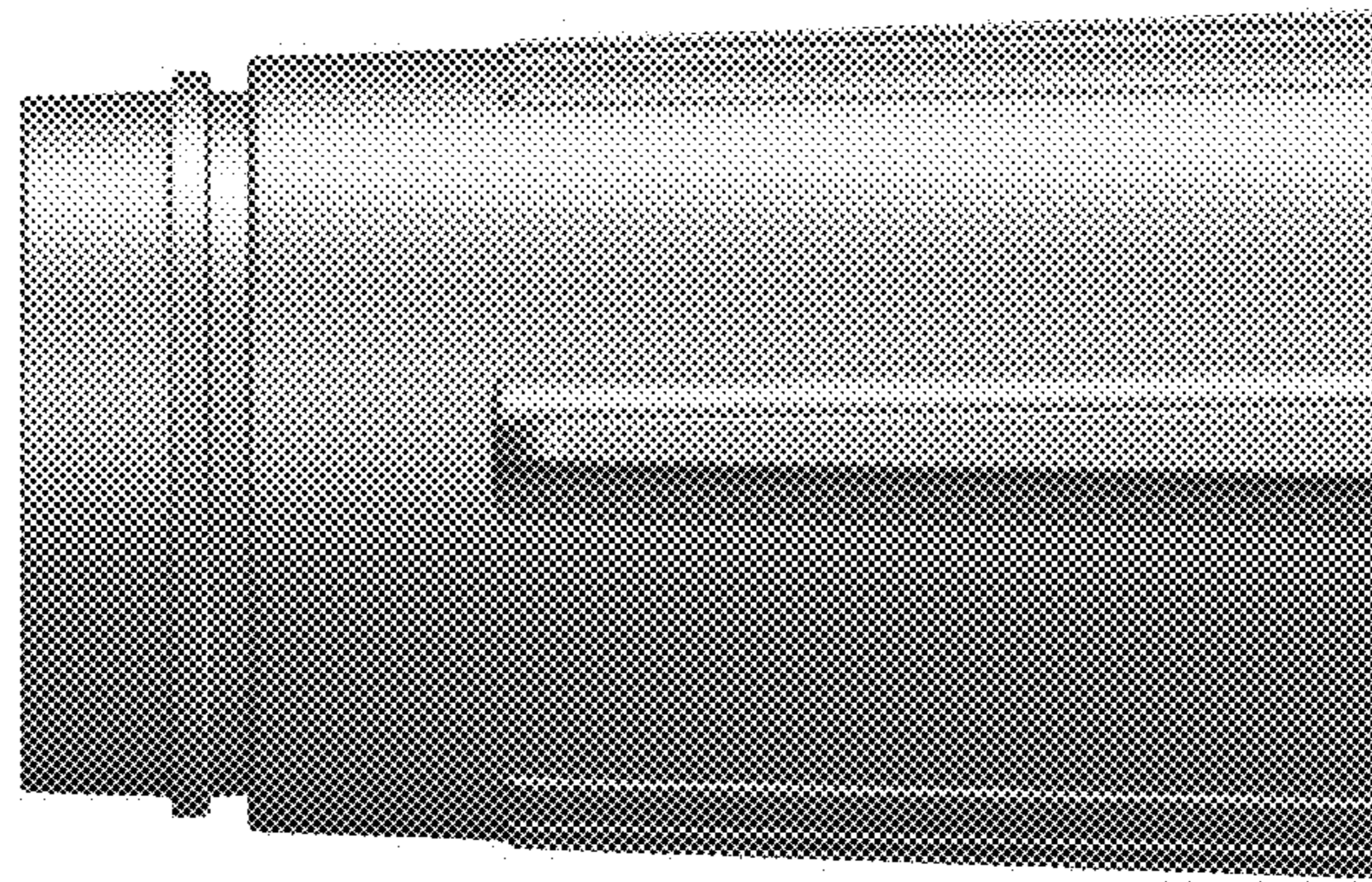
The portion of the design shown in the relatively light gray area shown in FIG. 1.5 is for the purpose of illustrating environment and forms no part of the claimed design.

1 Claim, 6 Drawing Sheets

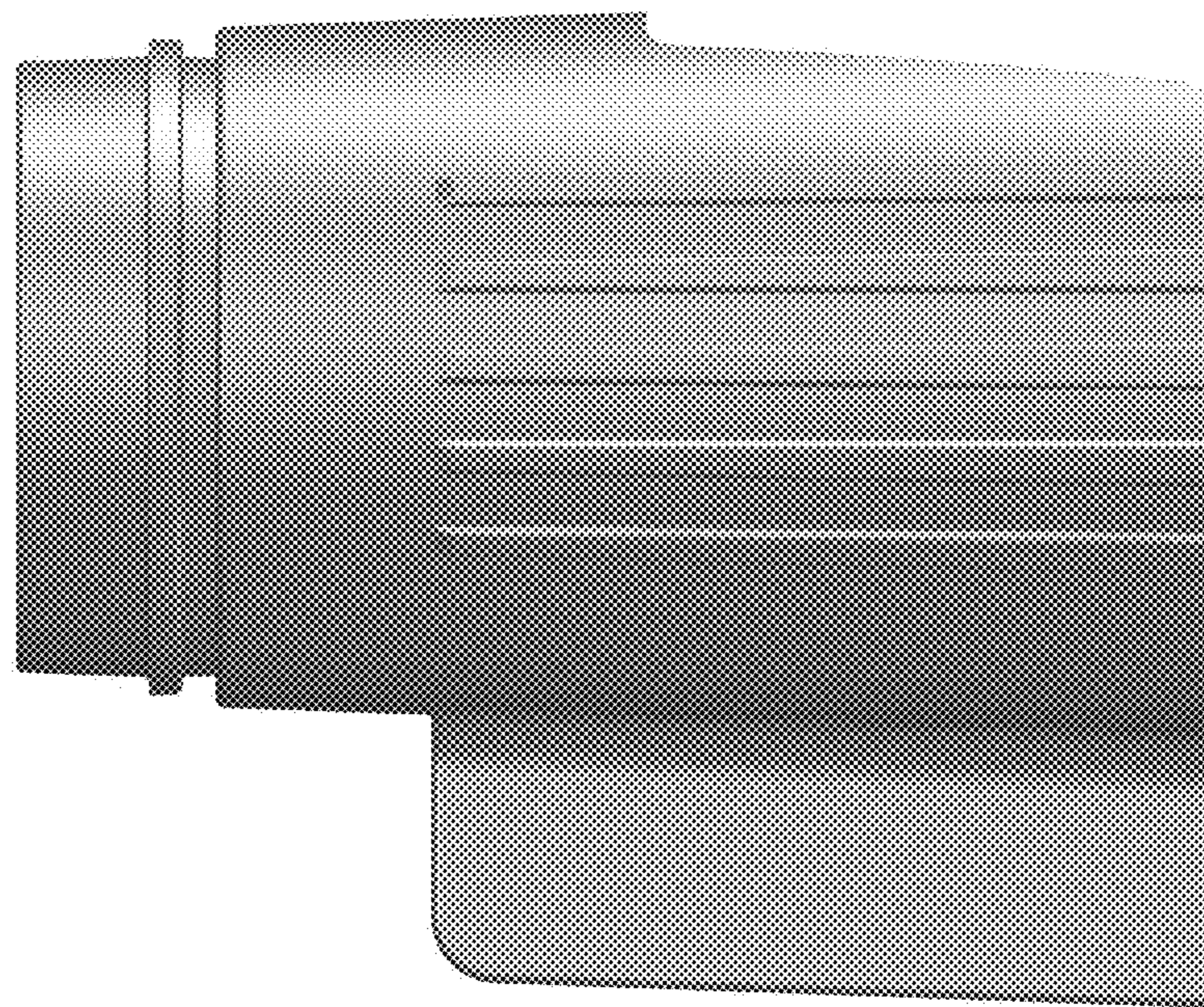




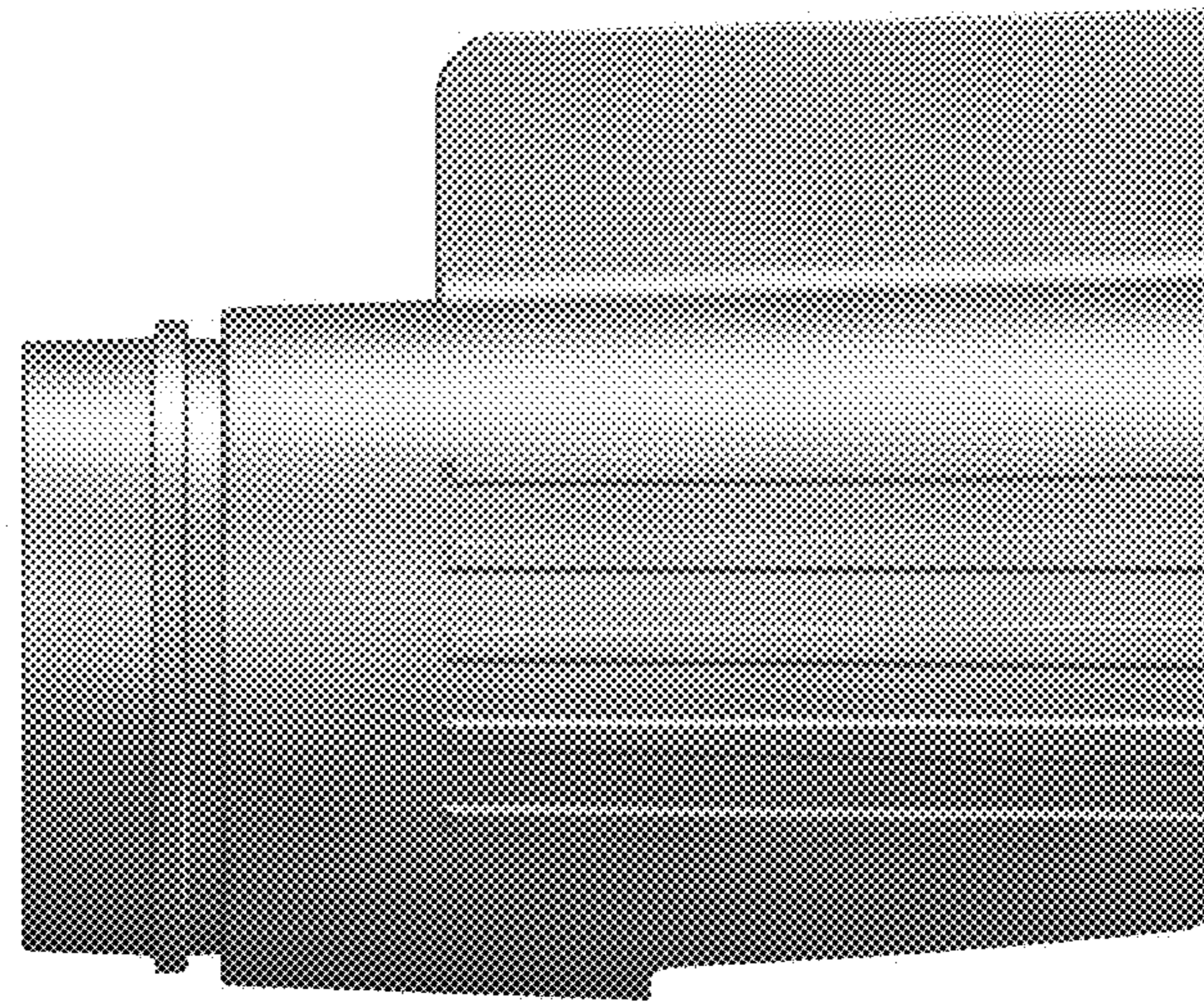
1.1



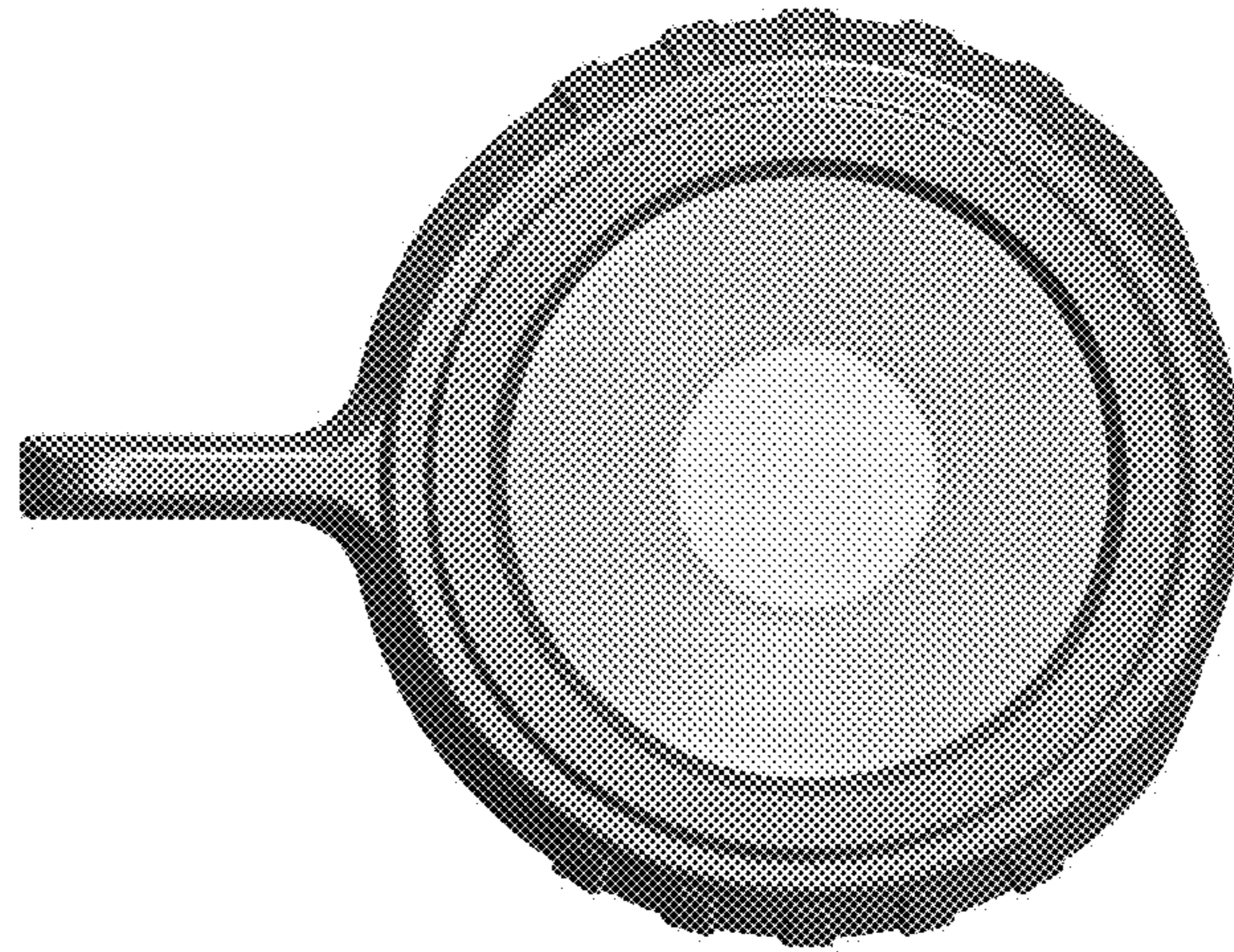
1.2



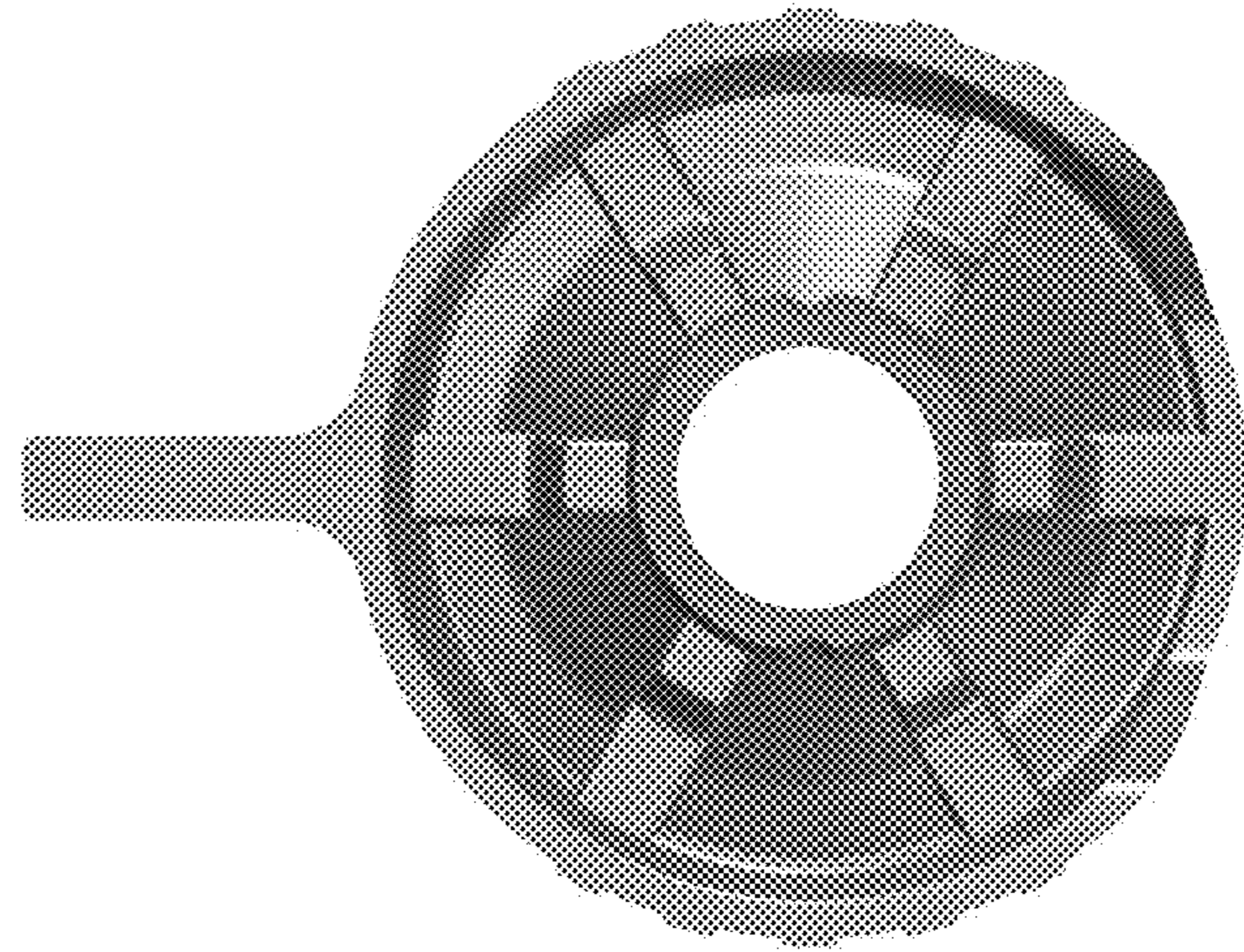
1.3



1.4



1.5



1.6