



US00D947400S

(12) **United States Design Patent**
Mao

(10) **Patent No.:** **US D947,400 S**

(45) **Date of Patent:** **** Mar. 29, 2022**

(54) **MESSAGE APPARATUS**

(71) Applicant: **SHENZHEN VOKUL SPORT EQUIPMENT CO., LTD**, Guangdong (CN)

(72) Inventor: **Shuhuang Mao**, GuangDong (CN)

(**) Term: **15 Years**

(21) Appl. No.: **29/778,144**

(22) Filed: **Apr. 12, 2021**

(51) **LOC (13) Cl.** **28-03**

(52) **U.S. Cl.**
USPC **D24/214; D24/215**

(58) **Field of Classification Search**
USPC D24/215, 200, 211, 212, 213, 214, 133, 231
CPC A61H 15/00; A61H 2015/0014; A61H 2015/0042; A61H 15/0092; A61H 21/00; A61H 39/00; A61H 39/02; A61H 7/00
See application file for complete search history.

(56) **References Cited**

U.S. PATENT DOCUMENTS

D402,764 S *	12/1998	Chatfield	D24/211
D403,431 S *	12/1998	Gladieux, Jr.	D24/215
6,241,693 B1 *	6/2001	Lambden	A61H 7/001 601/119
6,261,251 B1 *	7/2001	Meyers	A61H 7/001 601/134
D590,510 S *	4/2009	Johansen	D24/214
D646,794 S *	10/2011	Hennessey	D24/214
D685,106 S	6/2013	Mills et al.	
D689,620 S *	9/2013	Louis	D24/215
D742,534 S *	11/2015	Bains	D24/214
D750,796 S *	3/2016	Bains	D24/214
D765,872 S *	9/2016	Blaskovich	D24/214

D769,454 S *	10/2016	Hong	D24/215
D918,406 S *	5/2021	Elul	D24/214
2013/0023807 A1 *	1/2013	Hennessey	A61H 7/003 601/119

OTHER PUBLICATIONS

Body Back Buddy Elite. Date: Nov. 9, 2013. [online]. [Site visited Jan. 6, 2022]. Available from Internet URL: <https://www.amazon.com/dp/B005F9F5H4/?th=1> (Year: 2013).*

Liba—Back and Neck Massager. Date: Jul. 21, 2019. [online]. [Site visited Dec. 30, 2021]. Available from Internet URL: <https://www.walmart.com/ip/Liba-Back-and-Neck-Massager-for-Trigger-Point-Fibromyalgia-Pain-Relief-Self-Massage-Hook-Cane-Therapy/882993087> (Year: 2019).*

Massagers. (Design—© Questel) orbit.com. [Online PDF compilation of references] 11 pgs. Print Dates Range Jun. 24, 2015-Dec. 15, 2020 [Retrieved Jan. 6, 2022] <https://www.orbit.com/export/UCZAH96B/pdf4/746f4d2f-b445-4479-b17d-7d93f3d0c3c8-192918.pdf> (Year: 2022).*

* cited by examiner

Primary Examiner — Susan Bennett Hattan
Assistant Examiner — Landon Thomas Cassell

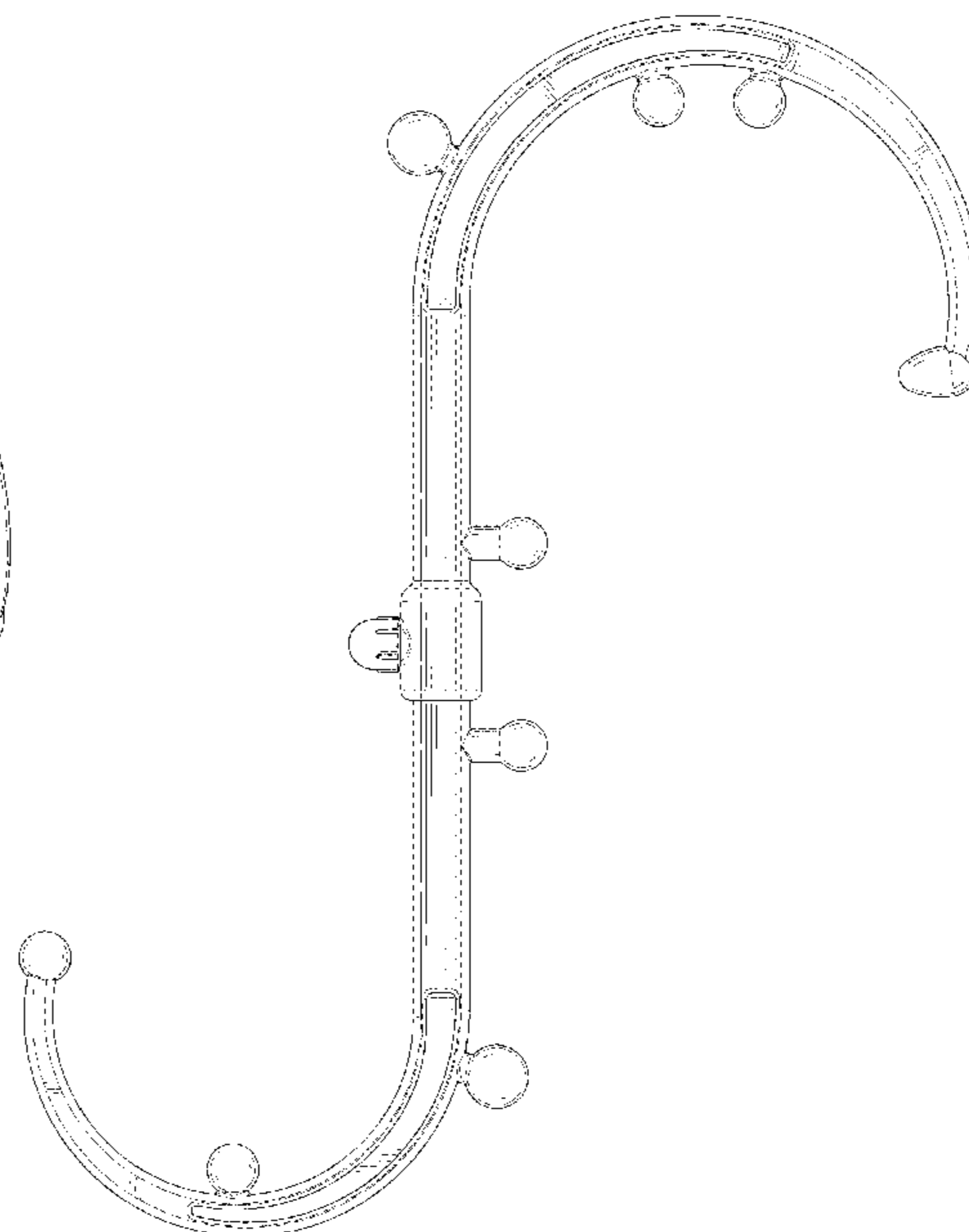
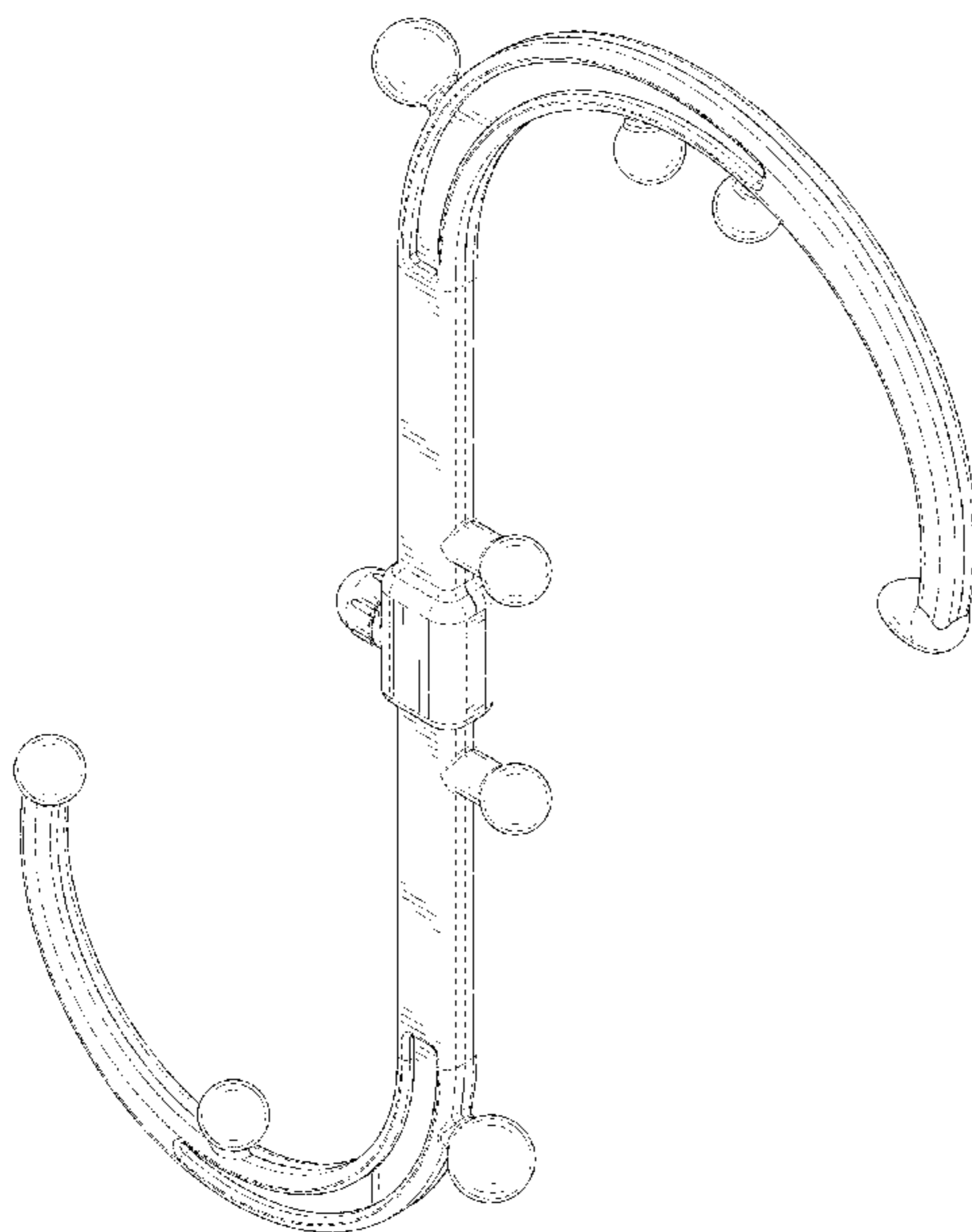
(57) **CLAIM**

The ornamental design for a massage apparatus, as shown and described.

DESCRIPTION

FIG. 1 is a front and top perspective view of a massage apparatus, showing my new design;
FIG. 2 is a rear and bottom perspective view thereof;
FIG. 3 is a front elevation view thereof;
FIG. 4 is a rear elevation view thereof;
FIG. 5 is a left side elevation view thereof;
FIG. 6 is a right side elevation view thereof;
FIG. 7 is a top plan view thereof; and,
FIG. 8 is a bottom plan view thereof.

1 Claim, 8 Drawing Sheets



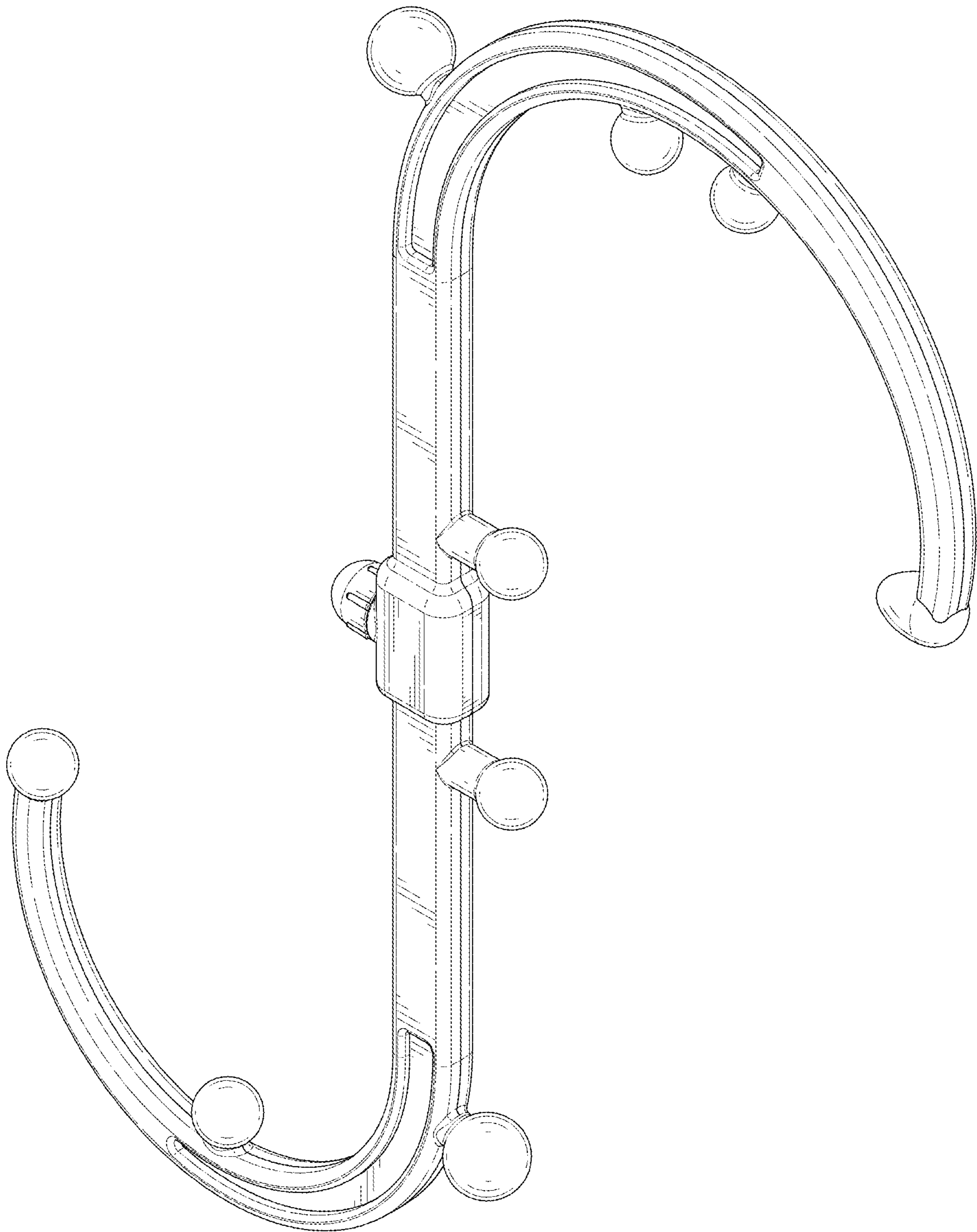


FIG. 1

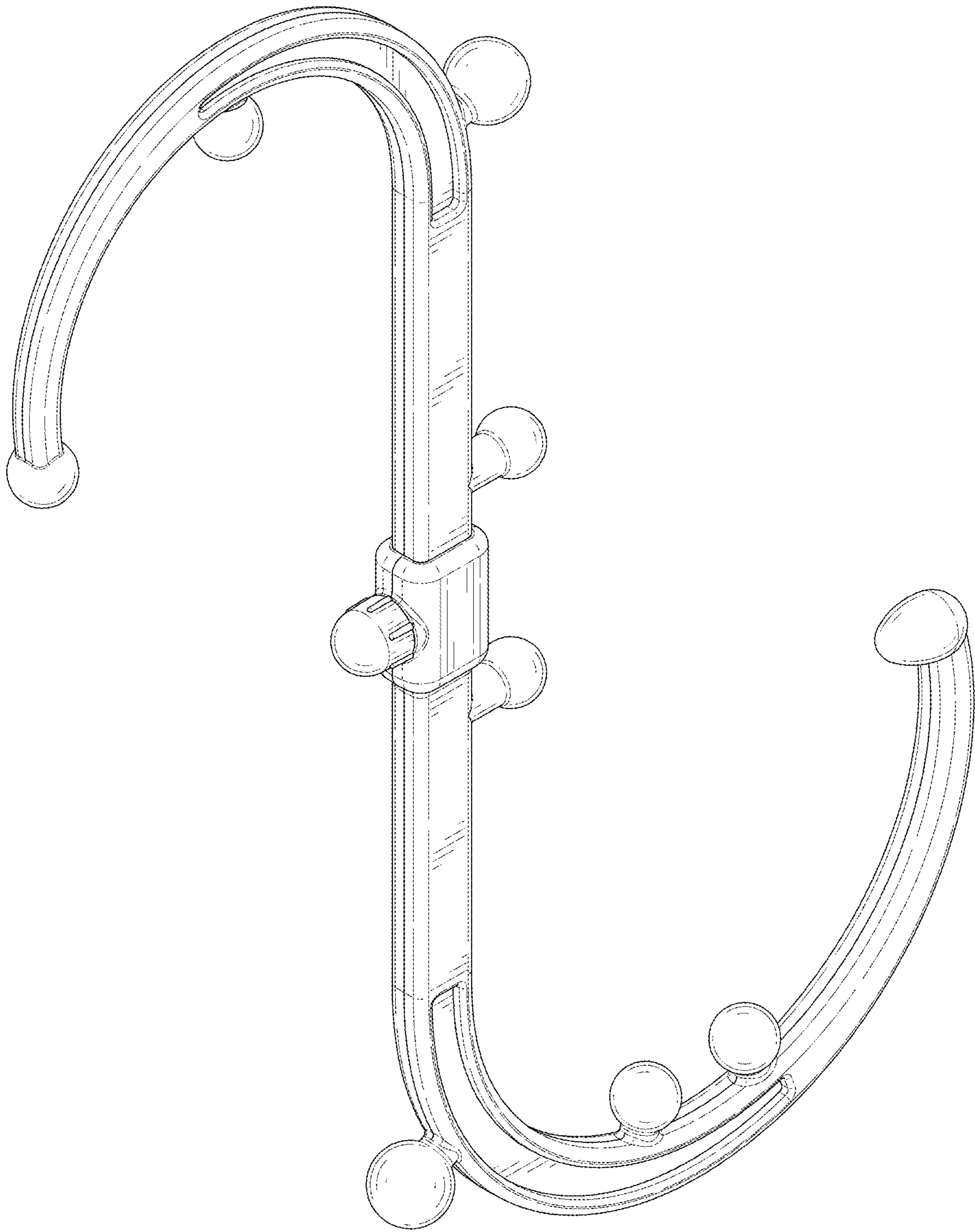


FIG. 2

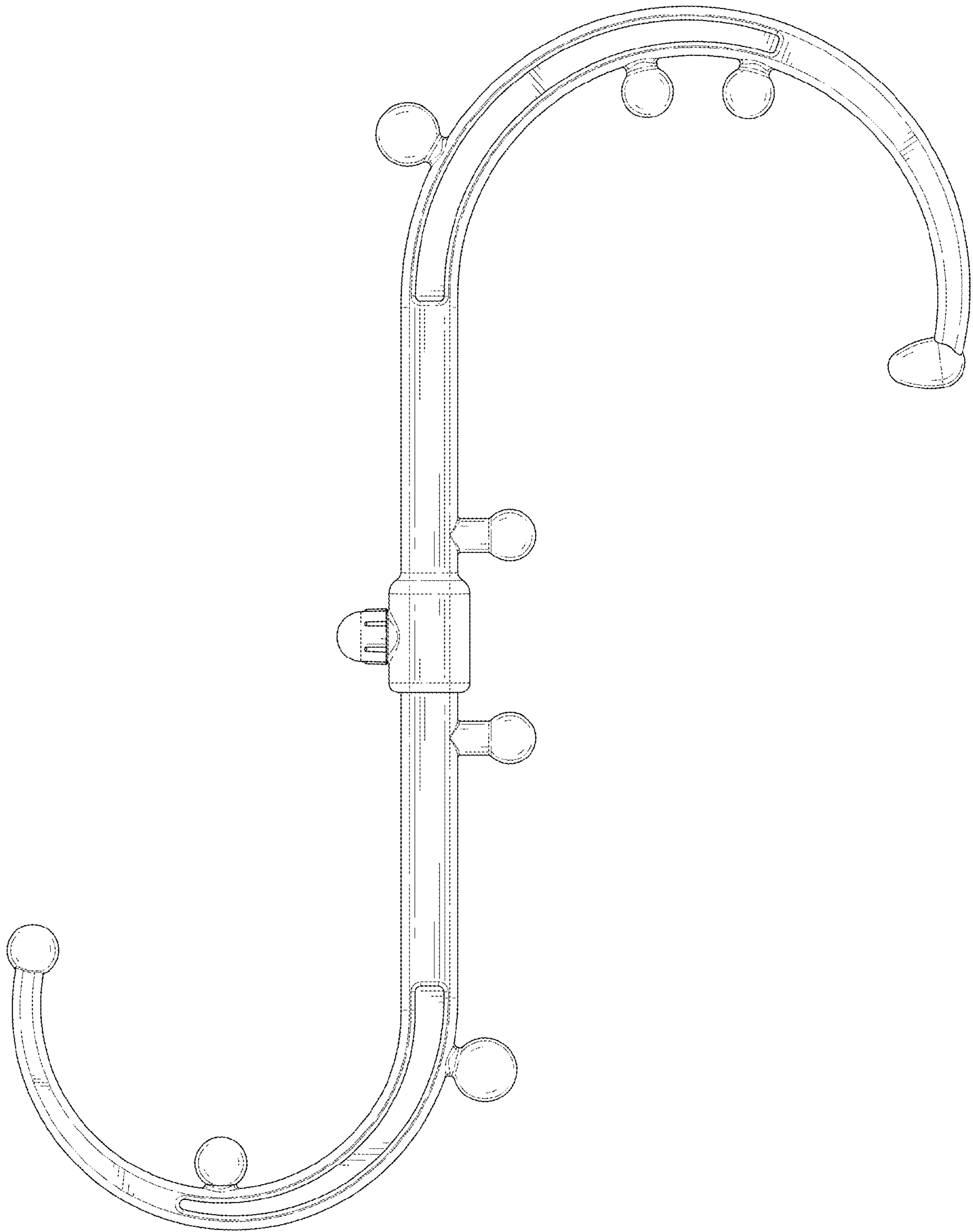


FIG. 3

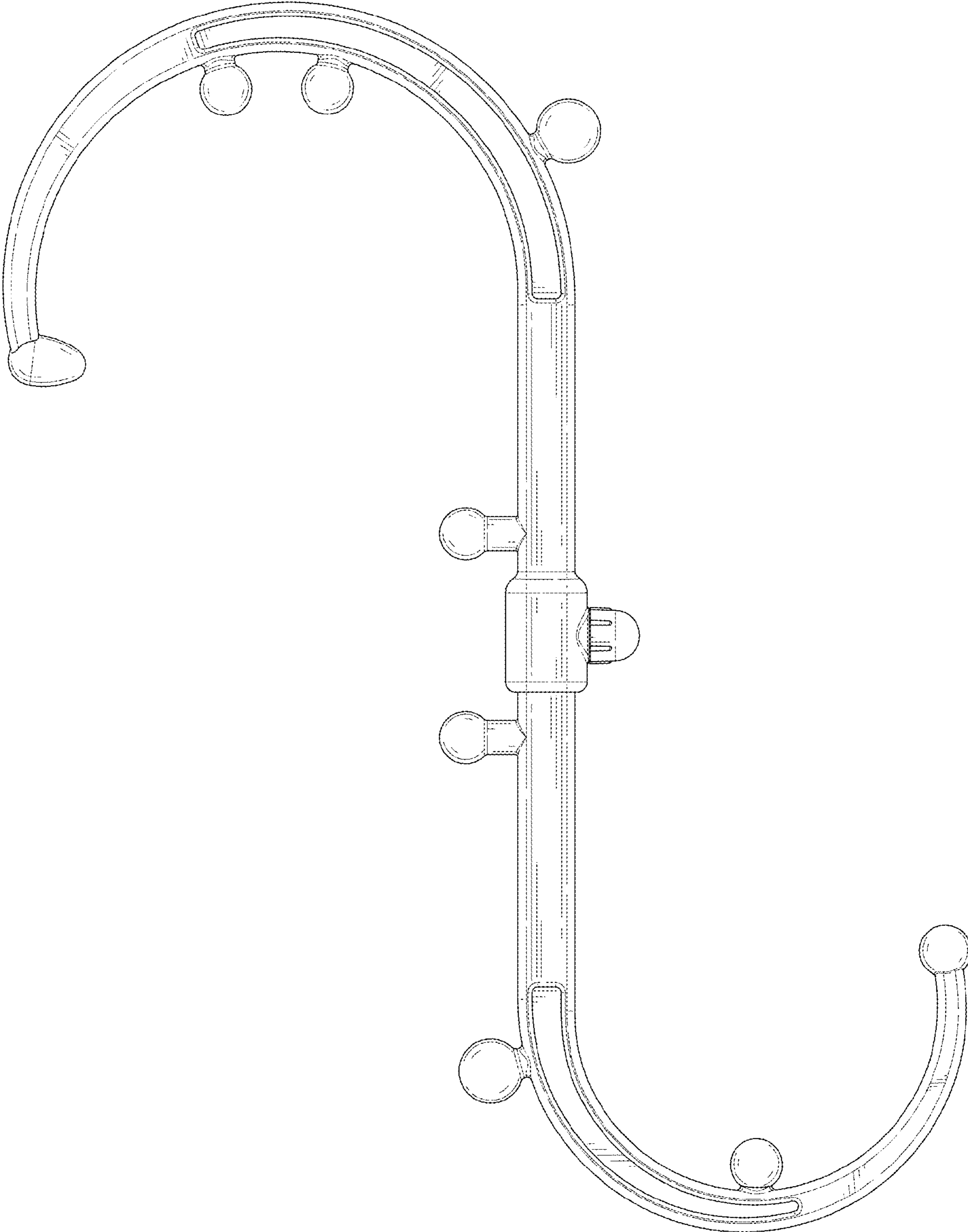


FIG. 4

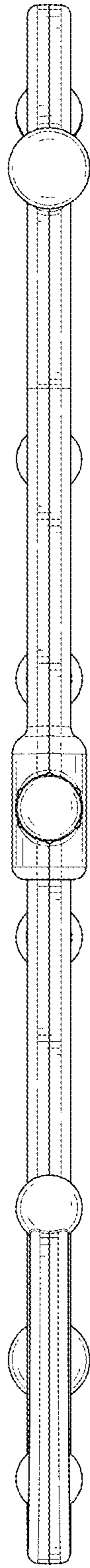


FIG. 5

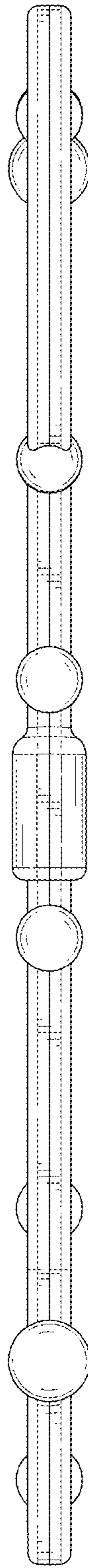


FIG. 6

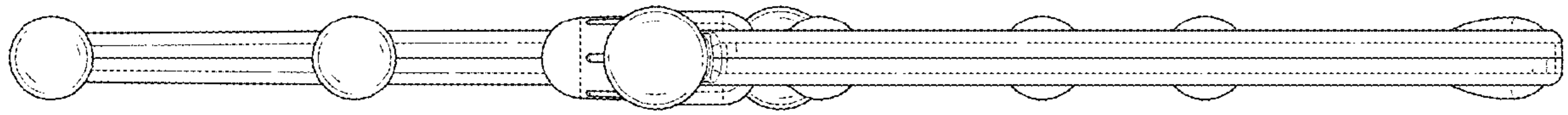


FIG. 7

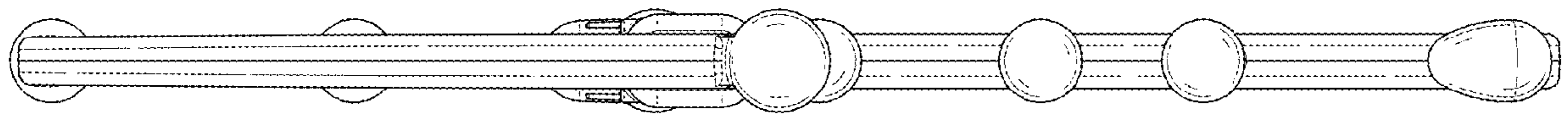


FIG. 8