



US00D947399S

(12) **United States Design Patent**
Mao

(10) **Patent No.:** **US D947,399 S**
(45) **Date of Patent:** **** Mar. 29, 2022**

(54) **HANDHELD MASSAGE STICK**
(71) Applicant: **Joy Mao**, El Monte, CA (US)
(72) Inventor: **Joy Mao**, El Monte, CA (US)
(**) Term: **15 Years**
(21) Appl. No.: **29/776,071**

(22) Filed: **Mar. 26, 2021**
(51) **LOC (13) Cl.** **28-03**
(52) **U.S. Cl.**
USPC **D24/214**; D24/215
(58) **Field of Classification Search**
USPC D24/215, 200, 211, 212, 213, 214, 133,
D24/107, 231
CPC A61H 15/00; A61H 2015/0014; A61H
2015/0042; A61H 15/0092; A61H 21/00;
A61H 39/00; A61H 39/02; A61H 7/00
See application file for complete search history.

(56) **References Cited**
U.S. PATENT DOCUMENTS

D402,764 S *	12/1998	Chatfield	D24/211
D403,431 S *	12/1998	Gladieux, Jr.	D24/215
6,241,693 B1 *	6/2001	Lambden	A61H 7/001 601/119
6,261,251 B1 *	7/2001	Meyers	A61H 7/001 601/134
D456,909 S	5/2002	Szabo	
D461,009 S	7/2002	Viner	
7,335,171 B2	2/2008	Ewell et al.	
D590,510 S *	4/2009	Johansen	D24/214
D646,794 S *	10/2011	Hennessey	D24/214
D675,332 S	1/2013	Tinder	
D689,620 S *	9/2013	Louis	D24/215
9,168,196 B2	10/2015	Dagan	
D742,534 S *	11/2015	Bains	D24/214
D750,796 S *	3/2016	Bains	D24/214
D765,872 S *	9/2016	Blaskovich	D24/214
D769,454 S *	10/2016	Hong	D24/215

D918,406 S * 5/2021 Elul D24/214
2012/0271345 A1 10/2012 Torres
2013/0023807 A1* 1/2013 Hennessey A61H 7/003
601/119

FOREIGN PATENT DOCUMENTS

CN 202130145038.9 * 3/2021

OTHER PUBLICATIONS

BVN—Massage Hook. Date: Oct. 20, 2020. [online]. [Site visited Dec. 30, 2021]. Available from Internet URL: <https://www.amazon.co.uk/dp/B08LG5JNZG/> (Year: 2020).*
Liba—Back and Neck Massager. Date: Jul. 21, 2019. [online]. [Site visited Dec. 30, 2021]. Available from Internet URL: <https://www.walmart.com/ip/Liba-Back-and-Neck-Massager-for-Trigger-Point-Fibromyalgia-Pain-Relief-Self-Massage-Hook-Cane-Therapy/882993087> (Year: 2019).*
Massagers. (Design—© Questel) orbit.com. [Online PDF compilation of references] 11 pgs. Print Dates Range Jun. 24, 2015-Dec. 15, 2020 [Retrieved Jan. 6, 2022] <https://www.orbit.com/export/UCZAH96B/pdf4/746f4d2f-b445-4479-b17d-7d93f3d0c3c8-192918.pdf> (Year: 2022).*

* cited by examiner

Primary Examiner — Susan Bennett Hattan
Assistant Examiner — Landon Thomas Cassell
(74) *Attorney, Agent, or Firm* — Clement Cheng

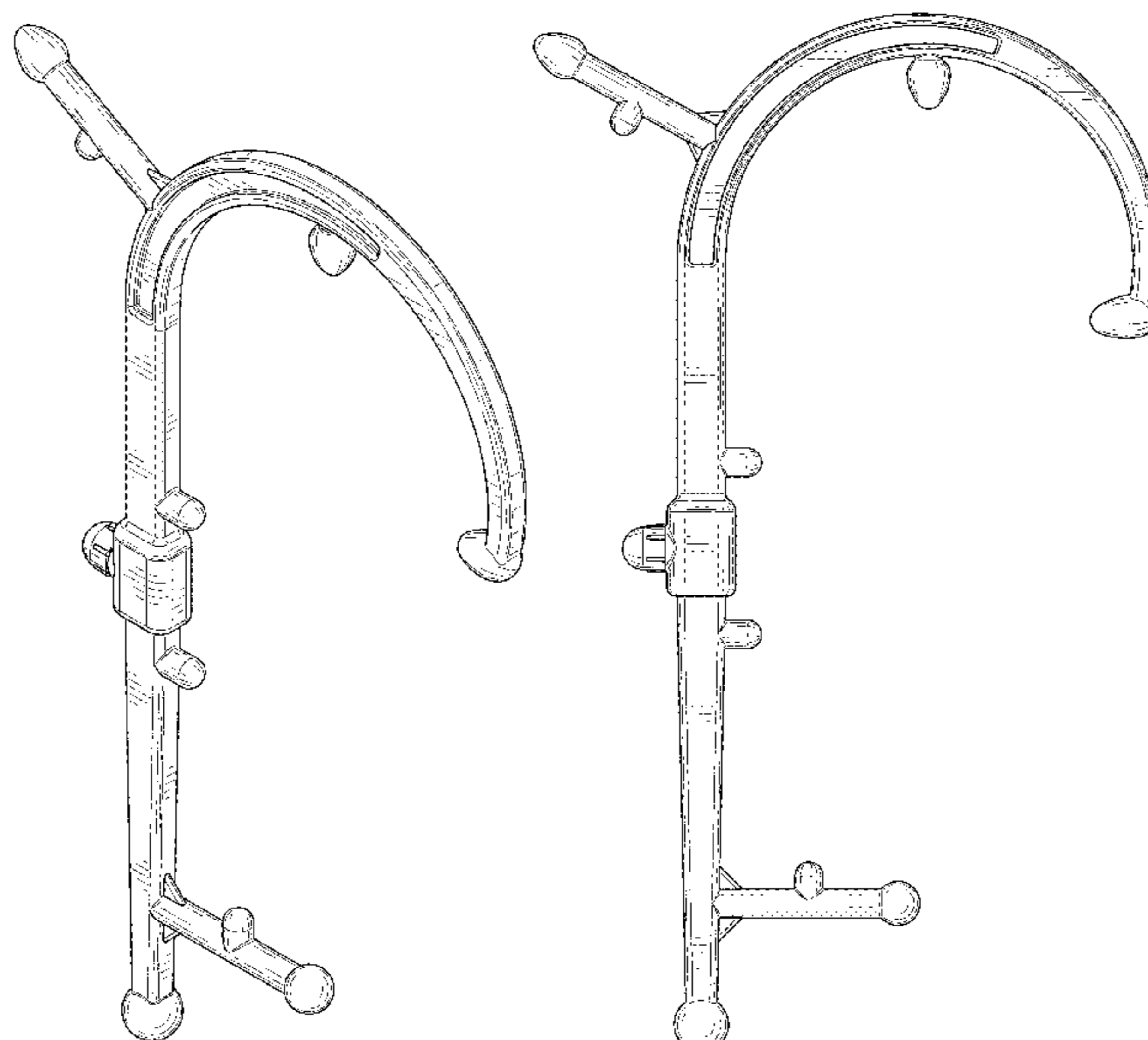
(57) **CLAIM**

The ornamental design for a handheld massage stick, as shown and described.

DESCRIPTION

FIG. 1 is a perspective view.
FIG. 2 is a front view.
FIG. 3 is a back view.
FIG. 4 is a right side view.
FIG. 5 is a left side view.
FIG. 6 is a top view; and,
FIG. 7 is a bottom view.

1 Claim, 5 Drawing Sheets



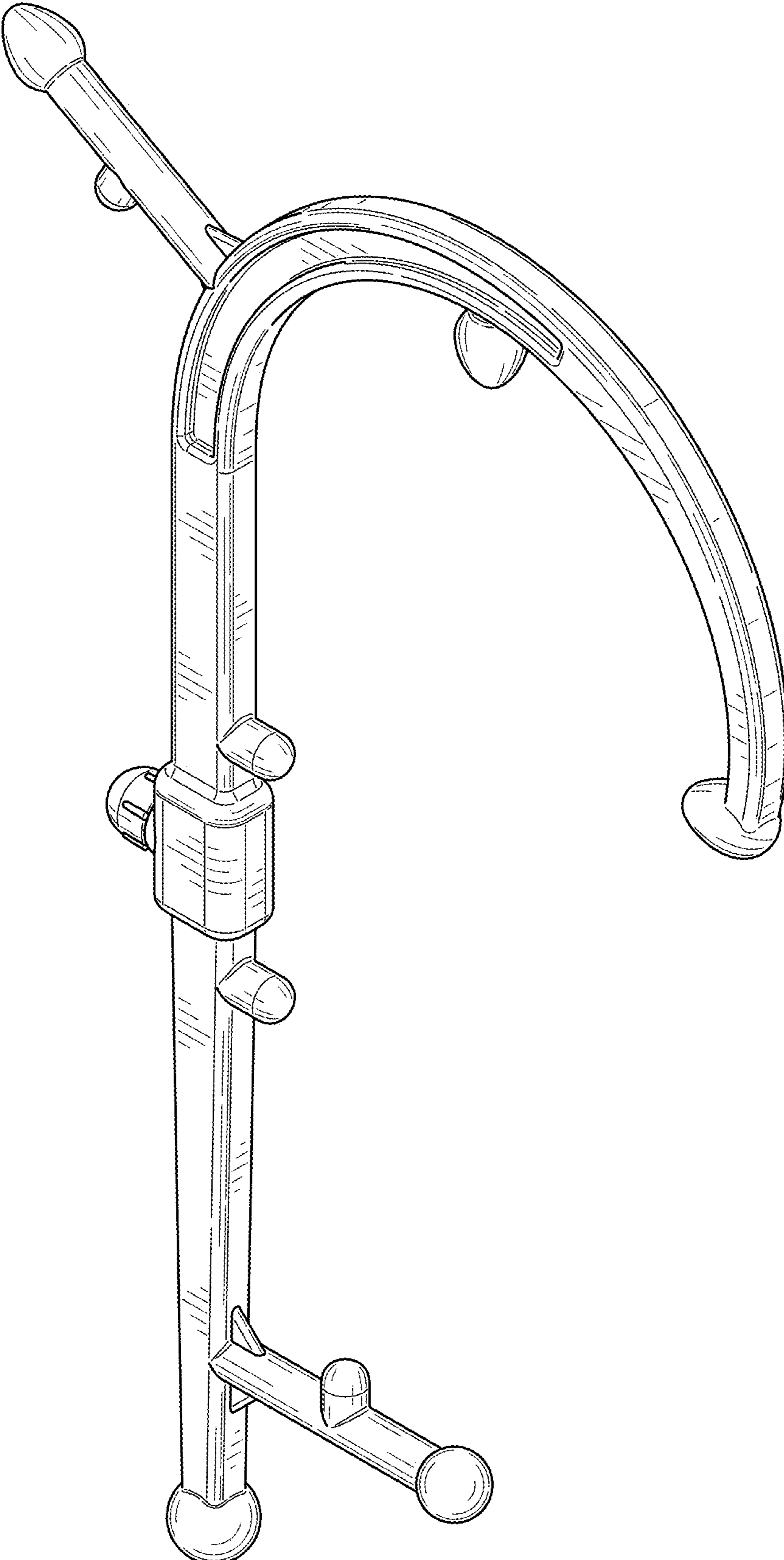


FIG. 1

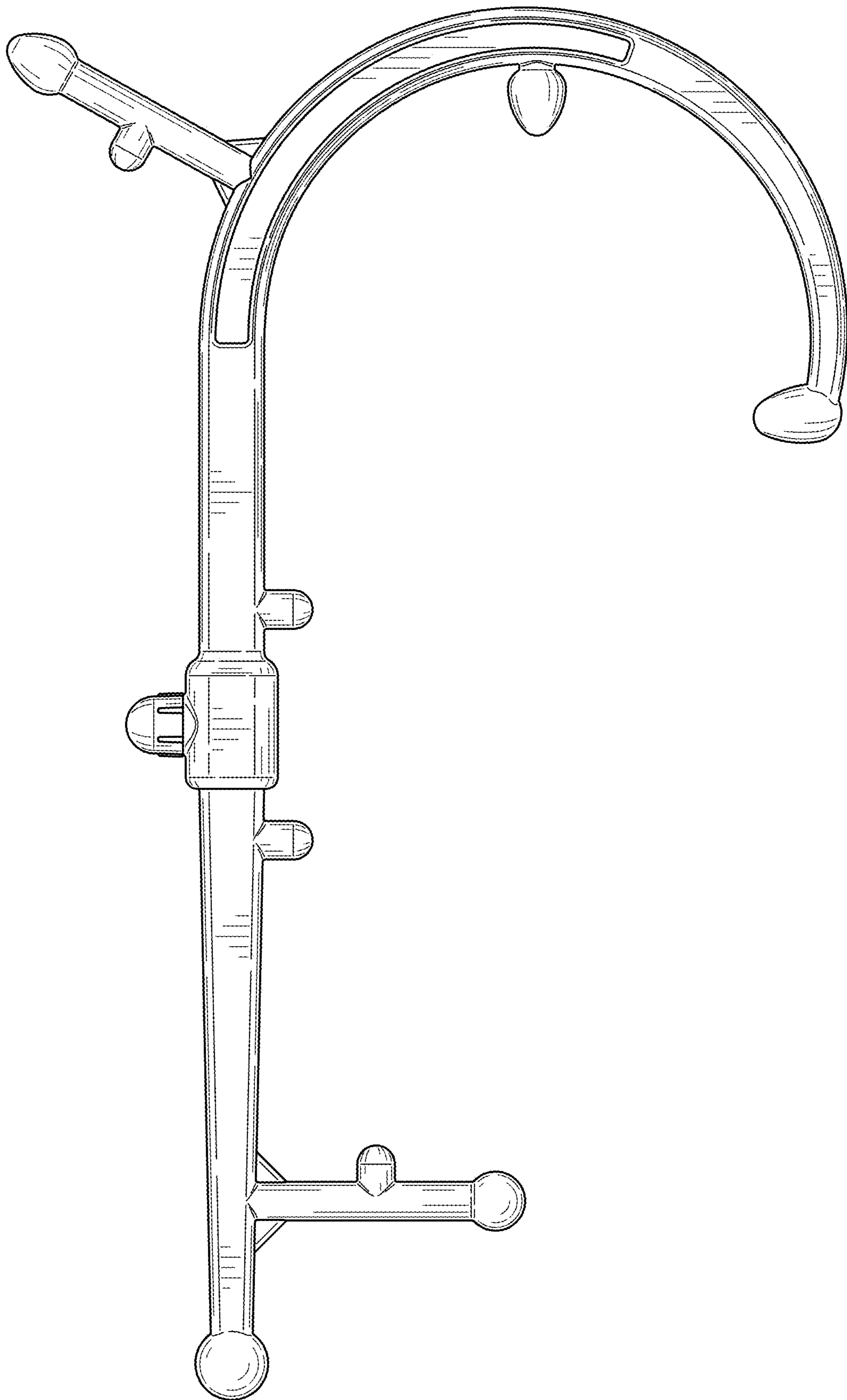


FIG. 2

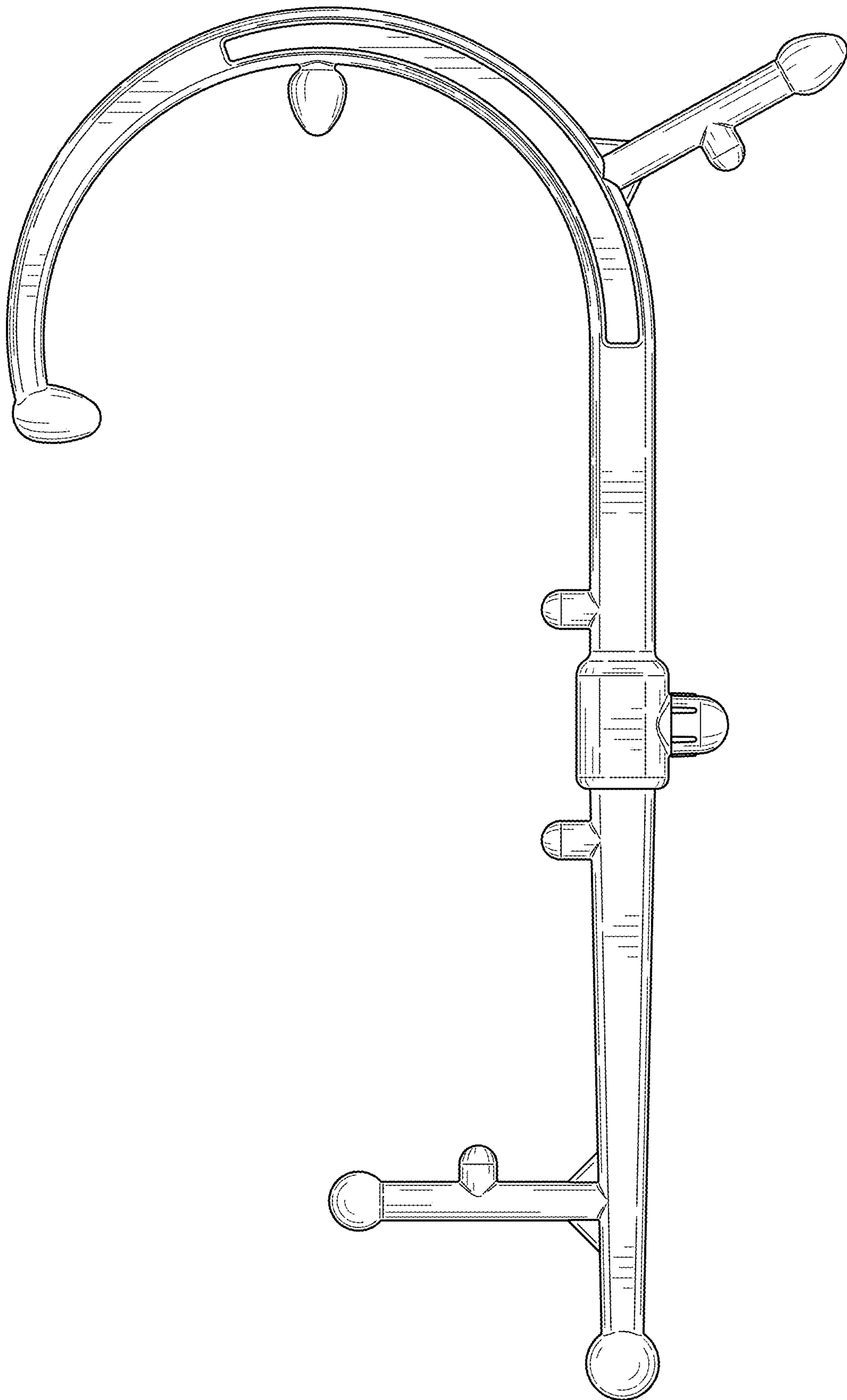


FIG. 3

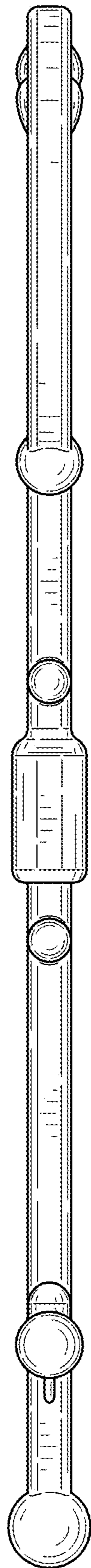


FIG. 4

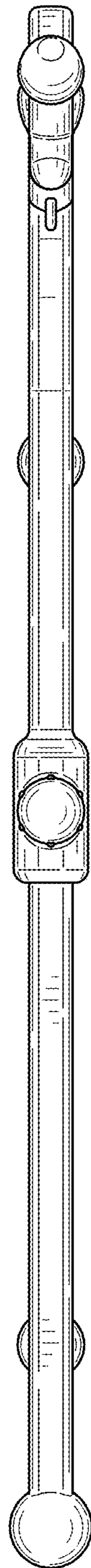


FIG. 5

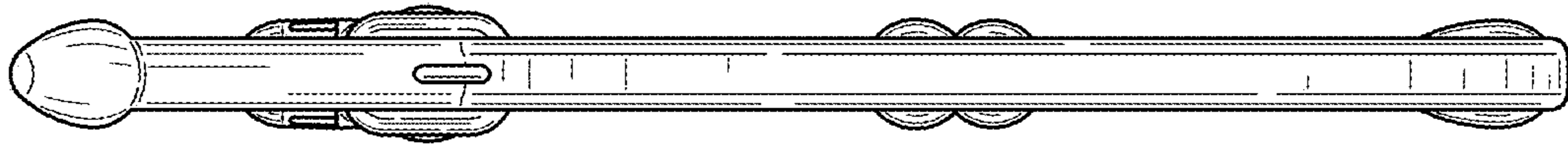


FIG. 6

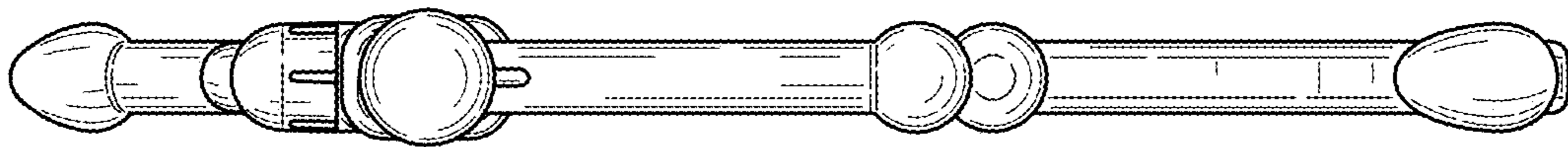


FIG. 7