



US00D947397S

(12) **United States Design Patent**
Deng

(10) **Patent No.:** **US D947,397 S**
(45) **Date of Patent:** **** Mar. 29, 2022**

(54) **WAX POT**

(71) Applicant: **Wu Deng**, Jingshan (CN)

(72) Inventor: **Wu Deng**, Jingshan (CN)

(**) Term: **15 Years**

(21) Appl. No.: **29/779,532**

(22) Filed: **Apr. 20, 2021**

(51) **LOC (13) Cl.** **28-03**

(52) **U.S. Cl.**
USPC **D24/200; D28/44.1**

(58) **Field of Classification Search**
USPC D24/200, 204; D28/44, 44.1
CPC A61F 7/007; A61F 7/0085; A61F
2007/0003; A61F 2007/0004; A61F
2007/0024; A61F 2007/0029; A61F
2007/0031; A61F 2007/0034; A61F
2007/0039; A61F 2007/0041; A61F
2007/0043; A61F 2007/0219; A45D
2200/155; A45D 26/0014; A45D
2026/008; A61L 9/03; A61H 33/04;
A61H 2033/047

See application file for complete search history.

(56) **References Cited**

U.S. PATENT DOCUMENTS

D440,662 S * 4/2001 Ferber D24/200
D441,455 S * 5/2001 Feer D24/200

D442,284 S * 5/2001 Ferber D24/200
6,303,910 B2 * 10/2001 Glucksman A61H 33/04
219/430
6,407,369 B2 * 6/2002 Glucksman A61H 33/04
219/430
D857,215 S 8/2019 Lin
D876,655 S 2/2020 Lin
D909,592 S 2/2021 Li
D914,223 S * 3/2021 Wang D24/200
D914,224 S * 3/2021 Wang D24/200
D932,641 S * 10/2021 Mo D24/200

* cited by examiner

Primary Examiner — Wan Laymon

(57) **CLAIM**

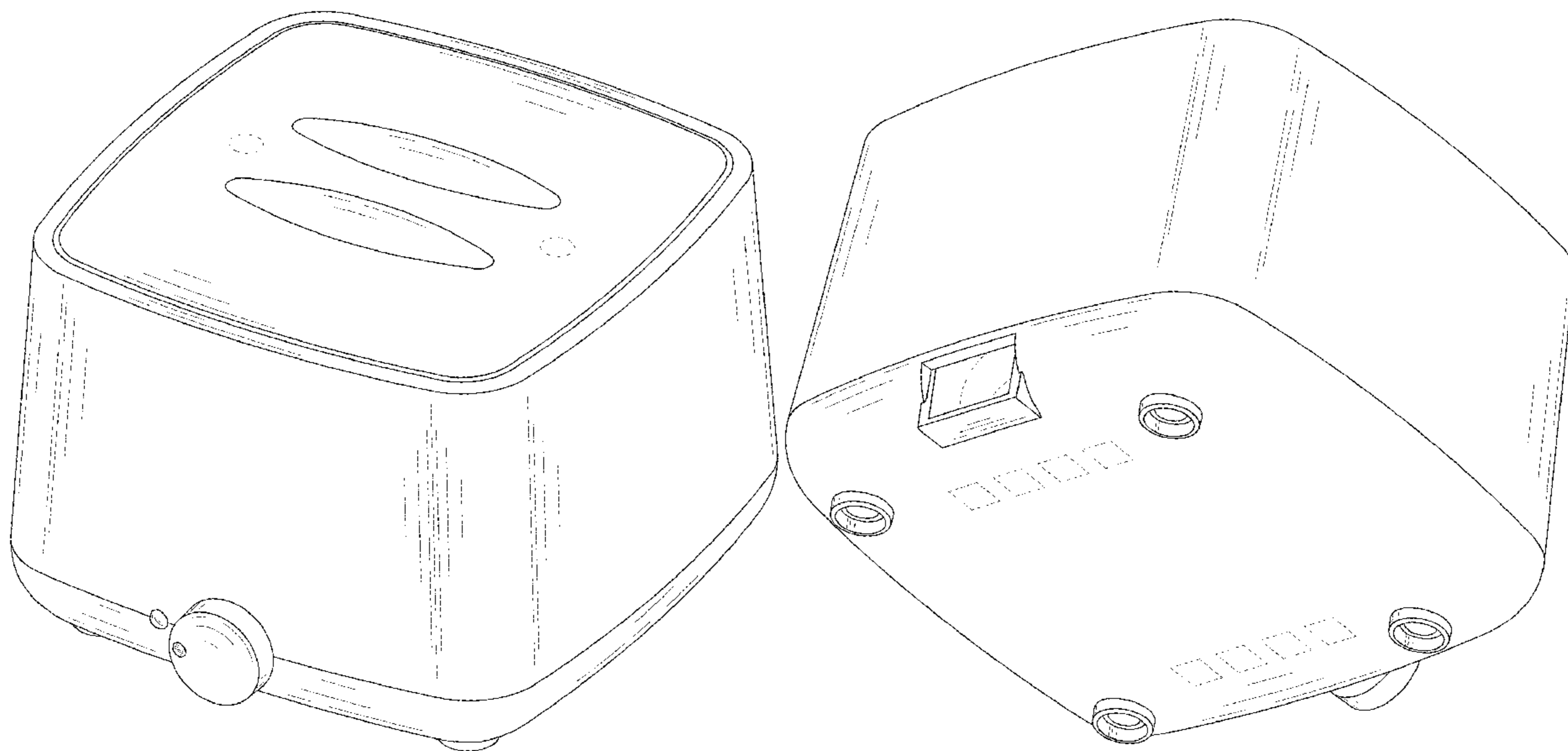
The ornamental design for a wax pot, as shown and described.

DESCRIPTION

FIG. 1 is a first perspective view of a wax pot showing my new design;
FIG. 2 is a second perspective view thereof;
FIG. 3 is a front view thereof;
FIG. 4 is a back view thereof;
FIG. 5 is a left side view thereof;
FIG. 6 is a right side view thereof;
FIG. 7 is a top view thereof; and,
FIG. 8 is a bottom view thereof.

The broken lines shown in the drawings depict portions of the wax pot in which the design is embodied that form no part of the claimed design.

1 Claim, 8 Drawing Sheets



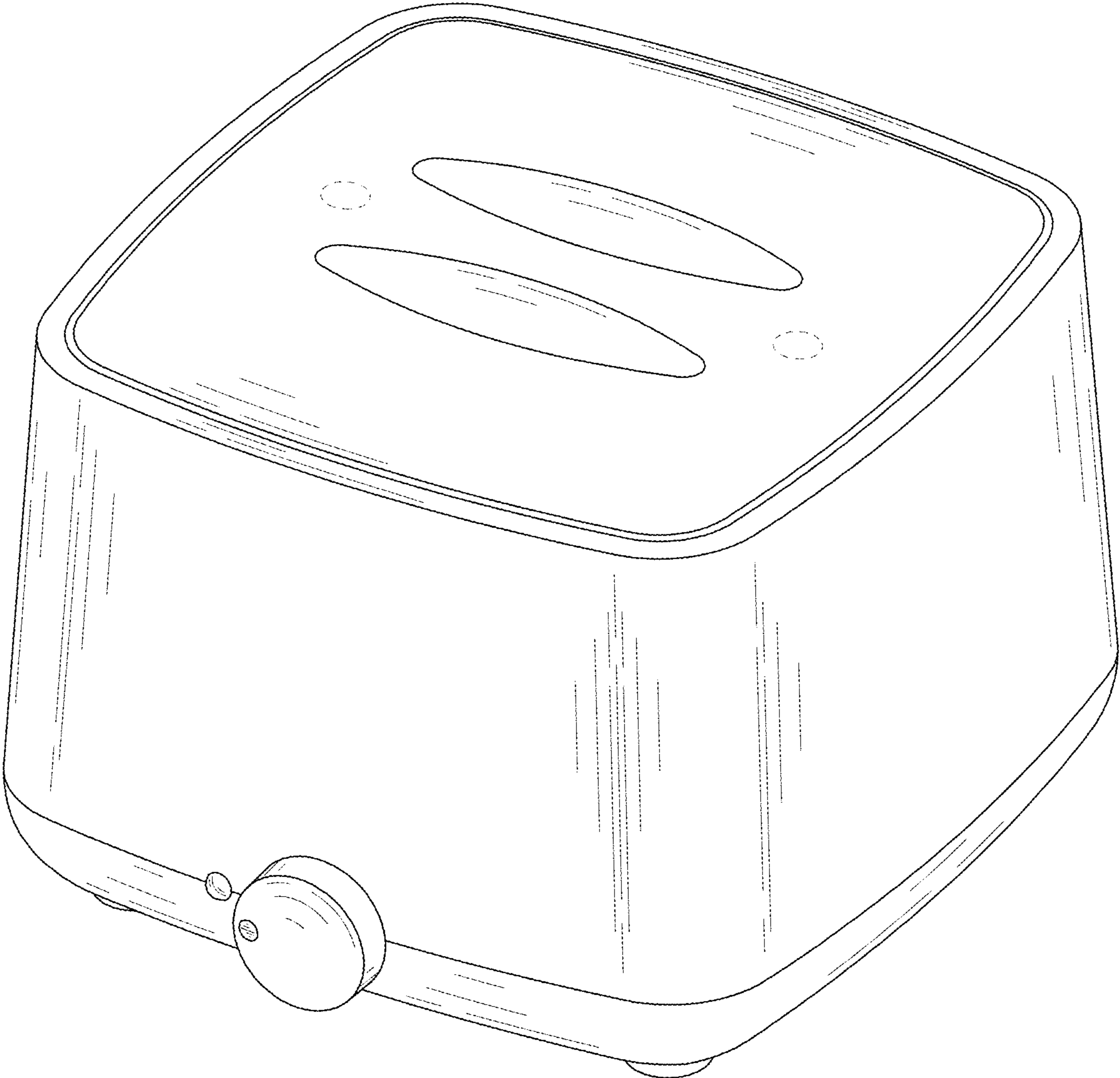


FIG. 1

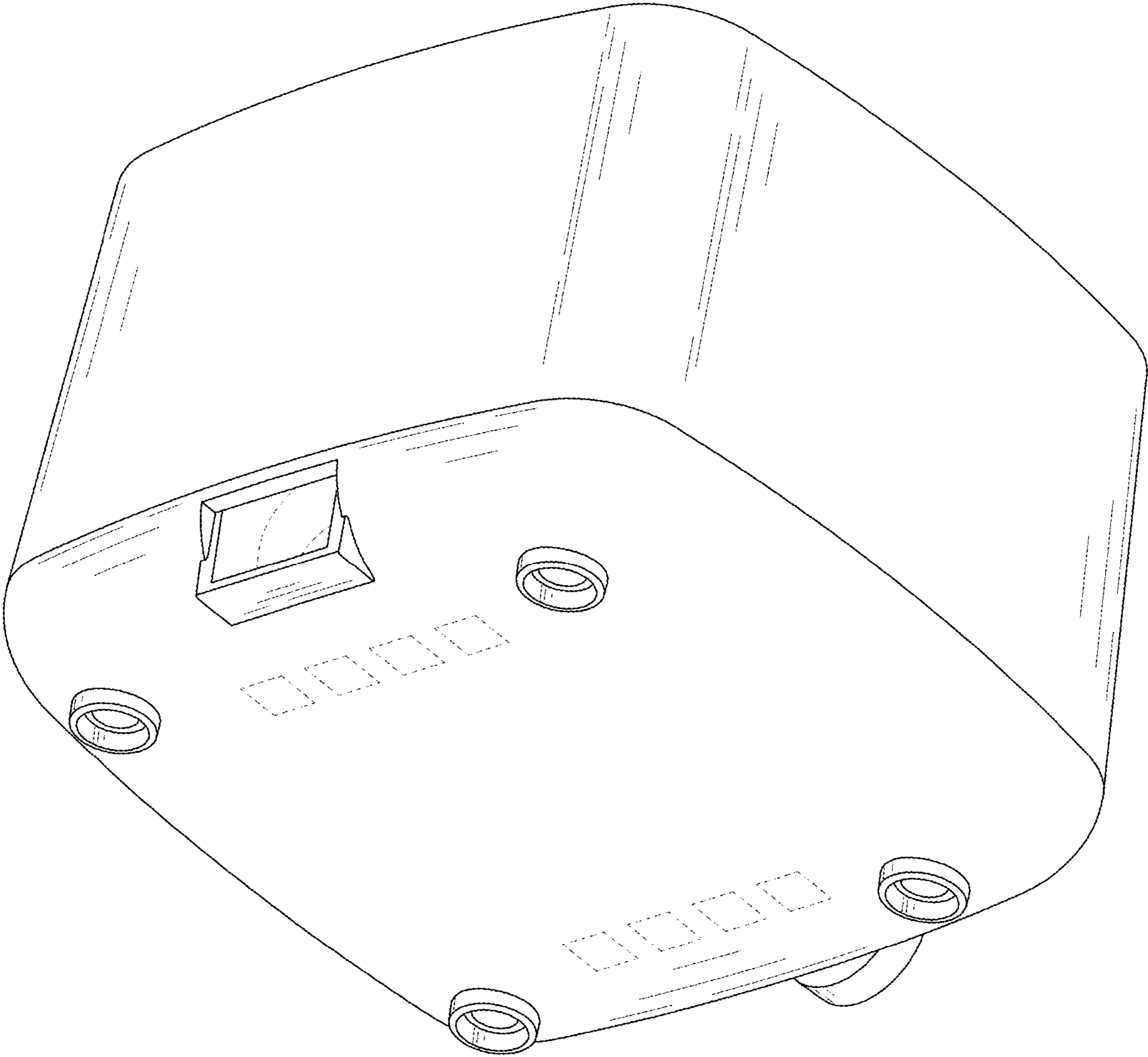


FIG. 2

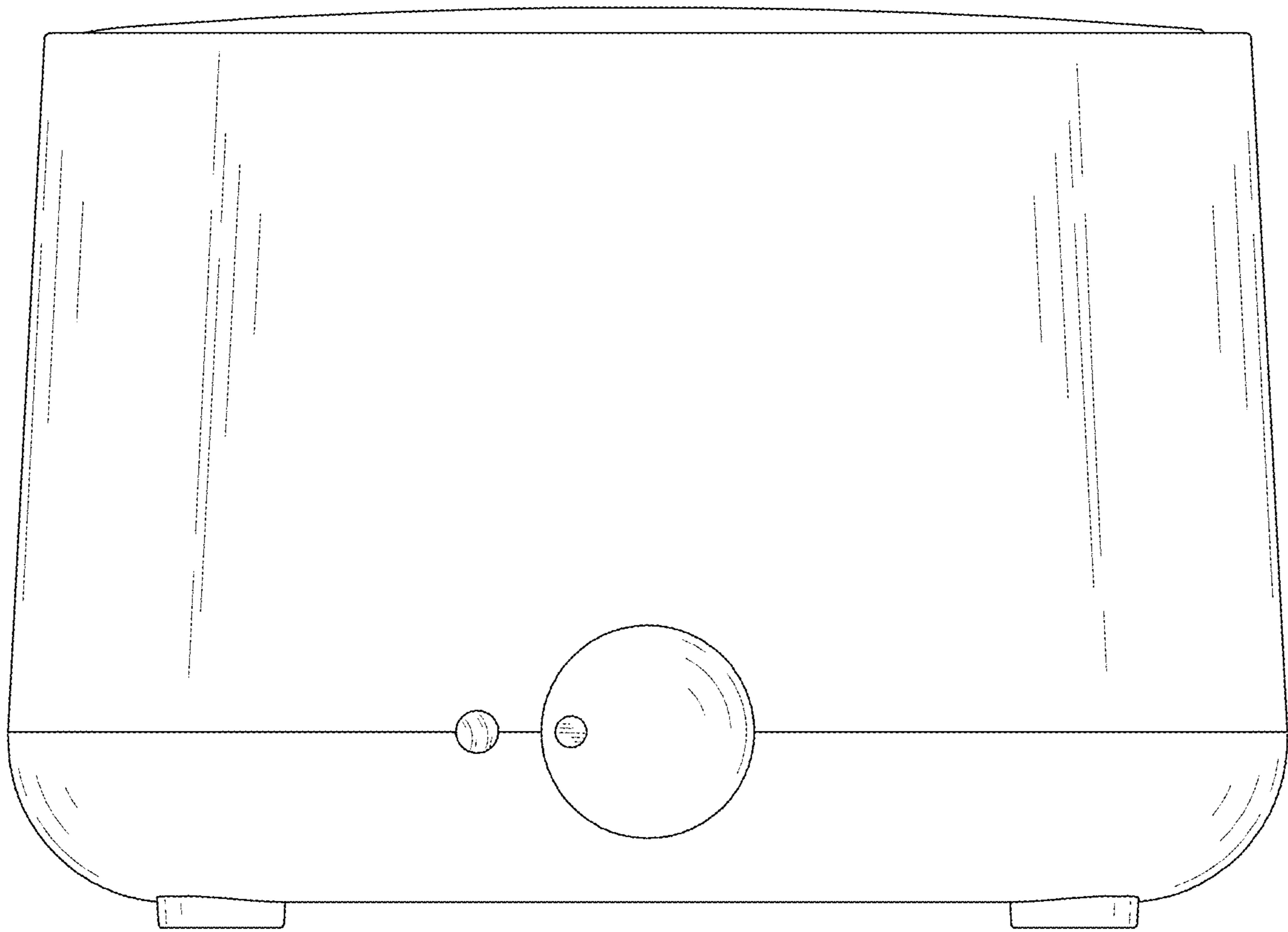


FIG. 3

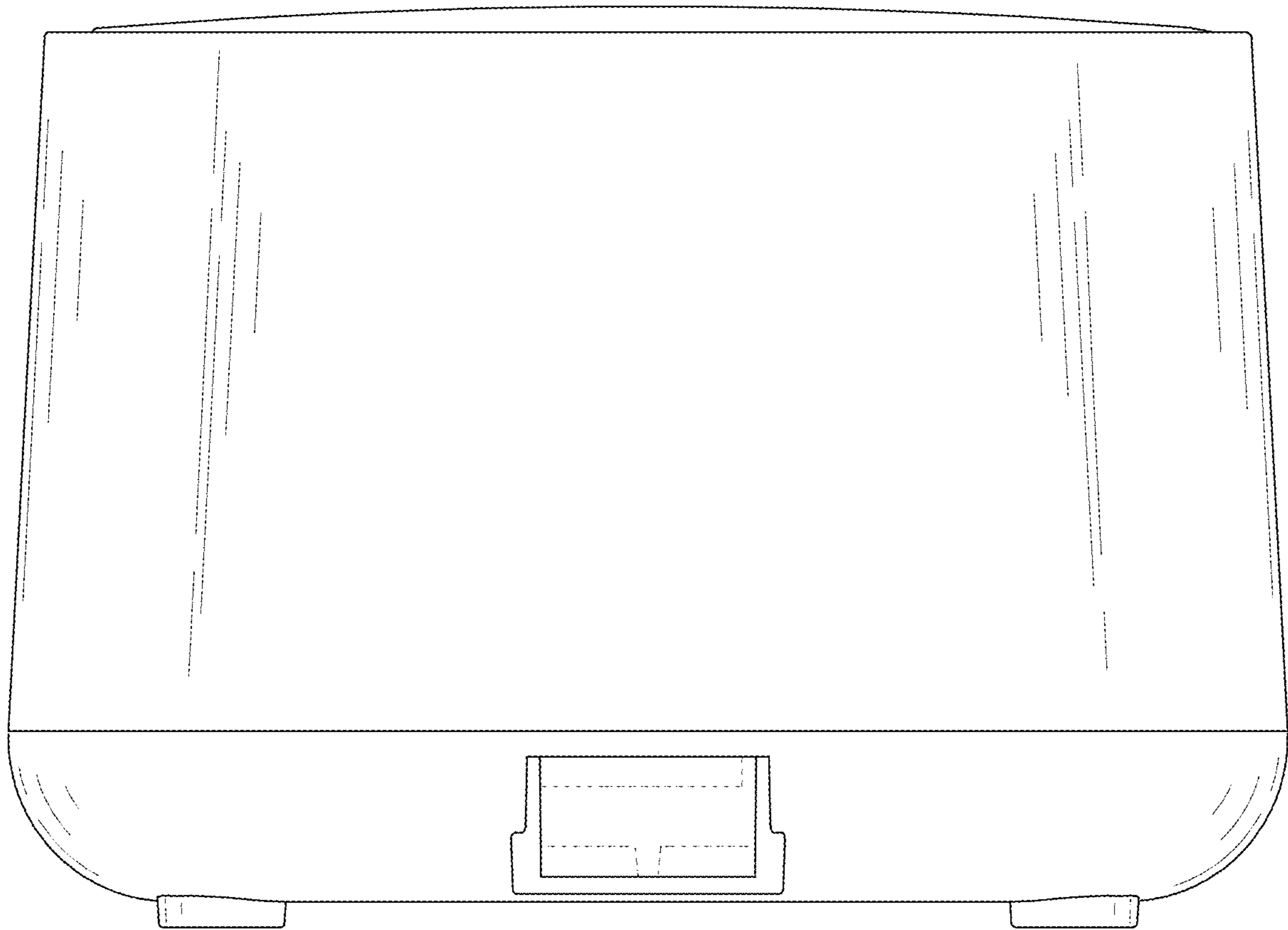


FIG. 4

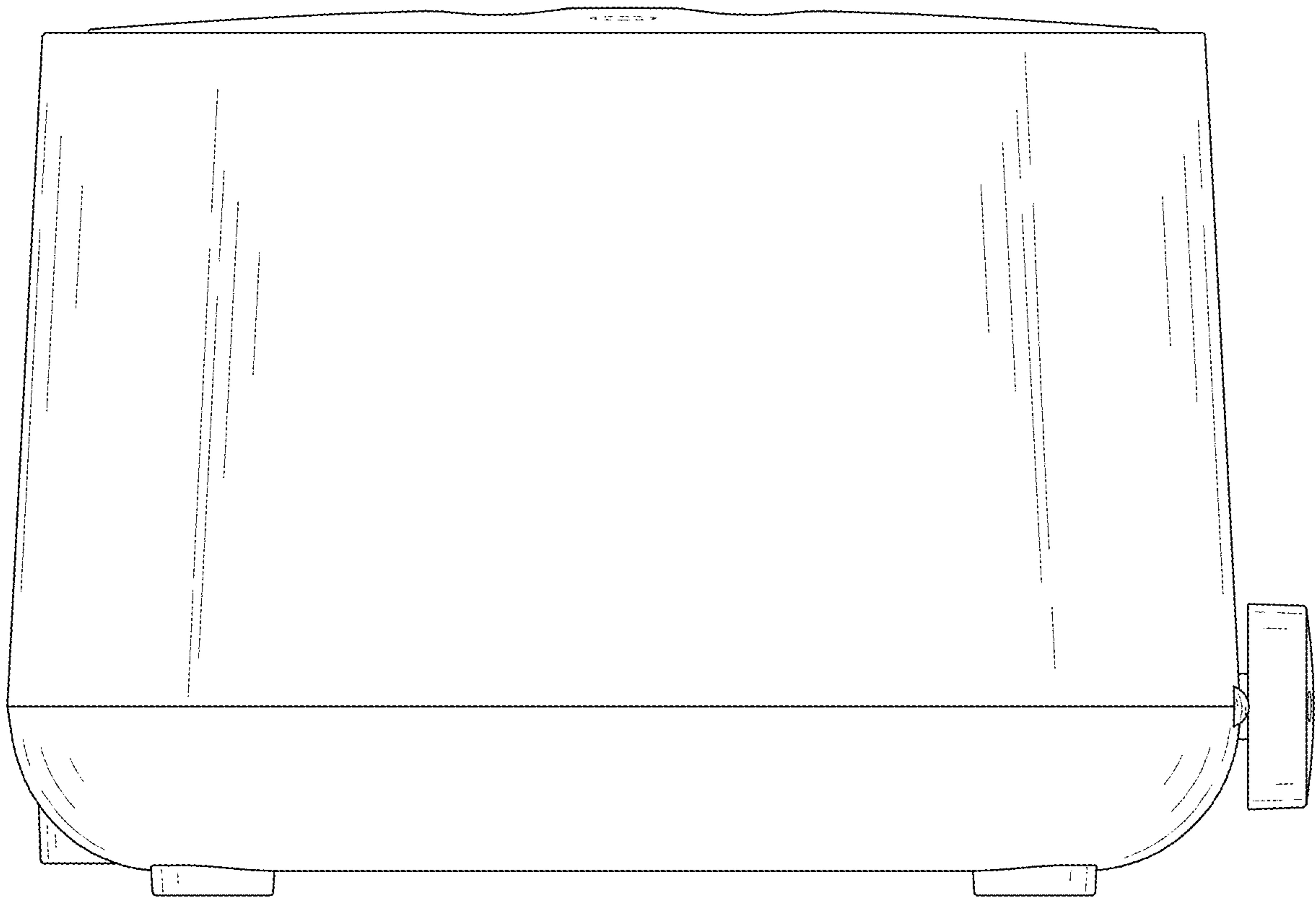


FIG. 5

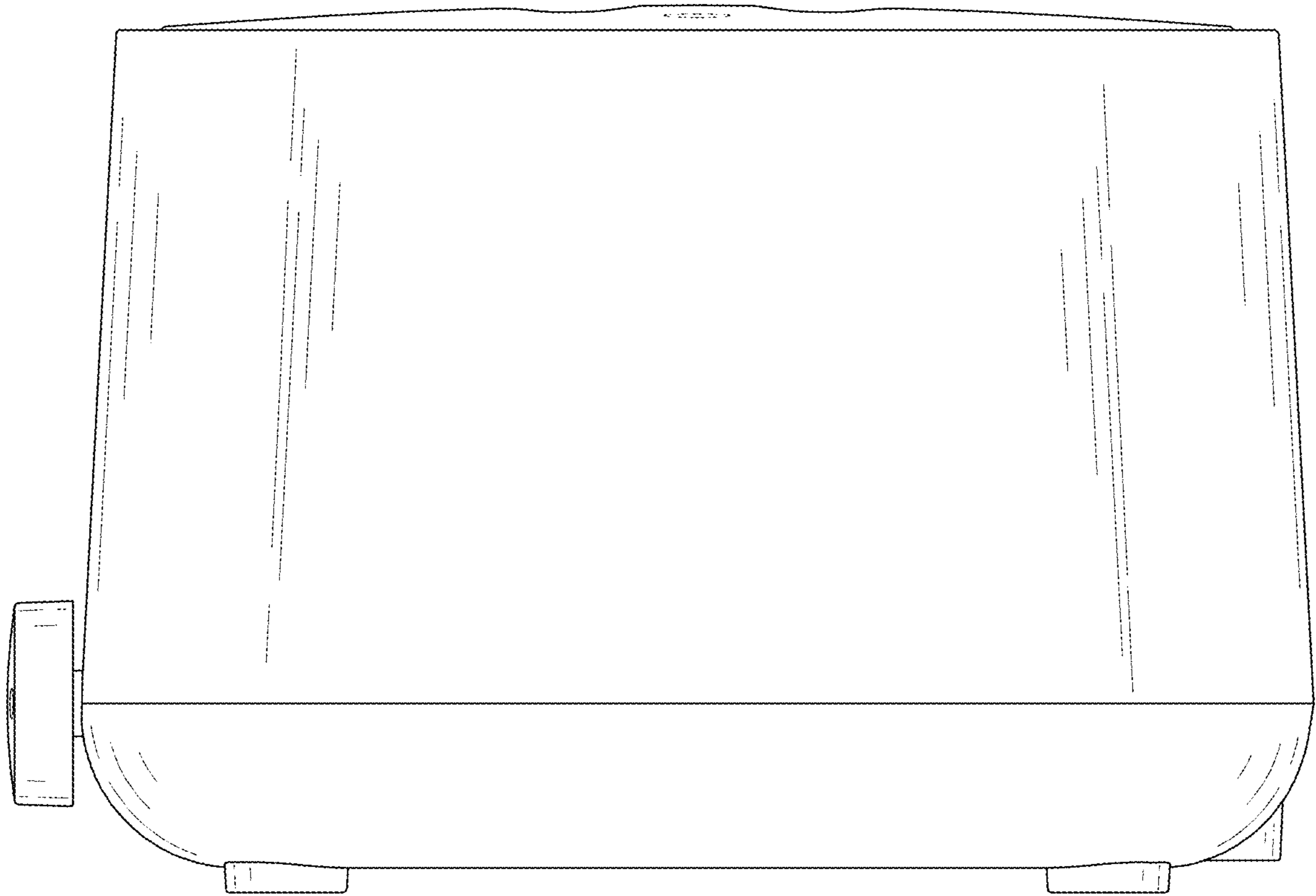


FIG. 6

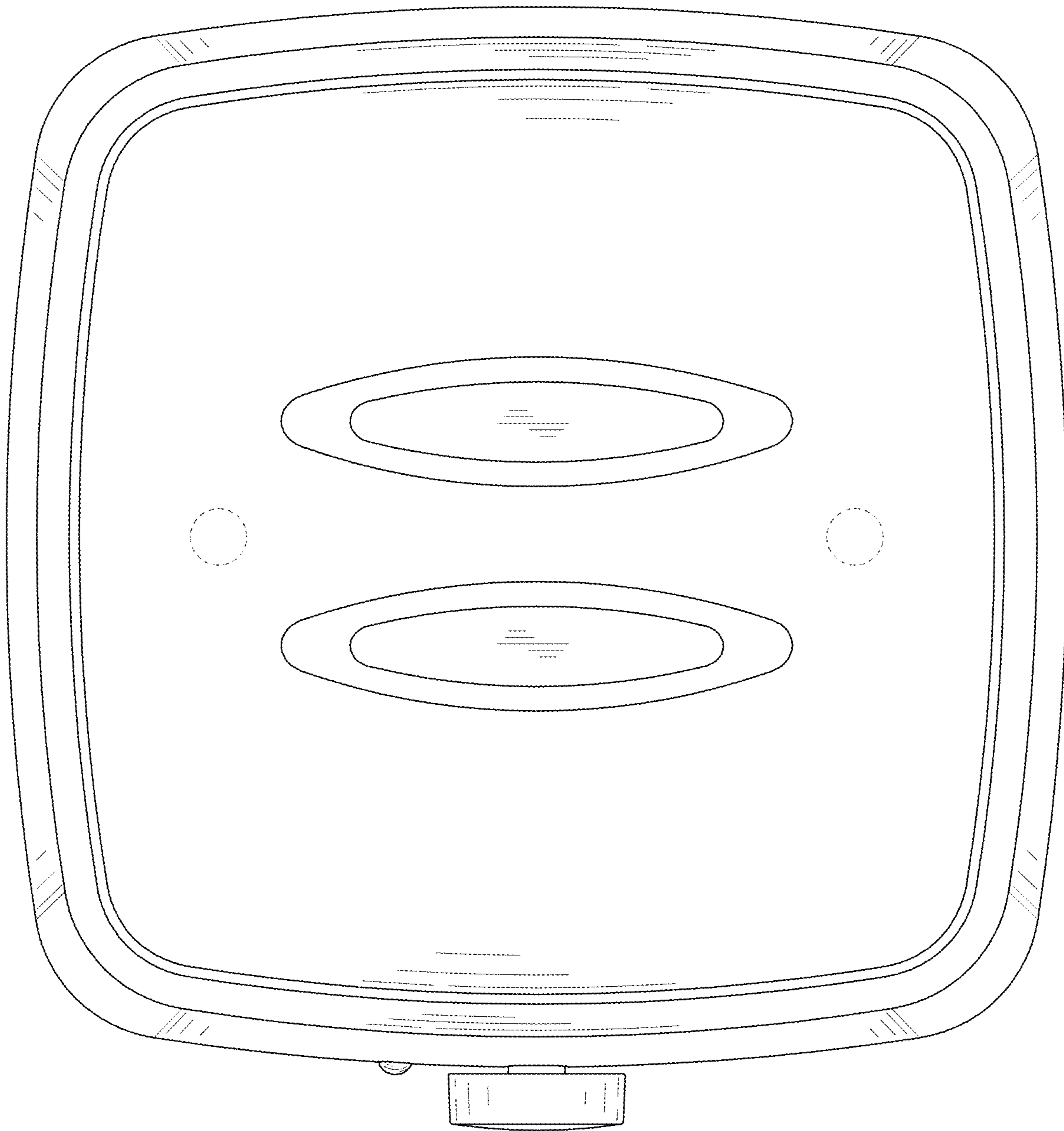


FIG. 7

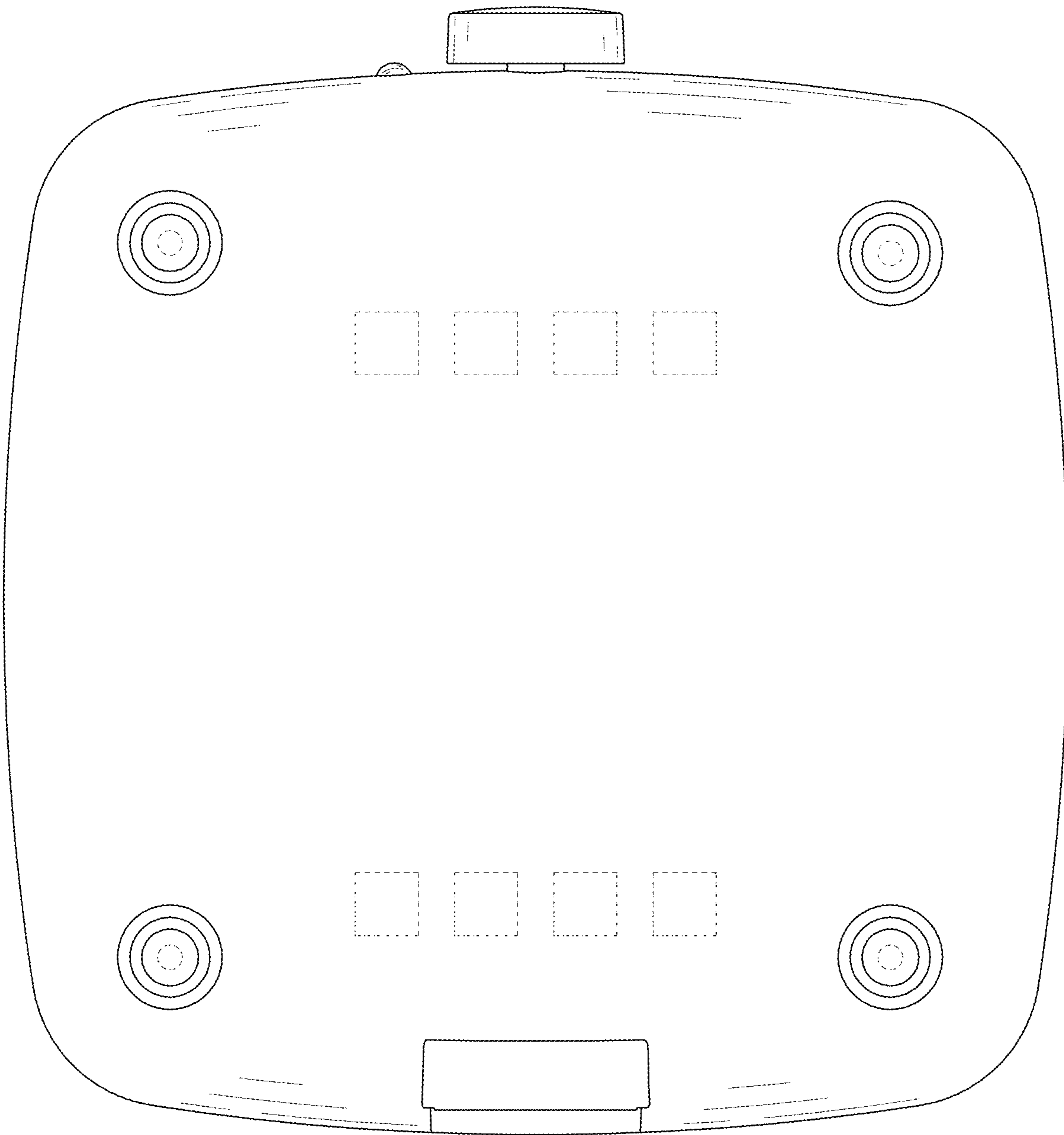


FIG. 8