



US00D947392S

(12) **United States Design Patent** (10) **Patent No.:** **US D947,392 S**  
**Hu** (45) **Date of Patent:** **\*\* Mar. 29, 2022**

(54) **PLANTAR FASCIITIS SPLINT**  
(71) Applicant: **Xiaoying Hu**, Shenzhen (CN)  
(72) Inventor: **Xiaoying Hu**, Shenzhen (CN)  
(73) Assignee: **Shenzhen Jingxing Changying Technology Co., Ltd.**, Shenzhen (CN)

10,744,019 B2 \* 8/2020 Omarsson ..... A61F 5/0113  
D897,547 S \* 9/2020 Kuehl ..... D24/192  
D927,000 S \* 8/2021 Kuehl ..... D24/192  
D930,843 S \* 9/2021 Cran ..... D24/192  
D931,473 S \* 9/2021 Li ..... D24/192  
D939,095 S \* 12/2021 Ren ..... D24/192  
2009/0192428 A1 \* 7/2009 DeBoer ..... A61F 13/065  
602/27

(\*\*) Term: **15 Years**  
(21) Appl. No.: **29/745,086**  
(22) Filed: **Aug. 3, 2020**  
(51) **LOC (13) Cl.** ..... **24-02**  
(52) **U.S. Cl.**  
USPC ..... **D24/192**  
(58) **Field of Classification Search**  
USPC ..... D24/171, 188, 190, 192, 200, 206,  
D24/212-213; D29/100, 121.2, 122  
CPC ..... A61F 5/0113; A61F 5/0195; A61F 5/01;  
A61F 5/0585; A61F 5/058; A61F  
5/05875; A61F 13/065  
See application file for complete search history.

**OTHER PUBLICATIONS**

Sanzix Plantar Fasciitis Night Splint, 2022 Upgraded Multi Adjustable Plantar Fasciitis Ankle Brace, Sanzix, Amazon, [Post Date: Dec. 20, 2021 ], [Site seen Jan. 10, 2022], Seen at URL: [https://www.amazon.com/Sanzix-Fasciitis-Upgraded-Adjustable-Tendonitis/dp/B09NXBB94T/ref=sr\\_1\\_2\\_sspa](https://www.amazon.com/Sanzix-Fasciitis-Upgraded-Adjustable-Tendonitis/dp/B09NXBB94T/ref=sr_1_2_sspa) (Year: 2021).\*

(Continued)

*Primary Examiner* — Natasha Vujcic  
*Assistant Examiner* — Gilbert B Ford

(57) **CLAIM**

The ornamental design for a plantar fasciitis splint, as shown and described.

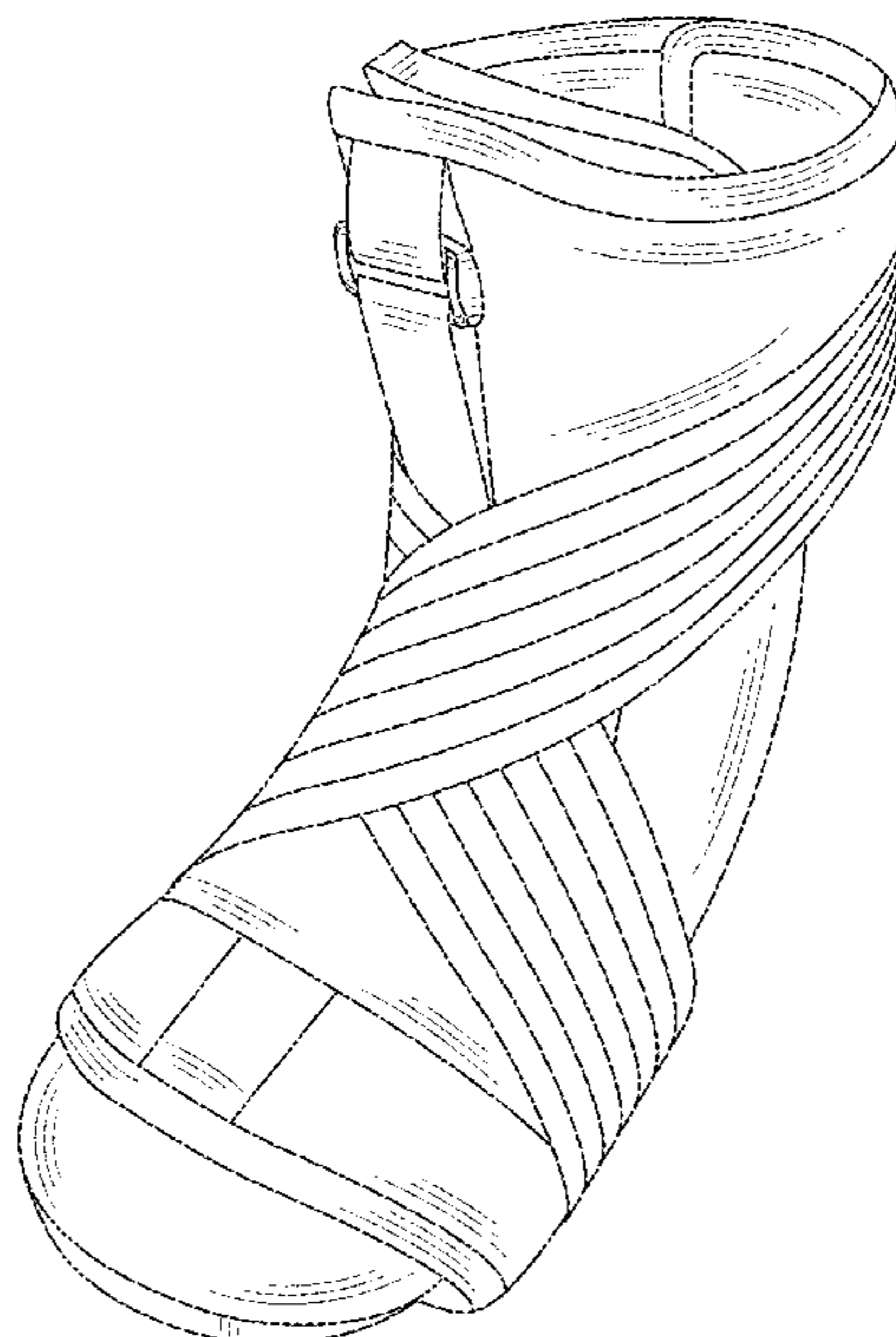
**DESCRIPTION**

FIG. 1 is a perspective view of a plantar fasciitis splint showing my new design;  
FIG. 2 is a front elevational view thereof;  
FIG. 3 is a rear elevational view thereof;  
FIG. 4 is a left side elevational view thereof;  
FIG. 5 is a right side elevational view thereof;  
FIG. 6 is a top plan view thereof;  
FIG. 7 is a bottom plan view thereof; and,  
FIG. 8 is another perspective view thereof.  
The broken lines throughout the drawing figures depict portions of the plantar fasciitis splint that form no part of the claimed design.

(56) **References Cited**  
U.S. PATENT DOCUMENTS

D412,581 S \* 8/1999 Brennan ..... D24/192  
D481,798 S \* 11/2003 Slautterback ..... D24/192  
D515,217 S \* 2/2006 Machin ..... D24/192  
D592,755 S \* 5/2009 Chang ..... D24/192  
D665,914 S \* 8/2012 Chiang ..... D24/192  
D693,472 S \* 11/2013 Huiner ..... D24/192  
D722,382 S \* 2/2015 Lee ..... D24/192  
9,788,987 B2 \* 10/2017 Vollbrecht ..... A61F 5/0111  
9,943,431 B2 \* 4/2018 Chang ..... A61F 5/0111  
D819,219 S \* 5/2018 Izuka ..... D24/190  
D819,822 S \* 6/2018 Schmitt ..... D24/192  
D834,205 S \* 11/2018 Ducharme ..... D24/192  
D859,670 S \* 9/2019 Rokitta ..... D24/192  
D861,180 S \* 9/2019 Hanft ..... D24/192

**1 Claim, 8 Drawing Sheets**



(56)

**References Cited**

OTHER PUBLICATIONS

Plantar Fasciitis Relief Set, Homcary 2022 Upgraded Black, HOMCARY, Amazon, [Postdate: Oct. 13, 2021],[Site seen Jan. 10, 2022], seen at URL: [https://www.amazon.com/Fasciitis-Homcary-Upgraded-Adjustable-Tendonitis/dp/B09JBM8VND/ref=sxin\\_13\\_pa\\_sp\\_search\\_thematic\\_sspa](https://www.amazon.com/Fasciitis-Homcary-Upgraded-Adjustable-Tendonitis/dp/B09JBM8VND/ref=sxin_13_pa_sp_search_thematic_sspa) (Year: 2021).\*

<https://www.amazon.com/Fasciitis-Homcary-Upgraded-Adjustable-Tendonitis-Ticoni-Amazon/>, [Post date: Nov. 15, 2021], [Site seen Jan. 10, 2022], Seen at URL: [https://www.amazon.com/Fasciitis-Upgraded-Adjustable-Orthotic-Tendonitis/dp/B09PLB51G4/ref=sr\\_1\\_4\\_sspa](https://www.amazon.com/Fasciitis-Upgraded-Adjustable-Orthotic-Tendonitis/dp/B09PLB51G4/ref=sr_1_4_sspa) (Year: 2021).\*

2021 Upgraded Plantar Fasciitis Night Splint by Kaiouli, Kaiouli, Youtube, [Post date: May 3, 2021], [Site seen Jan. 10, 2022], Seen at URL: <https://www.youtube.com/watch?v=CUHNWAbXfOc> (Year: 2021).\*

\* cited by examiner

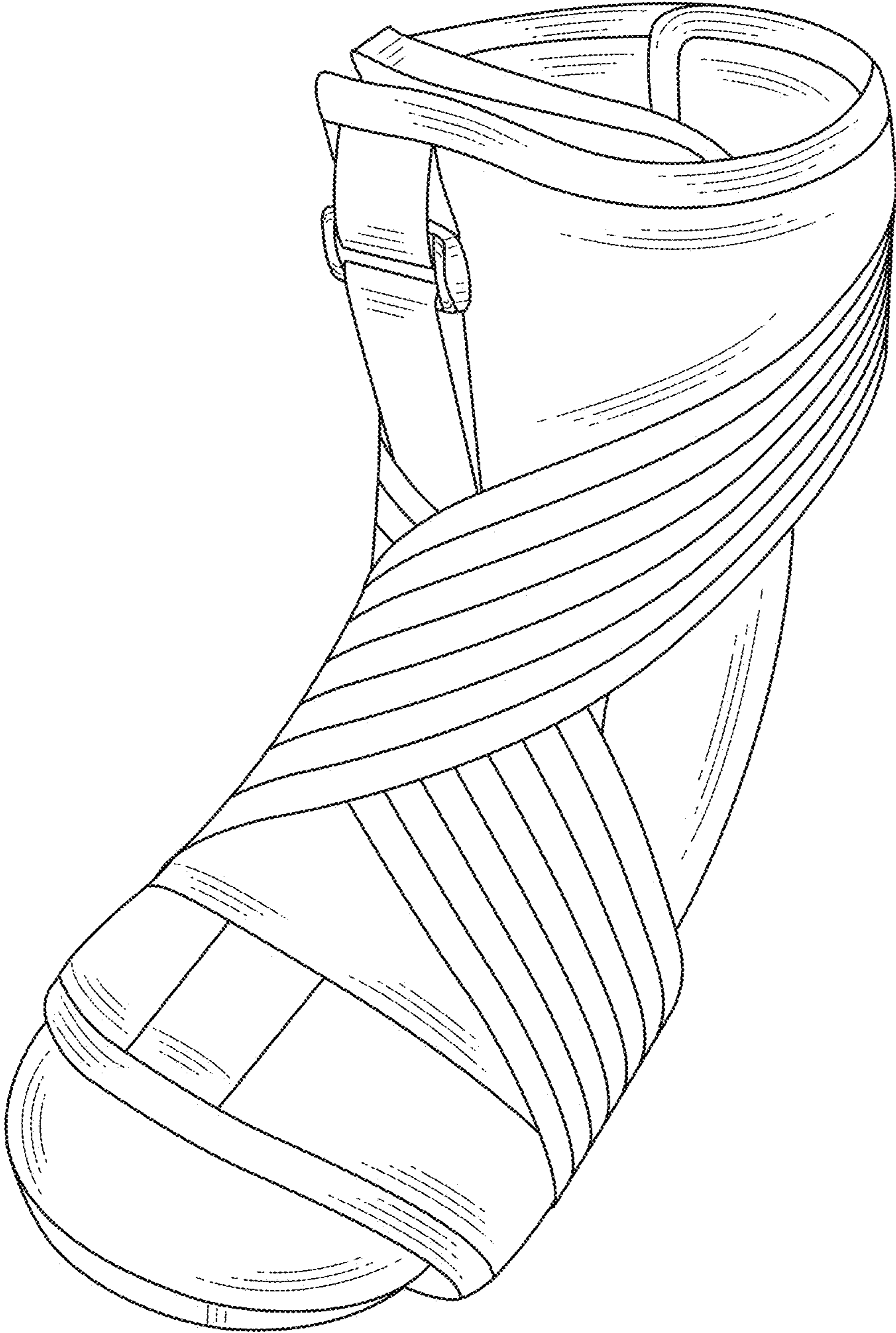


FIG.1

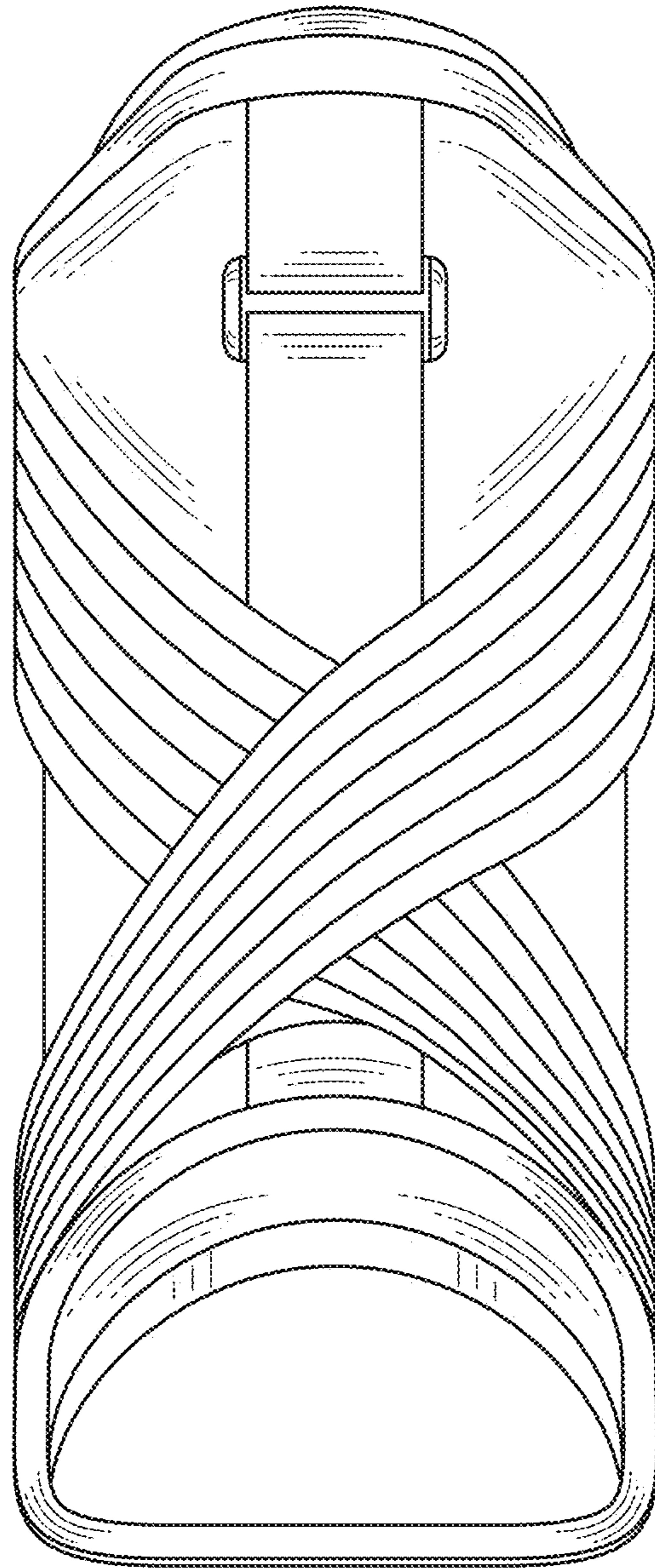


FIG.2



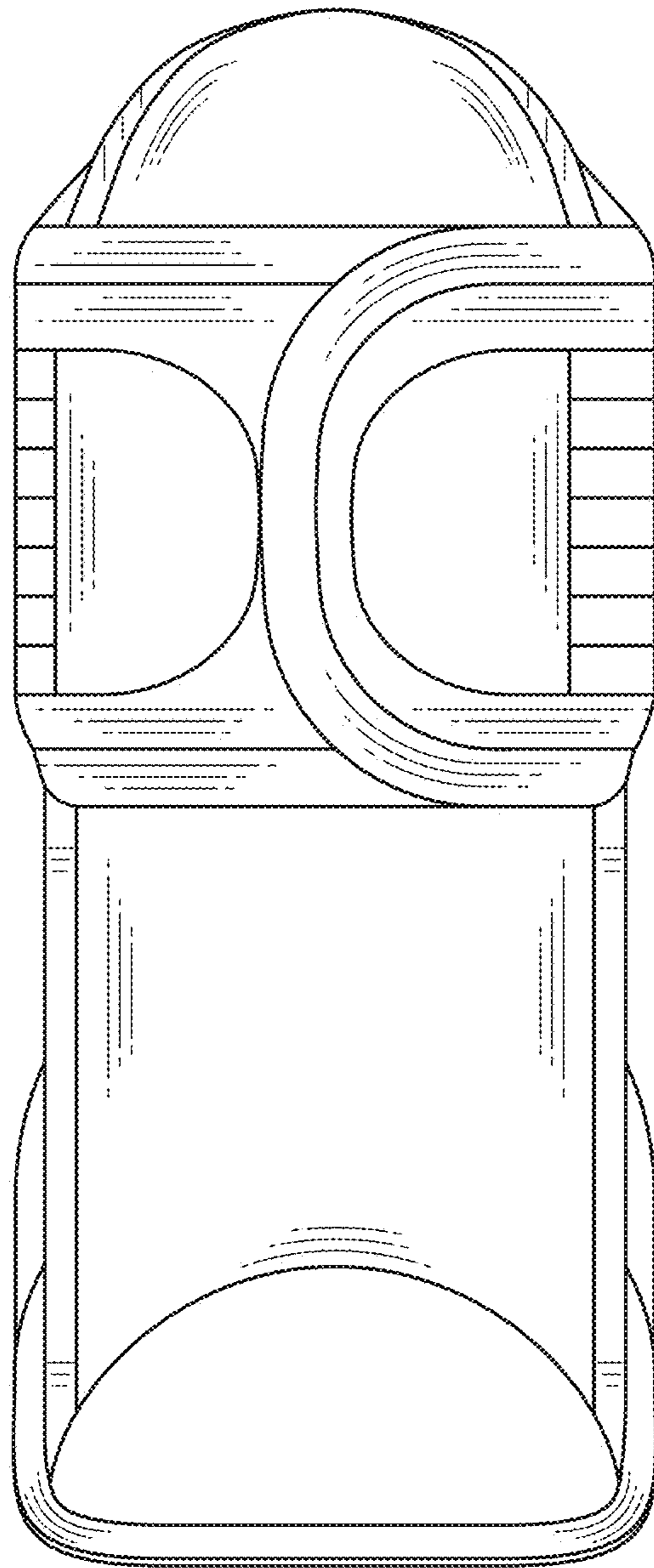


FIG.3

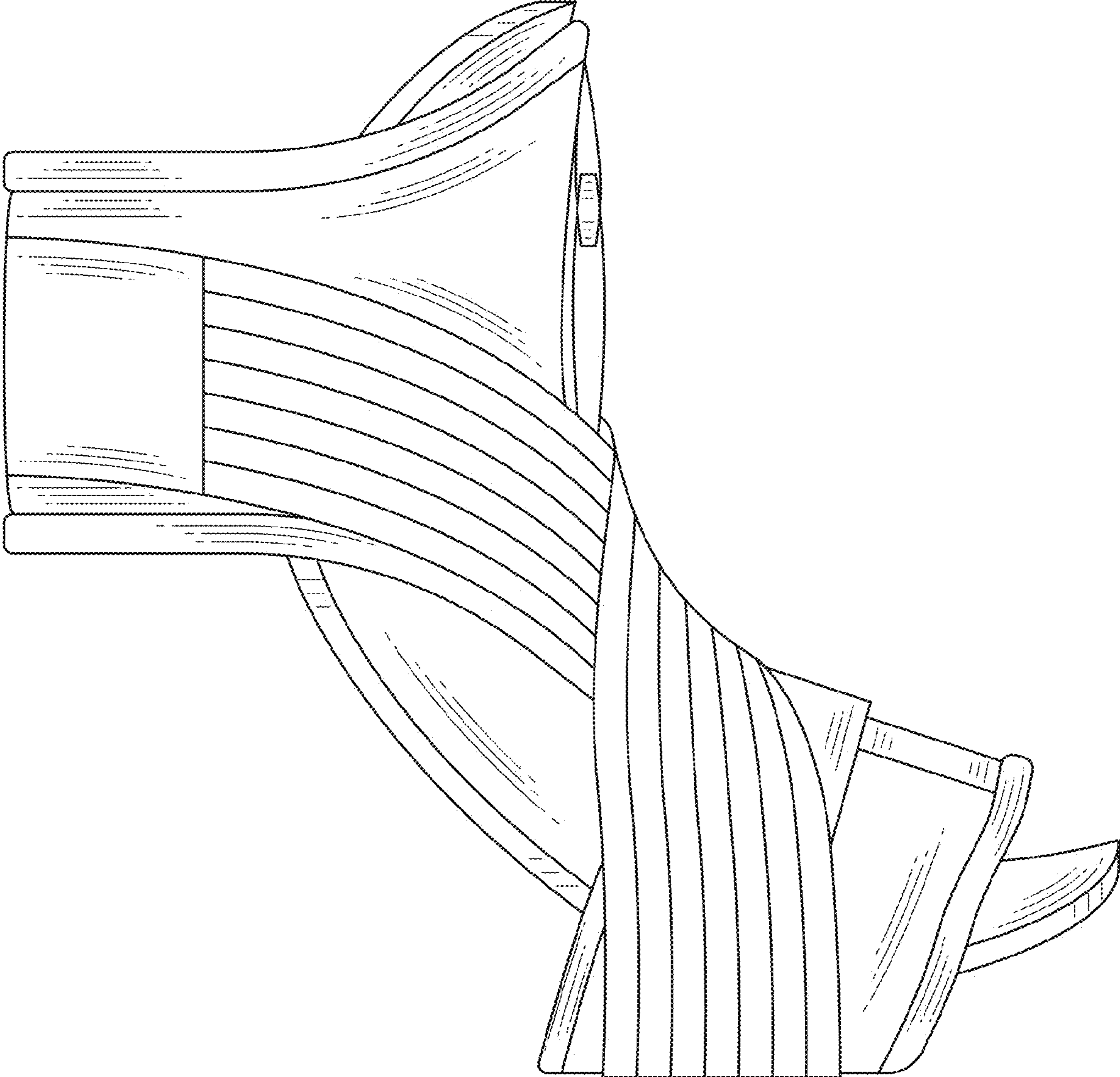


FIG.4

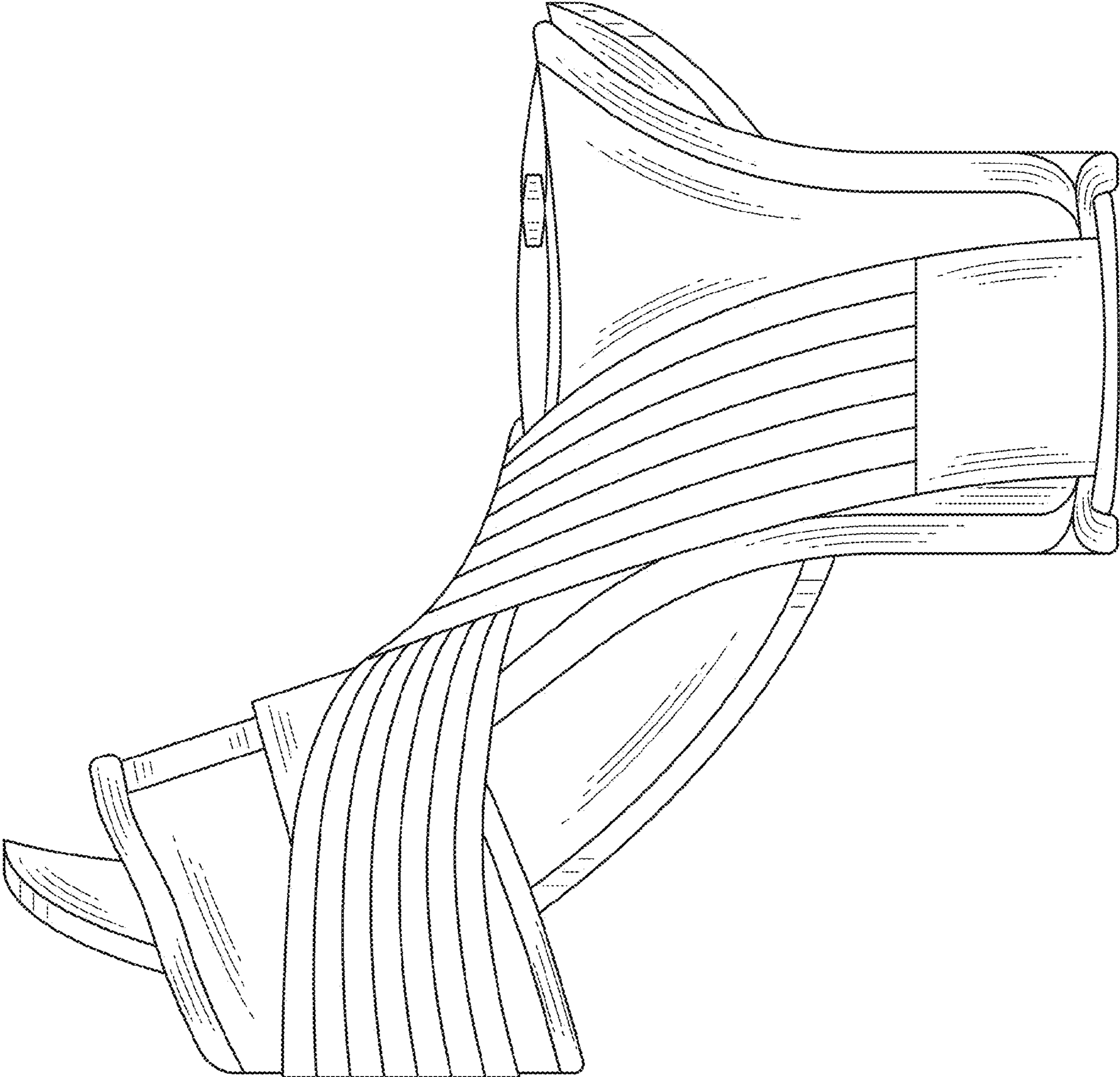


FIG.5

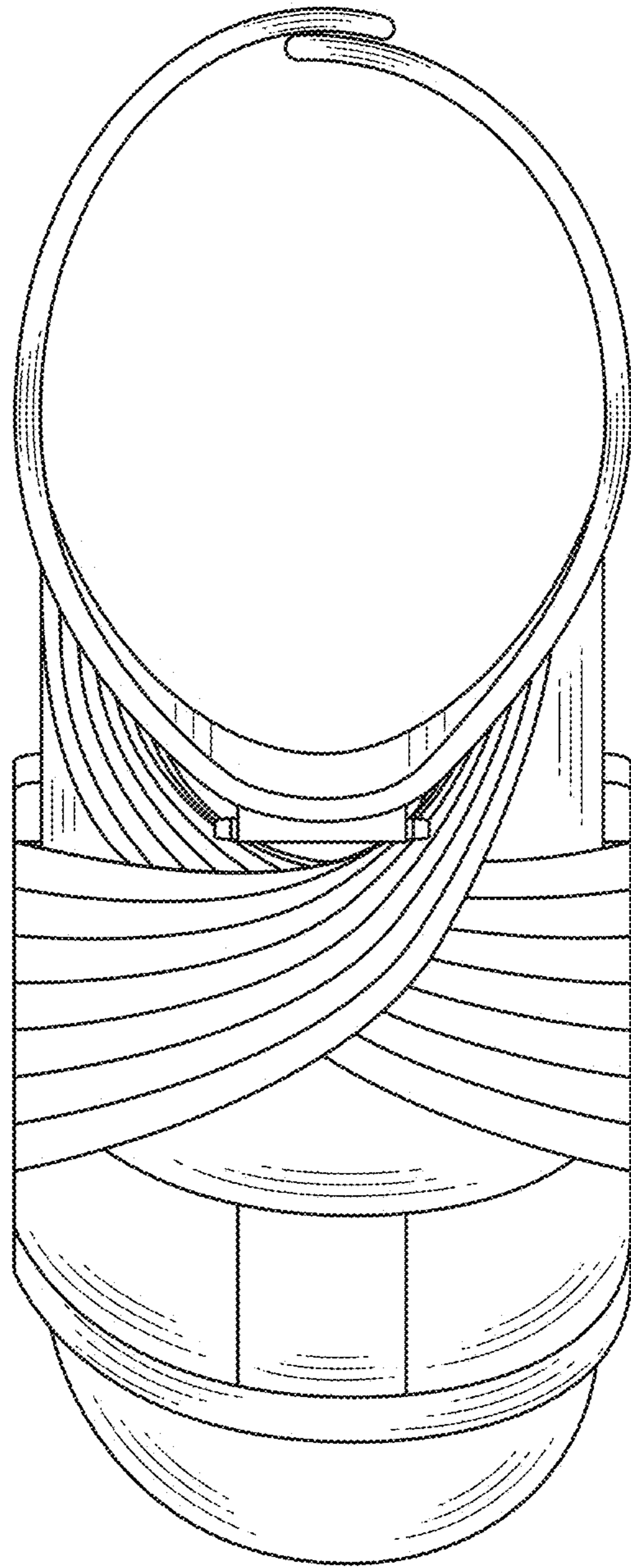


FIG.6



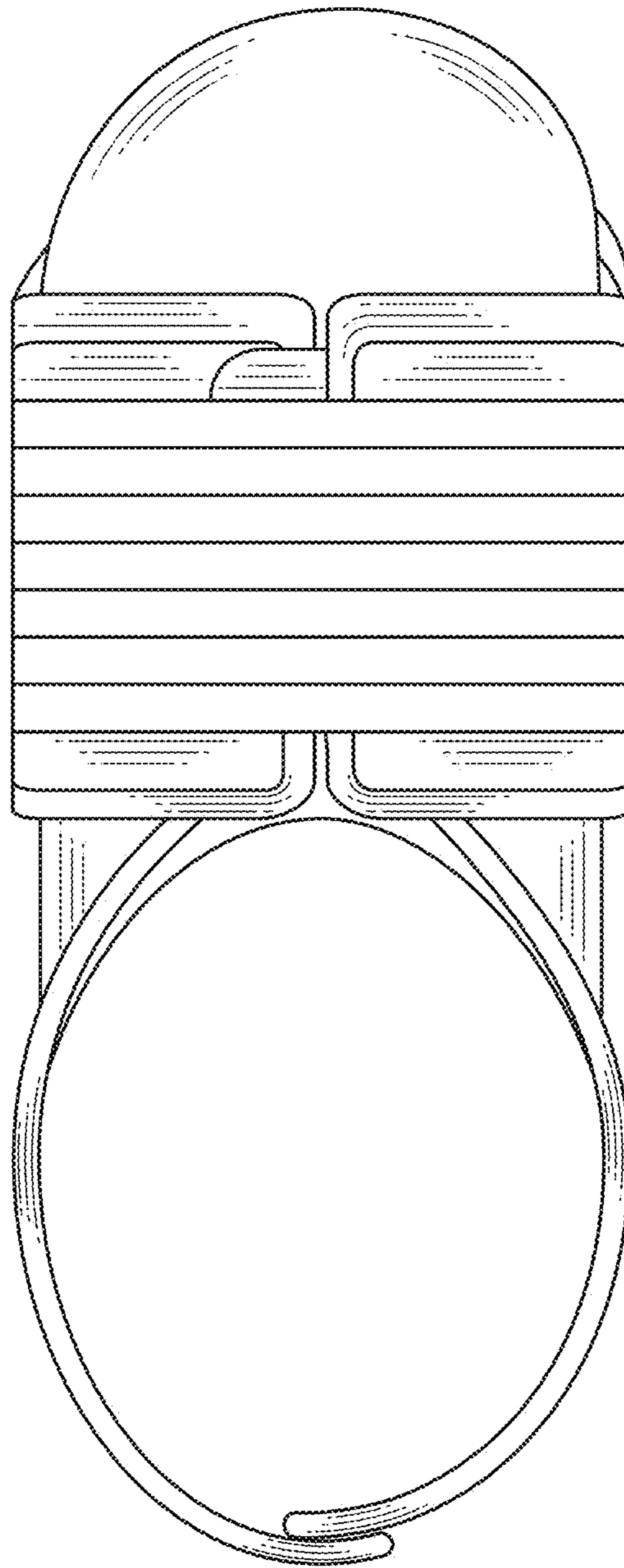


FIG.7

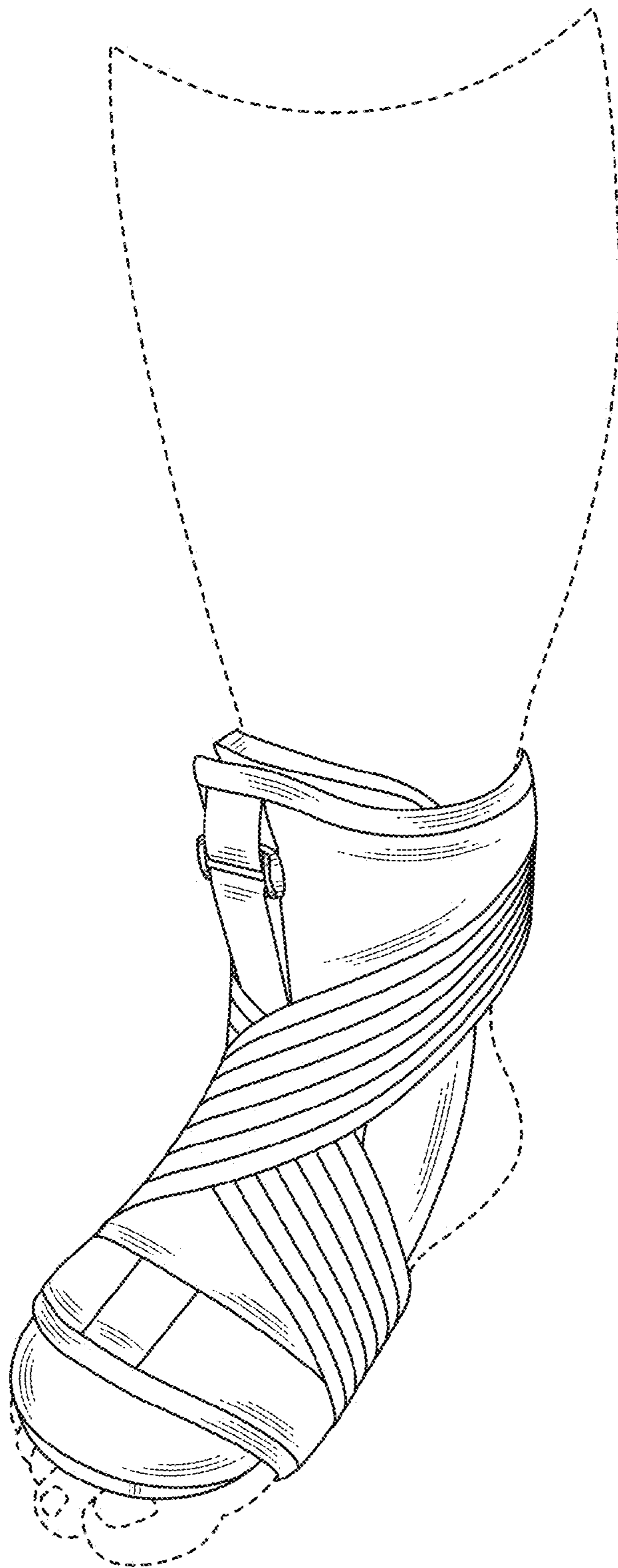


FIG.8