



US00D947391S

(12) **United States Design Patent**  
**Chen**

(10) **Patent No.:** **US D947,391 S**  
(45) **Date of Patent:** **\*\* Mar. 29, 2022**

- (54) **BACK BRACE BELT**
- (71) Applicant: **Guangzhou Zeqin Trading Co., Ltd.,**  
Guangdong (CN)
- (72) Inventor: **Jiaxing Chen,** Guangdong (CN)
- (73) Assignee: **Guangzhou Zeqin Trading Co., Ltd.,**  
Guangdong (CN)
- (\*\*) Term: **15 Years**
- (21) Appl. No.: **29/783,289**
- (22) Filed: **May 12, 2021**
- (51) **LOC (13) Cl.** ..... **24-01**
- (52) **U.S. Cl.**  
USPC ..... **D24/190**
- (58) **Field of Classification Search**  
USPC ..... D24/190-192, 189; D29/101.5  
CPC .. A61F 5/028; A61F 5/03; A61F 5/024; A61F  
5/0193; A61F 5/02; A61F 5/026; A61F  
5/0118; A61F 5/022; A61F 5/30; A61F  
5/0106; A61F 5/055; A61F 7/02; A61F  
2007/0001; A61F 2250/001  
See application file for complete search history.

- (56) **References Cited**  
U.S. PATENT DOCUMENTS
- 3,452,748 A \* 7/1969 Caprio ..... A61F 5/028  
128/95.1
- D353,890 S \* 12/1994 McKeel ..... D24/190
- D375,186 S \* 11/1996 Kim ..... D29/100
- 5,833,638 A \* 11/1998 Nelson ..... A61F 5/028  
602/19
- D404,490 S \* 1/1999 Tripolsky ..... D24/190
- D422,709 S \* 4/2000 Caswell ..... D2/624
- D451,605 S \* 12/2001 Snider ..... D24/190
- D496,108 S \* 9/2004 Machin ..... D24/190
- D499,846 S \* 12/2004 Cesko ..... D29/101.5
- D501,582 S \* 2/2005 Yang ..... D29/101.5
- D518,895 S \* 4/2006 Weaver, II ..... D24/190

- D625,019 S \* 10/2010 Chiang ..... D24/190
  - D626,244 S \* 10/2010 Sagnip ..... D24/190
  - D627,078 S \* 11/2010 Matsuo ..... D24/206
  - D628,300 S \* 11/2010 Caden ..... D24/190
  - D633,622 S \* 3/2011 Chiang ..... D24/190
- (Continued)

**OTHER PUBLICATIONS**

Copper Fit Advanced Back Pro, [site visited Jan. 28, 2022]. Avail-  
able from Internet. URL: <https://www.advancedbackpro.com/?MID=12040135> (Year: 2022).\*

(Continued)

*Primary Examiner* — T Chase Nelson  
*Assistant Examiner* — Kelly L Gross  
(74) *Attorney, Agent, or Firm* — ScienBiziP, P.C.

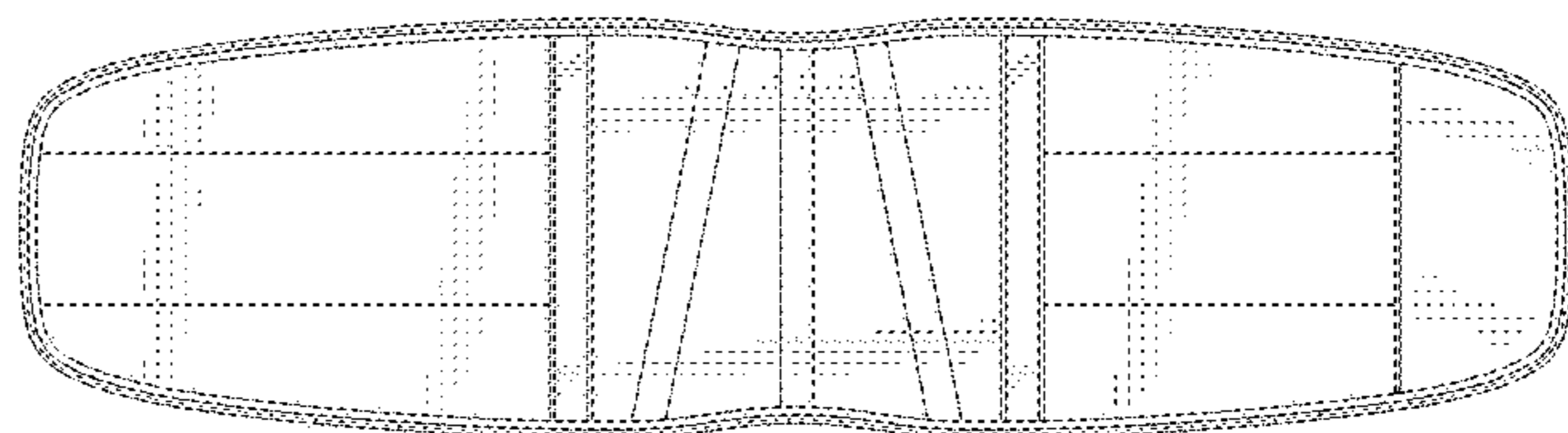
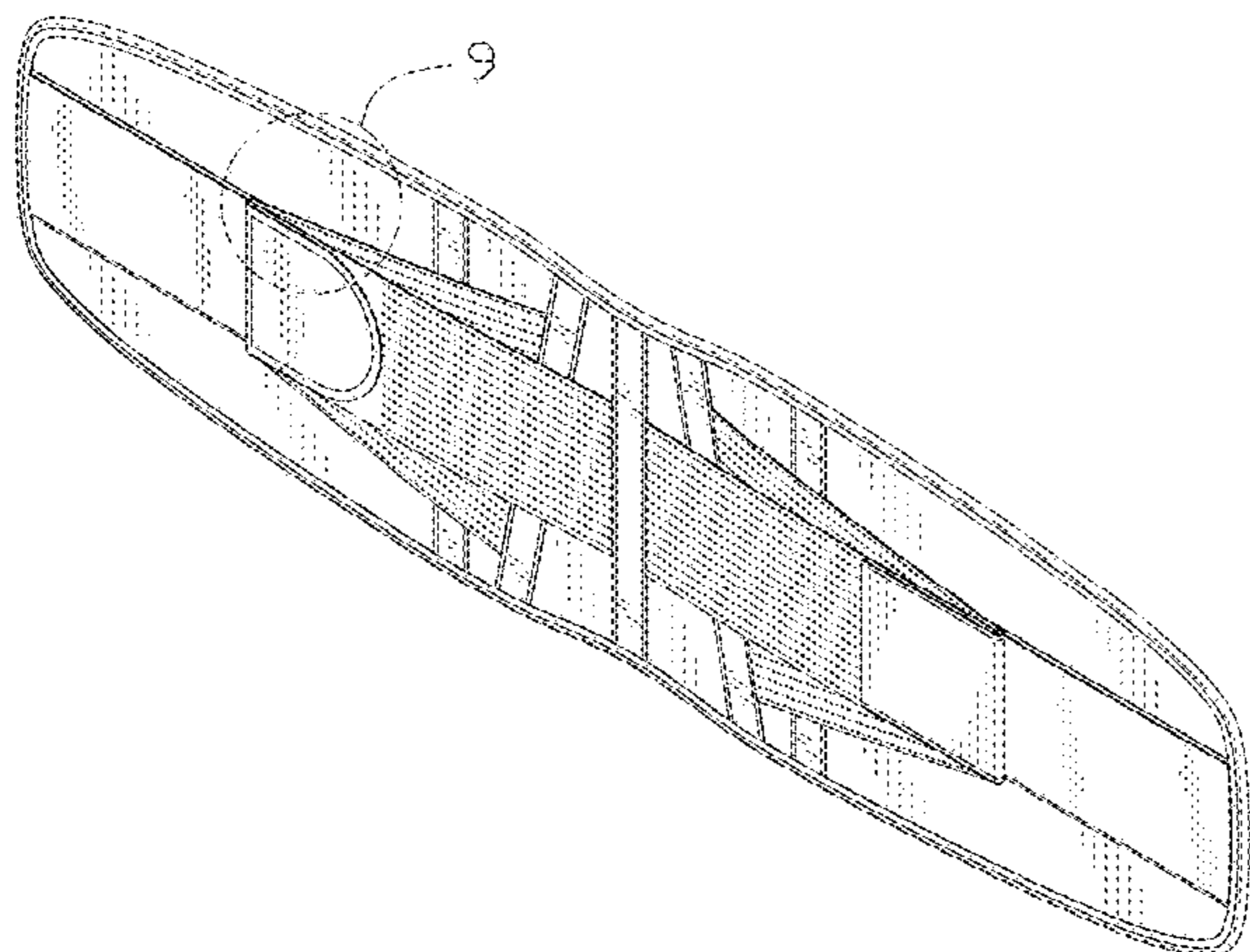
(57) **CLAIM**

The ornamental design for a back brace belt, as shown and described.

**DESCRIPTION**

FIG. 1 is a front, right, and top perspective view of a back brace belt, showing my design.  
FIG. 2 is a rear, left, and bottom perspective view thereof.  
FIG. 3 is a front elevation view thereof.  
FIG. 4 is a rear elevation view thereof.  
FIG. 5 is a left side elevation view thereof.  
FIG. 6 is a right side elevation view thereof.  
FIG. 7 is a top plan view thereof.  
FIG. 8 is a bottom plan view thereof.  
FIG. 9 is a partial enlarged view of an area labeled 9 in FIG. 1 comprising a part of a plane; and,  
FIG. 10 is a partial enlarged view of an area labeled 10 in FIG. 7 comprising a part of an edge.  
The broken lines framing portions of the claimed design that are illustrated for enlargements form no part of the claimed design.

**1 Claim, 10 Drawing Sheets**



(56)

References Cited

U.S. PATENT DOCUMENTS

D638,948 S \* 5/2011 Janzon ..... D24/190  
 D648,440 S \* 11/2011 Allen ..... D24/190  
 D650,485 S \* 12/2011 Jaccard ..... D24/190  
 D652,992 S \* 1/2012 Chen ..... D29/101.5  
 D654,180 S \* 2/2012 Weaver, II ..... D24/190  
 D657,062 S \* 4/2012 Chiang ..... D24/190  
 D660,439 S \* 5/2012 Chen ..... D24/190  
 D661,402 S \* 6/2012 Chen ..... D24/190  
 D695,902 S \* 12/2013 Daniels ..... D24/206  
 D749,230 S \* 2/2016 Safko ..... D24/190  
 D784,544 S \* 4/2017 Dudkiewicz ..... D29/101.3  
 D784,546 S \* 4/2017 Gordon ..... D24/190  
 D789,546 S \* 6/2017 Matfus ..... D24/190  
 D789,547 S \* 6/2017 Matfus ..... D24/190  
 D794,809 S \* 8/2017 Gramza ..... D24/190  
 D806,257 S \* 12/2017 Gramza ..... D24/190  
 D812,236 S \* 3/2018 Burke ..... D24/190  
 D813,320 S \* 3/2018 Delarosa ..... D21/662  
 D820,991 S 6/2018 Hylton et al.  
 D826,516 S \* 8/2018 Vopni ..... D2/624  
 D828,569 S \* 9/2018 Mercurio ..... D24/191  
 D831,221 S \* 10/2018 Smith ..... D24/190  
 10,299,955 B2 \* 5/2019 Burke ..... A61F 13/14  
 10,335,306 B2 \* 7/2019 Okada ..... A61F 5/03  
 D858,780 S 9/2019 Sikandar  
 D860,466 S \* 9/2019 Chiang ..... D24/190  
 D863,565 S \* 10/2019 Cisco, Jr. .... D24/190  
 D865,185 S \* 10/2019 Cisco, Jr. .... D24/190  
 D865,186 S \* 10/2019 Cisco, Jr. .... D24/190  
 D865,187 S \* 10/2019 Cisco, Jr. .... D24/190  
 D868,271 S \* 11/2019 Coughlan ..... D24/190  
 D873,493 S \* 1/2020 Geisinsky ..... A41G 3/0016  
 D875,260 S \* 2/2020 Rokitta ..... D24/190

D875,261 S \* 2/2020 Liu ..... D24/190  
 D881,515 S \* 4/2020 Mei ..... D2/702  
 D884,198 S \* 5/2020 Mei ..... D24/190  
 D884,199 S \* 5/2020 Mei ..... D24/190  
 D884,200 S \* 5/2020 Mei ..... D24/190  
 D893,104 S \* 8/2020 Ning ..... A61F 13/14  
 D28/93  
 10,736,766 B2 \* 8/2020 Booker ..... A61H 9/0078  
 10,842,660 B1 \* 11/2020 Norstrem ..... A61N 1/0484  
 D910,859 S \* 2/2021 Mei ..... D24/190  
 D913,630 S \* 3/2021 Mei ..... D2/702  
 D914,889 S \* 3/2021 Langberg ..... D2/702  
 D914,890 S \* 3/2021 Langberg ..... D2/702  
 D914,891 S \* 3/2021 Langberg ..... D2/702  
 D916,298 S \* 4/2021 Langberg ..... D2/702  
 D917,054 S \* 4/2021 Woo ..... D24/190  
 D918,403 S \* 5/2021 Chen ..... D24/190  
 D920,523 S \* 5/2021 Lin ..... D24/190  
 D929,598 S \* 8/2021 Zulkosky ..... A61F 5/028  
 D24/190  
 D932,635 S \* 10/2021 Ghaffari ..... D29/100  
 D933,333 S \* 10/2021 Xu ..... D24/190  
 D937,427 S \* 11/2021 Li ..... A61F 5/028  
 D24/190  
 D937,428 S \* 11/2021 Ho ..... D24/190  
 2009/0204042 A1 \* 8/2009 Park ..... A61F 5/028  
 602/19

OTHER PUBLICATIONS

Dilwe Adjustable Lumbar Support, [site visited Jan. 28, 2022]. Available from Internet. URL: <https://www.walmart.com/ip/Dilwe-Adjustable-Lumbar-Support-Belt-Lower-Back-Brace-Posture-Corrector-Waist-Wrap-Sciatica-Pain-Relief-Postpartum...> (Year: 2022).\*

\* cited by examiner

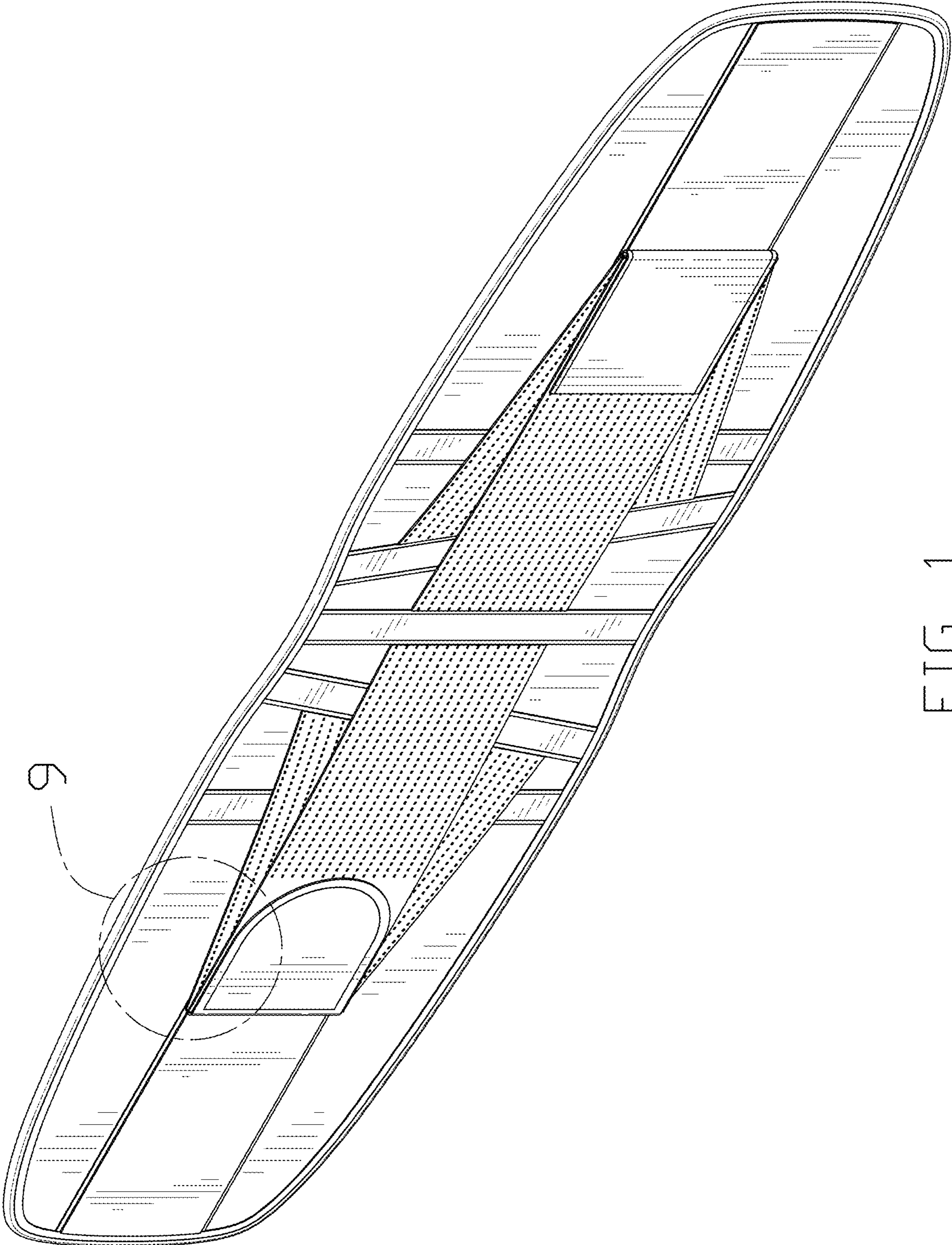


FIG. 1

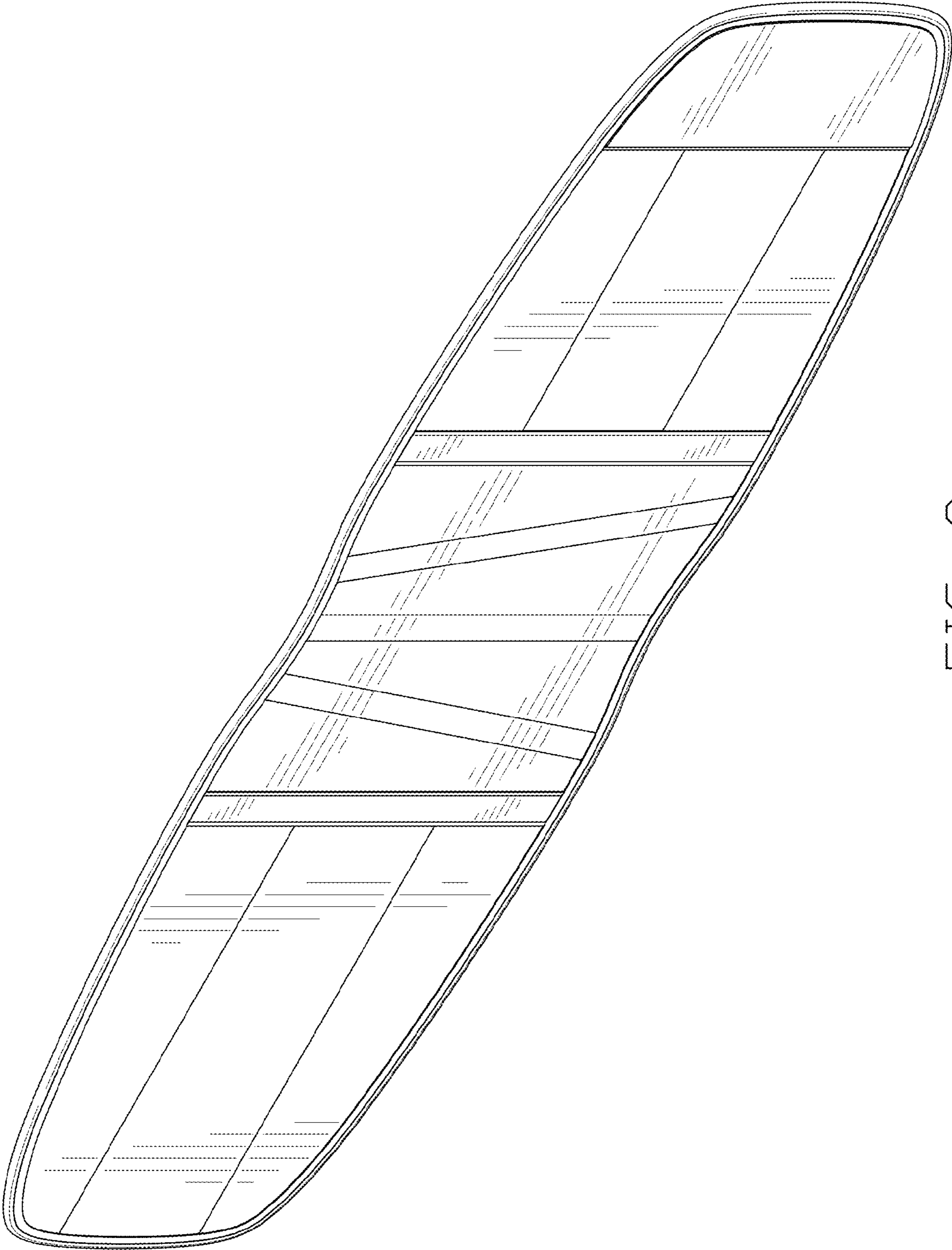


FIG. 2

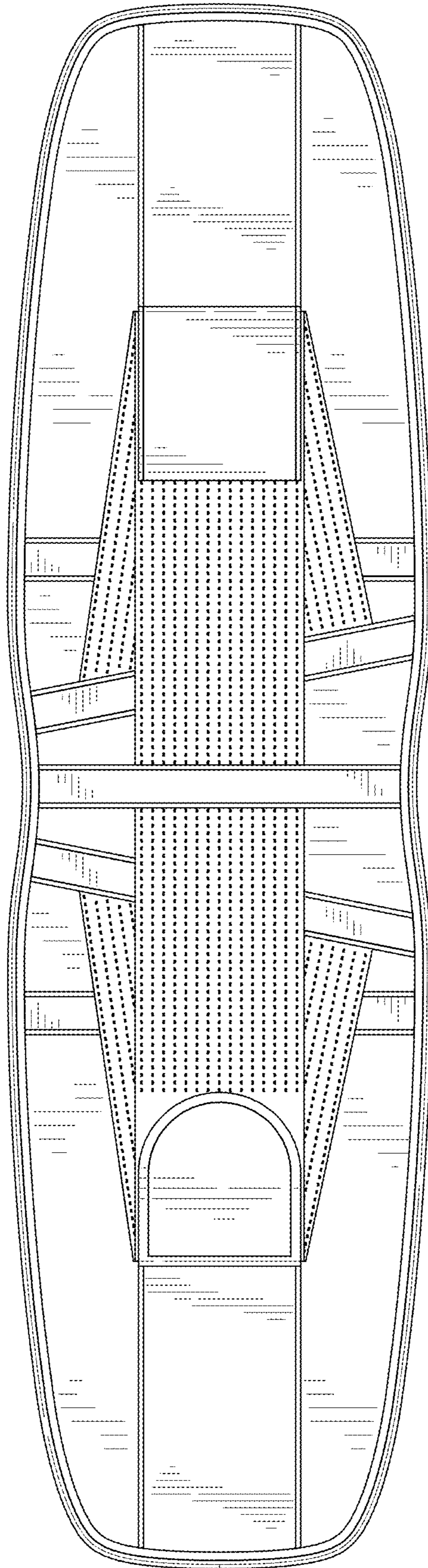


FIG. 3

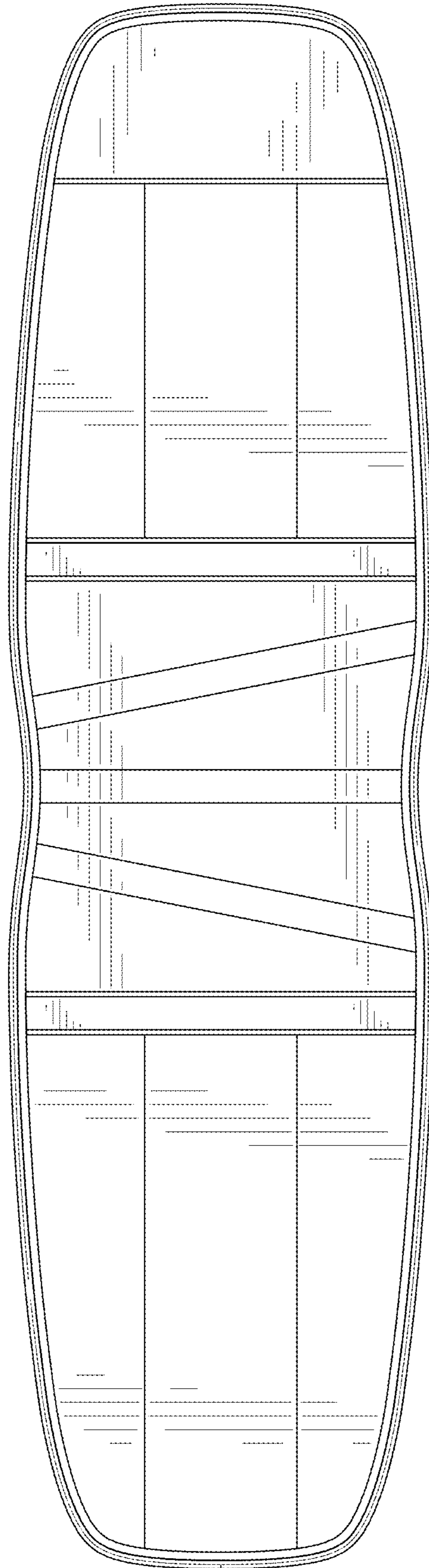


FIG. 4



FIG. 5

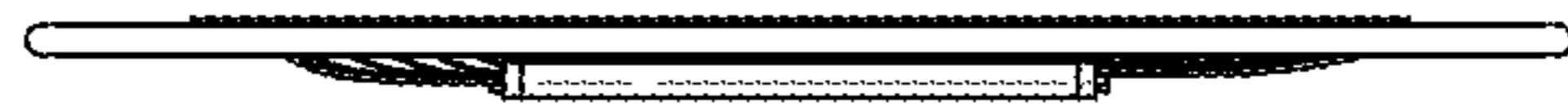


FIG. 6



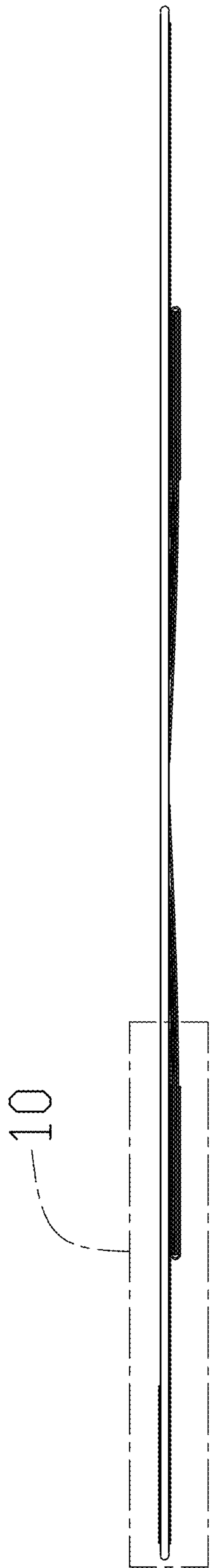


FIG. 7

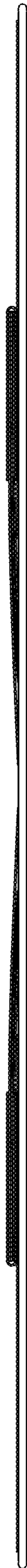


FIG. 8

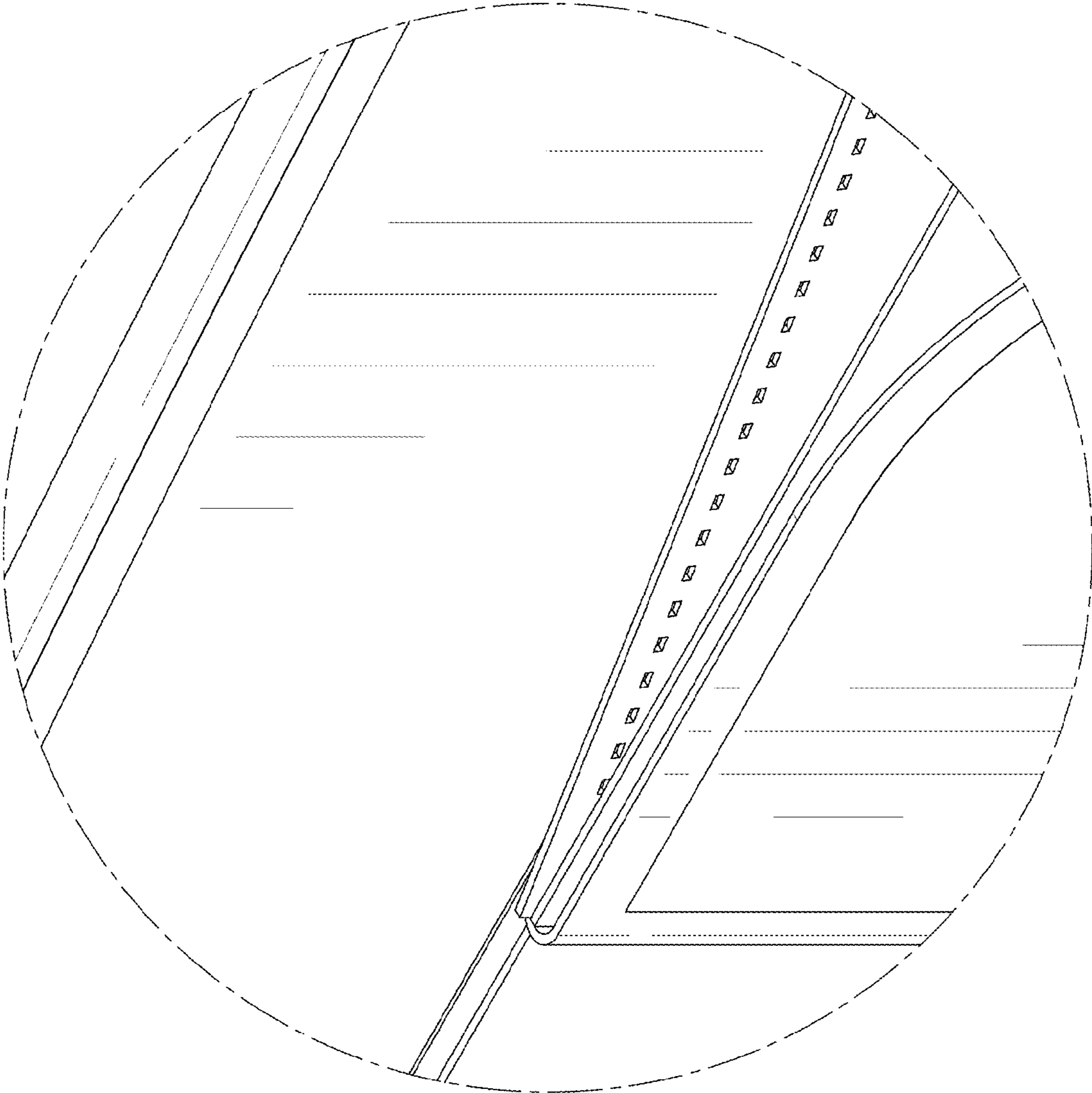


FIG. 9

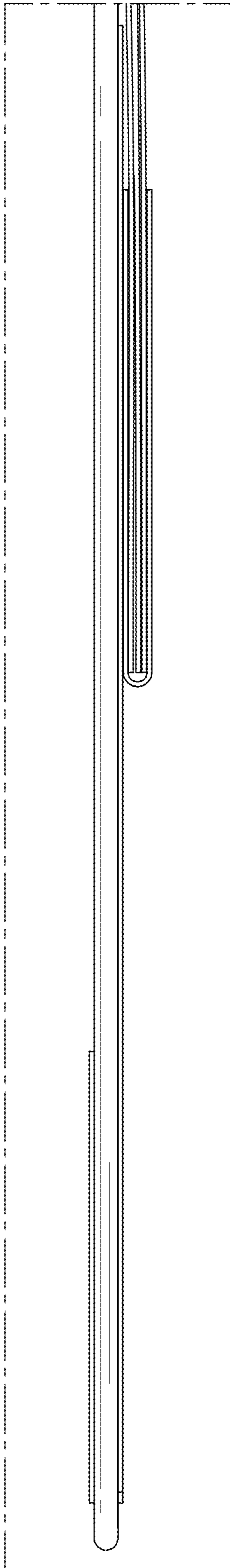


FIG. 10