



US00D947390S

(12) **United States Design Patent** (10) **Patent No.:** **US D947,390 S**
Katoh et al. (45) **Date of Patent:** **** Mar. 29, 2022**

(54) **MOTION ASSISTING DEVICE**

(71) Applicant: **JTEKT CORPORATION**, Osaka (JP)

(72) Inventors: **Yoshinobu Katoh**, Toyohashi (JP);
Hiromichi Ohta, Kariya (JP);
Kazuyoshi Ohtsubo, Chiryu (JP); **Yuki Kobayashi**, Nara (JP); **Shintaro Yoshida**, Shiki (JP); **Katsuhide Kikuchi**, Saitama (JP); **Mikio Shinohara**, Hino (JP)

(73) Assignee: **JTEKT CORPORATION**, Osaka (JP)

(**) Term: **15 Years**

(21) Appl. No.: **29/772,524**

(22) Filed: **Mar. 2, 2021**

Related U.S. Application Data

(62) Division of application No. 29/693,987, filed on Jun. 6, 2019.

Foreign Application Priority Data

Dec. 10, 2018 (JP) 2018-026833
Dec. 10, 2018 (JP) 2018-026834
Dec. 10, 2018 (JP) 2018-026835
Dec. 10, 2018 (JP) 2018-026836
Dec. 10, 2018 (JP) 2018-026837
Dec. 10, 2018 (JP) 2018-026838

(Continued)

(51) **LOC (13) Cl.** **24-02**

(52) **U.S. Cl.**
USPC **D24/190; D29/100**

(58) **Field of Classification Search**

USPC D29/100-101.5; D24/190
(Continued)

(56) **References Cited**

U.S. PATENT DOCUMENTS

8,568,344 B2 10/2013 Ferguson et al.
8,968,222 B2* 3/2015 Kazerooni B25J 9/0006
601/35

(Continued)

OTHER PUBLICATIONS

Jtekt Corporation I News releases (on-line), dated Dec. 12, 2018. Retrieved from Internet Nov. 24, 2020, URL: https://www.jtekt.co.jp/e/news/181212_1.html (3 pages) (Year: 2018).

(Continued)

Primary Examiner — Kimberly Barnes

(74) *Attorney, Agent, or Firm* — Oblon, McClelland, Maier & Neustadt, L.L.P.

(57) **CLAIM**

The ornamental design for a motion assisting device, as shown and described.

DESCRIPTION

FIG. 1 is a front elevational view of a motion assisting device showing our new design.

FIG. 2 is a rear elevational view thereof.

FIG. 3 is a top plan view thereof.

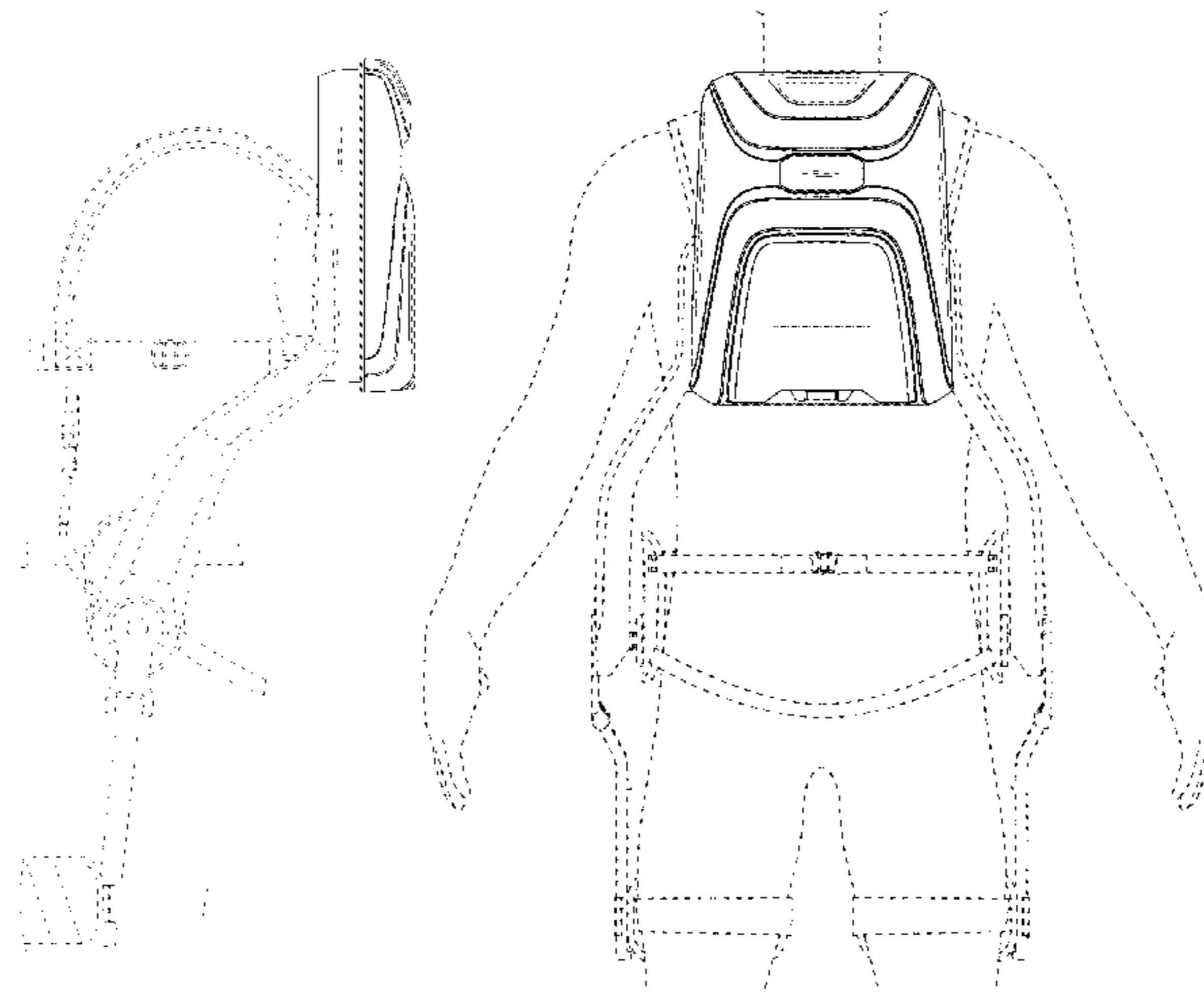
FIG. 4 is a bottom plan view thereof.

FIG. 5 is a right side elevational view thereof, the left side elevational view being a mirror image of the right side elevational view shown; and,

FIG. 6 is another front elevational view thereof showing a use state.

The outline of the partial human body shown in broken lines shown in FIG. 6 is for the purpose of illustrating an environment of use of the motion assisting device and forms no part of the claimed design. The remaining broken lines

(Continued)



that show portions of the motion assisting device also form no part of the claimed design.

1 Claim, 6 Drawing Sheets

(30) **Foreign Application Priority Data**

Dec. 10, 2018 (JP) 2018-026839
 Dec. 10, 2018 (JP) 2018-026840

(58) **Field of Classification Search**

CPC ... A63B 21/00; A63B 21/065; A63B 21/4007;
 A63B 21/4009; A63B 23/0405; A61H
 3/00; A61H 2003/007; A61H 3/008;
 A61H 1/00; A61H 1/0244
 See application file for complete search history.

(56) **References Cited**

U.S. PATENT DOCUMENTS

9,022,956 B2 5/2015 Kazerooni et al.
 D781,430 S 3/2017 Konishi et al.
 9,604,369 B2* 3/2017 Angold B25J 17/00
 D784,545 S 4/2017 Jangir
 D784,547 S 4/2017 Kwon et al.
 9,687,409 B2* 6/2017 Teng A61H 1/0244
 9,731,162 B2* 8/2017 Martin A63B 21/0557
 9,782,322 B2 10/2017 Nagarajan et al.
 9,808,073 B1 11/2017 Maxwell et al.
 9,907,722 B2 3/2018 Aguirre-Ollinger et al.
 D831,276 S* 10/2018 Pennington, Jr. D29/101.1
 10,166,679 B2 1/2019 Tanibayashi et al.
 10,288,384 B2* 5/2019 Kinnings A45F 3/12
 10,328,300 B2* 6/2019 Ko A63B 21/22
 10,426,688 B2* 10/2019 Robertson A61H 3/00
 10,449,105 B2 10/2019 Hollander
 10,610,439 B2 4/2020 Ohta et al.
 10,624,809 B2* 4/2020 Tsai A61H 1/0262
 D887,013 S 6/2020 Son et al.
 10,695,255 B2 6/2020 Choi et al.
 D889,672 S* 7/2020 Takama D24/190
 10,709,632 B2 7/2020 Endo
 10,710,237 B2 7/2020 Kumeno et al.
 D901,023 S 11/2020 Park et al.
 10,835,443 B2* 11/2020 Tsai A61H 1/0266
 D903,881 S* 12/2020 Ohta D24/190
 10,871,422 B2 12/2020 Nabeshima et al.
 2011/0183819 A1* 7/2011 Pharoe A63B 21/0552
 482/105
 2011/0264014 A1* 10/2011 Angold B25J 9/0006
 601/35
 2012/0292361 A1* 11/2012 Thiruppathi A45F 3/08
 224/576

2015/0197008 A1* 7/2015 Yoon B25J 9/0006
 700/250
 2016/0158593 A1* 6/2016 Craig A63B 21/4005
 482/78
 2018/0071129 A1 3/2018 Ozsecen et al.
 2018/0325764 A1 11/2018 Yagi
 2018/0338880 A1* 11/2018 Ohta A61H 3/008
 2019/0001493 A1* 1/2019 Hyun B25J 9/1633
 2019/0091094 A1 3/2019 Romo et al.
 2019/0192373 A1* 6/2019 Vouga A61H 1/0262
 2019/0254908 A1 8/2019 Ortlieb et al.
 2019/0282429 A1 9/2019 Son et al.
 2019/0314238 A1 10/2019 Kobayashi
 2019/0328553 A1 10/2019 Sankai
 2019/0344432 A1* 11/2019 Grenier A45F 3/10
 2019/0358808 A1 11/2019 Yoshimi et al.
 2020/0078253 A1 3/2020 Song et al.
 2020/0078254 A1 3/2020 Uematsu et al.
 2020/0179218 A1 6/2020 Katoh et al.
 2020/0206062 A1 7/2020 Kim et al.
 2020/0237600 A1* 7/2020 Arai B25J 13/088
 2020/0281803 A1 9/2020 Teng et al.
 2020/0289030 A1 9/2020 Ikeuchi
 2020/0289357 A1 9/2020 Sato et al.
 2020/0297571 A1 9/2020 Takahashi et al.
 2020/0337934 A1 10/2020 Wang et al.
 2020/0368094 A1* 11/2020 Yoshimi A61H 3/008
 2020/0383865 A1 12/2020 Barnes et al.
 2020/0405566 A1 12/2020 Chan et al.
 2020/0406449 A1 12/2020 Bilodeau et al.
 2021/0000678 A1 1/2021 Yasuhara et al.
 2021/0030613 A1* 2/2021 Kodama G06F 3/011
 2021/0052408 A1 2/2021 Takahashi
 2021/0052460 A1 2/2021 Soucy et al.
 2021/0069053 A1 3/2021 Terada et al.
 2021/0077335 A1* 3/2021 Yoshimi A61H 1/0292
 2021/0077839 A1* 3/2021 Arai B25J 9/0006
 2021/0078162 A1* 3/2021 Yoshimi B25J 9/104
 2021/0078163 A1* 3/2021 Ohtsubo B25J 9/0006
 2021/0128389 A1* 5/2021 Ohta A61H 1/0292
 2021/0128390 A1 5/2021 Choi et al.
 2021/0137722 A1* 5/2021 Arai A61F 5/0102
 2021/0291354 A1* 9/2021 Kobayashi A61H 1/0244
 2021/0369534 A1* 12/2021 Kobayashi A61H 1/0244

OTHER PUBLICATIONS

U.S. Notice of Allowance dated Oct. 6, 2021 in U.S. Appl. No. 29/693,987 (6 pages).
 U.S. Ex Parte Quayle Action dated Jun. 18, 2021 in U.S. divisional U.S. Appl. No. 29/772,529 (9 pages).
 U.S. Non-Final Office Action dated Jun. 18, 2021 in U.S. divisional U.S. Appl. No. 29/772,532 (8 pages).
 U.S. Notice of Allowance dated Oct. 7, 2021 in U.S. Appl. No. 29/772,532 (6 pages).

* cited by examiner

FIG. 1

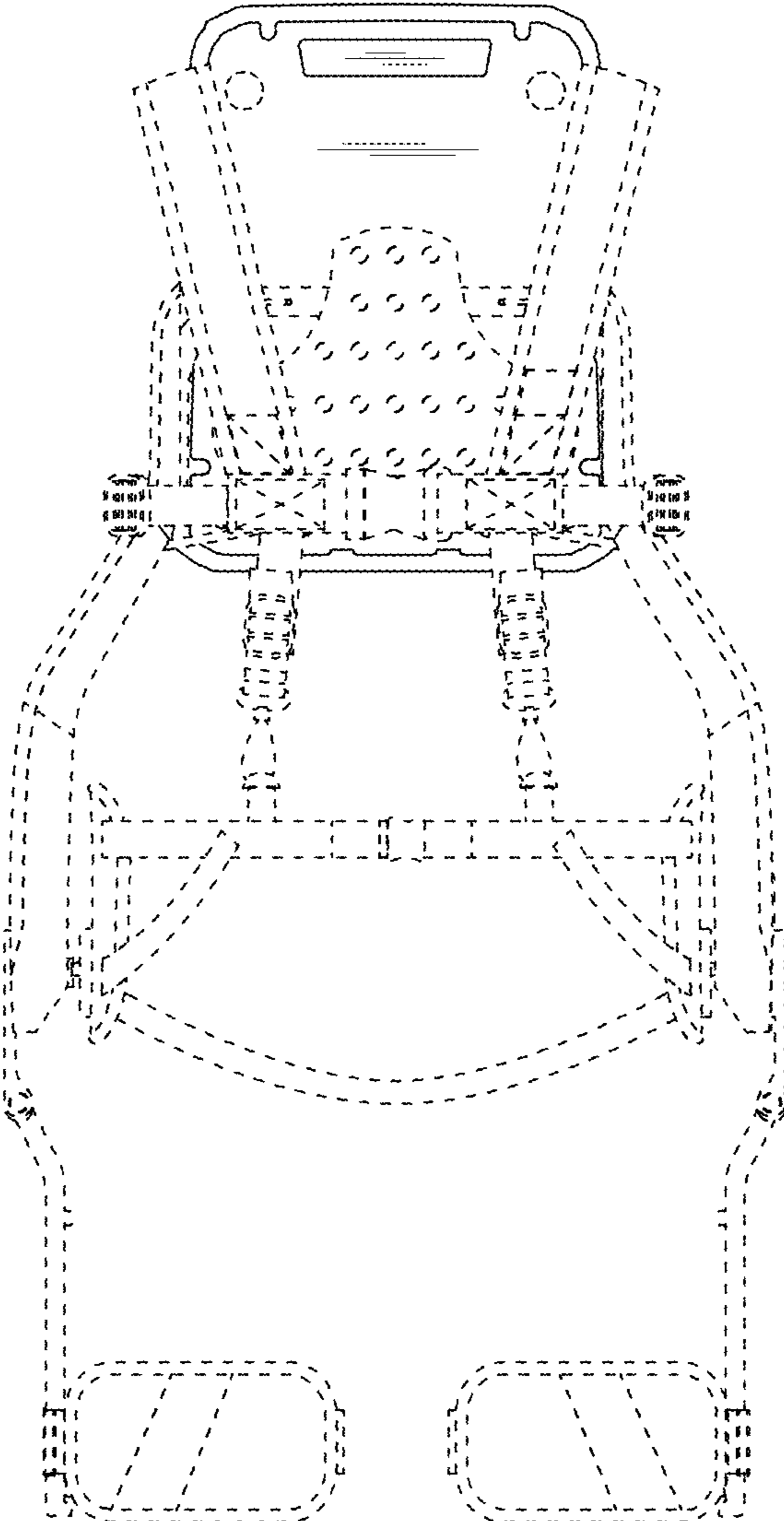


FIG. 2

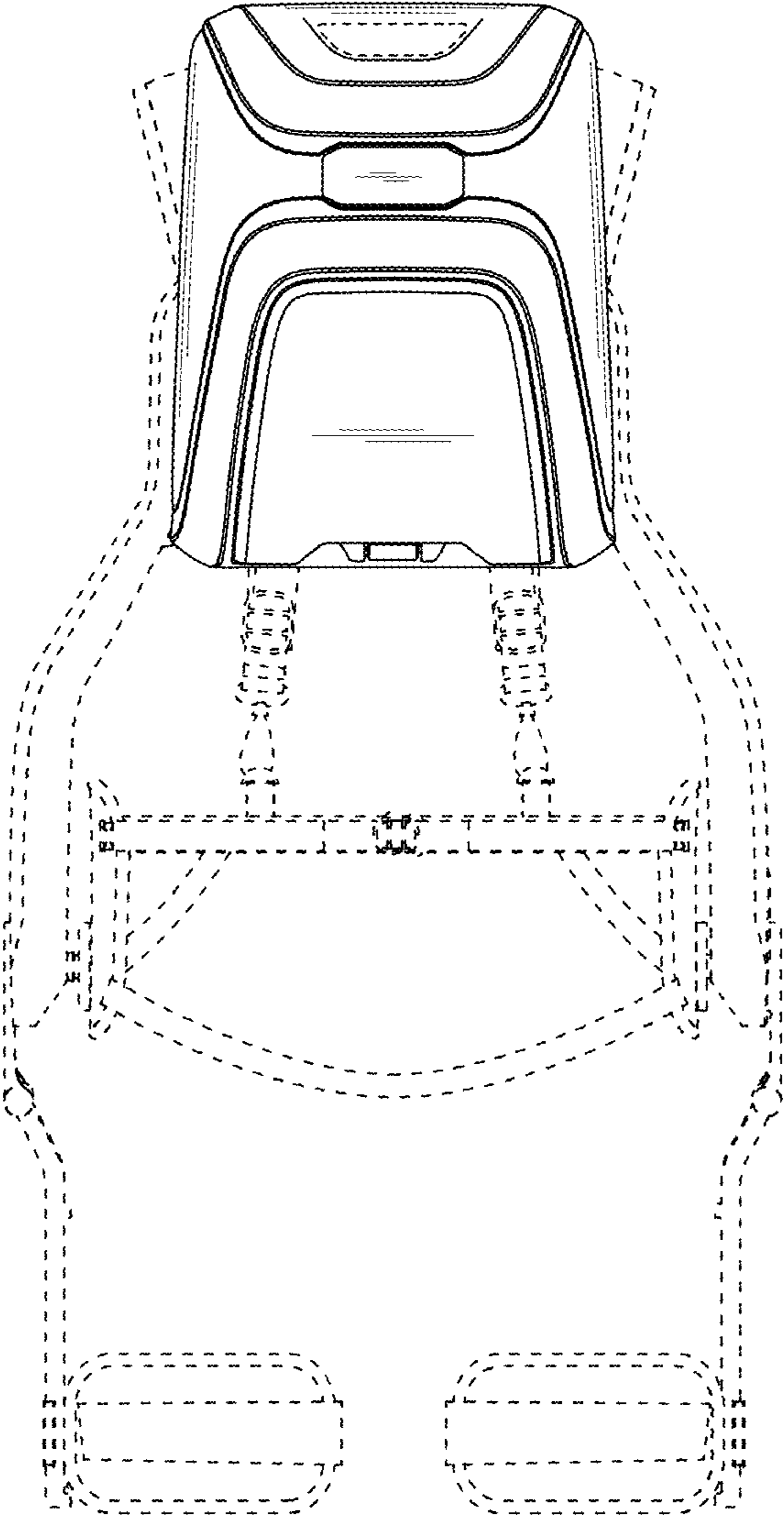


FIG. 3

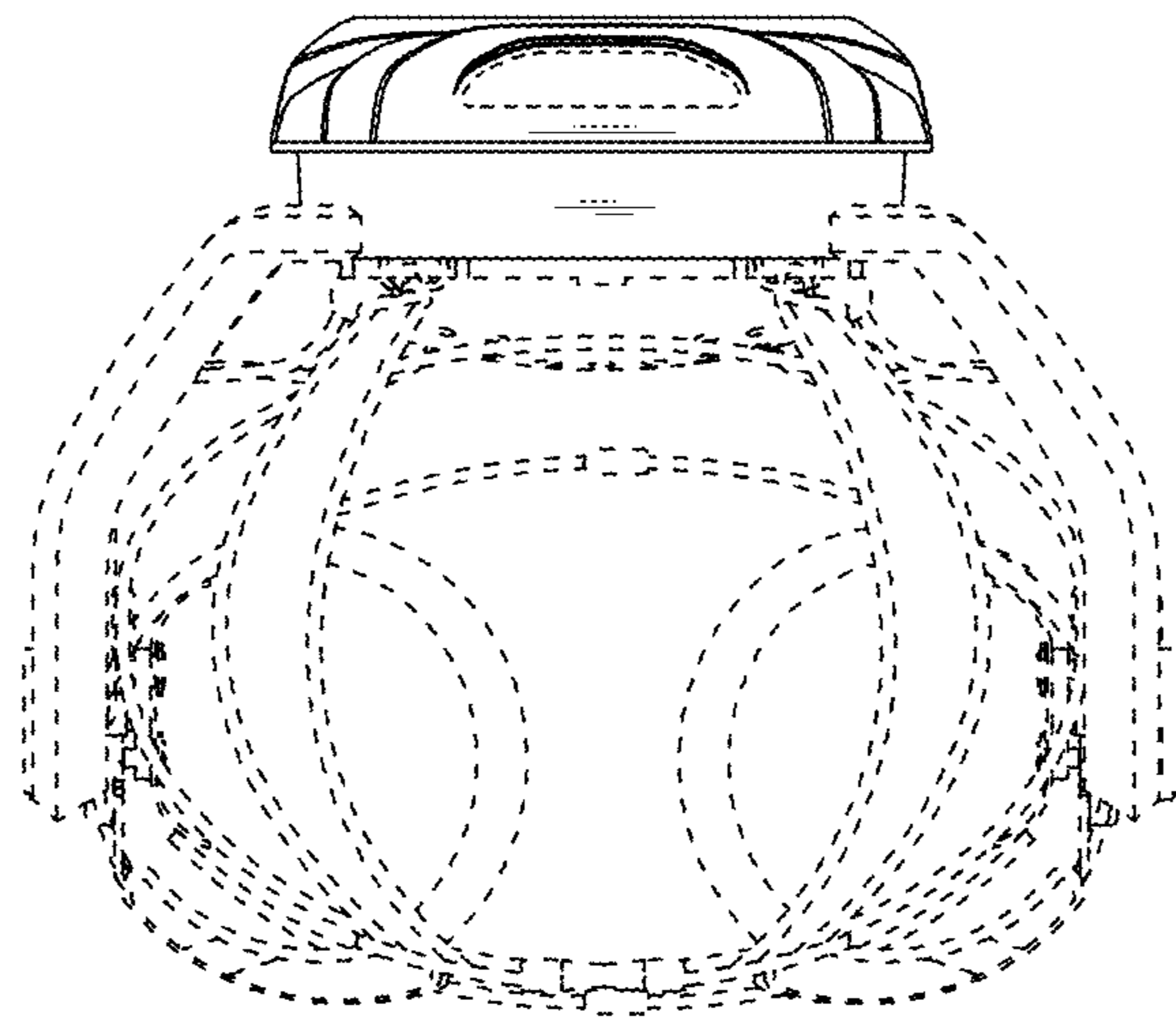


FIG. 4

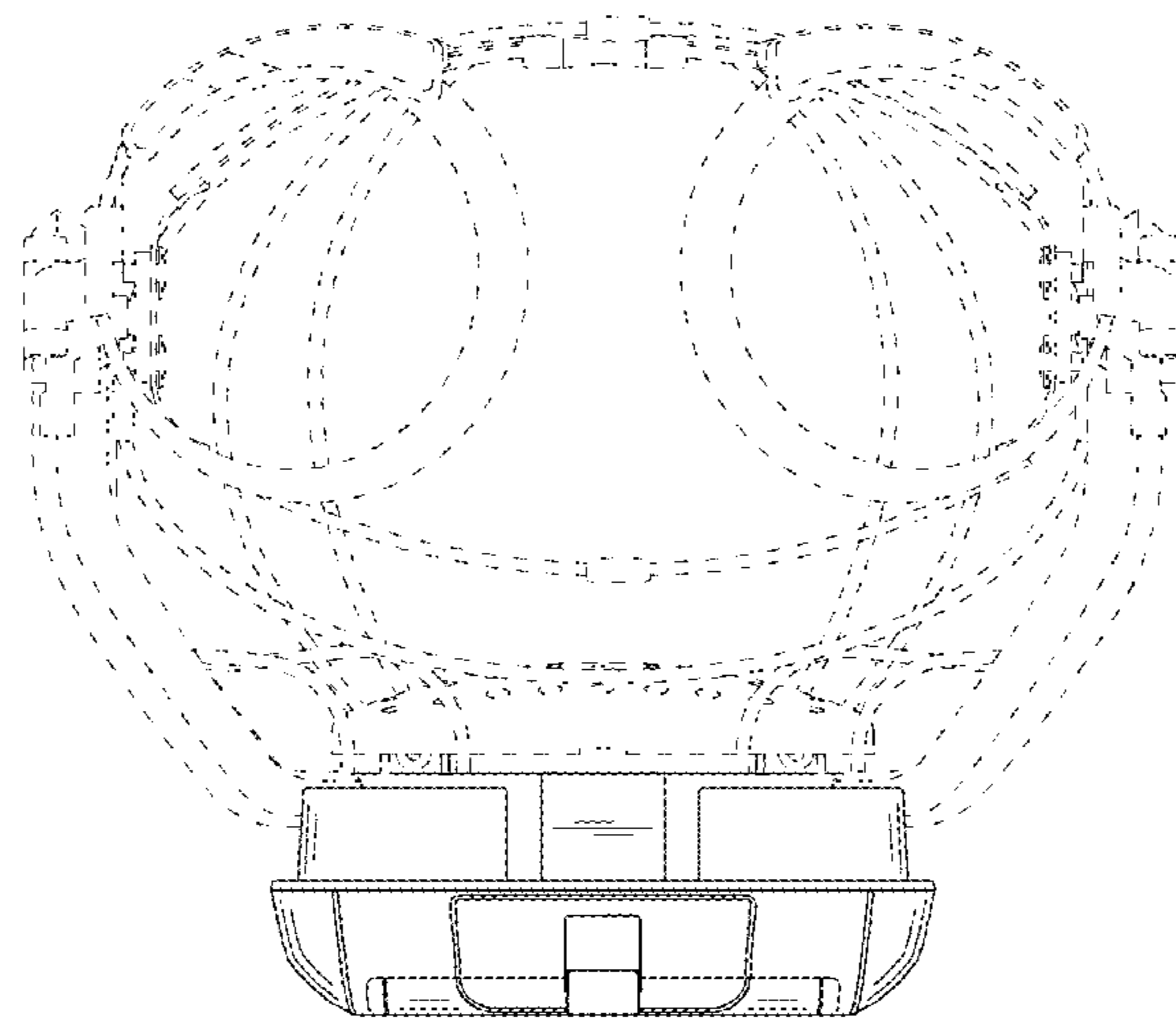


FIG. 5

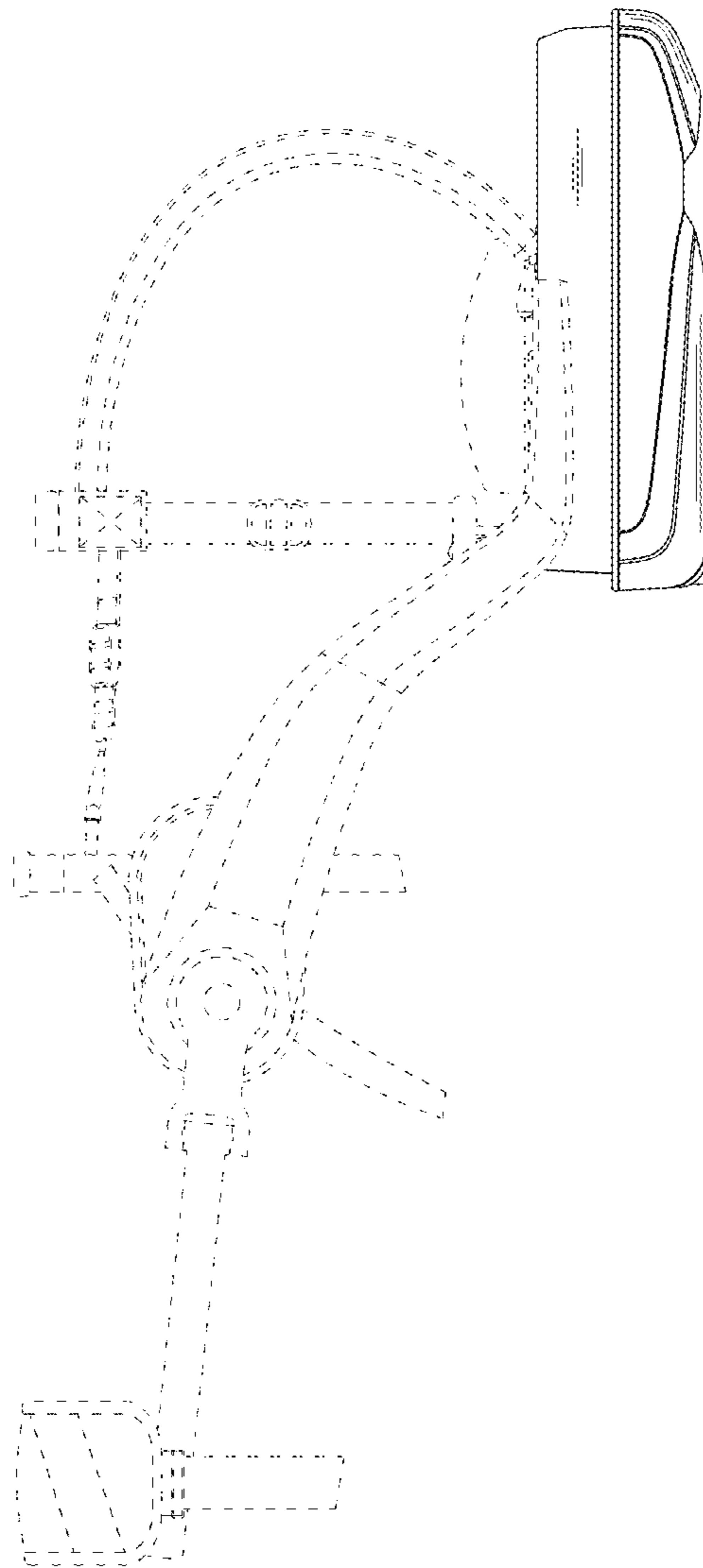


FIG. 6

