



US00D947388S

(12) **United States Design Patent**
Katoh et al.

(10) **Patent No.:** **US D947,388 S**
(45) **Date of Patent:** **** Mar. 29, 2022**

(54) **MOTION ASSISTING DEVICE**

(71) Applicant: **JTEKT CORPORATION**, Osaka (JP)

(72) Inventors: **Yoshinobu Katoh**, Toyohashi (JP);
Hikomichi Ohta, Kariya (JP);
Kazuyoshi Ohtsubo, Chiryu (JP); **Yuki Kobayashi**, Nara (JP); **Shintaro Yoshida**, Shiki (JP); **Katsuhide Kikuchi**, Saitama (JP); **Mikio Shinohara**, Hino (JP)

(73) Assignee: **JTEKT CORPORATION**, Osaka (JP)

(**) Term: **15 Years**

(21) Appl. No.: **29/693,987**

(22) Filed: **Jun. 6, 2019**

(30) **Foreign Application Priority Data**

| | | | |
|---------------|------|-------|-------------|
| Dec. 10, 2018 | (JP) | | 2018-026833 |
| Dec. 10, 2018 | (JP) | | 2018-026834 |
| Dec. 10, 2018 | (JP) | | 2018-026835 |
| Dec. 10, 2018 | (JP) | | 2018-026836 |
| Dec. 10, 2018 | (JP) | | 2018-026837 |
| Dec. 10, 2018 | (JP) | | 2018-026838 |
| Dec. 10, 2018 | (JP) | | 2018-026839 |
| Dec. 10, 2018 | (JP) | | 2018-026840 |

(51) **LOC (13) Cl.** **24-02**

(52) **U.S. Cl.**
USPC **D24/190; D29/100**

(58) **Field of Classification Search**
USPC D29/100, 101.1, 101.2, 101.3, 101.4,
D29/101.5; D24/190
CPC ... A63B 21/00; A63B 21/065; A63B 21/4007;
A63B 21/4009; A63B 23/0405; A61H
(Continued)

(56) **References Cited**

U.S. PATENT DOCUMENTS

| | | | | | |
|-----------|------|---------|-----------|-------|-----------------------|
| 8,568,344 | B2 * | 10/2013 | Ferguson | | A61H 1/0244 602/16 |
| 8,968,222 | B2 * | 3/2015 | Kazerooni | | B25J 9/0006 601/35 |

(Continued)

OTHER PUBLICATIONS

Jtekt Corporation | News releases (on-line), dated Dec. 12, 2018.
Retrieved from Internet Nov. 24, 2020, URL: https://www.jtekt.co.jp/e/news/181212_1.html (3 pages) (Year: 2018).*

(Continued)

Primary Examiner — Kimberly Barnes

(74) *Attorney, Agent, or Firm* — Oblon, McClelland,
Maier & Neustadt, L.L.P.

(57) **CLAIM**

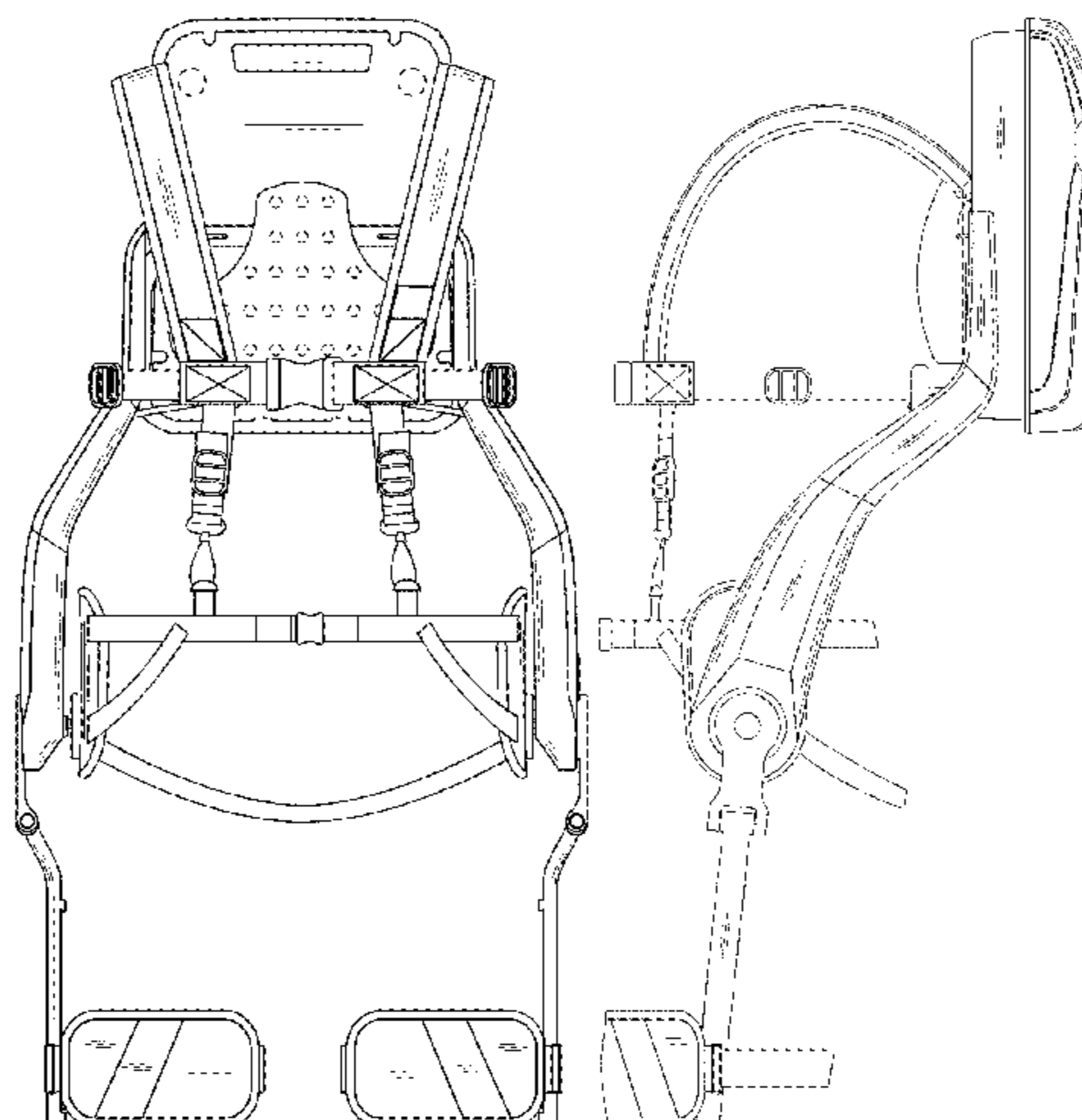
The ornamental design for a motion assisting device, as shown and described.

DESCRIPTION

FIG. 1 is a front elevational view of a motion assisting device showing our new design;
FIG. 2 is a rear elevational view thereof;
FIG. 3 is a top plan view thereof;
FIG. 4 is a bottom plan view thereof;
FIG. 5 is a right side elevational view thereof, the left side elevational view being a mirror image of the right side elevational view shown; and,
FIG. 6 is another front elevational view thereof showing a use state.

The outline of the partial human body shown in broken lines shown in FIG. 6 is for the purpose of illustrating an environment of use of the motion assisting device and forms no part of the claimed design. The remaining broken lines that show portions of the motion assisting device also form no part of the claimed design.

1 Claim, 6 Drawing Sheets



(58) **Field of Classification Search**
 CPC 3/00; A61H 2003/007; A61H 3/008; A61H
 1/00; A61H 1/0244
 See application file for complete search history.

(56) **References Cited**

U.S. PATENT DOCUMENTS

9,022,956 B2 * 5/2015 Kazerooni A61H 3/00
 601/5
 D781,430 S * 3/2017 Konishi D24/190
 9,604,369 B2 * 3/2017 Angold et al.
 D784,545 S * 4/2017 Jangir D24/190
 D784,547 S * 4/2017 Kwon D24/190
 9,687,409 B2 6/2017 Teng et al.
 9,731,162 B2 8/2017 Martin
 9,782,322 B2 * 10/2017 Nagarajan A63B 23/0405
 9,808,073 B1 * 11/2017 Maxwell A61H 3/008
 9,907,722 B2 * 3/2018 Aguirre-Ollinger
 A61H 1/0244
 D831,276 S 10/2018 Pennington, Jr. et al.
 10,166,679 B2 * 1/2019 Tanibayashi A61H 1/0244
 10,288,384 B2 5/2019 Kinnings
 10,328,300 B2 6/2019 Ko
 10,426,688 B2 10/2019 Robertson et al.
 10,449,105 B2 * 10/2019 Hollander A61F 2/68
 10,610,439 B2 * 4/2020 Ohta A61H 1/0244
 10,624,809 B2 * 4/2020 Tsai A61H 1/0262
 D887,013 S 6/2020 Son et al.
 10,695,255 B2 * 6/2020 Choi A61H 1/0244
 D889,672 S 7/2020 Takama et al.
 10,709,632 B2 * 7/2020 Endo G01C 22/006
 10,710,237 B2 * 7/2020 Kumeno A61H 1/024
 D901,023 S * 11/2020 Park D24/190
 10,835,443 B2 11/2020 Tsai et al.
 D903,881 S * 12/2020 Ohta D24/190
 10,871,422 B2 12/2020 Nabeshima et al.
 2011/0183819 A1 7/2011 Pharoe
 2011/0264014 A1 * 10/2011 Angold B25J 9/0006
 601/35
 2012/0292361 A1 * 11/2012 Thiruppathi A45F 3/08
 224/576
 2015/0197008 A1 * 7/2015 Yoon B25J 9/0006
 700/250
 2016/0158593 A1 6/2016 Craig et al.
 2018/0071129 A1 * 3/2018 Ozsecen A61F 5/028
 2018/0325764 A1 * 11/2018 Yagi A61H 1/0244
 2018/0338880 A1 11/2018 Ohta et al.
 2019/0001493 A1 * 1/2019 Hyun B25J 9/1633
 2019/0091094 A1 * 3/2019 Romo A61H 3/00

2019/0192373 A1 6/2019 Vouga et al.
 2019/0254908 A1 * 8/2019 Ortlieb A61H 1/0244
 2019/0282429 A1 * 9/2019 Son A61H 1/0237
 2019/0314238 A1 * 10/2019 Kobayashi A61H 1/0244
 2019/0328553 A1 10/2019 Sankai
 2019/0344432 A1 11/2019 Grenier et al.
 2019/0358808 A1 * 11/2019 Yoshimi A61H 1/0237
 2020/0078253 A1 3/2020 Song et al.
 2020/0078254 A1 3/2020 Uematsu et al.
 2020/0179218 A1 * 6/2020 Katoh A61H 1/0244
 2020/0206062 A1 7/2020 Kim et al.
 2020/0237600 A1 7/2020 Arai et al.
 2020/0281803 A1 9/2020 Teng et al.
 2020/0289030 A1 * 9/2020 Ikeuchi A61B 5/1116
 2020/0289357 A1 * 9/2020 Sato A61H 1/00
 2020/0297571 A1 9/2020 Takahashi et al.
 2020/0337934 A1 * 10/2020 Wang B25J 9/14
 2020/0368094 A1 11/2020 Yoshimi et al.
 2020/0383865 A1 12/2020 Barnes et al.
 2020/0405566 A1 12/2020 Chan et al.
 2020/0406449 A1 12/2020 Bilodeau et al.
 2021/0000678 A1 1/2021 Yasuhara et al.
 2021/0030613 A1 2/2021 Kodama et al.
 2021/0052408 A1 2/2021 Takahashi
 2021/0052460 A1 2/2021 Soucy et al.
 2021/0069053 A1 3/2021 Terada et al.
 2021/0077335 A1 * 3/2021 Yoshimi A61H 1/0292
 2021/0077839 A1 * 3/2021 Arai B25J 9/0006
 2021/0078162 A1 * 3/2021 Yoshimi B25J 9/104
 2021/0078163 A1 * 3/2021 Ohtsubo B25J 9/0006
 2021/0128389 A1 * 5/2021 Ohta A61H 1/0292
 2021/0128390 A1 5/2021 Choi et al.
 2021/0137722 A1 * 5/2021 Arai A61F 5/0102
 2021/0291354 A1 * 9/2021 Kobayashi A61H 1/0244
 2021/0369534 A1 * 12/2021 Kobayashi A61H 1/0244

OTHER PUBLICATIONS

U.S. Non-Final Office Action dated Jun. 18, 2021 in U.S. Appl. No.
 29/772,524 (9 pages).
 U.S. Notice of Allowance dated Oct. 7, 2021 in U.S. Appl. No.
 29/772,524 (6 pages).
 U.S. Ex Parte Quayle Action dated Jun. 18, 2021 in U.S. Appl. No.
 29/772,529 (9 pages).
 U.S. Non-Final Office Action dated Jun. 18, 2021 in U.S. Appl. No.
 29/772,532 (8 pages).
 U.S. Notice of Allowance dated Oct. 7, 2021 in U.S. Appl. No.
 29/772,532 (6 pages).

* cited by examiner

FIG. 1

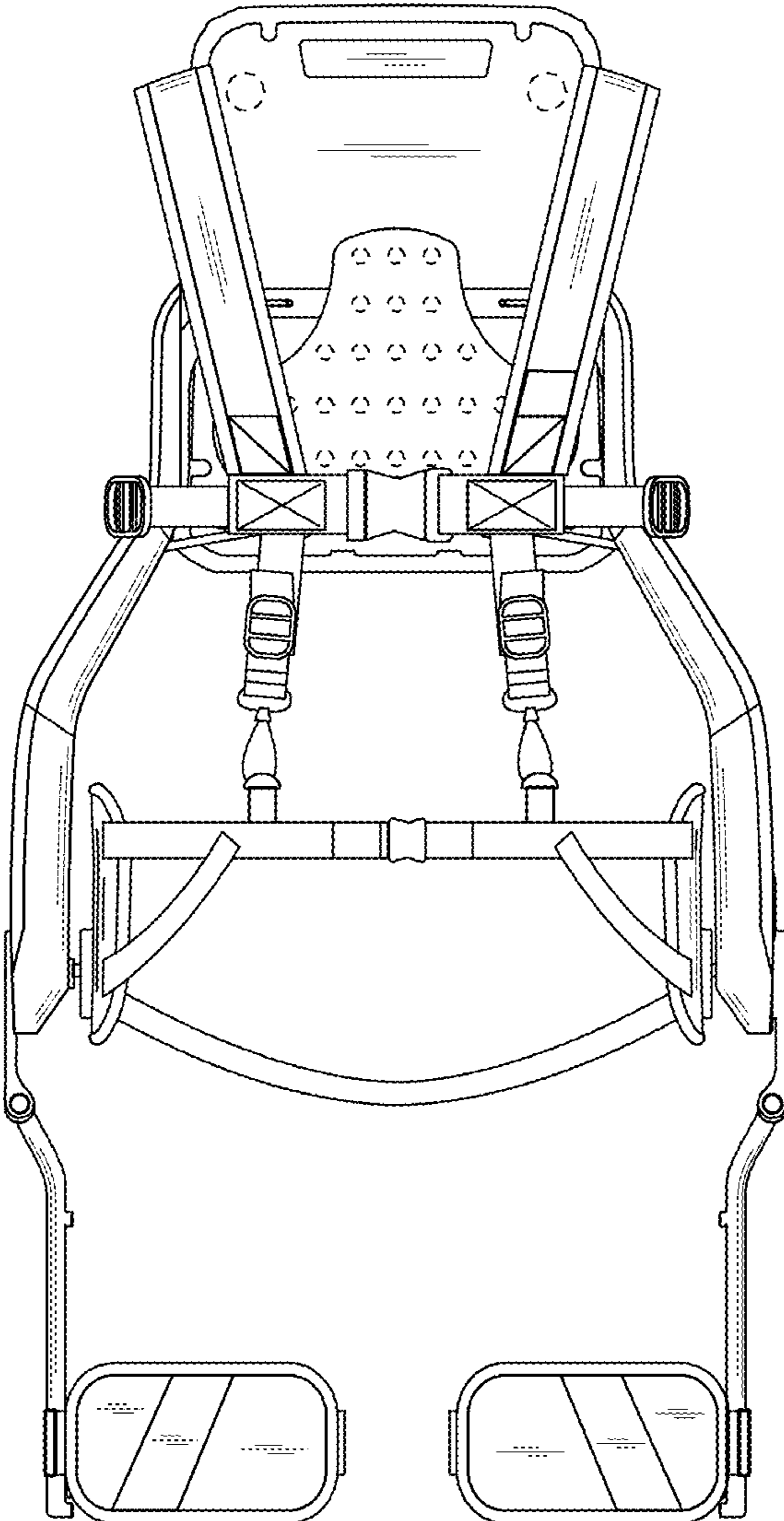


FIG. 2

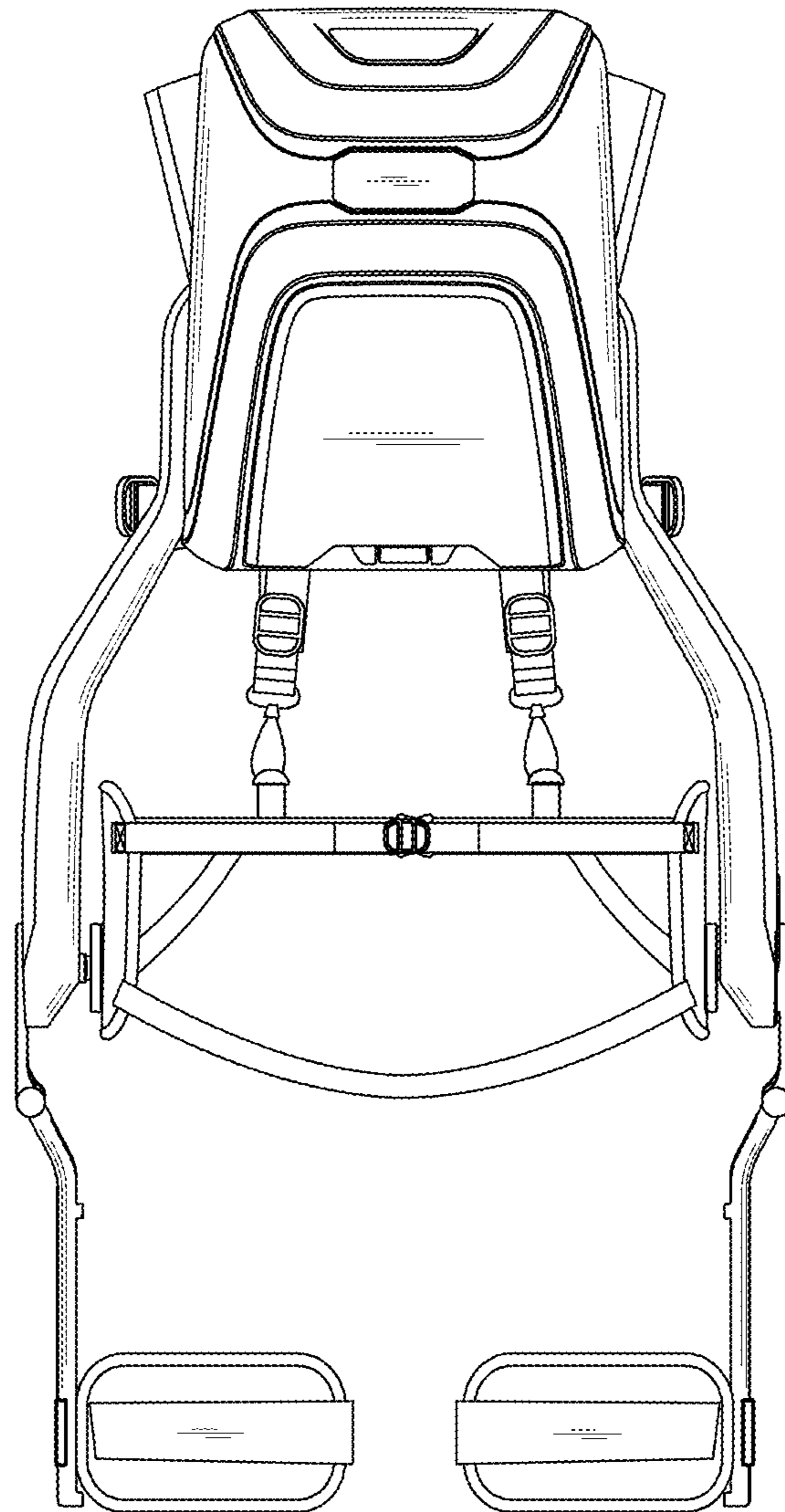


FIG. 3

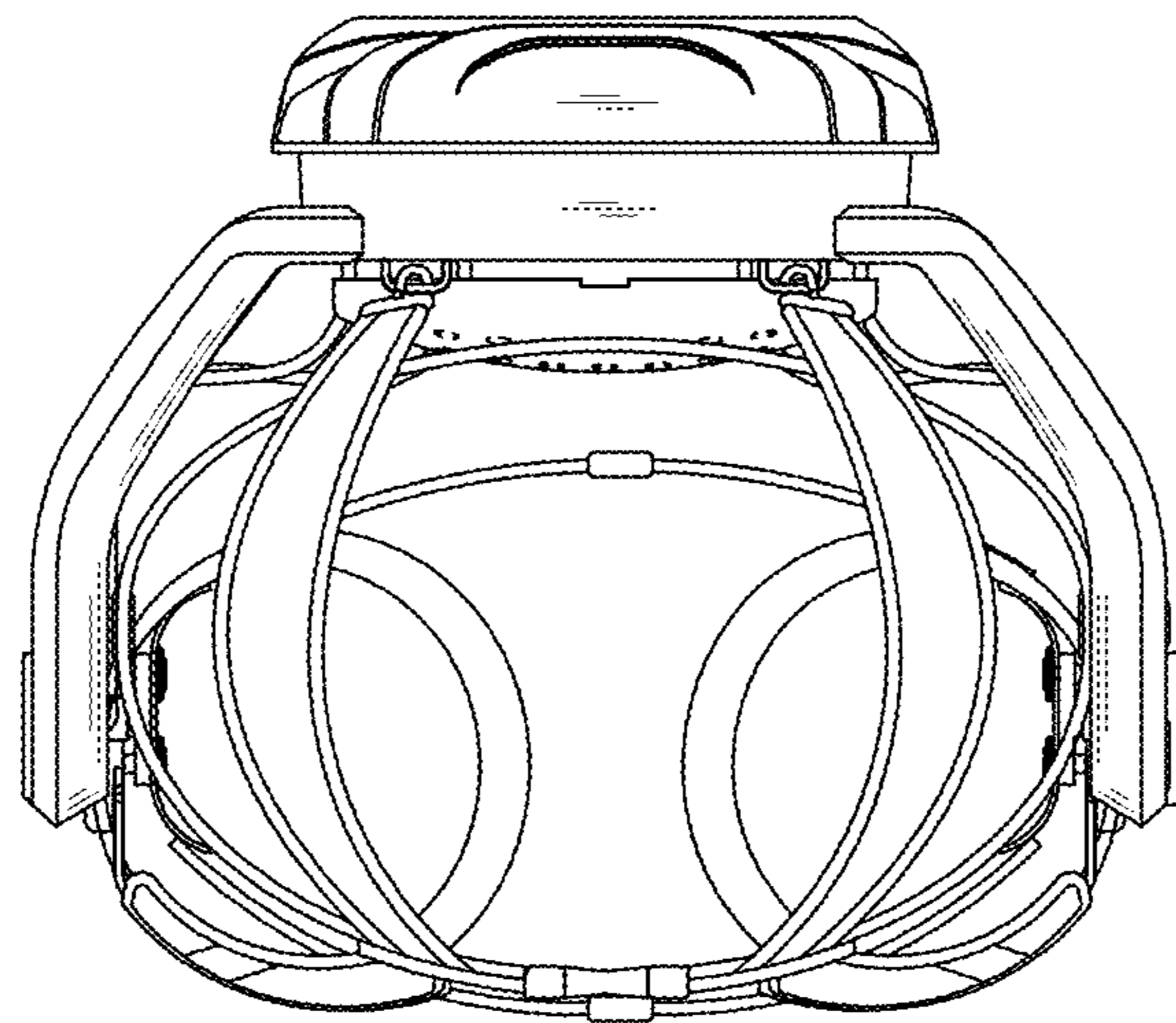


FIG. 4

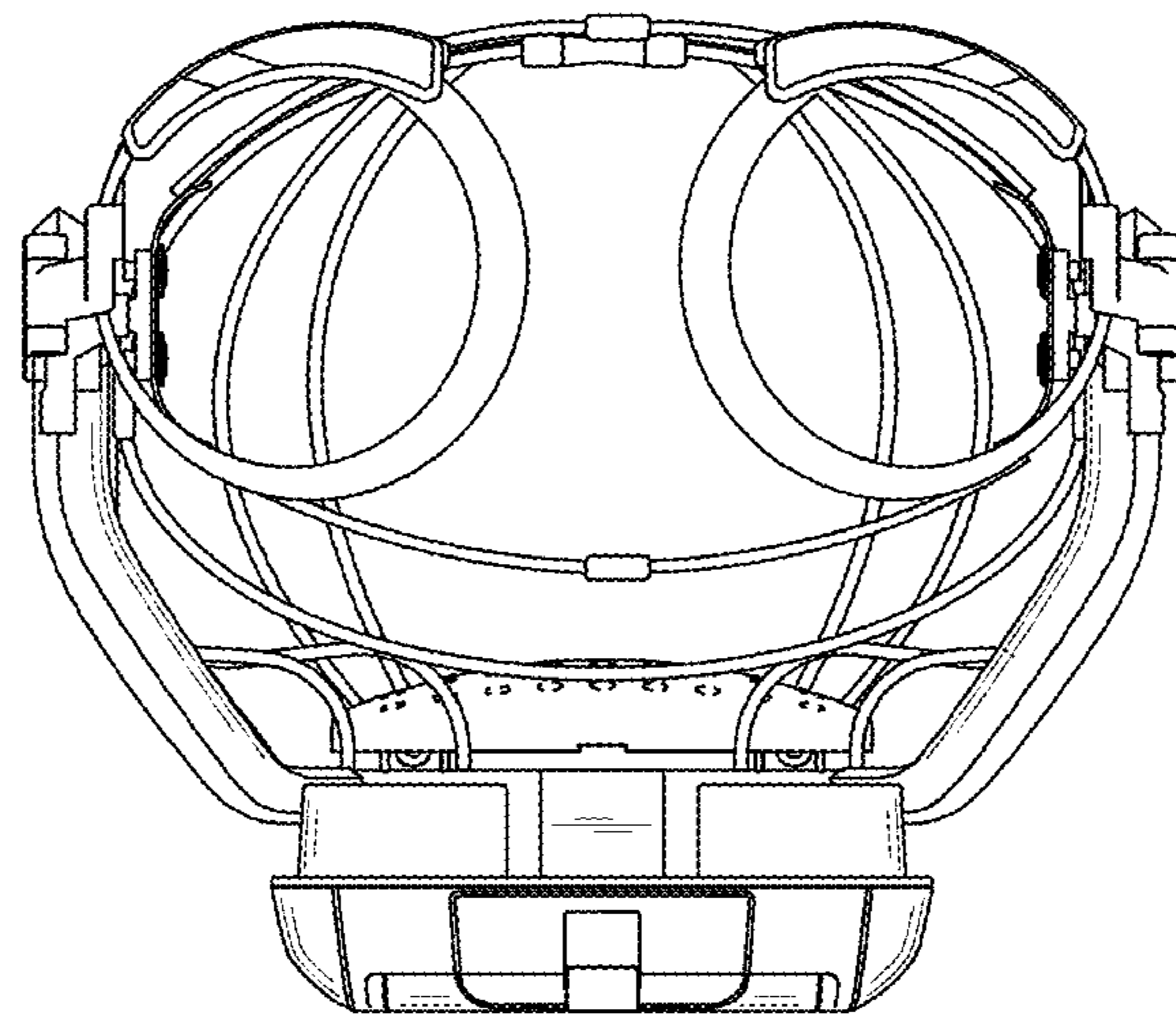


FIG. 5

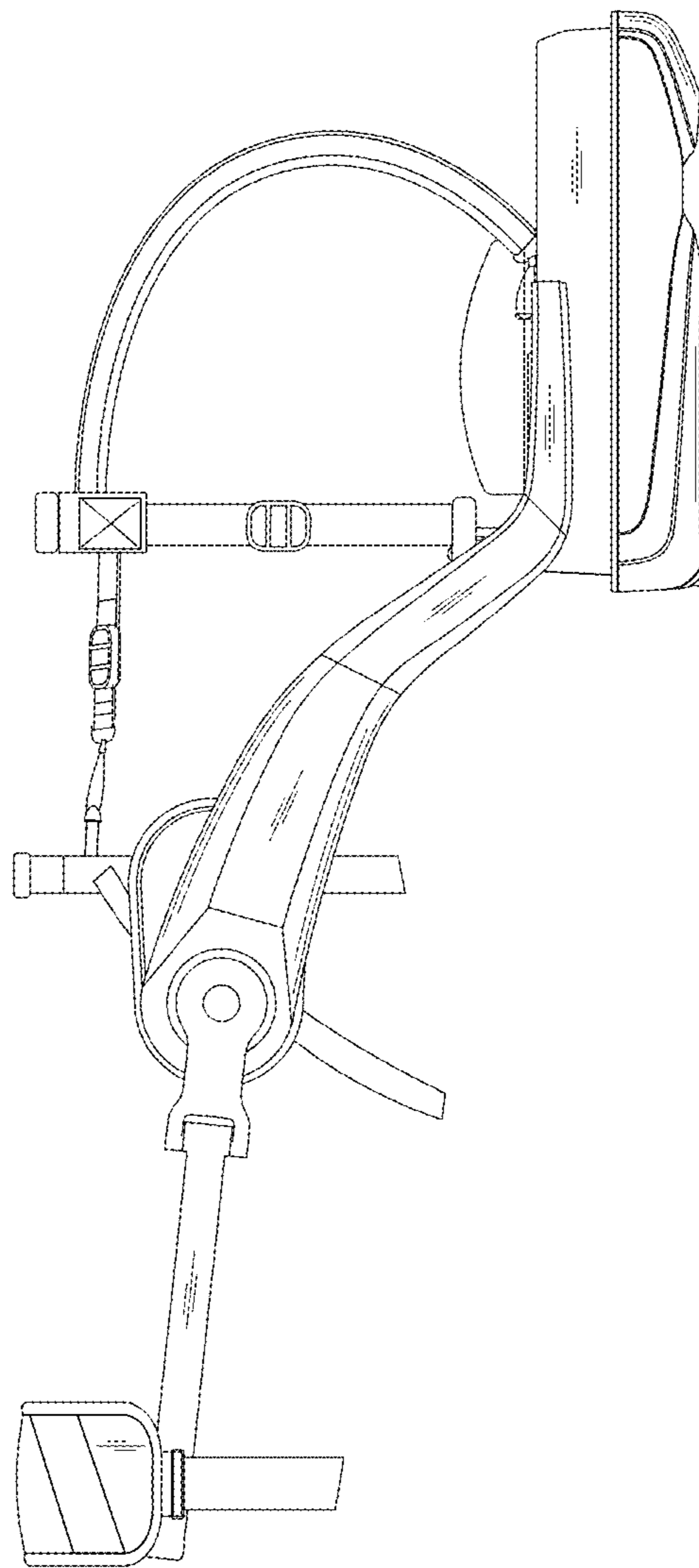


FIG. 6

