

US00D947386S

(12) **United States Design Patent** (10) **Patent No.:** **US D947,386 S**
Lopez (45) **Date of Patent:** **** Mar. 29, 2022**

(54) **PERITONEAL DIALYSIS TRANSFER SET HOLDER**

(71) Applicant: **Eleazar Lopez**, Irvine, CA (US)

(72) Inventor: **Eleazar Lopez**, Irvine, CA (US)

(**) Term: **15 Years**

(21) Appl. No.: **29/747,108**

(22) Filed: **Aug. 19, 2020**

(51) **LOC (13) Cl.** **24-01**

(52) **U.S. Cl.**
USPC **D24/169**

(58) **Field of Classification Search**
USPC D24/107, 169, 186, 216, 223, 227, 231,
D24/232, 108, 111, 128; D10/81
CPC A61M 1/16; A61M 1/28; A61M 1/284;
A61M 2209/082; A61M 2209/084; B01D
61/28; B01D 61/30; B01D 2201/4023
See application file for complete search history.

(56) **References Cited**

U.S. PATENT DOCUMENTS

D311,325 S *	10/1990	Sullivan	248/65
D317,157 S *	5/1991	Jondelius	D8/373
D434,495 S *	11/2000	Whalen	D24/128
6,277,277 B1 *	8/2001	Jacobi	A61M 1/16 210/232
D584,827 S *	1/2009	Potter	D24/216
D611,152 S *	3/2010	Updyke	D24/169
D632,802 S *	2/2011	Salinas	D24/224
D640,125 S *	6/2011	Rosenkranz	D8/373
D743,572 S *	11/2015	Sharpe	D24/227
D746,470 S *	12/2015	Kobayashi	D24/169
2020/0078716 A1 *	3/2020	Volker	B01D 61/30

OTHER PUBLICATIONS

Amazon.com: Peritoneal dialysis Transfer set Holder. Customized for smaller PD Transfer Set. Patent Pending. (White) Product available: Jan. 28, 2020. Retrieved on Sep. 19, 2021 from website: <https://www.amazon.com/Peritoneal-dialysis-Transfer-Holder-Fresenius/dp/B0849262KX?th=1>.*

MandMcares. Peritoneal Dialysis Transfer Set Holder with Adjustable Necklace—cus—MandM cares. Customer reviewed on Mar. 3, 2020. Retrieved on Sep. 19, 2021 from website: <https://mandmcares.com/products/fresenius-peritoneal-dialysis-transfer-set-holder-with-adjustable-necklace>.*

* cited by examiner

Primary Examiner — Anhdao Doan

(74) Attorney, Agent, or Firm — Innovent Law, P.C.; Karima Gulick

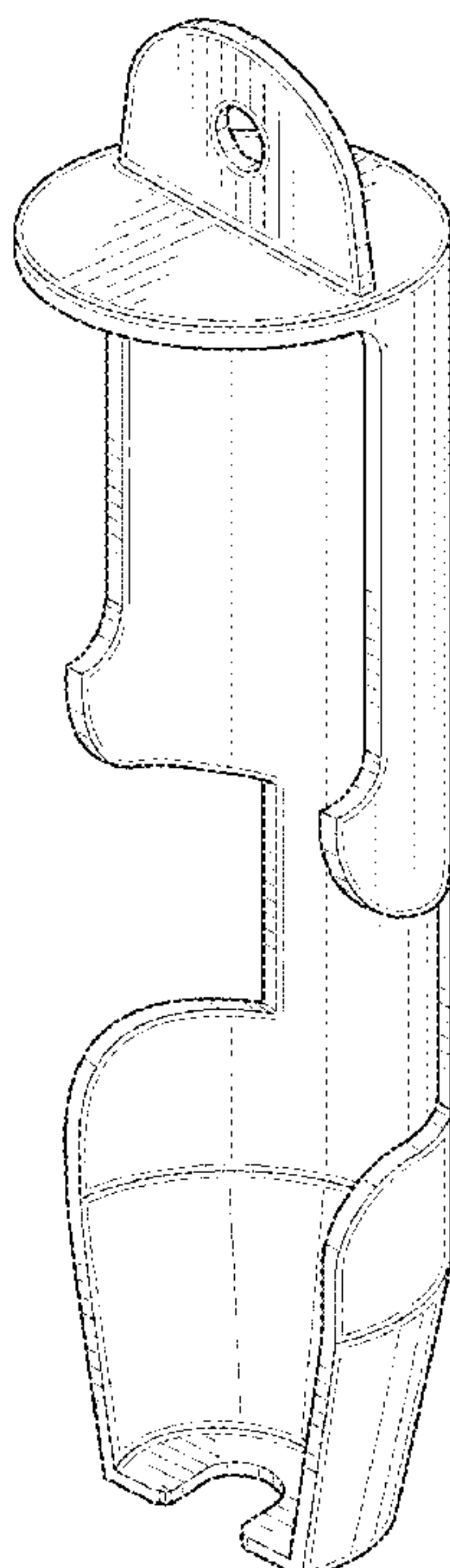
(57) **CLAIM**

The ornamental design for a peritoneal dialysis transfer set holder, as shown and described.

DESCRIPTION

FIG. 1 is a perspective front view of a peritoneal dialysis transfer set holder;
FIG. 2 is a front view thereof;
FIG. 3 is a rear view thereof;
FIG. 4 is a left side view thereof;
FIG. 5 is a right side view thereof;
FIG. 6 is a top plan view thereof; and,
FIG. 7 is a bottom plan view thereof.

1 Claim, 3 Drawing Sheets



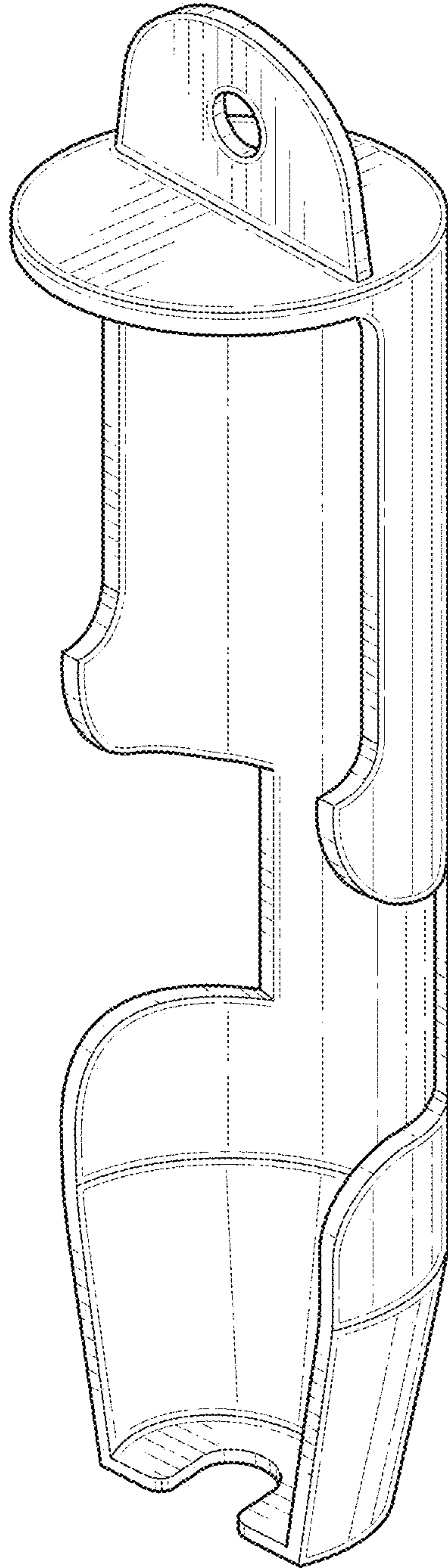


FIG. 1

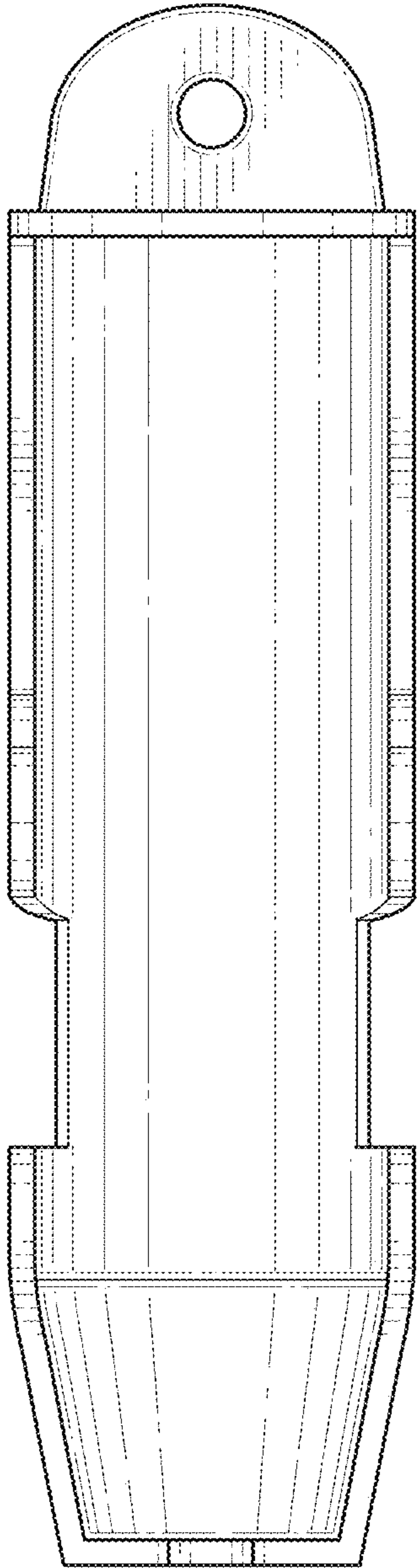


FIG. 2

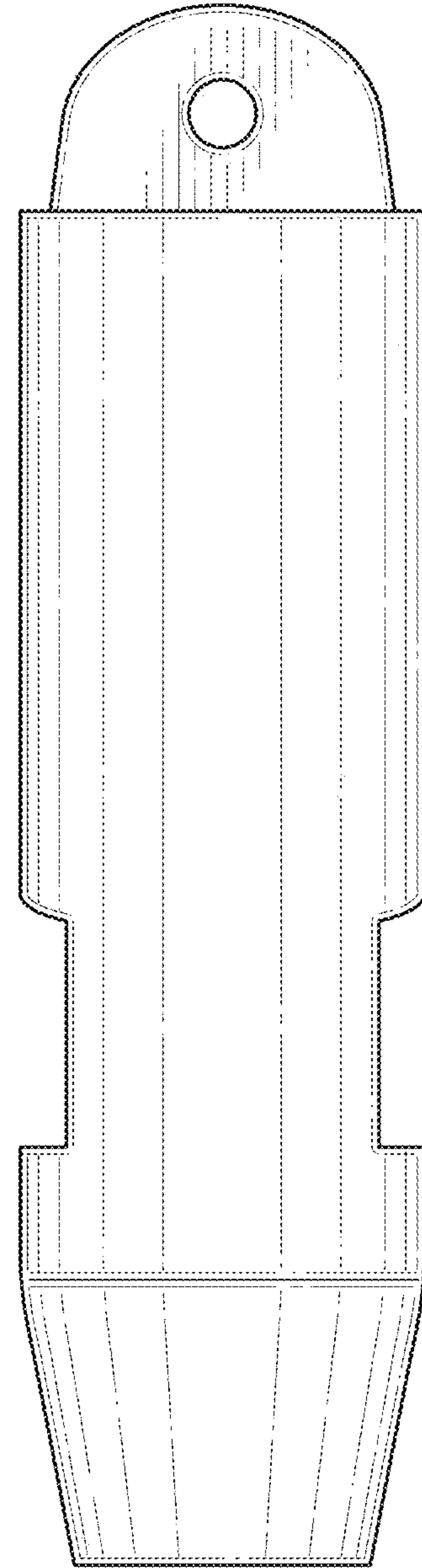


FIG. 3

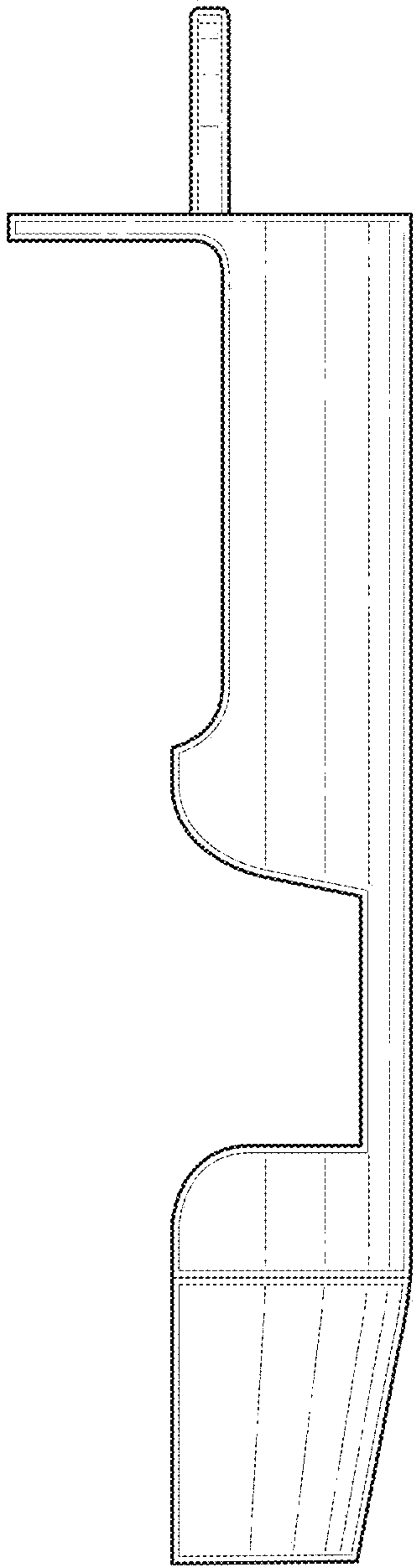


FIG. 4

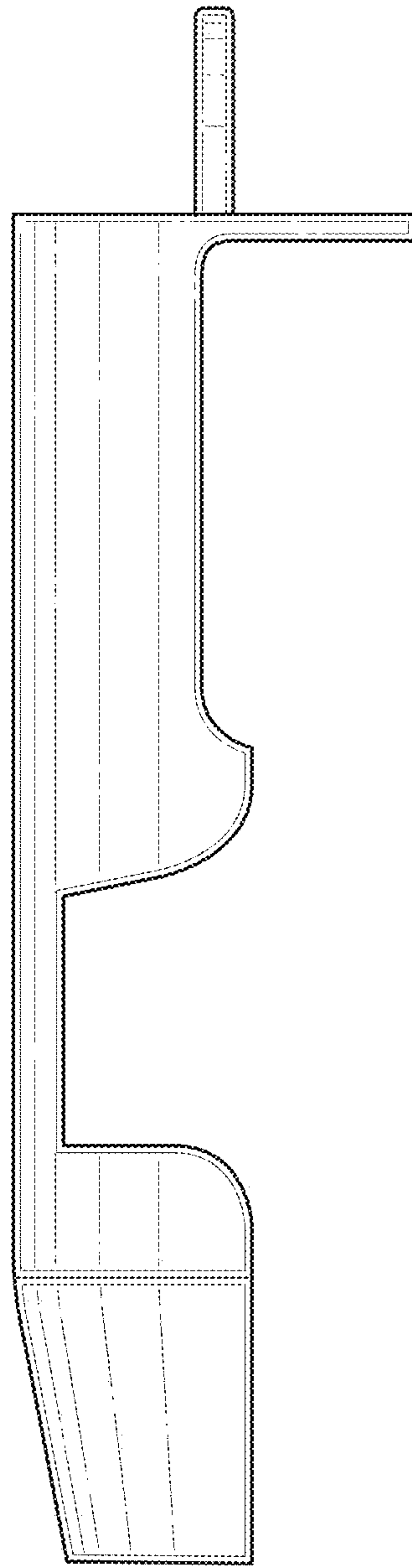


FIG. 5

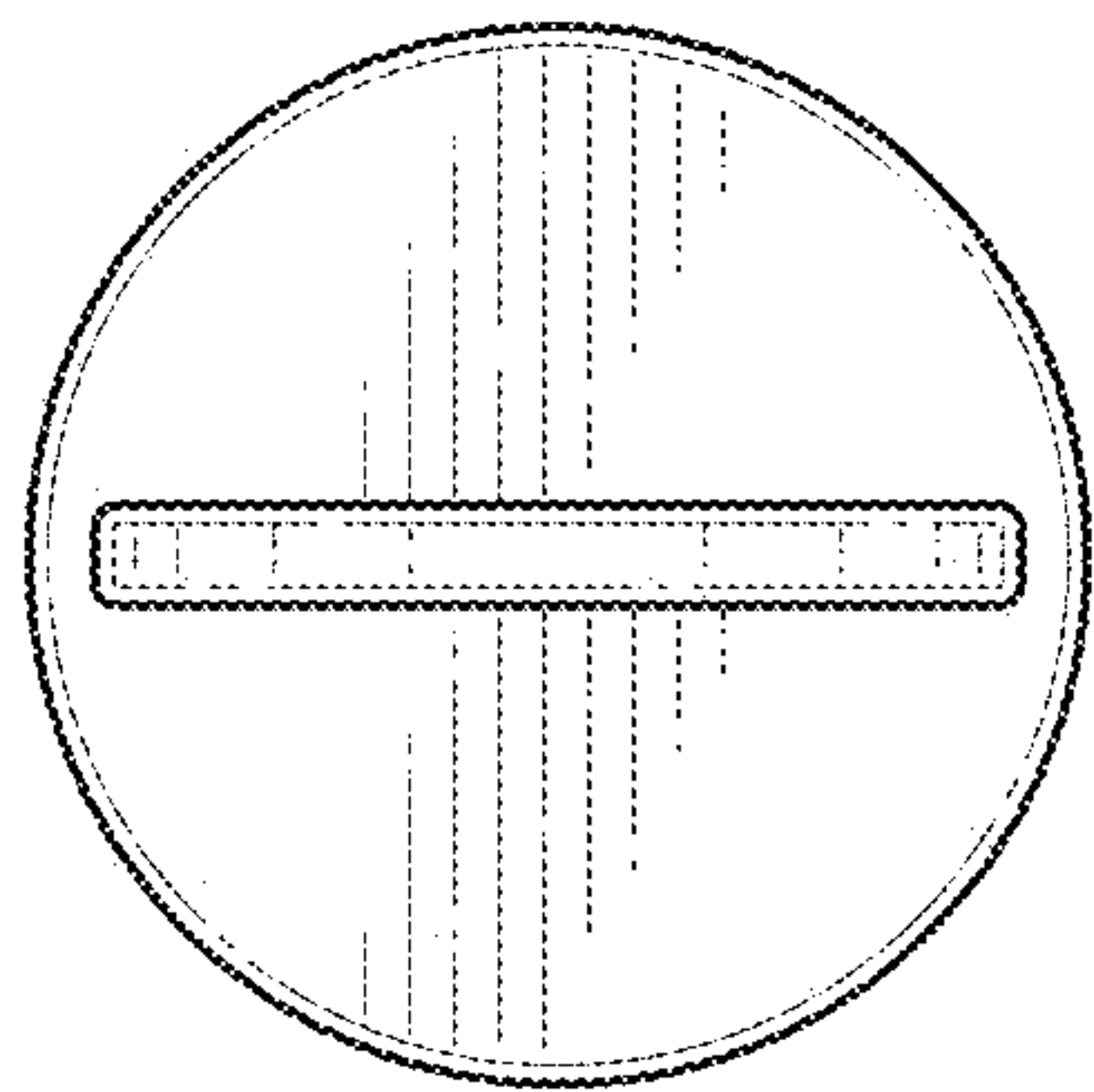


FIG. 6

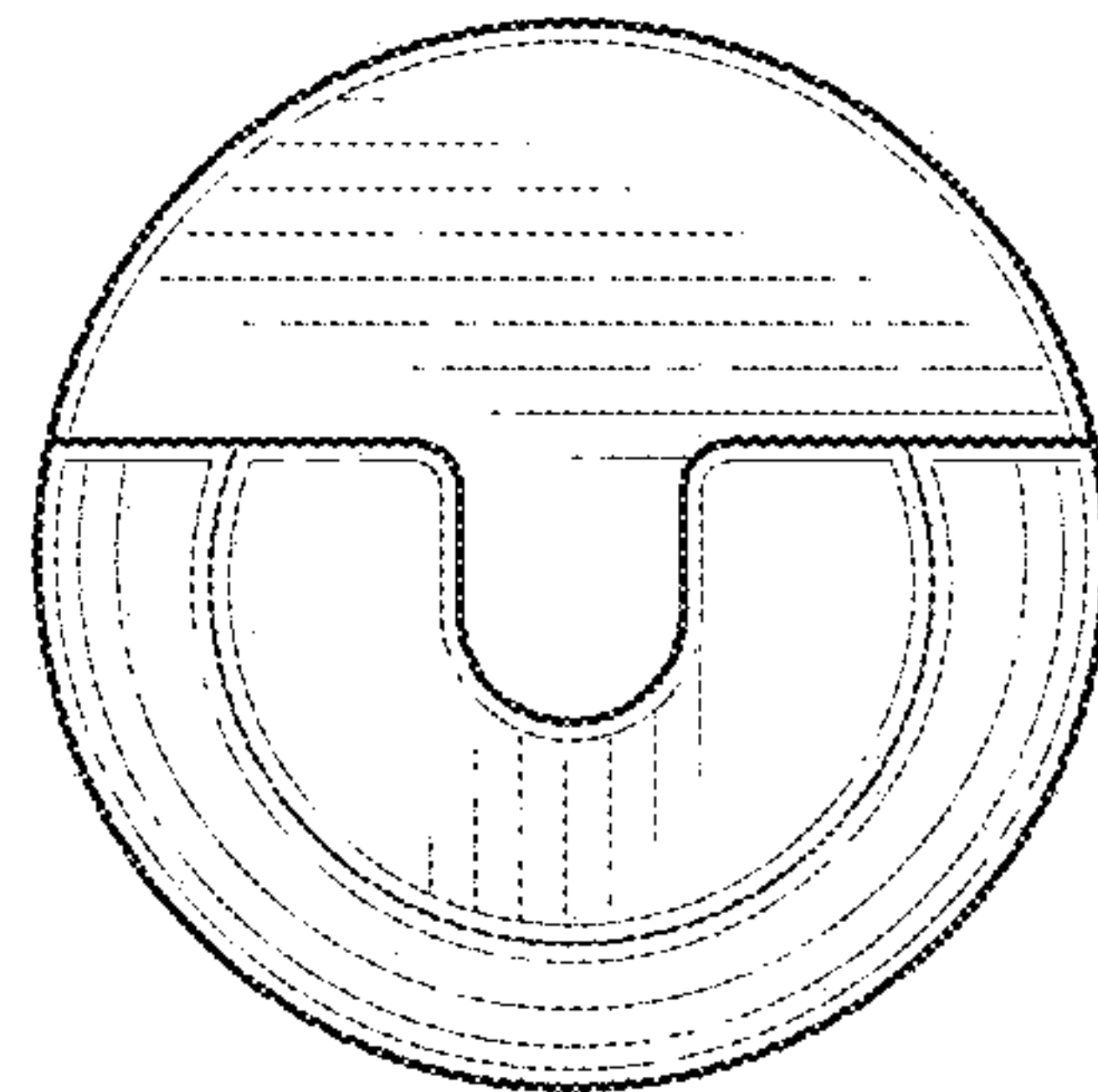


FIG. 7