



US00D947368S

(12) **United States Design Patent** (10) **Patent No.:** **US D947,368 S**  
**Yuan et al.** (45) **Date of Patent:** **\*\* Mar. 29, 2022**

(54) **ORAL IRRIGATOR**

FOREIGN PATENT DOCUMENTS

(71) Applicant: **XIAMEN JIEBOYA TECHNOLOGY CO., LTD.**, Fujian (CN)

CN 305058100 \* 3/2019  
CN 306006496 \* 8/2020  
CN 306006497 \* 8/2020  
CN 306014742 \* 8/2020  
CN 306640757 \* 6/2021

(72) Inventors: **Mu Yuan**, Fujian (CN); **Zhenlin Jiang**, Fujian (CN)

\* cited by examiner

(73) Assignee: **XIAMEN JIEBOYA TECHNOLOGY CO., LTD.**, Fujian (CN)

*Primary Examiner* — Eric L Goodman

*Assistant Examiner* — Lee D. Starr

(\*\*) Term: **15 Years**

(74) *Attorney, Agent, or Firm* — JCIP Global Inc.

(21) Appl. No.: **29/734,336**

(22) Filed: **May 12, 2020**

(30) **Foreign Application Priority Data**

Feb. 16, 2020 (CN) ..... 202030052457.3

(51) **LOC (13) Cl.** ..... **28-03**

(52) **U.S. Cl.**  
USPC ..... **D24/111**

(58) **Field of Classification Search**

USPC ..... D24/111, 108, 112–115, 117, 152, 176;  
D4/101, 102, 110, 111  
CPC ... A61C 15/046; A61C 15/047; A61C 15/048;  
A61C 17/00; A61C 17/005; A61C 17/02;  
A61C 17/0202; A61C 17/0205; A61C  
17/0211; A61C 17/16; A61C 17/22; A61C  
17/222; A61C 17/225; A61C 17/227;  
A61C 17/28; A61C 17/32; A61C 17/34;  
A61C 17/36

See application file for complete search history.

(56) **References Cited**

U.S. PATENT DOCUMENTS

D373,631 S \* 9/1996 Maeda ..... D24/111  
D909,568 S \* 2/2021 Xia ..... D24/111  
D932,005 S \* 9/2021 Li ..... D24/111  
2021/0275278 A1 \* 9/2021 Yuan ..... A61C 17/0202

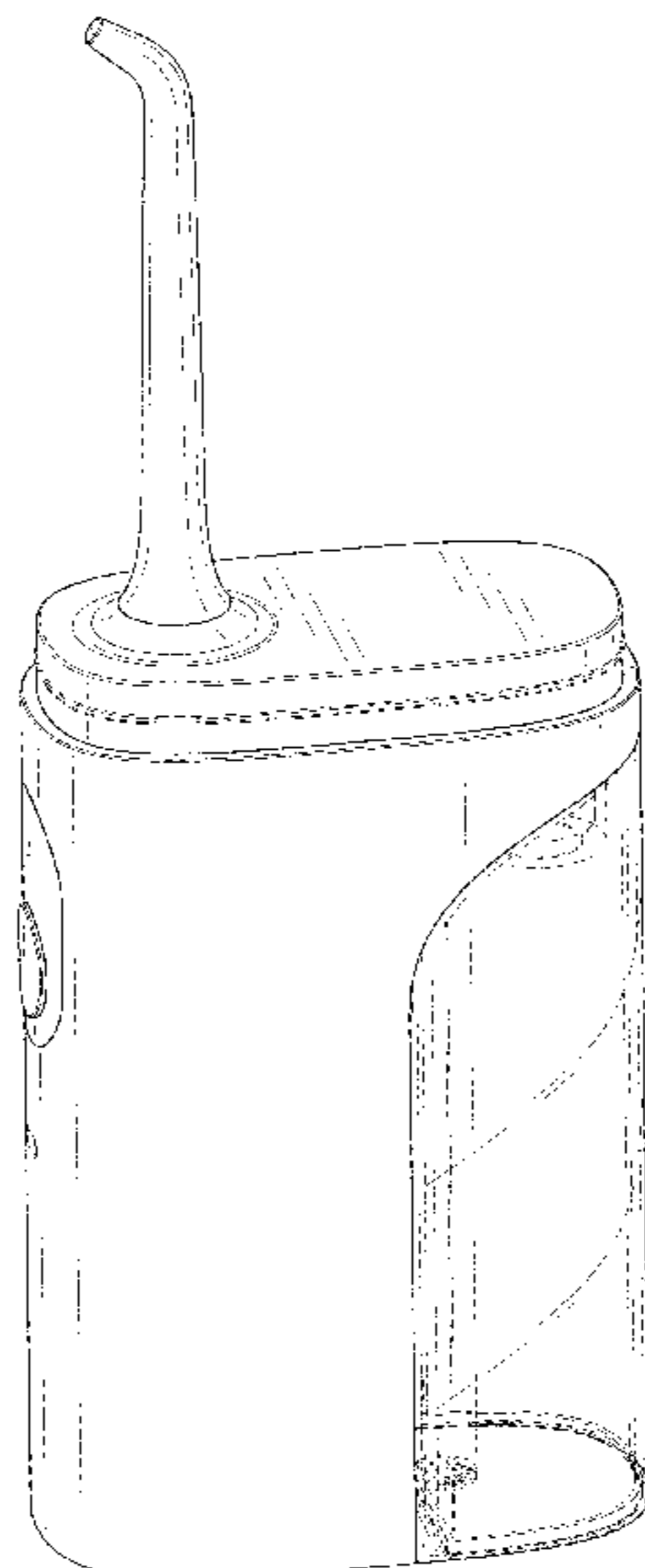
(57) **CLAIM**

The ornamental design for an oral irrigator, as shown and described.

**DESCRIPTION**

FIG. 1 is a perspective view of the oral irrigator showing our new design;  
FIG. 2 is a front view thereof;  
FIG. 3 is a rear view thereof;  
FIG. 4 is a left view thereof;  
FIG. 5 is a right view thereof;  
FIG. 6 is a top view thereof;  
FIG. 7 is a bottom view thereof; and,  
FIG. 8 is another perspective view thereof with a lid shown for environment, wherein an irrigator tip of the oral irrigator is accommodated in a reservoir of the oral irrigator.  
The broken line showing of the lid in FIG. 8 illustrates environment and forms no part of the claimed design. All other broken lines illustrate portions of the oral irrigator that form no part of the claimed design.

**1 Claim, 7 Drawing Sheets**



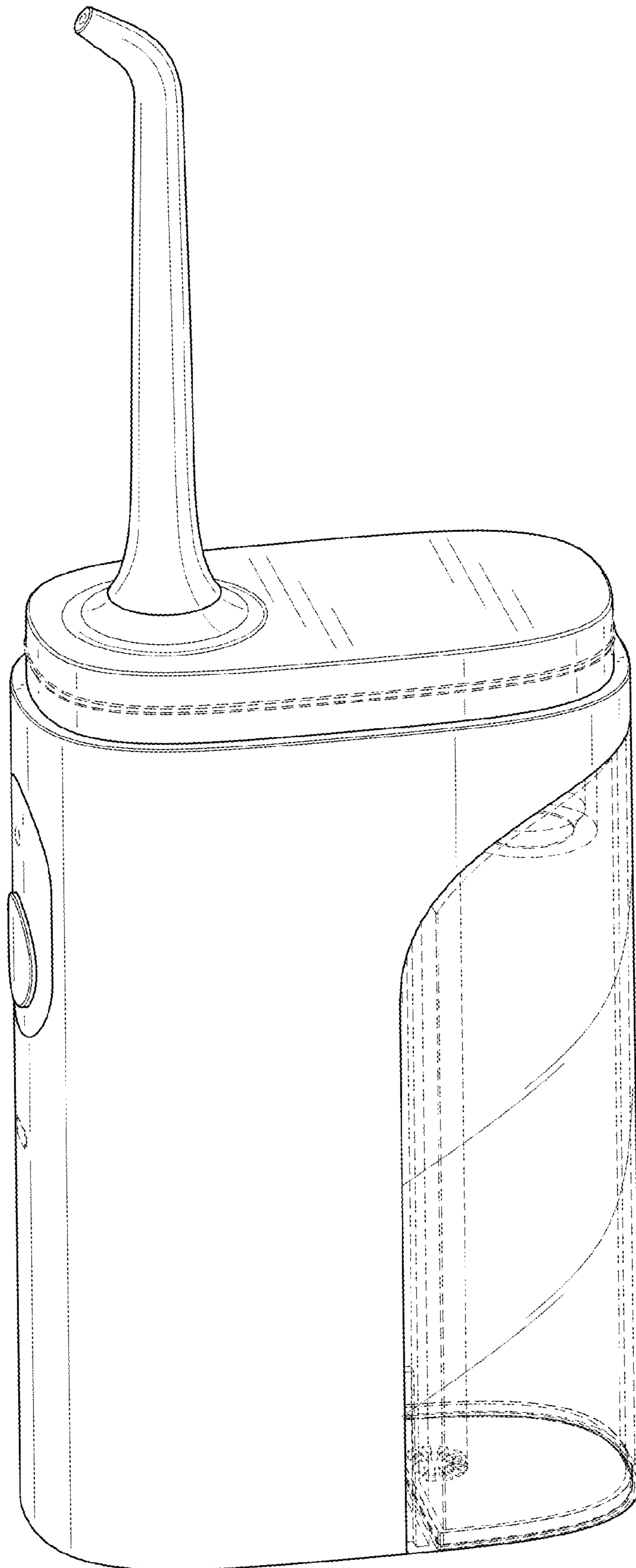


FIG. 1

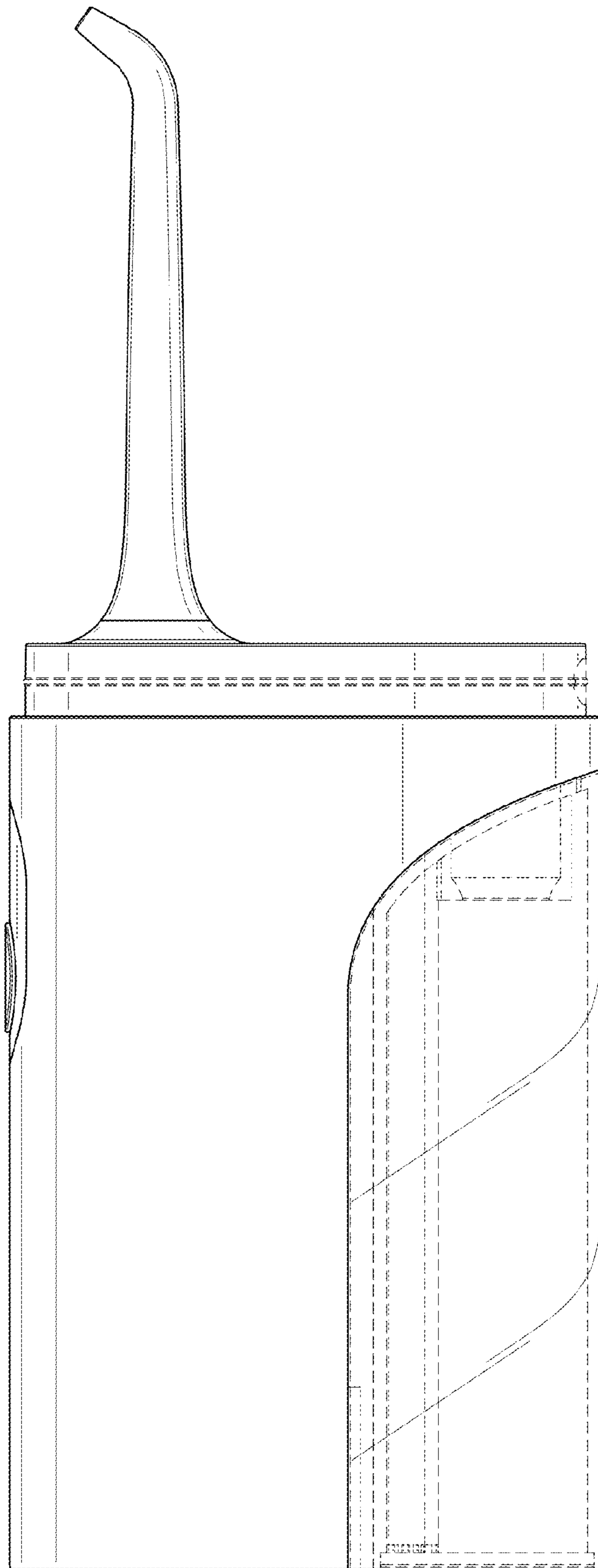


FIG. 2

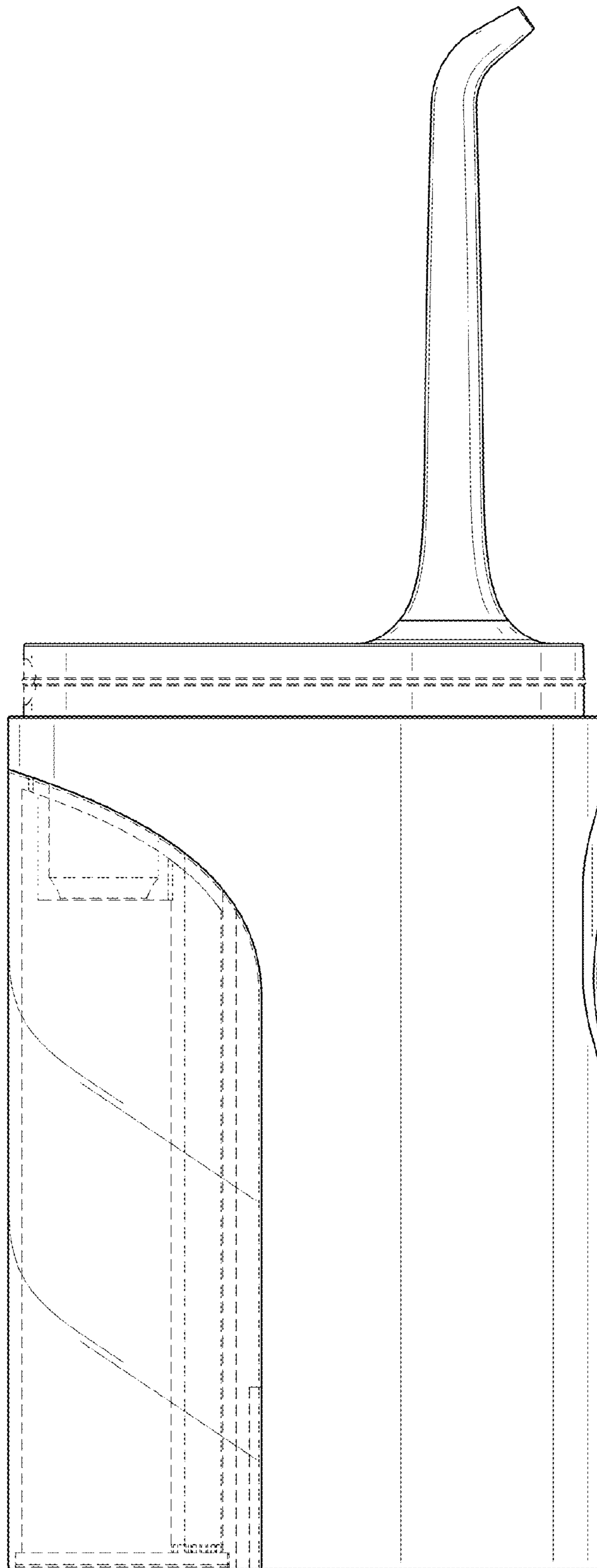


FIG. 3

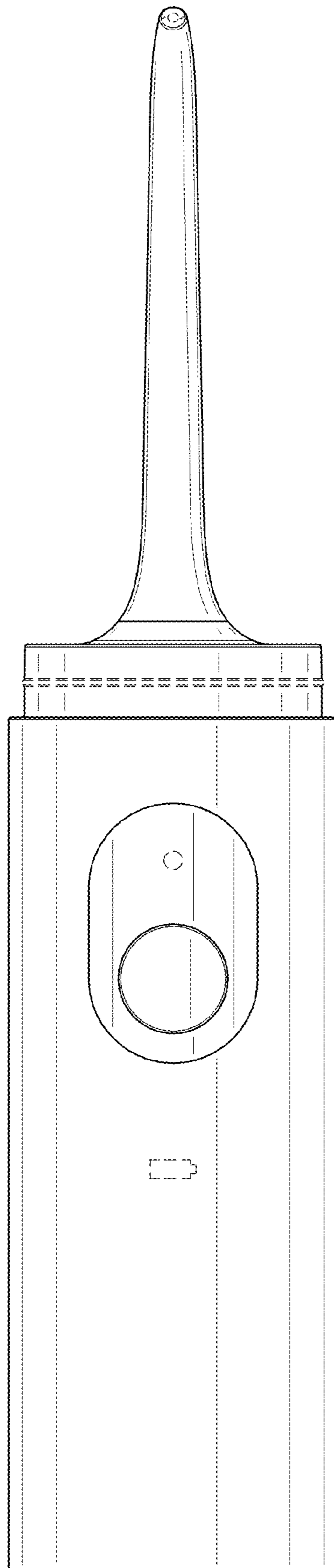


FIG. 4

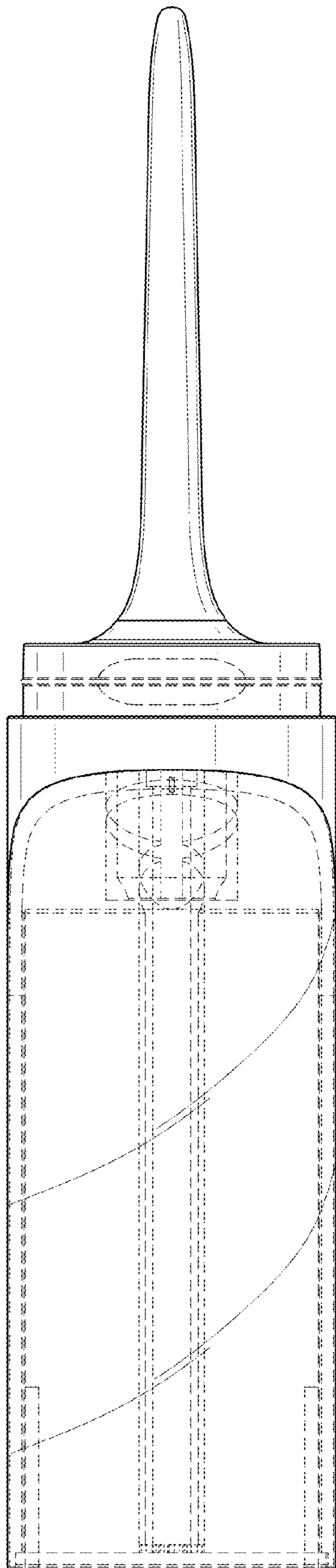


FIG. 5



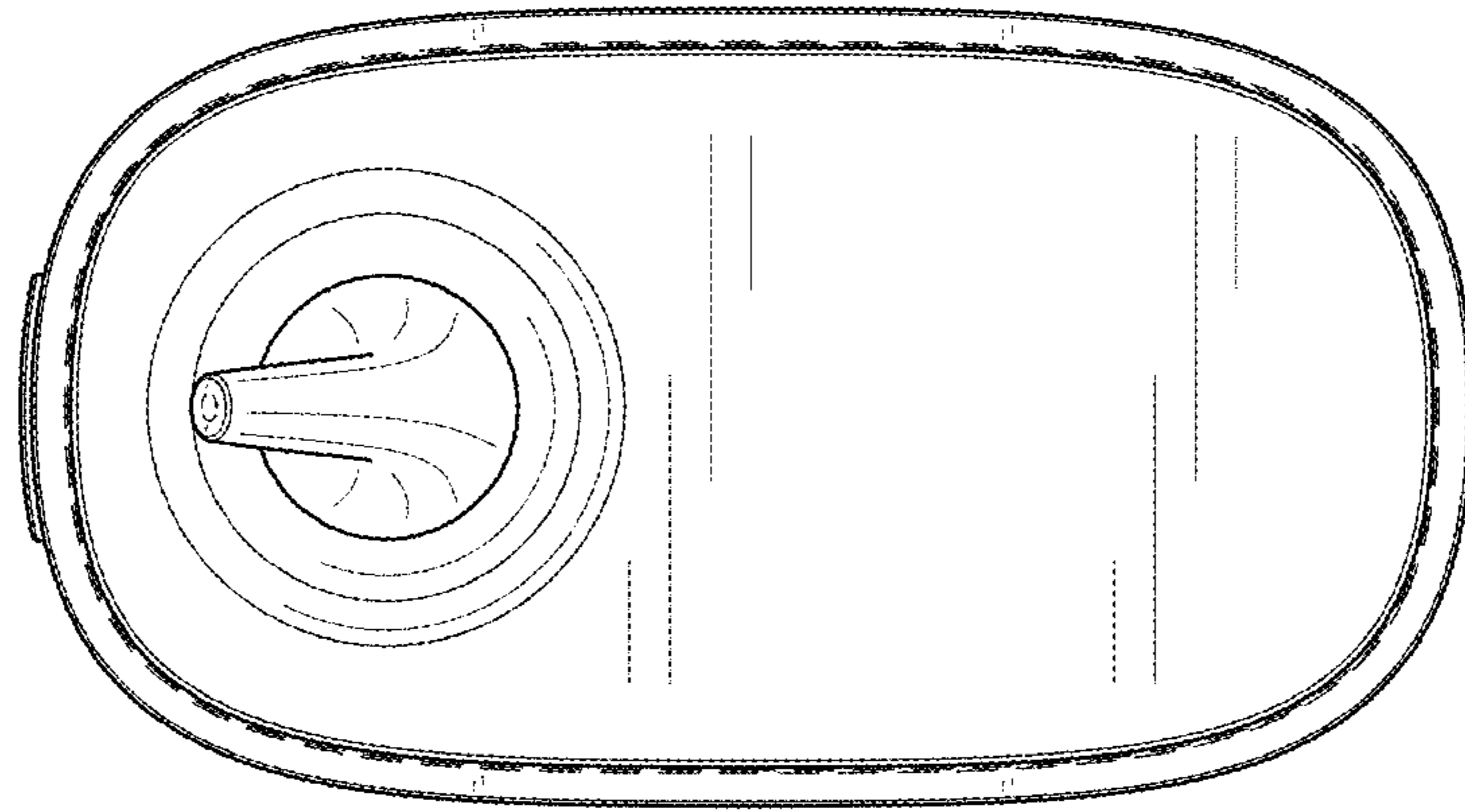


FIG. 6

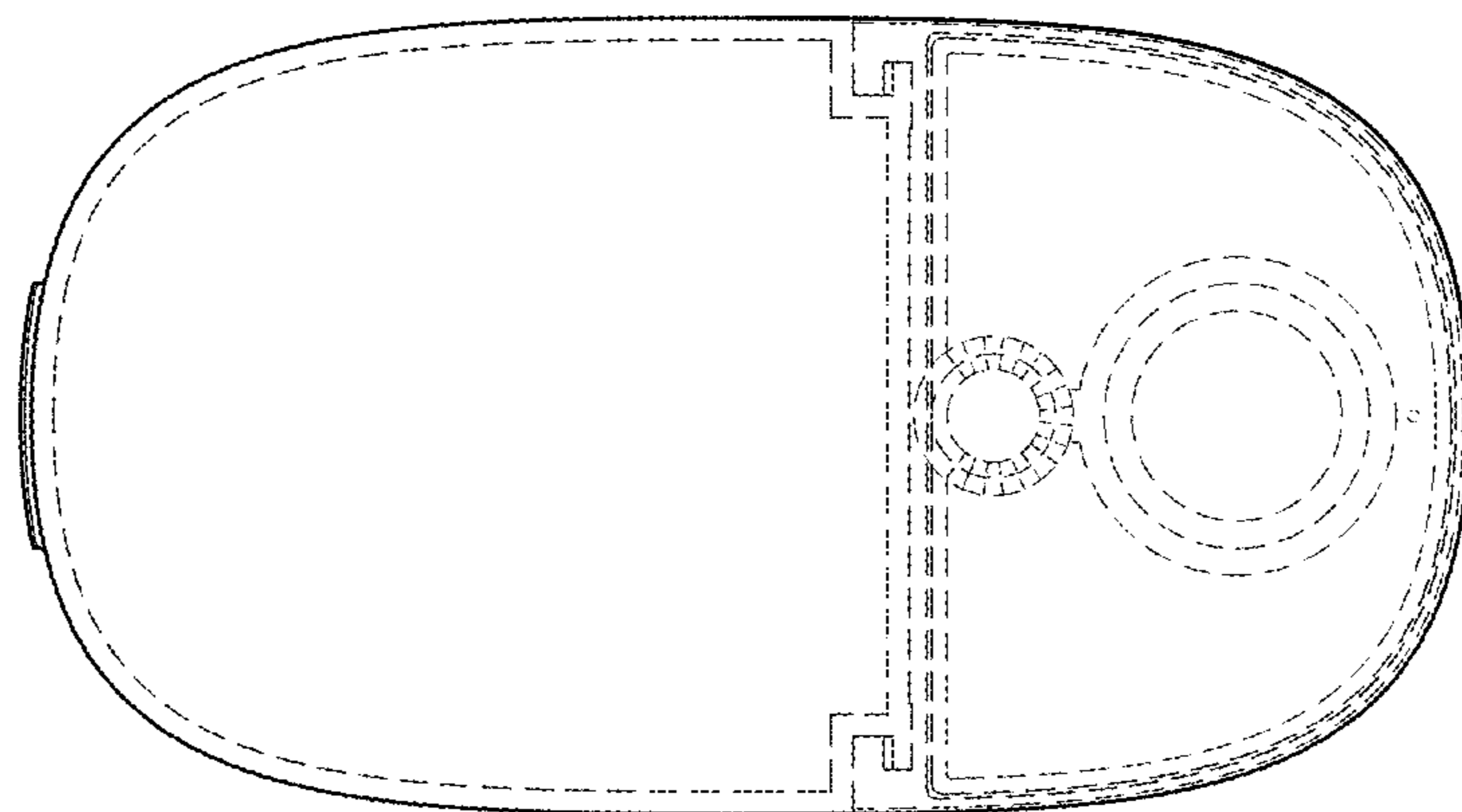


FIG. 7

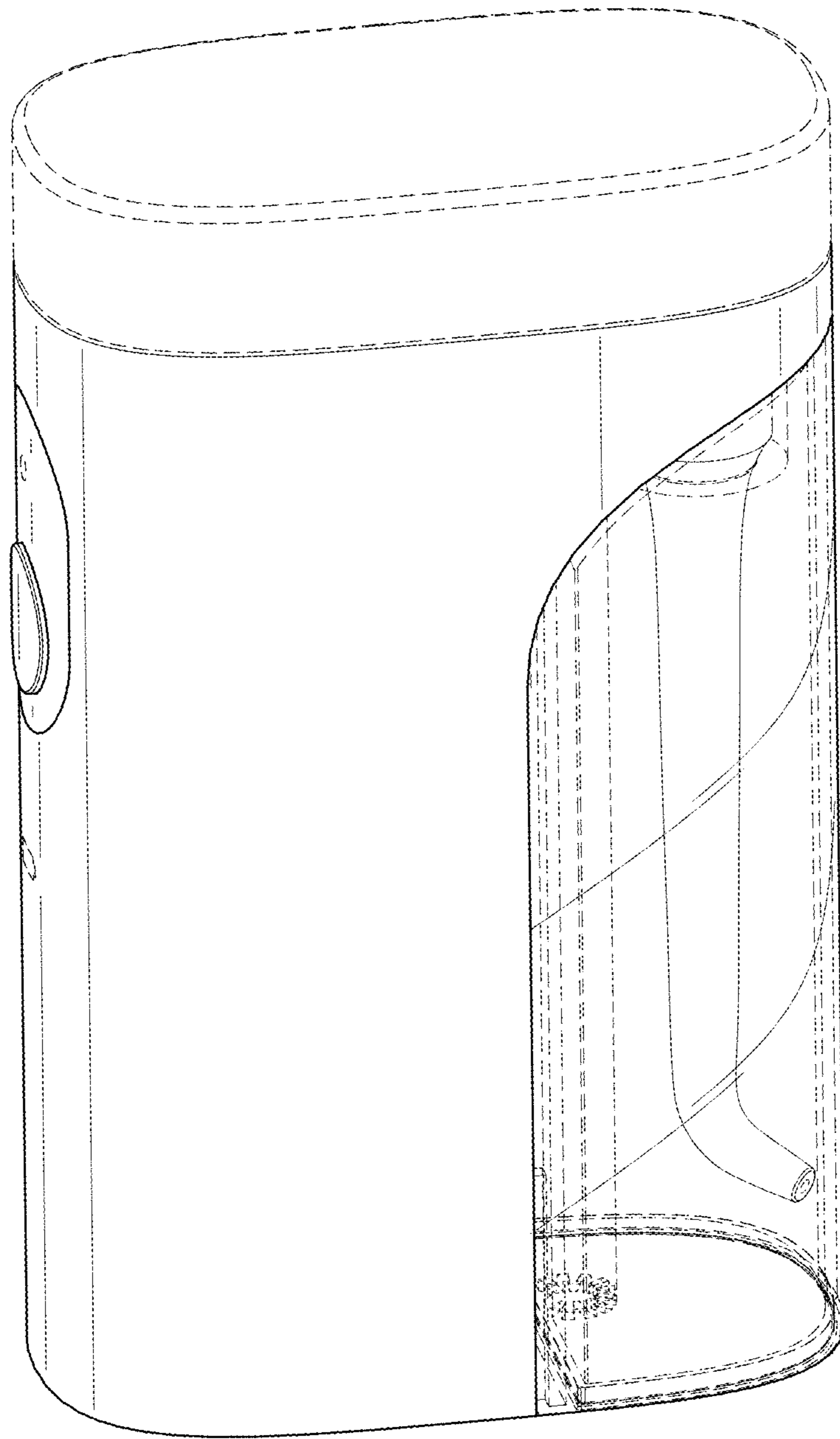


FIG. 8