

US00D947367S

(12) **United States Design Patent**  
**Senff et al.**

(10) **Patent No.:** **US D947,367 S**  
(45) **Date of Patent:** **\*\* \*Mar. 29, 2022**

- (54) **WATER FLOSSER**
- (71) Applicant: **WATER PIK, INC.**, Fort Collins, CO (US)
- (72) Inventors: **Oscar C. Senff**, Broomfield, CO (US);  
**Jeffrey Ladwig**, Seattle, WA (US);  
**Carson Massie**, Seattle, WA (US);  
**Adam Weisgerber**, Shoreline, WA (US)
- (73) Assignee: **WATER PIK, INC.**, Fort Collins, CO (US)
- (\*) Notice: This patent is subject to a terminal disclaimer.
- (\*\*) Term: **15 Years**
- (21) Appl. No.: **29/730,999**
- (22) Filed: **Apr. 10, 2020**
- (51) **LOC (13) Cl.** ..... **24-02**
- (52) **U.S. Cl.**  
USPC ..... **D24/111**
- (58) **Field of Classification Search**  
USPC ..... D24/111, 108, 112–115, 117, 152, 176;  
D4/100, 101  
CPC ... A61C 15/046; A61C 15/047; A61C 15/048;  
A61C 17/00; A61C 17/005; A61C 17/02;  
A61C 17/0202; A61C 17/0205; A61C  
17/0211; A61C 17/16; A61C 17/22; A61C  
17/222; A61C 17/225; A61C 17/227;  
A61C 17/28; A61C 17/32; A61C 17/34;  
A61C 17/36  
See application file for complete search history.

D718,855 S 12/2014 Kim et al.  
D725,770 S 3/2015 Kim et al.  
D740,936 S 10/2015 Kim et al.  
D786,422 S 5/2017 Au et al.  
9,642,677 B2 5/2017 Luetngen et al.  
(Continued)

**FOREIGN PATENT DOCUMENTS**

AU 201914746 11/2019  
AU 201916168 11/2019  
(Continued)

**OTHER PUBLICATIONS**

Waterpik ION Professional Cordless Water Flosser by Waterpik. Amazon. Oldest review date: Apr. 5, 2021. Retrieval date: Apr. 30, 2021. Retrieved from internet: <https://www.amazon.com/Waterpik-Professional-Cordless-Rechargeable-Portable/dp/B08V1LS3FZ> (Year: 2021).\*

(Continued)

*Primary Examiner* — Lilyana Bekic  
*Assistant Examiner* — Lee D. Starr  
(74) *Attorney, Agent, or Firm* — Dorsey & Whitney LLP

(57) **CLAIM**

We claim the ornamental design for a water flosser, as shown and described.

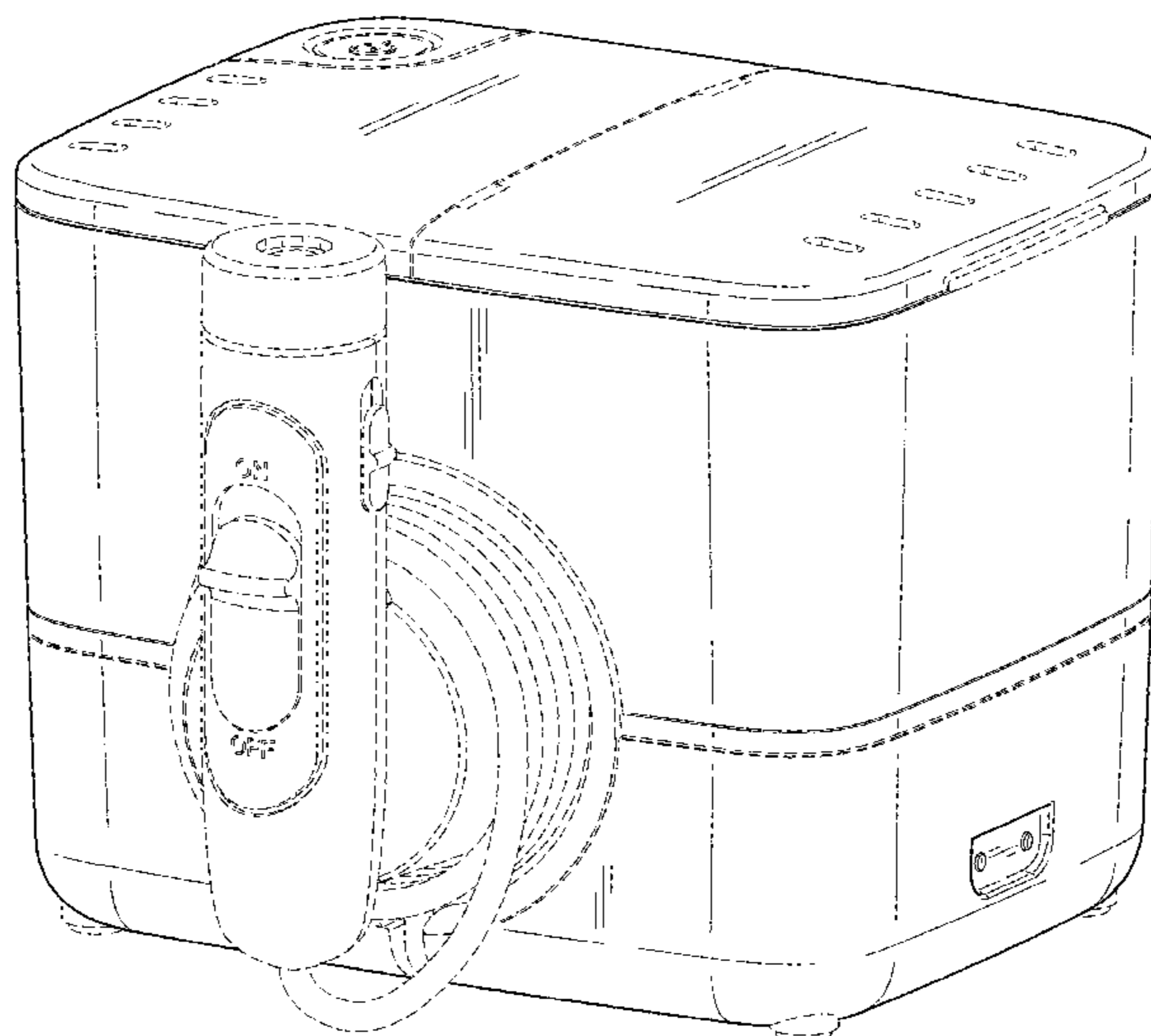
**DESCRIPTION**

FIG. 1 is a front isometric view of a water flosser.  
FIG. 2 is a front elevation view thereof.  
FIG. 3 is a rear elevation view thereof.  
FIG. 4 is a left side elevation view thereof.  
FIG. 5 is a right side elevation view thereof.  
FIG. 6 is a top plan view thereof; and,  
FIG. 7 is a bottom plan view thereof.  
The broken lines illustrate portions of the water flosser that form no part of the claimed design.

**1 Claim, 7 Drawing Sheets**

(56) **References Cited**  
**U.S. PATENT DOCUMENTS**

D220,334 S 3/1971 Mackay et al.  
D565,175 S 3/2008 Boyd et al.  
D714,929 S 10/2014 Kim et al.  
8,888,727 B2 11/2014 Boyd et al.



(56)

References Cited

U.S. PATENT DOCUMENTS

D788,907 S 6/2017 Kim et al.  
 D794,773 S 8/2017 Senff et al.  
 D798,440 S 9/2017 Kim et al.  
 D809,650 S 2/2018 Kim et al.  
 9,980,793 B2 5/2018 Wanger et al.  
 D822,196 S 7/2018 Kim  
 10,016,254 B2 7/2018 Luetgen et al.  
 D832,418 S 10/2018 Porter et al.  
 D832,419 S 10/2018 Porter et al.  
 D832,420 S 10/2018 Porter et al.  
 D833,000 S \* 11/2018 Porter ..... D24/111  
 D833,600 S 11/2018 Porter et al.  
 D833,601 S 11/2018 Massie et al.  
 D834,180 S 11/2018 Porter et al.  
 D839,409 S 1/2019 Massie et al.  
 D840,022 S \* 2/2019 Porter ..... D24/111  
 10,258,442 B2 4/2019 Snyder et al.  
 D857,881 S 8/2019 Massie et al.  
 D858,750 S 9/2019 Porter et al.  
 D859,644 S 9/2019 Porter et al.  
 D866,750 S 11/2019 Yan et al.  
 D867,579 S 11/2019 Porter et al.  
 D867,580 S 11/2019 Boyd et al.  
 D872,855 S 1/2020 Porter et al.  
 D889,636 S \* 7/2020 Senff ..... D24/111  
 D893,017 S 8/2020 Porter et al.  
 D912,241 S \* 3/2021 Senff ..... D24/111

D913,485 S \* 3/2021 Senff ..... D24/111  
 10,959,931 B2 \* 3/2021 Snyder ..... A61K 8/361  
 2015/0173850 A1 6/2015 Garrigues et al.  
 2018/0168784 A1 6/2018 Wagner et al.  
 2018/0168785 A1 6/2018 Wagner et al.  
 2020/0179088 A1 6/2020 Yuan et al.  
 2020/0268494 A1 \* 8/2020 Senff ..... A61C 17/0202

FOREIGN PATENT DOCUMENTS

CN ZL202030087160.0 6/2020  
 CN ZL202030087037.9 7/2020  
 EM 006730800-0006 \* 8/2019  
 JP 1664832 S 7/2020  
 KR 30-1057551-0001 5/2020  
 KR 30-1057551-0003 5/2020  
 KR 30-1057551-0006 5/2020  
 KR 3010575510001 \* 5/2020  
 KR 30-1057551-0004 6/2020  
 KR 30-1057551-0005 6/2020

OTHER PUBLICATIONS

Waterpik Water Flosser Models WF-11 | WF-12 Instruction Manual by Waterpik. Waterpik.com. Copyright year: 2020. Retrieval date : May 3, 2021. Retrieved from internet: <https://www.waterpik.com/oral-health/pdfs/ion-water-flosser-instruction-manual.pdf> (Year: 2020).\*

\* cited by examiner

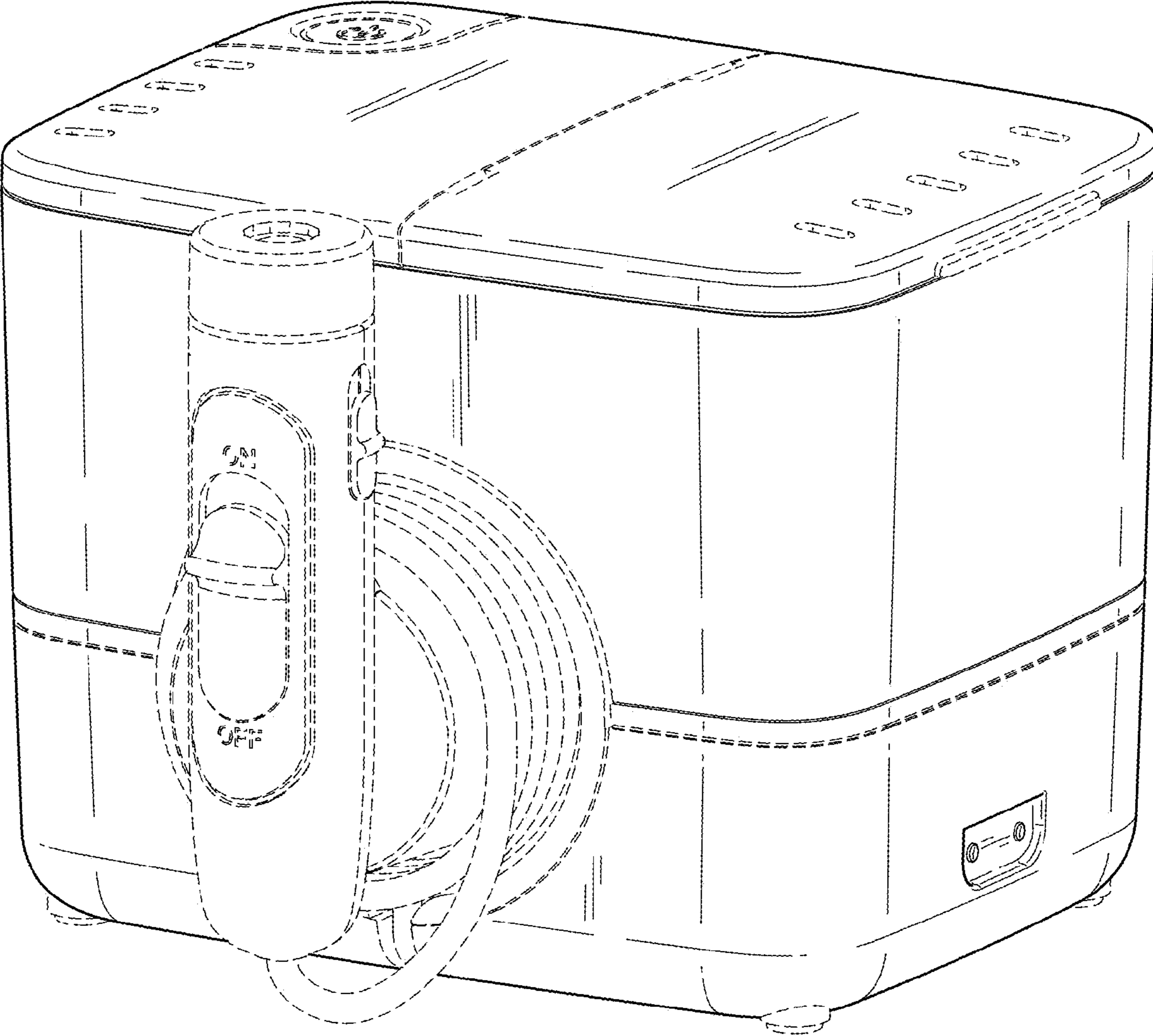


FIG. 1

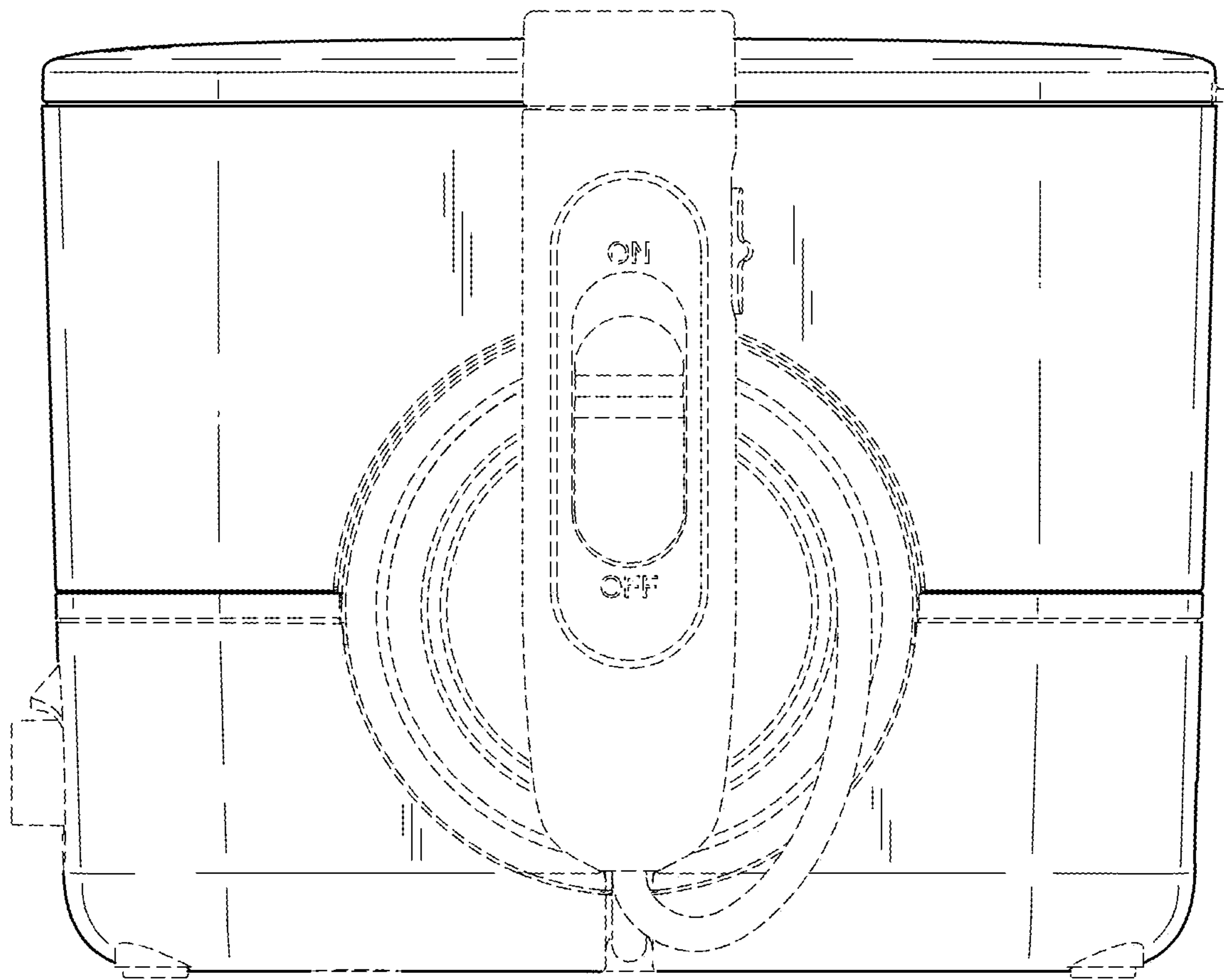


FIG. 2

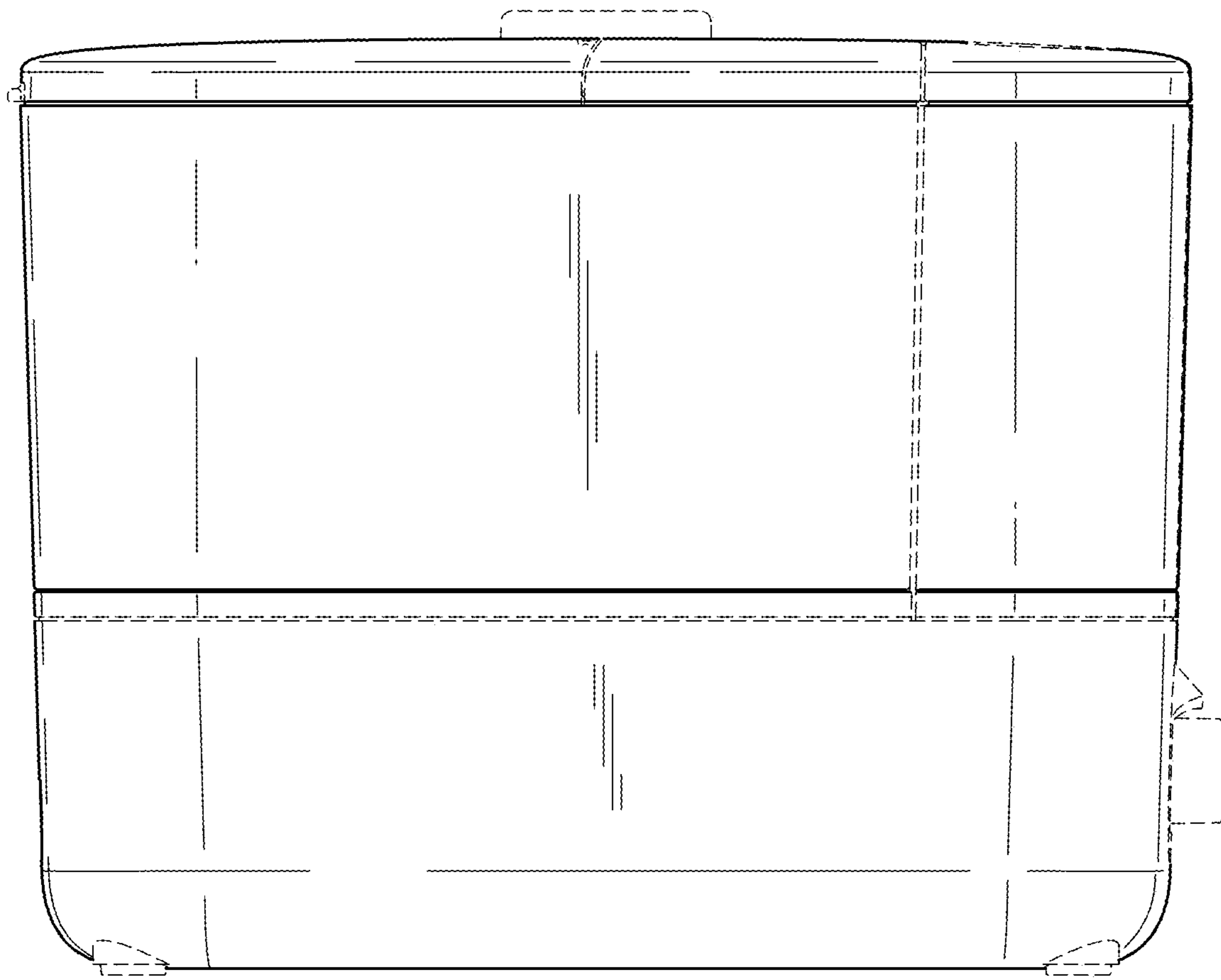


FIG. 3

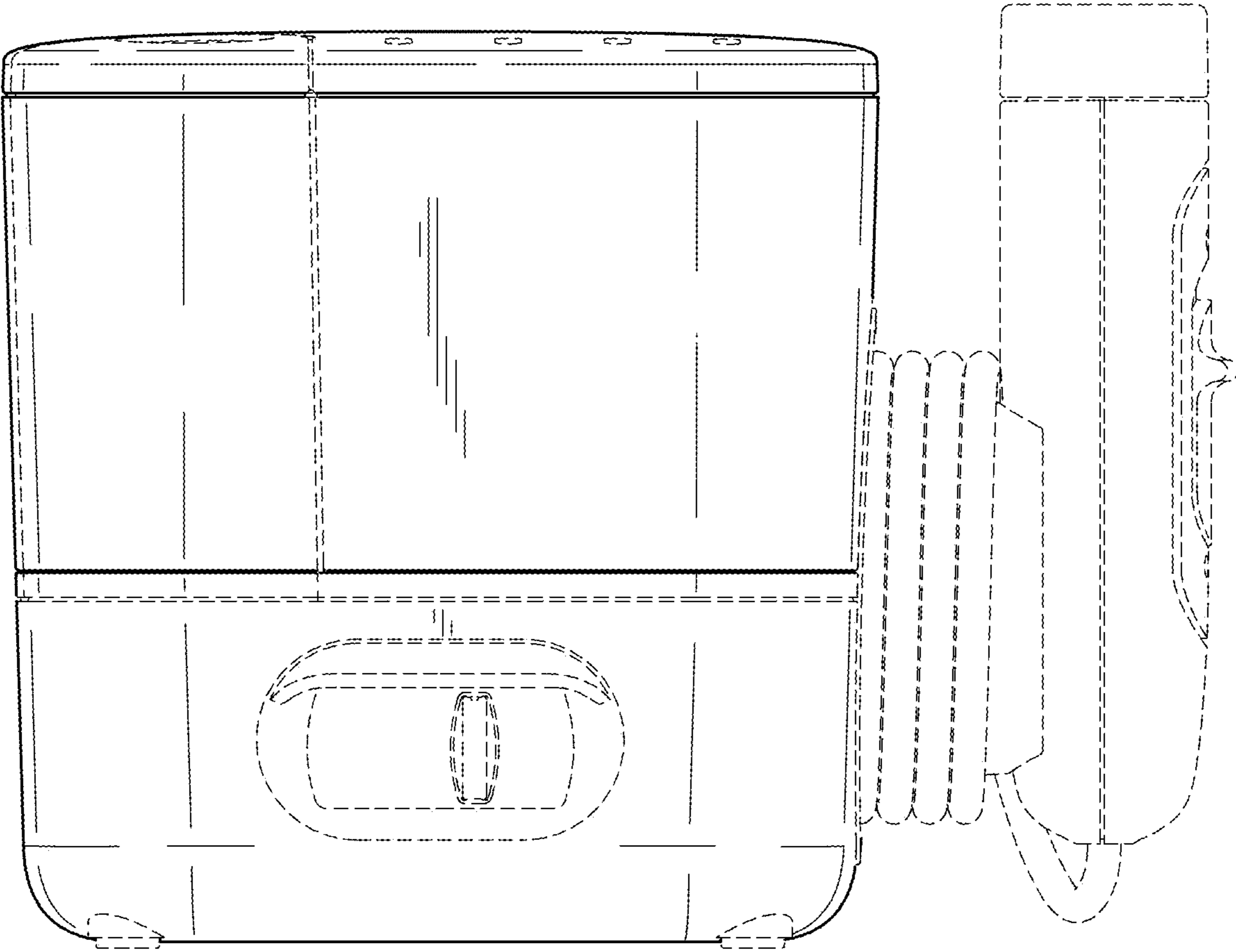


FIG. 4

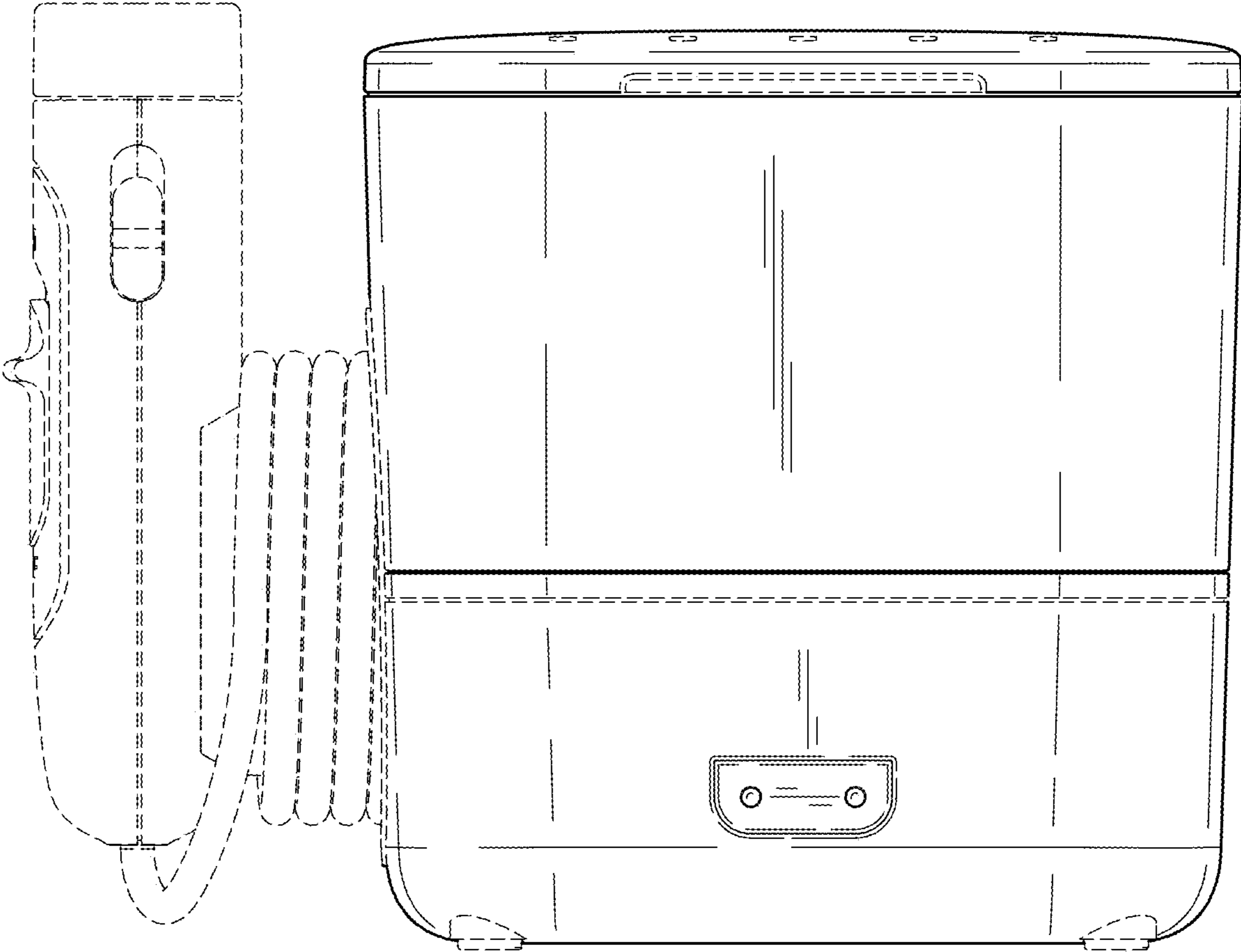


FIG. 5

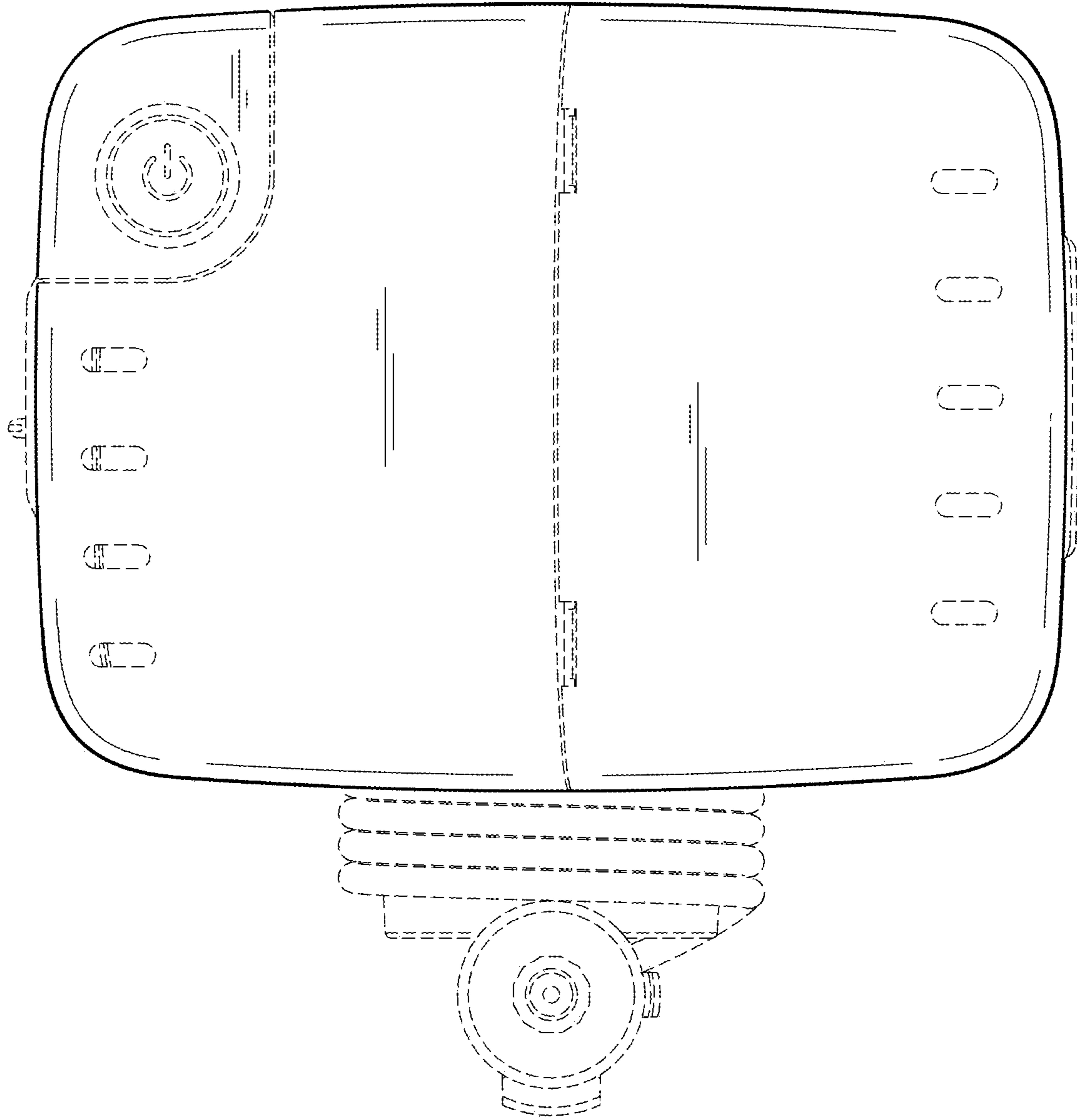


FIG. 6





FIG. 7