



US00D947366S

(12) **United States Design Patent** (10) **Patent No.:** **US D947,366 S**
Massie et al. (45) **Date of Patent:** **** Mar. 29, 2022**

(54) **ORAL IRRIGATOR HANDLE** 2,813,529 A 11/1957 Janis-Indrikis
2,814,877 A 12/1957 Tilden
(71) Applicant: **WATER PIK, INC.**, Fort Collins, CO 2,999,648 A 9/1961 Wahlin et al.
(US) (Continued)

(72) Inventors: **Carson Noel Massie**, Seattle, WA (US);
Jeffrey Ladwig, Seattle, WA (US)

(73) Assignee: **WATER PIK, INC.**, Fort Collins, CO
(US)

(**) Term: **15 Years**

(21) Appl. No.: **29/713,262**

(22) Filed: **Nov. 14, 2019**

Related U.S. Application Data

(63) Continuation of application No. 29/657,488, filed on Jul. 23, 2018, now Pat. No. Des. 870,268, which is a continuation of application No. 29/587,848, filed on Dec. 15, 2016, now Pat. No. Des. 825,741.

(51) **LOC (13) Cl.** **24-02**

(52) **U.S. Cl.**
USPC **D24/111**

(58) **Field of Classification Search**
USPC D24/108, 111-113, 133, 152, 176;
D4/101, 138
CPC . A61C 17/0205; A61C 17/0202; A61C 17/00;
A61C 17/224; A61C 17/20; A61C
17/005; A61C 17/028; A61C 17/02; A61C
17/36; A61C 17/0211; A61C 17/0214;
A61C 17/28; A61C 17/043; A61C 17/22;
A61C 17/222; A61C 17/225
See application file for complete search history.

(56) **References Cited**

U.S. PATENT DOCUMENTS

1,664,369 A 3/1928 Maurer
2,024,146 A 12/1935 Crowther
2,647,799 A 8/1953 Kinney

FOREIGN PATENT DOCUMENTS

AU 201815406 12/2018
CA 174897 A 1/2019
(Continued)

OTHER PUBLICATIONS

International Search Report and Written Opinion issued in International application PCT/IB2011/001325, 9 pages.
(Continued)

Primary Examiner — Sheryl Lane

Assistant Examiner — Aula Soroush

(74) *Attorney, Agent, or Firm* — Dorsey & Whitney LLP

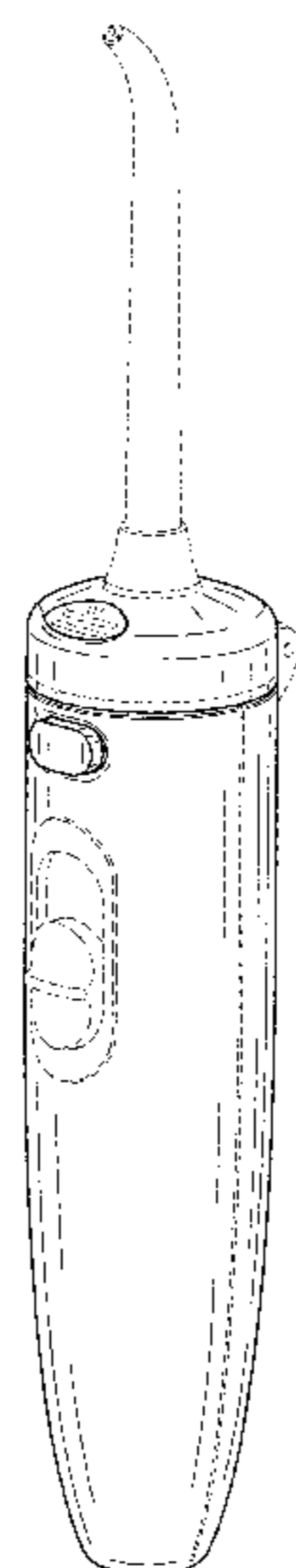
(57) **CLAIM**

We claim the ornamental design for an oral irrigator handle, as shown and described.

DESCRIPTION

FIG. 1 is an isometric view of an oral irrigator handle with a tip shown in dashed lines for environment.
FIG. 2 is a front isometric view of the oral irrigator handle of FIG. 1.
FIG. 3 is a front elevation view thereof.
FIG. 4 is a rear elevation view thereof.
FIG. 5 is a right side elevation view thereof.
FIG. 6 is a left side elevation view thereof.
FIG. 7 is a top plan view thereof; and,
FIG. 8 is a bottom plan view thereof.
The broken line showing of the tip in FIG. 1 illustrates environment and forms no part of the claimed design. The other broken lines in FIGS. 1-8 indicate features of the oral irrigator handle that form no part of the claimed design.

1 Claim, 4 Drawing Sheets



(56)

References Cited

U.S. PATENT DOCUMENTS

3,386,439	A	6/1968	Harper	6,301,733	B1	10/2001	Dawson et al.
3,566,863	A	3/1971	Law	D450,382	S	11/2001	Nestenborg
3,578,884	A	5/1971	Jacobson	6,325,624	B1	12/2001	Kutsch et al.
3,666,183	A	5/1972	Smith	6,394,366	B1	5/2002	Adams
3,863,628	A	2/1975	Vit	6,485,304	B2	11/2002	Beerstecher et al.
3,971,136	A	7/1976	Madsen	D468,422	S	1/2003	Mccurrach
4,174,571	A	11/1979	Gallant	6,561,440	B1	5/2003	Hofherr
4,214,871	A	7/1980	Arnold	6,601,783	B2	8/2003	Chisum et al.
4,247,049	A	1/1981	Gailitis	6,607,711	B2	8/2003	Pedersen et al.
4,252,768	A	2/1981	Perkins et al.	6,648,644	B1	11/2003	Flemmig et al.
4,253,610	A	3/1981	Larkin	6,688,947	B2	2/2004	Amand et al.
4,260,054	A	4/1981	Bory et al.	6,695,686	B1	2/2004	Frohlich et al.
4,308,252	A	12/1981	Tomaich et al.	6,752,685	B2	6/2004	Ulrich et al.
4,462,803	A	7/1984	Landgraf et al.	6,824,453	B1	11/2004	Andersson
4,478,368	A	10/1984	Yie	6,837,709	B2	1/2005	Sierro et al.
4,482,322	A	11/1984	Hain et al.	6,846,211	B2	1/2005	Yasuda et al.
4,494,698	A	1/1985	Brown et al.	6,935,576	B2	8/2005	Hara
4,522,597	A	6/1985	Gallant	6,964,569	B2	11/2005	Nordmo et al.
4,540,365	A	9/1985	Nelson et al.	7,083,411	B2	8/2006	Flemmig et al.
4,545,157	A	10/1985	Saurwein	D533,270	S	12/2006	Kierce et al.
4,564,005	A	1/1986	Marchand et al.	7,147,468	B2	12/2006	Snyder et al.
4,595,365	A	6/1986	Edel et al.	D563,674	S	3/2008	Beedham
4,608,018	A	8/1986	Ghedini et al.	7,462,289	B2	12/2008	Ayats et al.
4,611,759	A	9/1986	Cox	7,757,971	B2	7/2010	Hall et al.
4,625,780	A	12/1986	Burnham	7,762,812	B2	7/2010	Pichat et al.
4,707,952	A	11/1987	Krasnoff	D625,105	S	10/2010	Winkler
4,738,401	A	4/1988	Filicicchia	7,980,923	B2	7/2011	Olmo et al.
4,776,794	A	10/1988	Meller	D648,941	S	11/2011	Leung
D304,231	S	10/1989	Stream	D651,805	S	1/2012	Hay et al.
4,936,335	A	6/1990	Macon	8,652,495	B2	2/2014	Porter et al.
4,954,688	A	9/1990	Winterfeldt et al.	8,858,921	B2	10/2014	Schmid et al.
4,965,968	A	10/1990	Kelsall	D717,547	S	11/2014	Adriaenssen et al.
4,978,297	A	12/1990	Vlock	D719,737	S	12/2014	Adriaenssen et al.
4,979,679	A	12/1990	Downs	9,259,301	B2	2/2016	Zhadanov et al.
5,018,317	A	5/1991	Kiyoshige et al.	9,278,320	B2	3/2016	Mueller
5,052,624	A	10/1991	Boers et al.	9,339,350	B2	5/2016	Olmo et al.
5,056,718	A	10/1991	Wakefield	9,358,185	B2	6/2016	Haeberlein et al.
5,094,615	A	3/1992	Bailey	9,492,361	B2	11/2016	Mueller
5,100,319	A	3/1992	Baum	9,493,731	B2	11/2016	Mueller
5,114,766	A	5/1992	Jacques	9,498,416	B2	11/2016	Li et al.
5,169,065	A	12/1992	Bloch	D773,822	S	12/2016	Sikora et al.
5,186,625	A	2/1993	Bailey	9,532,932	B2	1/2017	Prencipe et al.
5,203,968	A	4/1993	Henricson	9,566,130	B2	2/2017	Mueller
5,219,897	A	6/1993	Murray	9,566,397	B2	2/2017	Faram
5,226,565	A	7/1993	Hladis et al.	D782,657	S	3/2017	Williams
5,236,971	A	8/1993	Murray	D790,859	S	7/2017	Mcgarry et al.
5,312,040	A	5/1994	Woodward	D799,217	S	10/2017	Massee
5,335,459	A	8/1994	Dale	D800,896	S	10/2017	Roberts et al.
5,362,472	A	11/1994	Lauter et al.	D802,120	S	11/2017	Boyd et al.
5,374,119	A	12/1994	Scheimann	D812,219	S	3/2018	Wang
5,385,304	A	1/1995	Haruch	D825,741	S	8/2018	Massie et al.
5,390,450	A	2/1995	Goenka	D870,268	S	12/2019	Massie et al.
5,395,323	A	3/1995	Berglund	2003/0013063	A1	1/2003	Goldman
5,536,479	A	7/1996	Miller et al.	2004/0014001	A1	1/2004	Nordmo et al.
5,551,909	A	9/1996	Bailey	2004/0125689	A1	7/2004	Ehrfeld et al.
5,553,784	A	9/1996	Theurer	2004/0202980	A1	10/2004	Policicchio
5,554,025	A	9/1996	Kinsel	2004/0219483	A1	11/2004	Egeresi
5,558,474	A	9/1996	Wildon	2006/0222600	A1	10/2006	Pinyayev
5,567,389	A	10/1996	Birbara et al.	2007/0080240	A1	4/2007	Schuetz et al.
5,595,346	A	1/1997	Haruch et al.	2007/0113374	A1	5/2007	Joshi
5,601,478	A	2/1997	Meshner	2007/0184998	A1	8/2007	Evans et al.
5,641,368	A	6/1997	Romes et al.	2007/0202459	A1	8/2007	Boyd et al.
5,733,174	A	3/1998	Bingham et al.	2007/0203439	A1	8/2007	Boyd et al.
5,746,596	A	5/1998	Gallant et al.	2008/0245795	A1	4/2008	Berge
5,810,999	A	9/1998	Bachand et al.	2009/0227185	A1	9/2009	Summers et al.
5,849,253	A	12/1998	Crossdale et al.	2009/0241817	A1	10/2009	Eastin et al.
5,857,851	A	1/1999	Chavanne et al.	2010/0239998	A1	9/2010	Snyder et al.
5,857,900	A	1/1999	Shank, Jr.	2010/0297577	A1	11/2010	Cohen
5,918,817	A	7/1999	Kanno et al.	2011/0027328	A1	2/2011	Baig et al.
5,921,456	A	7/1999	Kirsch et al.	2011/0306279	A1	12/2011	Hunziker
6,048,501	A	4/2000	Lemaire et al.	2012/0282570	A1	11/2012	Mueller
6,077,152	A	6/2000	Warehime	2013/0288195	A1	10/2013	Mueller
6,119,964	A	9/2000	Lombari	2013/0337413	A1	12/2013	Donnet et al.
D438,954	S	3/2001	Orsing	2014/0106296	A1	4/2014	Woodard et al.
6,283,833	B1	9/2001	Pao et al.	2014/0272769	A1	9/2014	Luetzgen et al.
				2015/0004559	A1	1/2015	Luetzgen et al.
				2015/0182319	A1	7/2015	Wagner et al.
				2015/0232511	A1	8/2015	Hug et al.
				2015/0282909	A1	10/2015	Roberts et al.

(56)

References Cited

U.S. PATENT DOCUMENTS

2016/0022931 A1 1/2016 Althorpe et al.
 2016/0220452 A1 8/2016 Donnet
 2017/0000592 A1 1/2017 Shalev et al.
 2017/0027848 A1 2/2017 Li et al.
 2017/0071711 A1 3/2017 Shalev
 2017/0087065 A1 3/2017 Berglund et al.
 2017/0209246 A1 7/2017 Williams et al.
 2018/0153666 A1 6/2018 Snyder et al.
 2018/0168785 A1 6/2018 Wagner et al.
 2018/0221260 A1 8/2018 Snyder
 2018/0263742 A1 9/2018 Taylor et al.

FOREIGN PATENT DOCUMENTS

CH 354895 A 6/1961
 CN 2173311 Y 8/1994
 CN 1871408 A 11/2006
 CN 110730641 A 1/2020
 DE 3322716 A1 1/1985
 DE 3622292 A1 1/1987
 DE 3528137 A1 4/1987
 DE 3742466 A1 6/1989
 DE 4002787 A1 8/1991
 DE 19640921 C1 11/1997
 DE 29714212 U1 12/1997
 DE 19729516 A1 1/1999
 DE 69605184 T2 12/1999
 DE 19935728 A1 2/2001
 DE 10123093 A1 11/2002
 DE 102004062076 A1 7/2006
 DE 102006015805 A1 10/2007
 DE 102007047478 A1 4/2009
 DE 102007058112 A1 6/2009
 DE 102010051225 A1 5/2012
 DE 102010051226 A1 5/2012
 EP 0258242 B1 8/1989
 EP 0476632 A2 3/1992
 EP 0526087 A1 2/1993
 EP 0573957 A1 12/1993
 EP 0628652 A1 12/1994
 EP 0691102 A1 1/1996
 EP 0691183 A1 1/1996

EP 0810038 A2 12/1997
 EP 0839495 A1 5/1998
 EP 1072717 A1 1/2001
 EP 1243226 A2 9/2002
 EP 1639913 A1 3/2006
 EP 1919435 B1 7/2011
 EP 2515784 A1 10/2012
 EP 2753292 A2 7/2014
 EP 2863835 A1 4/2015
 EP 3146933 A1 3/2017
 GB 2334666 A 9/1999
 JP 2009125124 A 6/2009
 KR 100945073 B1 3/2010
 WO 8801839 A1 3/1988
 WO 2004037109 A2 5/2004
 WO 2007110710 A2 10/2007
 WO 2008046580 A1 4/2008
 WO 2011070385 A1 6/2011
 WO 2012069893 A1 5/2012
 WO 2012127257 A1 9/2012
 WO 2013080762 A1 6/2013
 WO 2016052572 A1 4/2016
 WO 2016062742 A1 4/2016
 WO 2016124381 A1 8/2016
 WO 2018046580 A1 3/2018
 WO 2018170417 A1 9/2018

OTHER PUBLICATIONS

International Search Report and Written Opinion, PCT application PCT/IB2011/000576, dated Dec. 13, 2011, 9 pages.
 PCT International Search Report and Written Opinion, application PCT/IB2011/001324, dated Nov. 29, 2011, 8 pages.
 “How to Use the Waterpik Whitening Water Flosser (WF-06)”, video on YouTube.com, posted by Waterpik on Jan. 29, 2018.
 “International Search Report and Written Opinion dated Jun. 20, 2018”, in PCT Application No. PCT/US2018/022893, 12 pages.
 “Waterpik Complete Care 5.0 Toothbrush & Water Flosser,” posted at amazon.com, earliest date reviewed on Mar. 14, 2016, [online], acquired on Feb. 23, 2018, available from Internet, <URL: https://www.amazon.com/Waterpik-Complete-Toothbrush-Water-Flosser/d/B01CRZ939Y/ref=cm_cr_ar_p_d_product_top?ie=UTF8> (Year: 2016).
 “International Preliminary Report on Patentability”, Application No. PCT/IB2011/000576, dated Sep. 24, 2013, 6 pages.

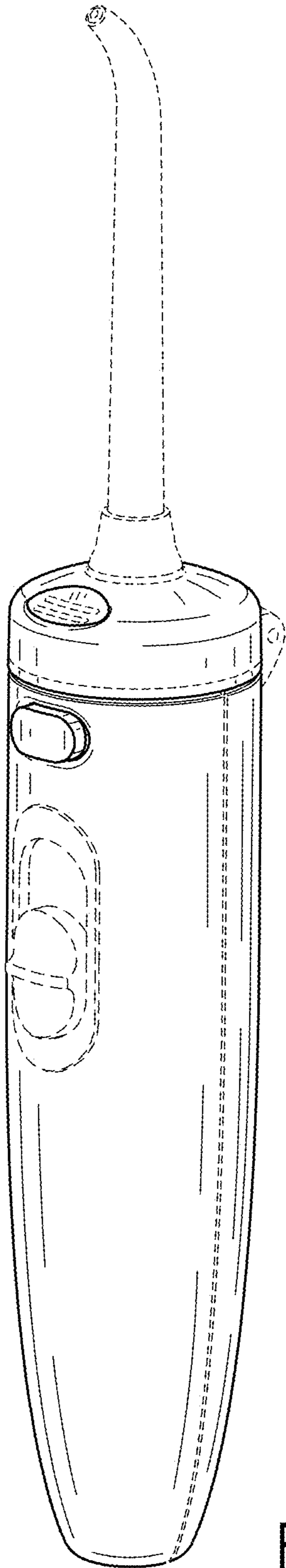


FIG. 1

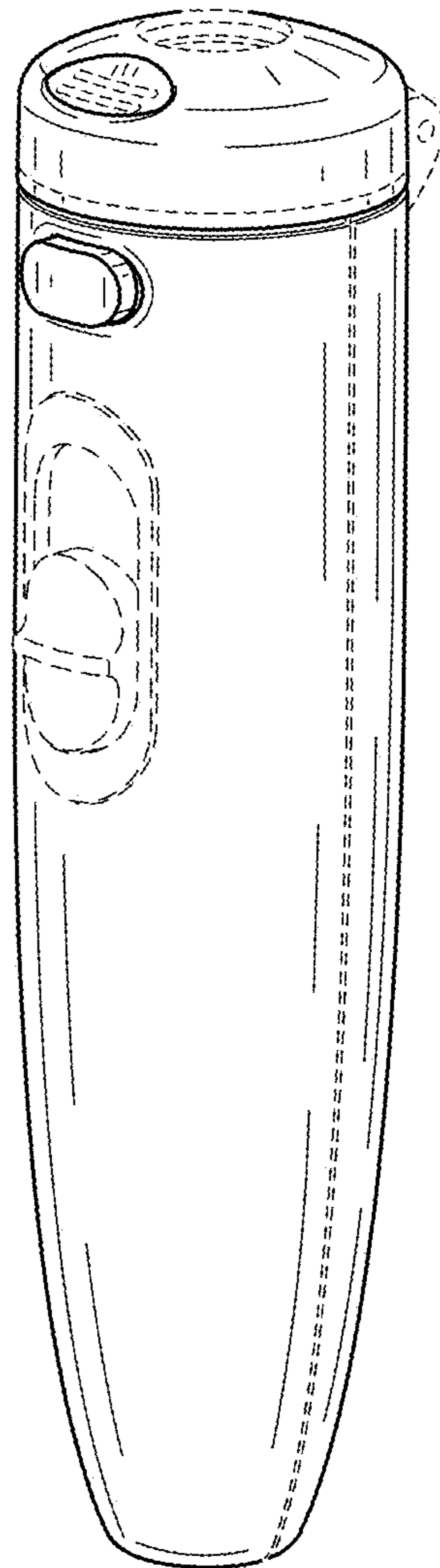


FIG. 2

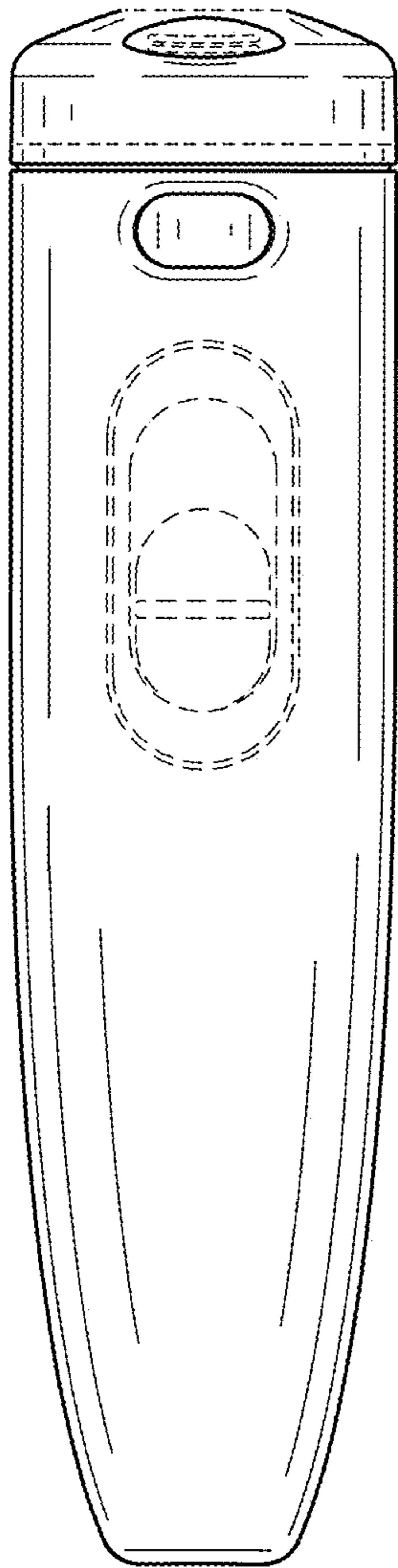


FIG. 3

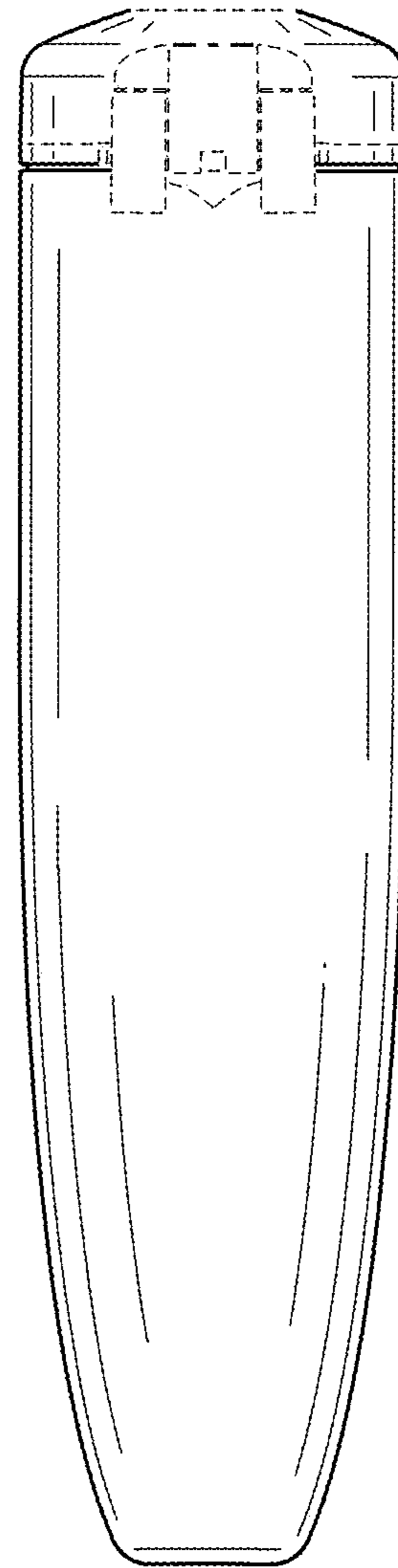


FIG. 4

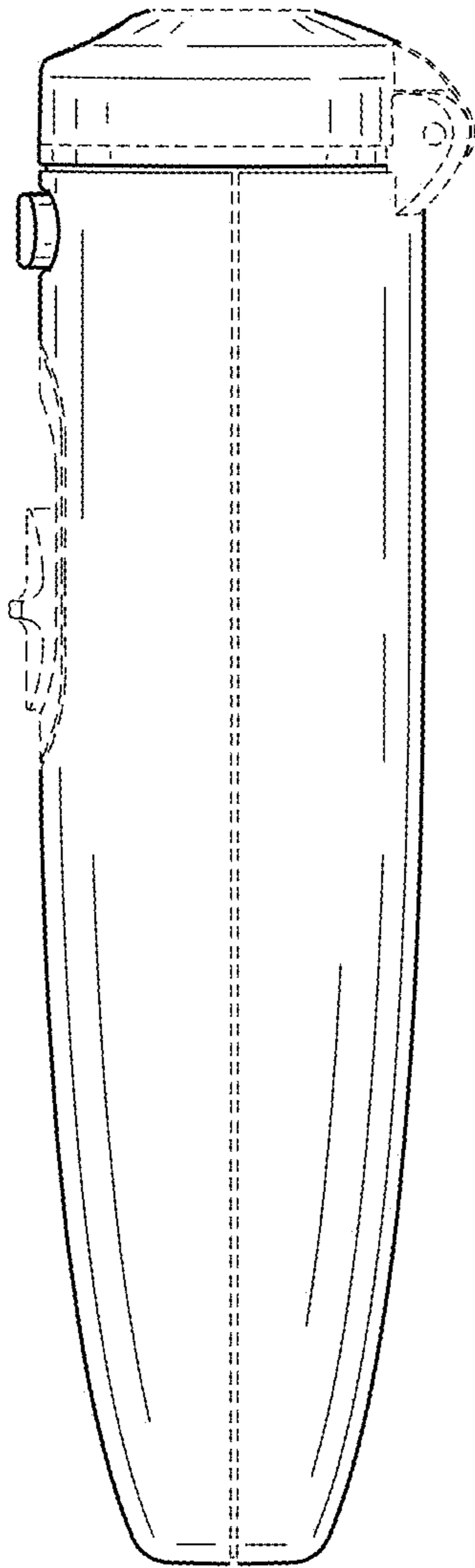


FIG. 5

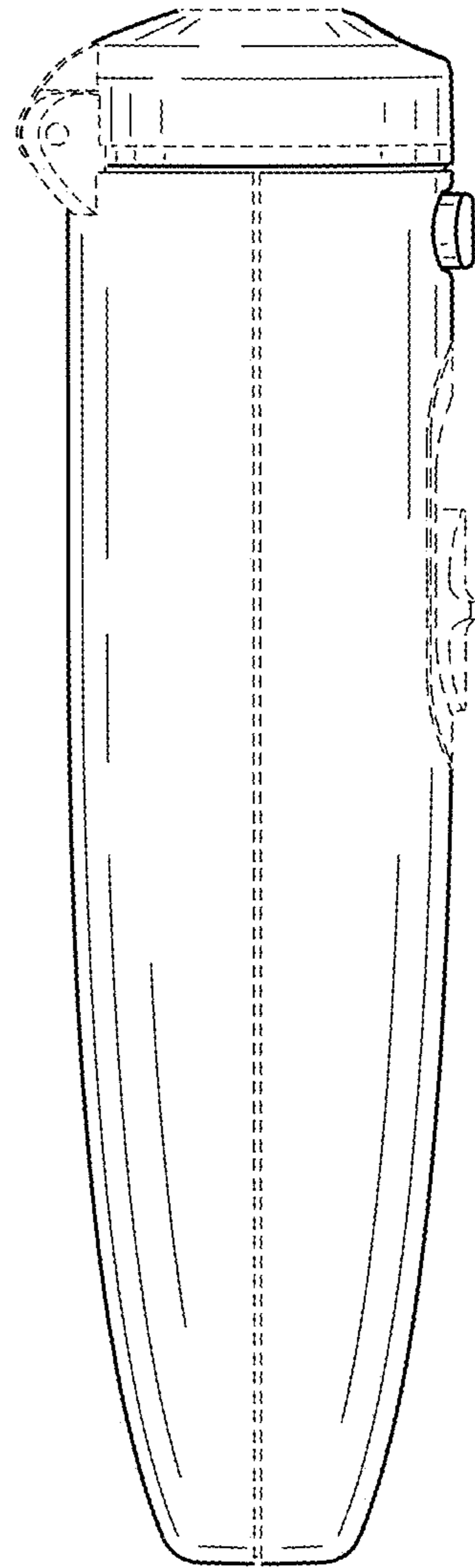


FIG. 6

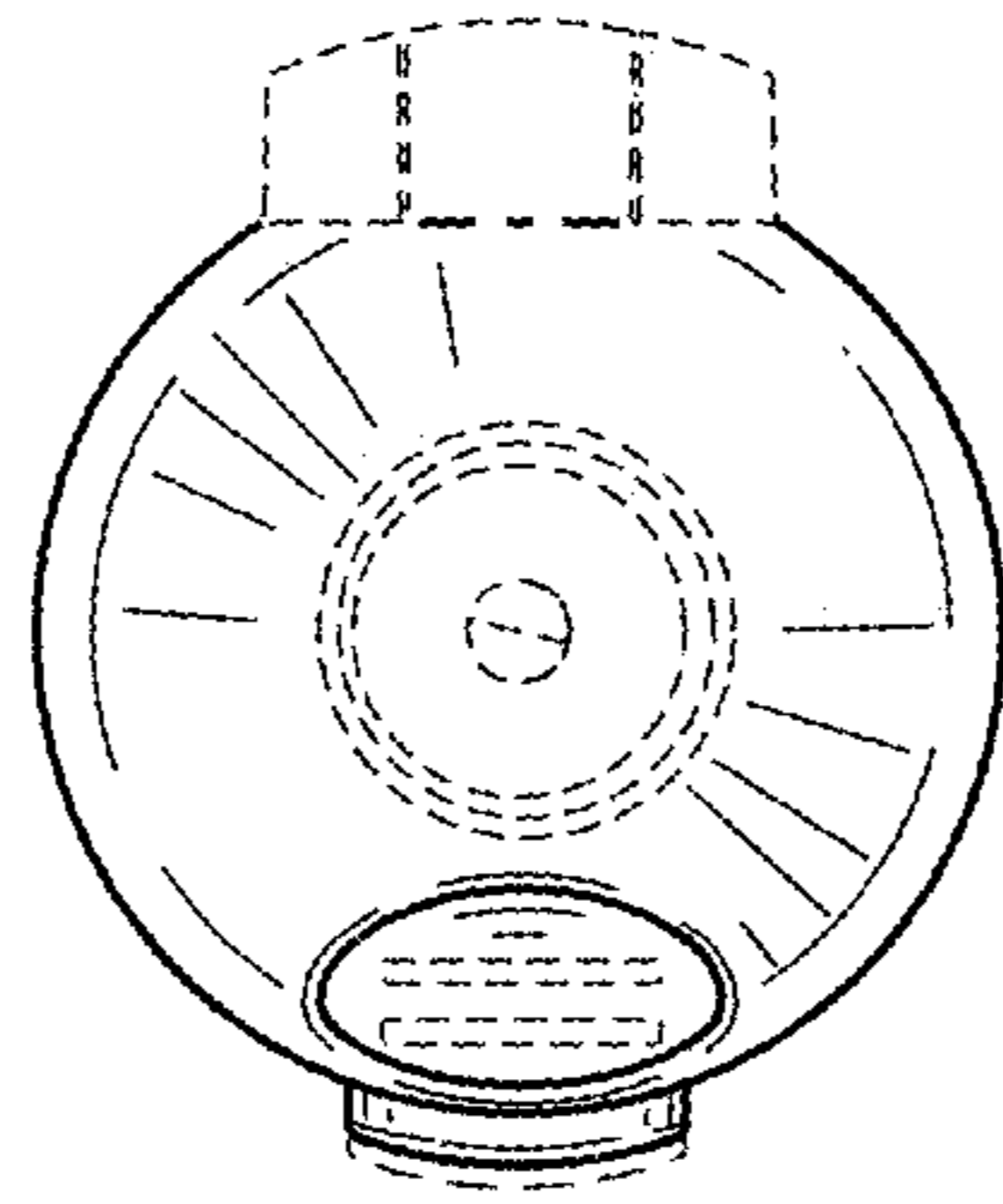


FIG. 7

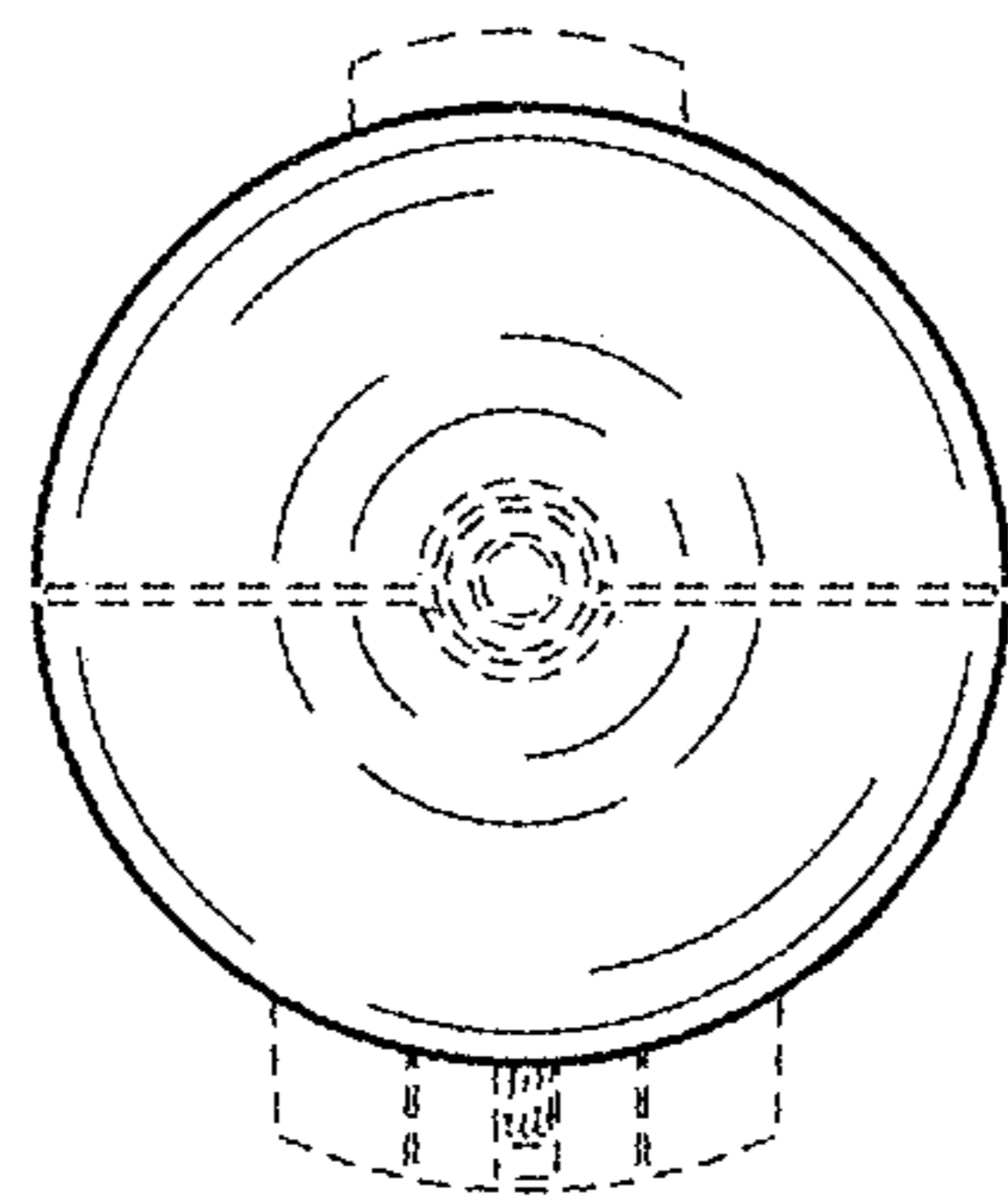


FIG. 8