



US00D947363S

(12) **United States Design Patent**  
**Eldibany**

(10) **Patent No.:** **US D947,363 S**  
(45) **Date of Patent:** **\*\* Mar. 29, 2022**

(54) **FACE MASK**

(71) Applicant: **Mohamed Eldibany**, Evanston, IL (US)

(72) Inventor: **Mohamed Eldibany**, Evanston, IL (US)

(\*\*) Term: **15 Years**

(21) Appl. No.: **29/746,100**

(22) Filed: **Aug. 11, 2020**

(51) **LOC (13) Cl.** ..... **29-02**

(52) **U.S. Cl.**

USPC ..... **D24/110.1**; D29/108

(58) **Field of Classification Search**

USPC ..... D24/110, 110.1–110.6; D29/108

CPC . A41D 13/11; A41D 13/1107; A41D 13/1115;

A41D 13/1123; A41D 13/113; A41D

13/1138; A41D 13/1146; A41D 13/1153;

A41D 13/1161; A41D 13/1169; A41D

13/1176; A61M 16/06; A62B 18/00;

A62B 18/02; A62B 18/025; A62B 23/00

See application file for complete search history.

(56) **References Cited**

**U.S. PATENT DOCUMENTS**

D666,710 S *	9/2012	Godfrey	.....	D24/110
D767,115 S *	9/2016	Mingo	.....	D24/110.1
D936,207 S *	11/2021	Mallady, Jr.	.....	D24/110.1
D936,208 S *	11/2021	Bindhammer	.....	D29/108
D936,906 S *	11/2021	Xin	.....	D29/108
2014/0224261 A1 *	8/2014	Tsuei	.....	A62B 23/025
				156/159
2015/0173436 A1 *	6/2015	Tsuei	.....	A41D 13/113
				2/424
2015/0216241 A1 *	8/2015	Lee	.....	A41D 13/1192
				128/863
2016/0029716 A1 *	2/2016	Duncan	.....	A41D 13/11
				128/863
2017/0209720 A1 *	7/2017	Mingo	.....	A62B 23/025
2021/0368874 A1 *	12/2021	Eldibany	.....	A62B 23/025
2022/0016296 A1 *	1/2022	Qian	.....	A62B 18/025
2022/0016452 A1 *	1/2022	Weiss	.....	A62B 18/086

**FOREIGN PATENT DOCUMENTS**

JP D1690654 \* 7/2021

**OTHER PUBLICATIONS**

SipNParty (available [online] Oct. 17, 2020) Retrieved from the internet Jan. 28, 2022 from URL: <https://www.etsy.com/listing/868283242/mini-bandana-face-mask-in-black-sateen> (Year: 2020).\*

Phlap (available [online] ) Retrieved from the internet Jan. 28, 2022 from URL: <https://www.etsy.com/listing/804767058/face-mask-with-mouth-openingdrinking> (Year: 2022).\*

SipNPartyMask (available [online] Oct. 5, 2020) Retrieved from the internet Jan. 28, 2022 URL: [https://www.instagram.com/p/CF-hdk\\_joS5/](https://www.instagram.com/p/CF-hdk_joS5/) (Year: 2020).\*

SipNParty masks (available [online] Oct. 4, 2020) Retrieved from the internet Jan. 28, 2022 from URL: <https://www.instagram.com/p/CF6Gab0jWA1/> (Year: 2020).\*

\* cited by examiner

*Primary Examiner* — Richard Kearney

*Assistant Examiner* — Michael Hoffman

(74) *Attorney, Agent, or Firm* — Justin Lampel

(57) **CLAIM**

The ornamental design for a face mask, as shown and described.

**DESCRIPTION**

FIG. 1 is a perspective view of a face mask showing the claimed design;

FIG. 2 is a front view thereof;

FIG. 3 is a back view thereof;

FIG. 4 is a side view thereof;

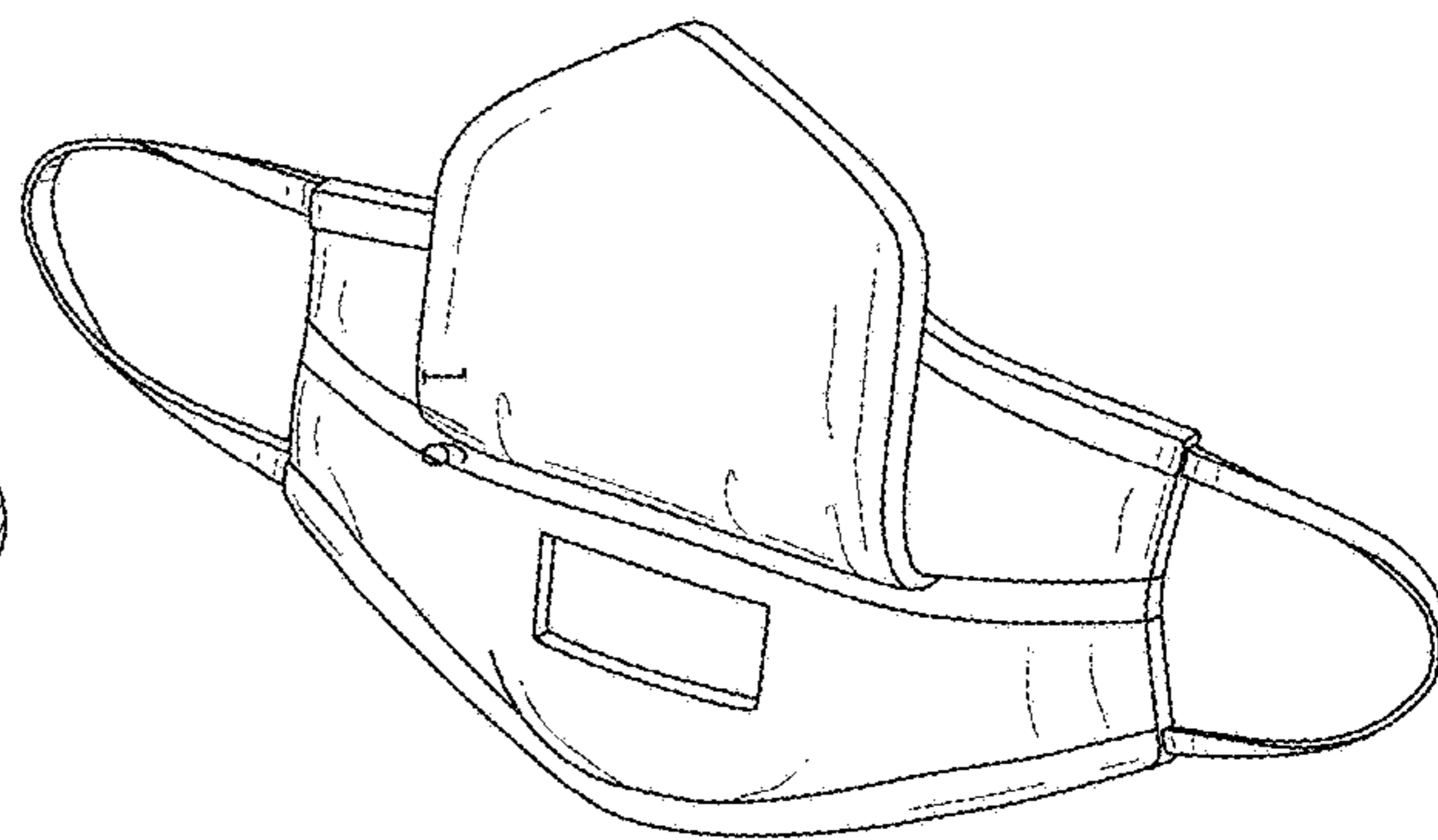
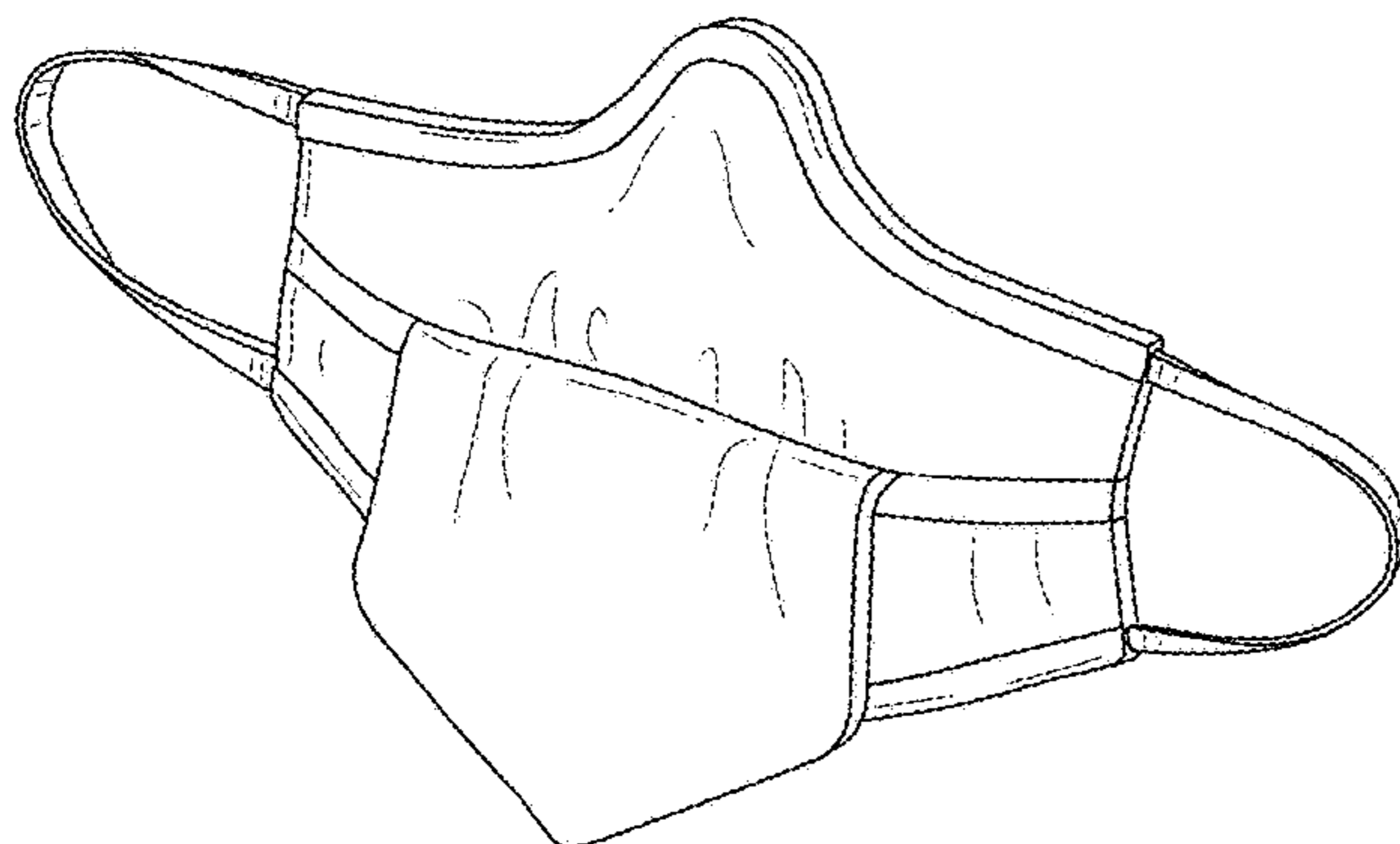
FIG. 5 is a side view thereof;

FIG. 6 is a bottom view thereof;

FIG. 7 is a top view thereof; and,

FIG. 8 is a perspective view with the flap lifted upward.

**1 Claim, 6 Drawing Sheets**



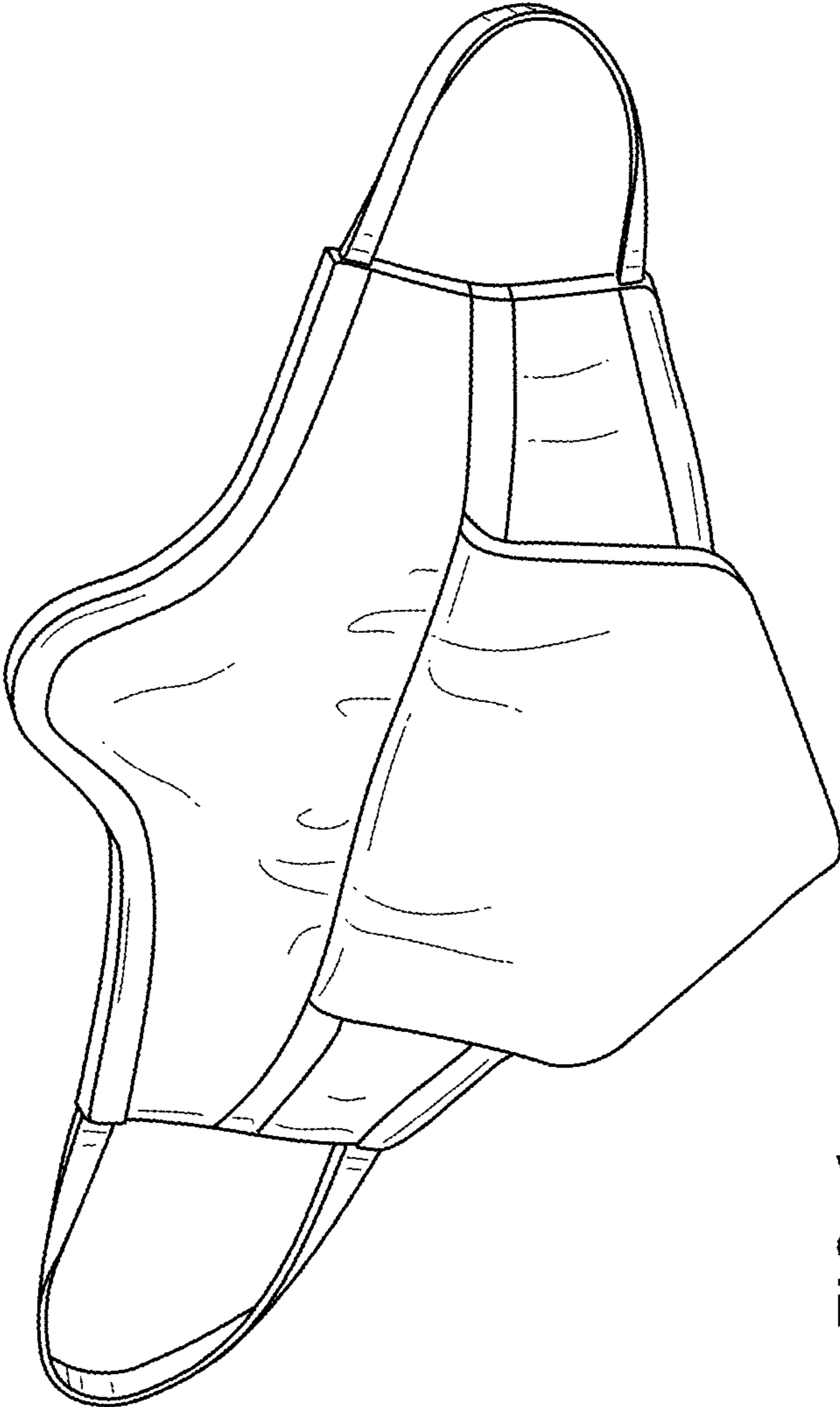


FIG. 1

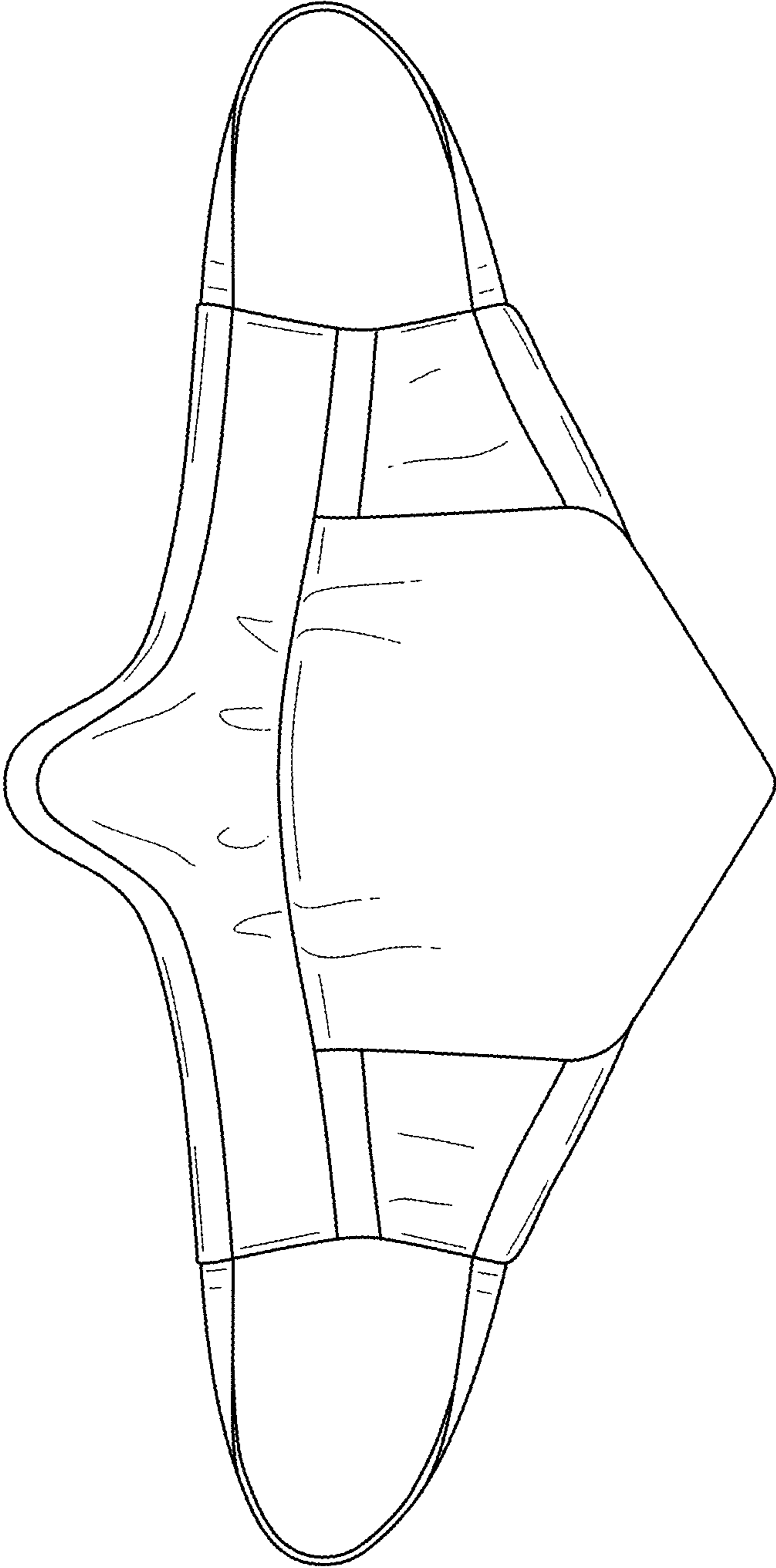


FIG. 2

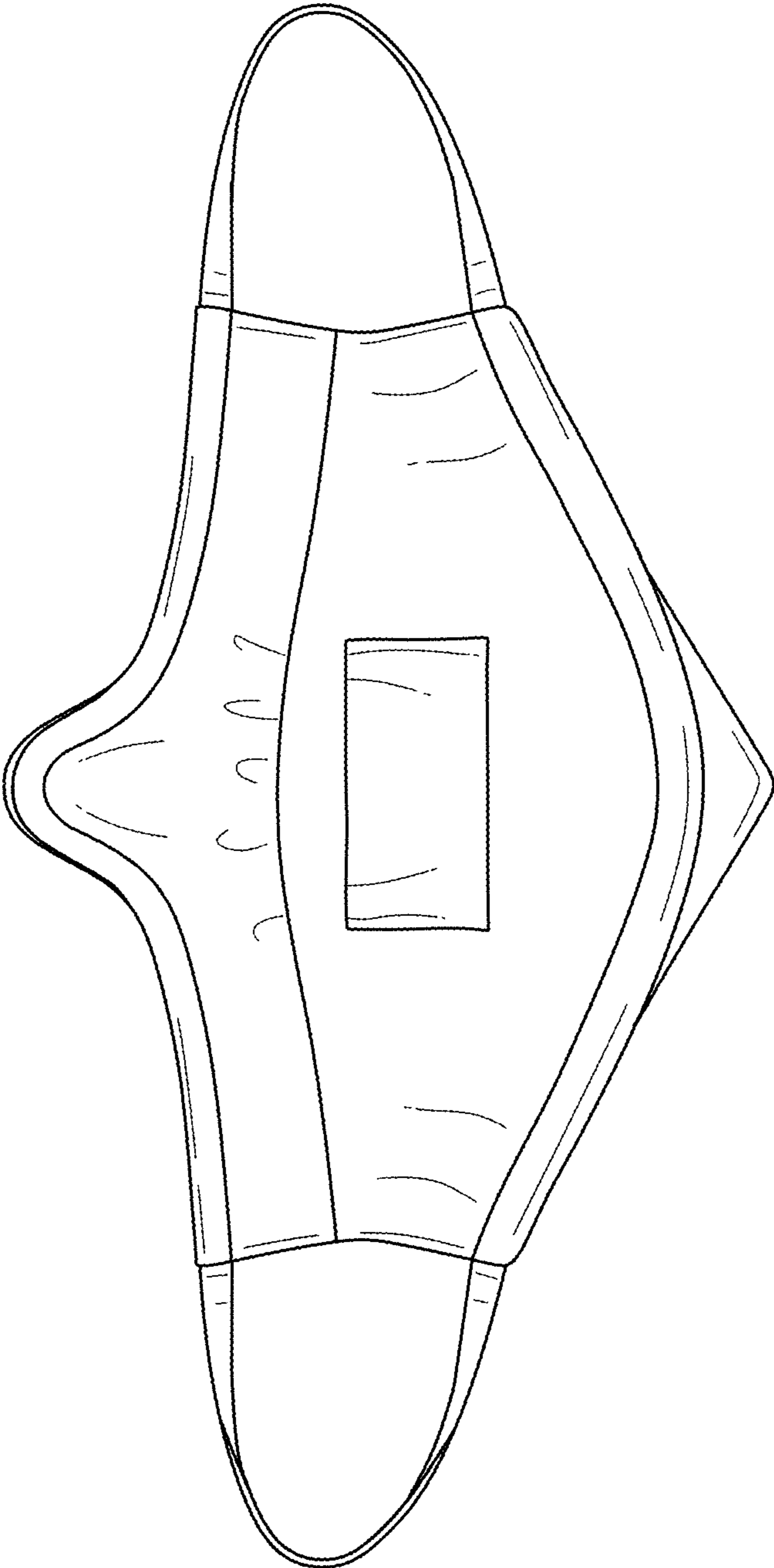


FIG. 3

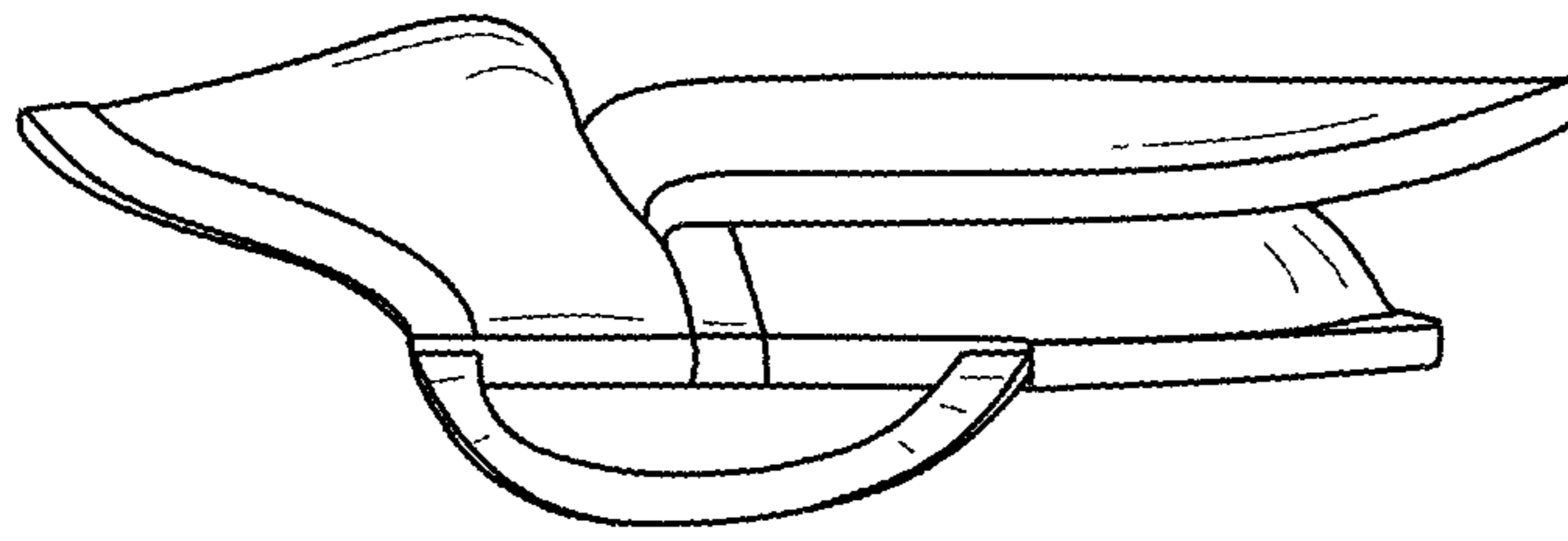


FIG. 5

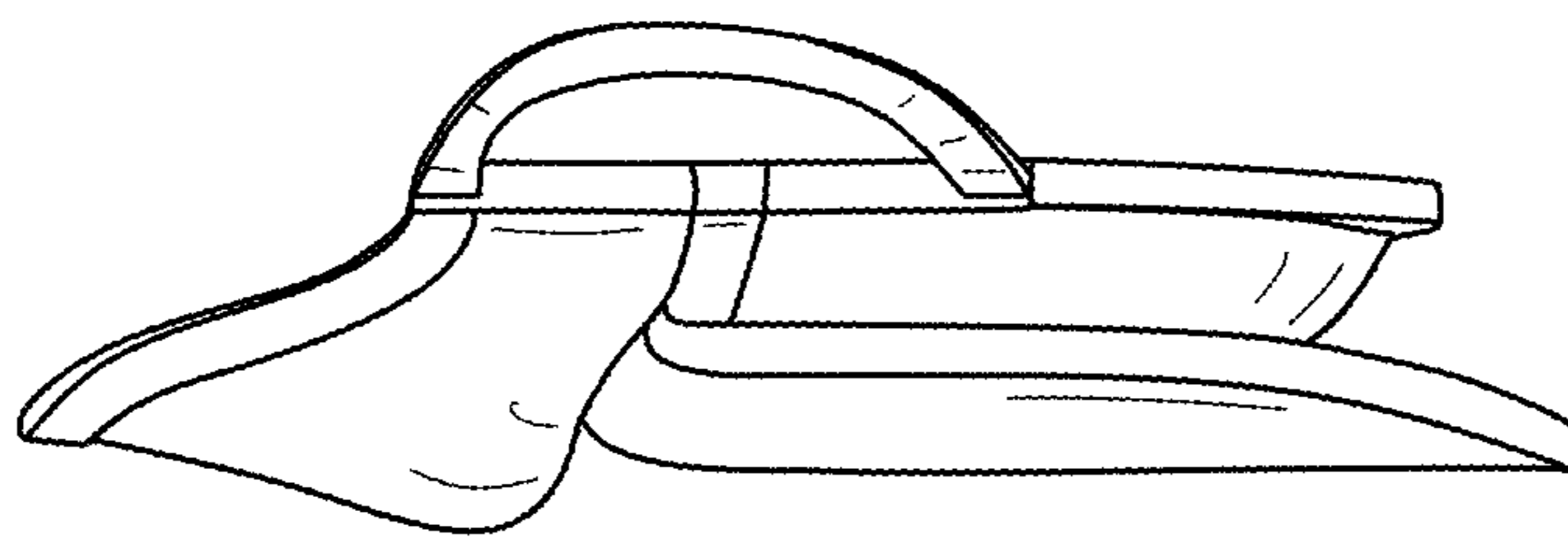


FIG. 4



FIG. 6

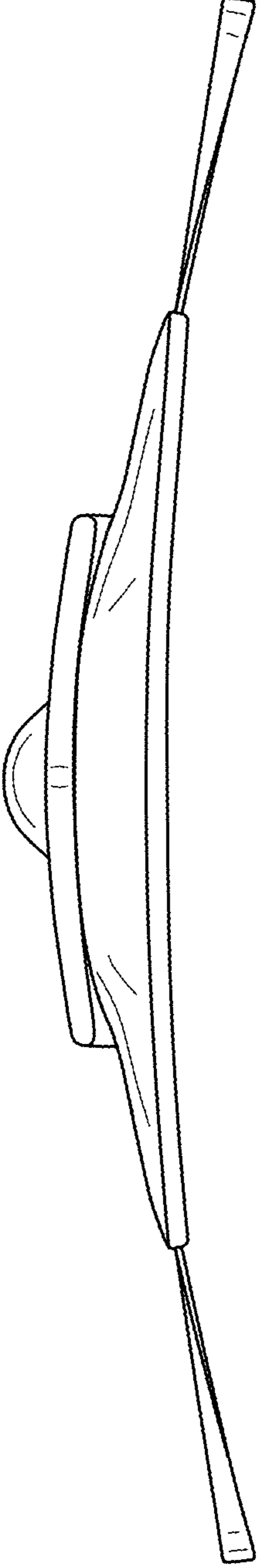


FIG. 7

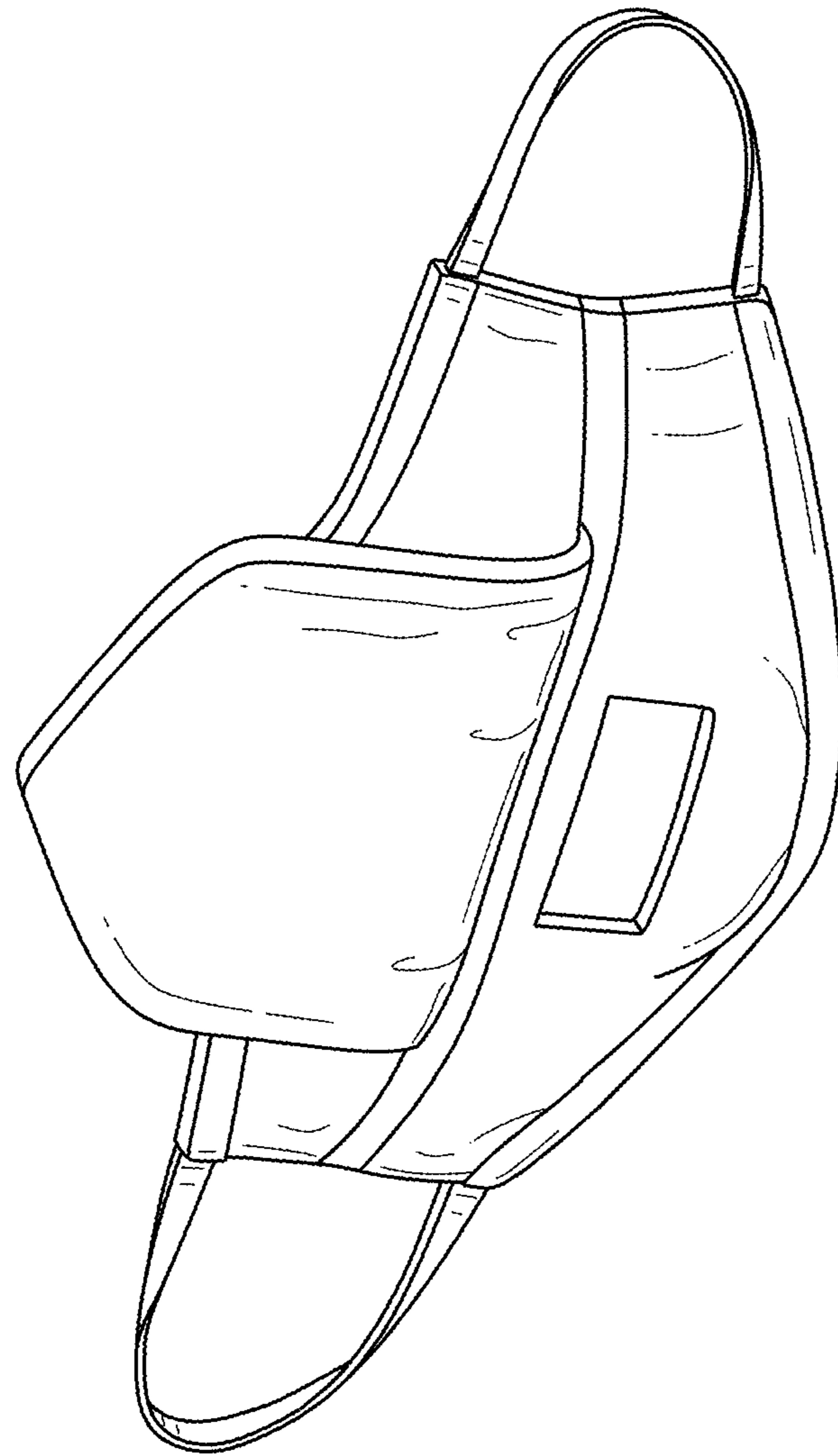


FIG. 8