



US00D947361S

(12) **United States Design Patent**  
**Zhang**

(10) **Patent No.:** **US D947,361 S**

(45) **Date of Patent:** **\*\* Mar. 29, 2022**

(54) **NEBULIZER**

(71) Applicant: **Shenzhen Nomei Jia Environmental Technology Co. Ltd., Shenzhen (CN)**

(72) Inventor: **Xiandai Zhang, Shenzhen (CN)**

(\*\*) Term: **15 Years**

(21) Appl. No.: **29/783,671**

(22) Filed: **May 14, 2021**

(51) **LOC (13) Cl.** ..... **29-02**

(52) **U.S. Cl.**

USPC ..... **D24/110**

(58) **Field of Classification Search**

USPC ..... D24/107, 108, 109, 110, 111, 164;  
D3/273, 294; D13/108; D15/9;  
D23/208, 356, 360; 128/200.14, 200.21,  
128/200.24, 203.12, 204.18  
CPC .... A61M 11/005; A61M 11/00; A61M 11/02;  
A61M 11/08; A61M 15/0085; A61M  
15/00; A61M 15/0001; A61M 15/001;  
A61M 15/0021; A61M 15/0023; A61M  
16/14

See application file for complete search history.

(56) **References Cited**

**U.S. PATENT DOCUMENTS**

- 3,290,021 A \* 12/1966 Blachly ..... F24F 6/16  
261/29
- D390,938 S \* 2/1998 Jane ..... D23/356
- 6,435,180 B1 \* 8/2002 Hewson ..... A61M 16/16  
128/203.12
- D498,768 S \* 11/2004 Romandy ..... D15/9
- D558,330 S 12/2007 Chang
- D624,316 S \* 9/2010 Ferber ..... D3/294
- D663,524 S \* 7/2012 Penttinen ..... D3/273
- D679,800 S \* 4/2013 Gusky ..... D24/110
- D683,444 S \* 5/2013 Inoue ..... D24/110
- D696,394 S \* 12/2013 Lu ..... D24/110
- D704,135 S \* 5/2014 Stewart ..... D13/108

- D705,159 S \* 5/2014 Levy ..... D13/108
- D725,591 S \* 3/2015 Chien ..... D13/108
- D732,158 S \* 6/2015 Salmon ..... D24/110
- D734,446 S \* 7/2015 Salmon ..... D24/108
- D735,476 S \* 8/2015 Duvigneau ..... D3/294

(Continued)

**FOREIGN PATENT DOCUMENTS**

CN 303890108 \* 10/2016

**OTHER PUBLICATIONS**

[Color Starter Machine for Adults Portable Breathing Machine with A Set of Accessories Desktop Low Noise Steam Inhaler], Amazon.com, Date First Available: Aug. 29, 2020 [online], Customer Review Oldest Date: Nov. 24, 2020[online], site visited: [Jan. 11, 2022], URL: <https://www.amazon.com/dp/B08GZMNL5M>. (Year: 2020).\*

(Continued)

*Primary Examiner* — Jonathan J Han  
*Assistant Examiner* — Amanda J Berlinski

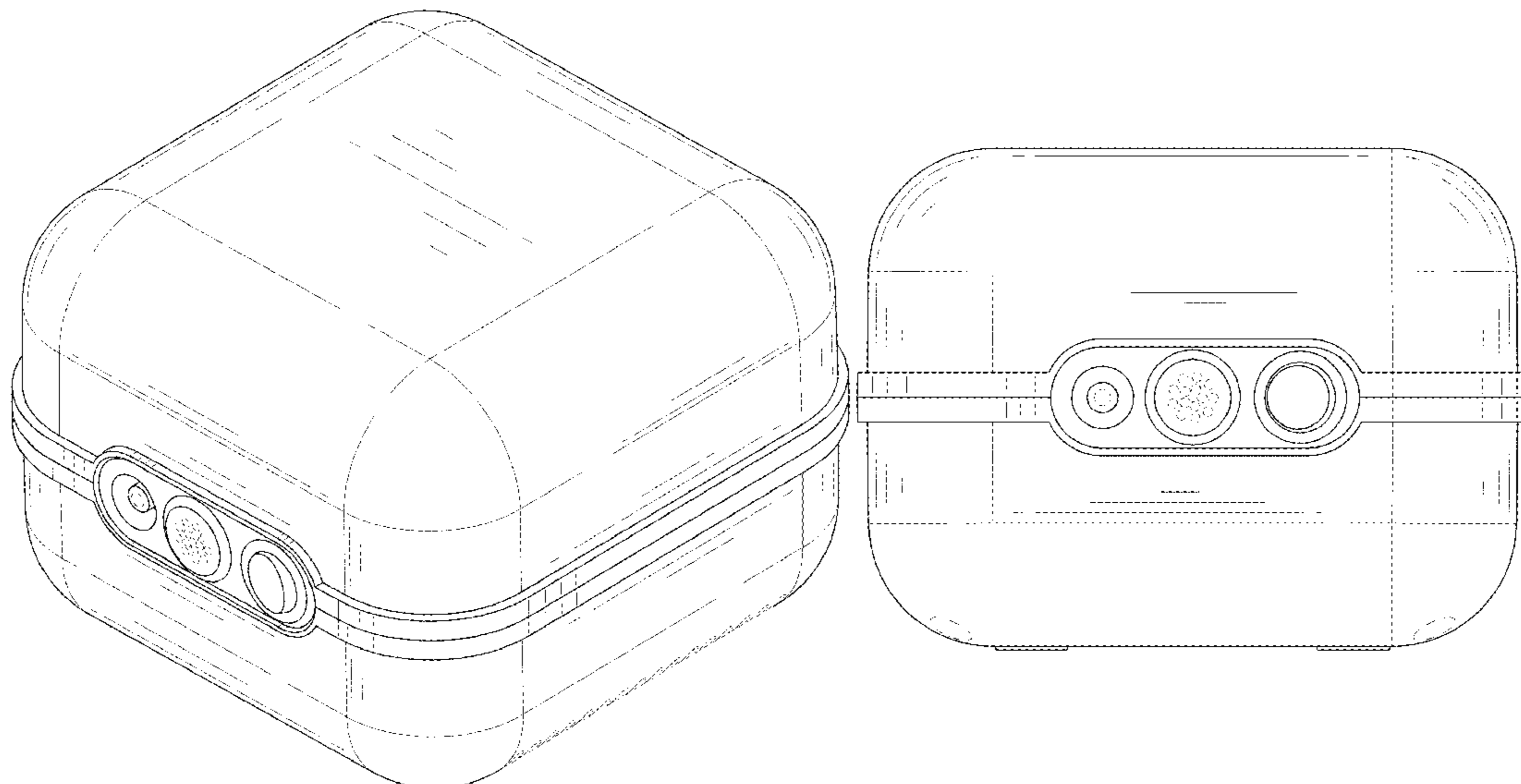
(57) **CLAIM**

The ornamental design for a nebulizer, as shown and described.

**DESCRIPTION**

FIG. 1 is a first perspective view of a nebulizer showing my new design;  
FIG. 2 is a second perspective view thereof;  
FIG. 3 is a front view thereof;  
FIG. 4 is a back view thereof;  
FIG. 5 is a left side view thereof;  
FIG. 6 is a right side view thereof;  
FIG. 7 is a top view thereof; and,  
FIG. 8 is a bottom view thereof.  
The broken lines shown in the drawings depict portions of the nebulizer in which the design is embodied that form no part of the claimed design.

**1 Claim, 8 Drawing Sheets**



(56)

References Cited

U.S. PATENT DOCUMENTS

D738,822 S \* 9/2015 Stewart ..... D13/108  
 D741,492 S \* 10/2015 Formica ..... D24/164  
 D745,137 S \* 12/2015 Pipe ..... D24/108  
 D759,727 S \* 6/2016 Jiang ..... D15/9  
 D776,802 S \* 1/2017 Loew ..... D24/108  
 D822,812 S \* 7/2018 Hu ..... D23/356  
 D829,213 S \* 9/2018 Szeremeta ..... D14/432  
 D832,893 S \* 11/2018 Petrelli ..... D15/9  
 D842,804 S \* 3/2019 Tong ..... D13/108  
 D849,057 S \* 5/2019 Jorißen ..... D15/9  
 D859,638 S \* 9/2019 Swanbury ..... D24/110  
 D886,974 S \* 6/2020 Miyawaki ..... D23/356  
 D888,664 S \* 6/2020 Ma ..... D13/108  
 D888,934 S \* 6/2020 Nguyen  
 D897,664 S \* 10/2020 Li ..... D3/201  
 D901,002 S 11/2020 Finger  
 D912,621 S \* 3/2021 Qiu ..... D13/108  
 D917,039 S \* 4/2021 Chen ..... D24/108  
 D922,554 S \* 6/2021 Qin ..... D23/356  
 D927,681 S \* 8/2021 Shen ..... D24/110  
 D929,564 S \* 8/2021 Lee ..... D24/109

D939,688 S \* 12/2021 He ..... D24/109  
 D939,829 S \* 1/2022 Goldstein ..... D3/294  
 2007/0221220 A1\* 9/2007 Bright ..... A61M 16/0057  
 128/204.18  
 2009/0211571 A1\* 8/2009 Lu ..... A61M 11/02  
 128/200.21

OTHER PUBLICATIONS

[Nebulizer Machine for Kid and Adult, Nebulizer Machine with 1 Set Accessory, Jet Nebulizers Personal Steam Inhaler Cool Mist Compressor System for Kids Adults], available on ubuy.com.tr, Date First Available: Jul. 21, 2021 [online], Customer Review Oldest Date: Oct. 21, 2021 [online], site visited: [Jan. 11, 2022], URL: <<https://www.ubuy.com.tr/en/product/3NOB2XAQ8>>. (Year: 2021).\*

[High quality Medical Portable Pediatric Inhalator Medical Portable Nebulizer for nursing home], available on globalsources.com, Date First Available: Sep. 2, 2020 [online], site visited: [Jan. 11, 2022], URL: <<https://www.globalsources.com/Jet-nebulizer/Compressor-Nebulizer-Machine-1182160279p.htm>>. (Year: 2020).\*

\* cited by examiner

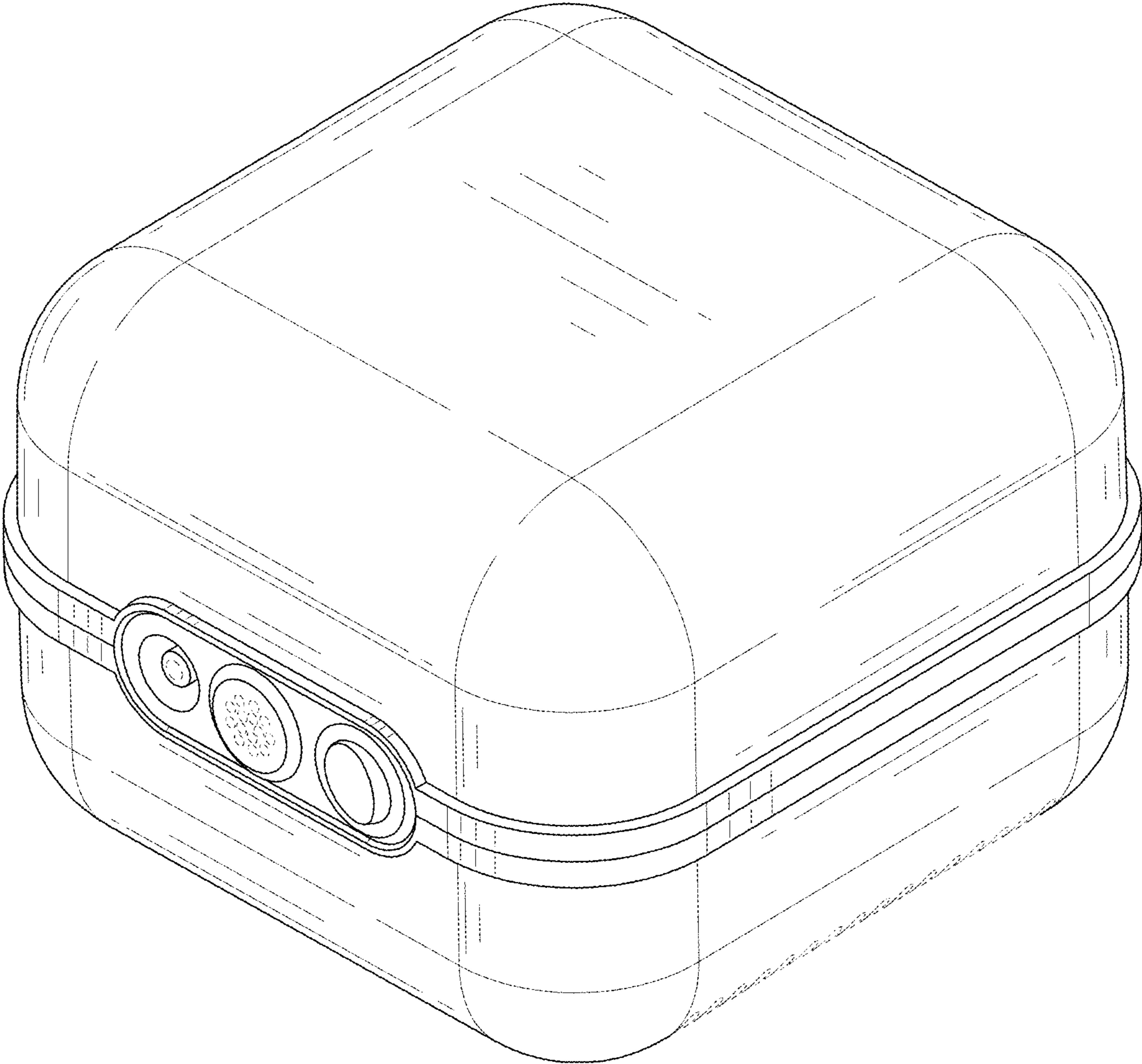


FIG. 1

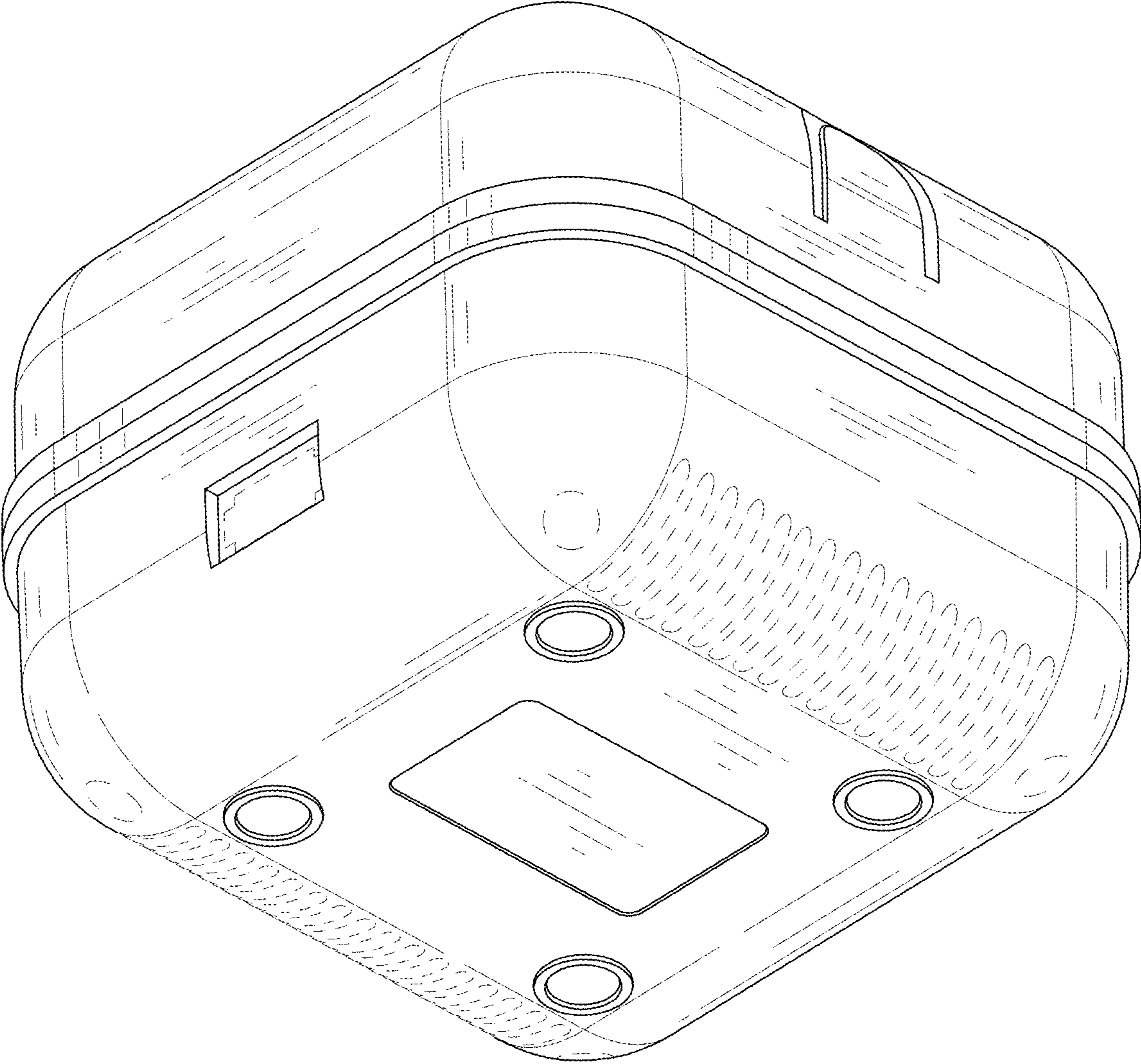


FIG. 2

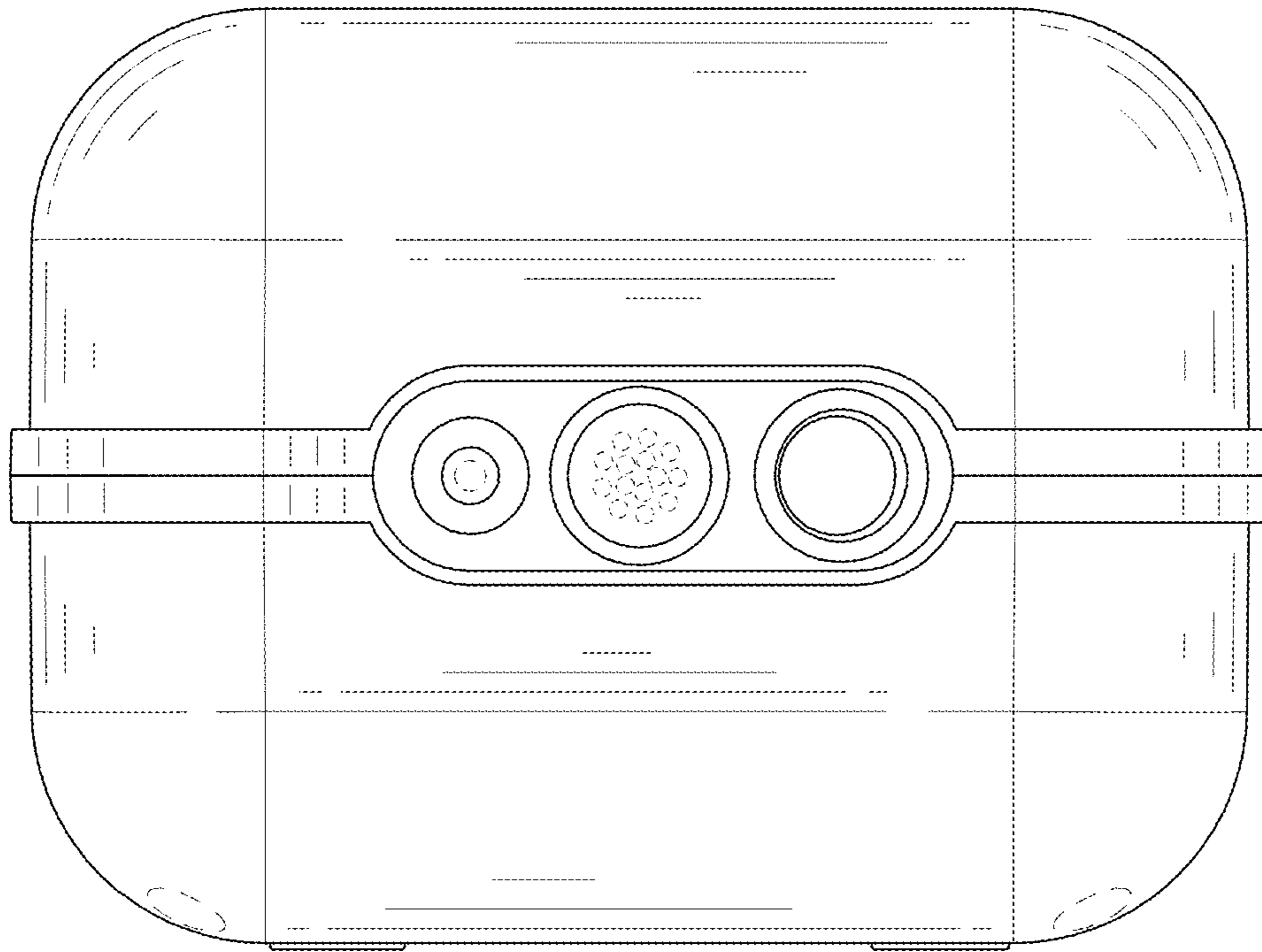


FIG. 3

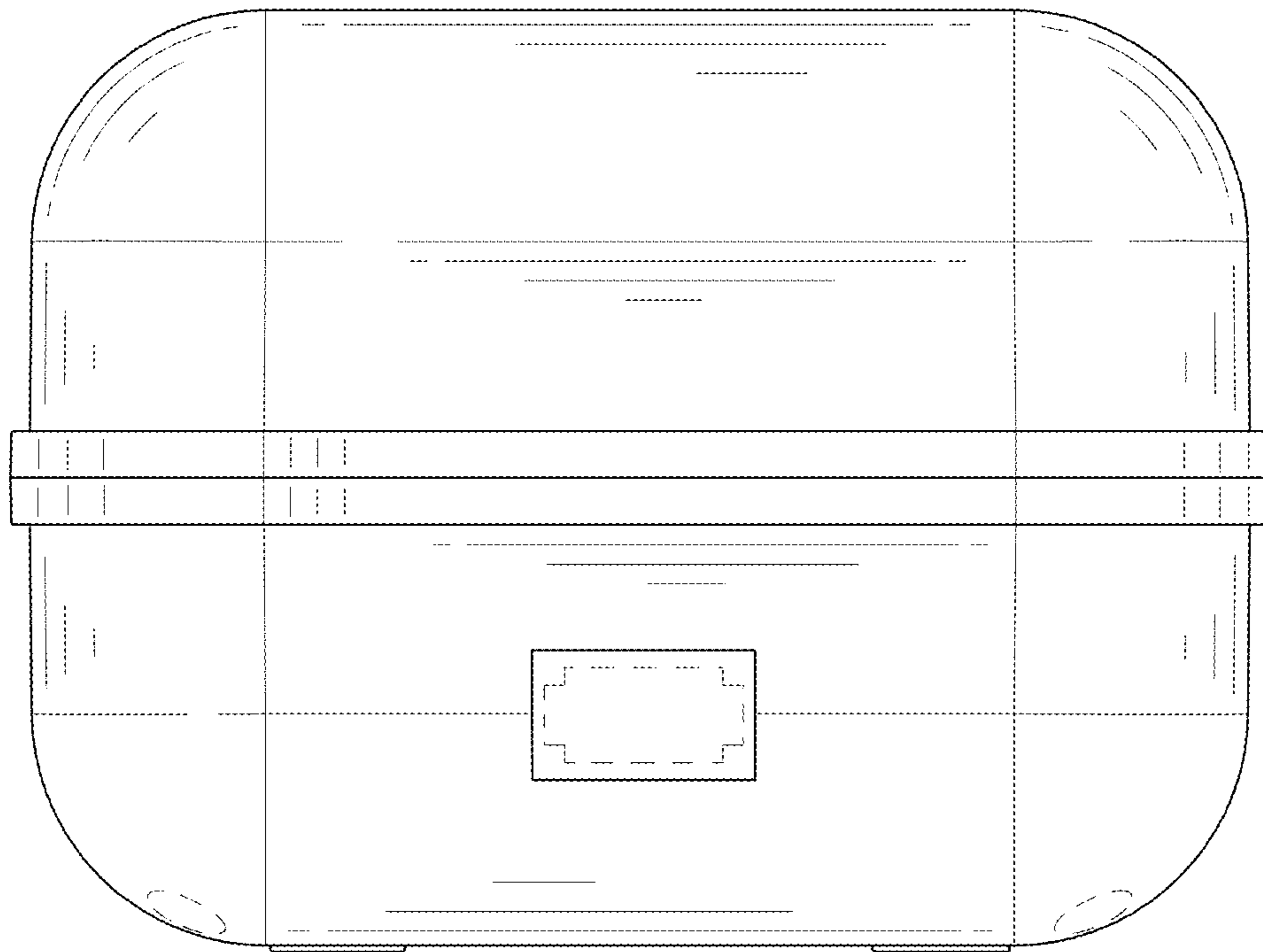


FIG. 4

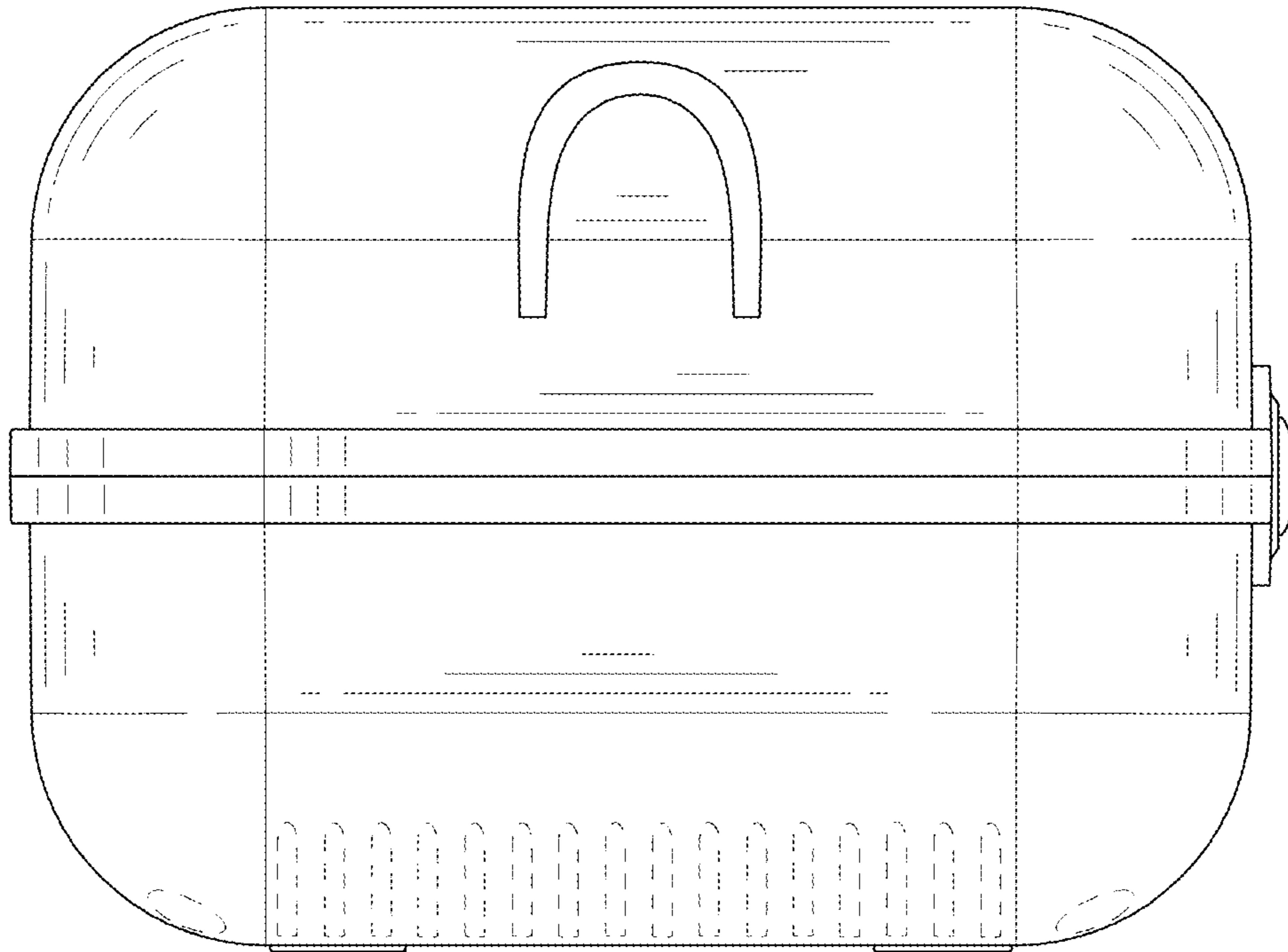


FIG. 5

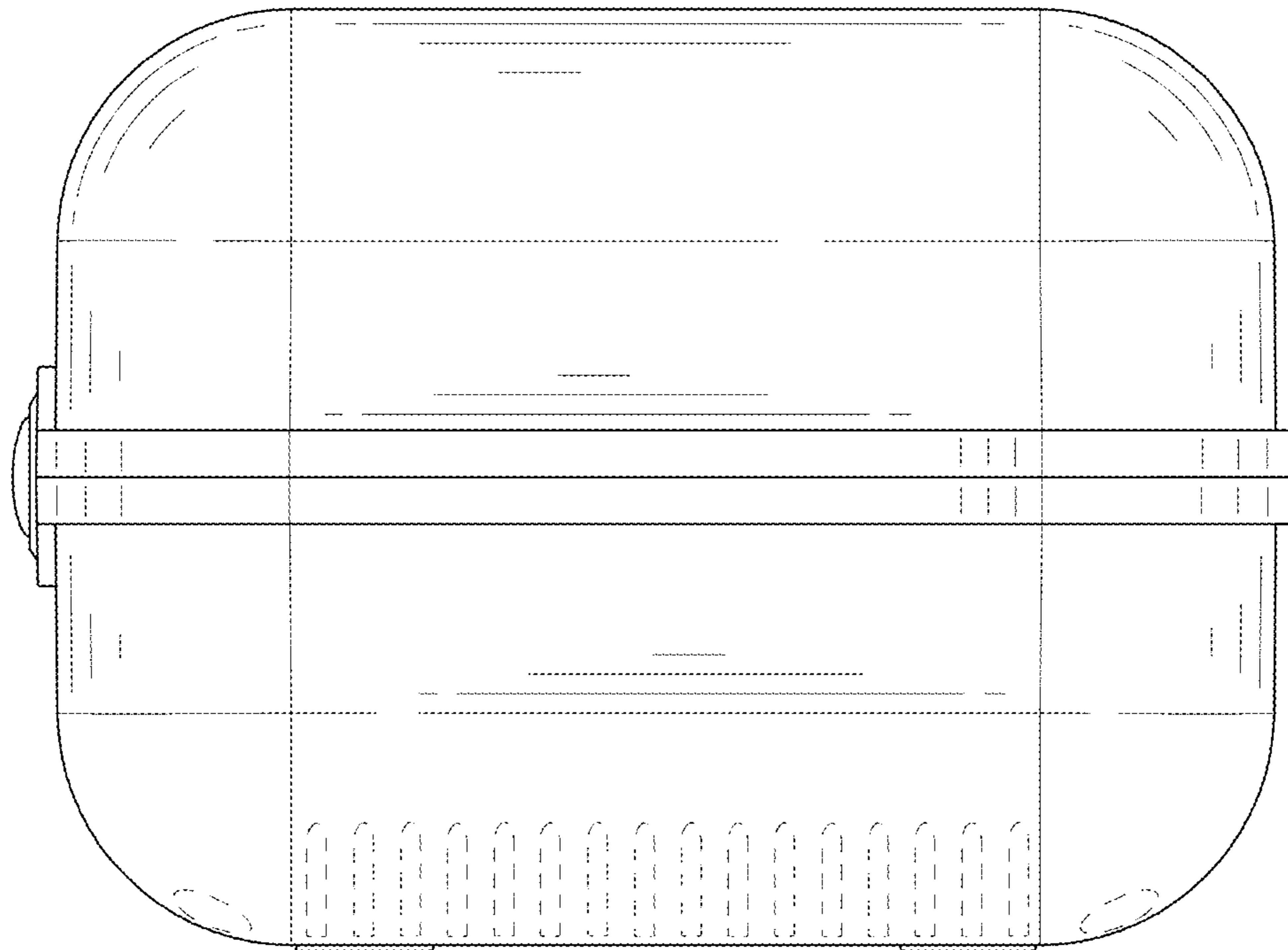


FIG. 6



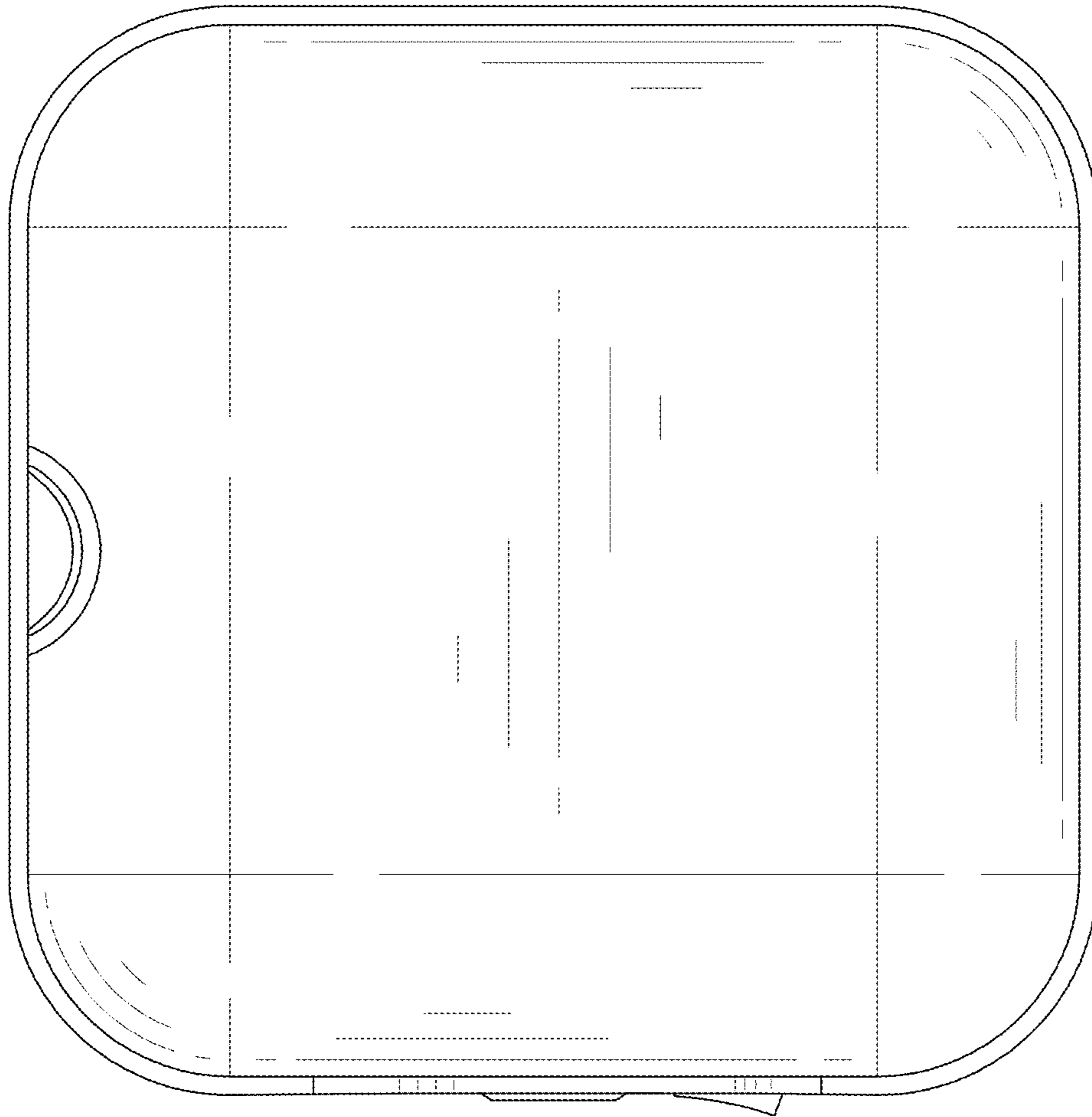


FIG. 7

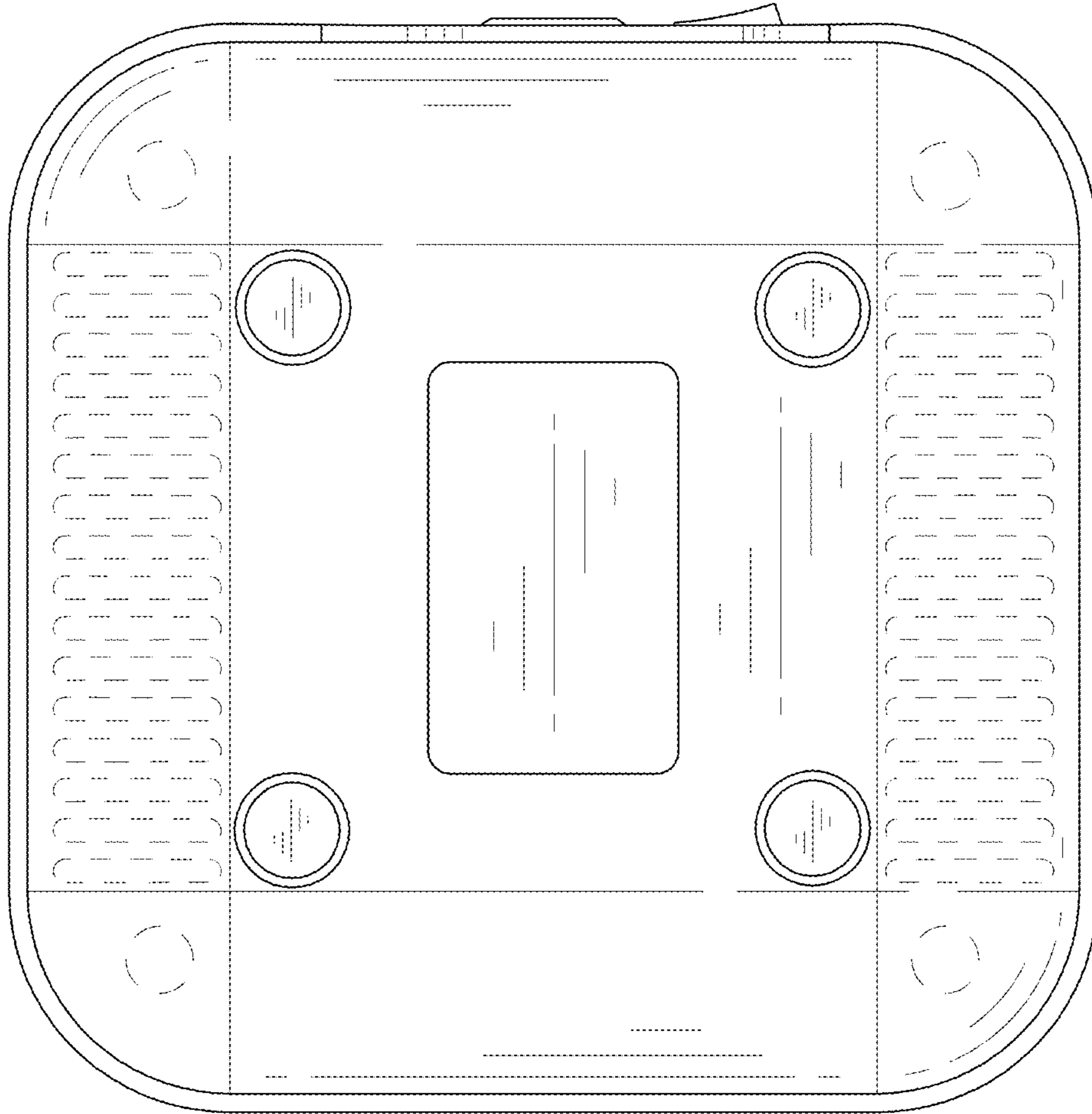


FIG. 8