

US00D947360S

(12) **United States Design Patent** (10) **Patent No.:** **US D947,360 S**
Cotton et al. (45) **Date of Patent:** **** Mar. 29, 2022**

(54) **MONITOR FOR AN INHALER**

FOREIGN PATENT DOCUMENTS

(71) Applicant: **Vectura Delivery Devices Limited,**
Wiltshire (GB)

CN 303586574 * 2/2016
IN 209126-0001 * 6/2018

(Continued)

(72) Inventors: **Darryl Cotton,** Wiltshire (GB); **Roger Clarke,** Wiltshire (GB); **John Deamer,** Wiltshire (GB); **Andreas Meliniotis,** Wiltshire (GB)

OTHER PUBLICATIONS

[Vectura Signs Global Agreement With Hikma to Develop Generic Versions of GSK's Ellipta® Portfolio], vectura.com, 2018 [online], [site visited Sep. 10, 2021], Internet URL: https://www.vectura.com/wp-content/uploads/2020/03/Vectura_Briefing_Document_19.12.18_v81.pdf (Year: 2018).*

(Continued)

(73) Assignee: **Vectura Delivery Devices Limited,**
Wiltshire (GB)

(**) Term: **15 Years**

Primary Examiner — Jonathan J Han

Assistant Examiner — Amanda J Berlinski

(21) Appl. No.: **29/734,931**

(22) Filed: **May 15, 2020**

(74) *Attorney, Agent, or Firm* — Davidson, Davidson & Kappel, LLC

(30) **Foreign Application Priority Data**

Nov. 18, 2019 (EM) 007255740

(51) **LOC (13) Cl.** **24-02**

(52) **U.S. Cl.**
USPC **D24/110; D24/127**

(58) **Field of Classification Search**
USPC D24/107, 108, 110, 110.5, 111, 113, 127,
D24/164, 167, 169, 185, 188, 217, 231,
D24/232; D28/66; D9/420, 422;
D10/70, 72; D3/201, 298, 218, 295, 273;
D7/630, 602; D19/69

CPC A61M 11/00; A61M 11/02; A61M 11/04;
A61M 15/00; A61M 15/0001; A61M
15/0068; A61M 15/008; A61M 15/0083;
A61M 15/0025; A61M 15/0026; A61M
15/0021; A61M 15/0091; A61M 15/0065

See application file for complete search history.

(56) **References Cited**

U.S. PATENT DOCUMENTS

D275,607 S * 9/1984 Blackman D24/188
D280,021 S * 8/1985 Rind D24/110

(Continued)

(57) **CLAIM**

The ornamental design for a monitor for an inhaler, as shown and described.

DESCRIPTION

FIG. 1 is a perspective view of a monitor for an inhaler from above and one side.

FIG. 2 is a perspective view of the device from below and other side.

FIG. 3 is a front view of the device.

FIG. 4 is a rear view of the device.

FIG. 5 is a side view of the device.

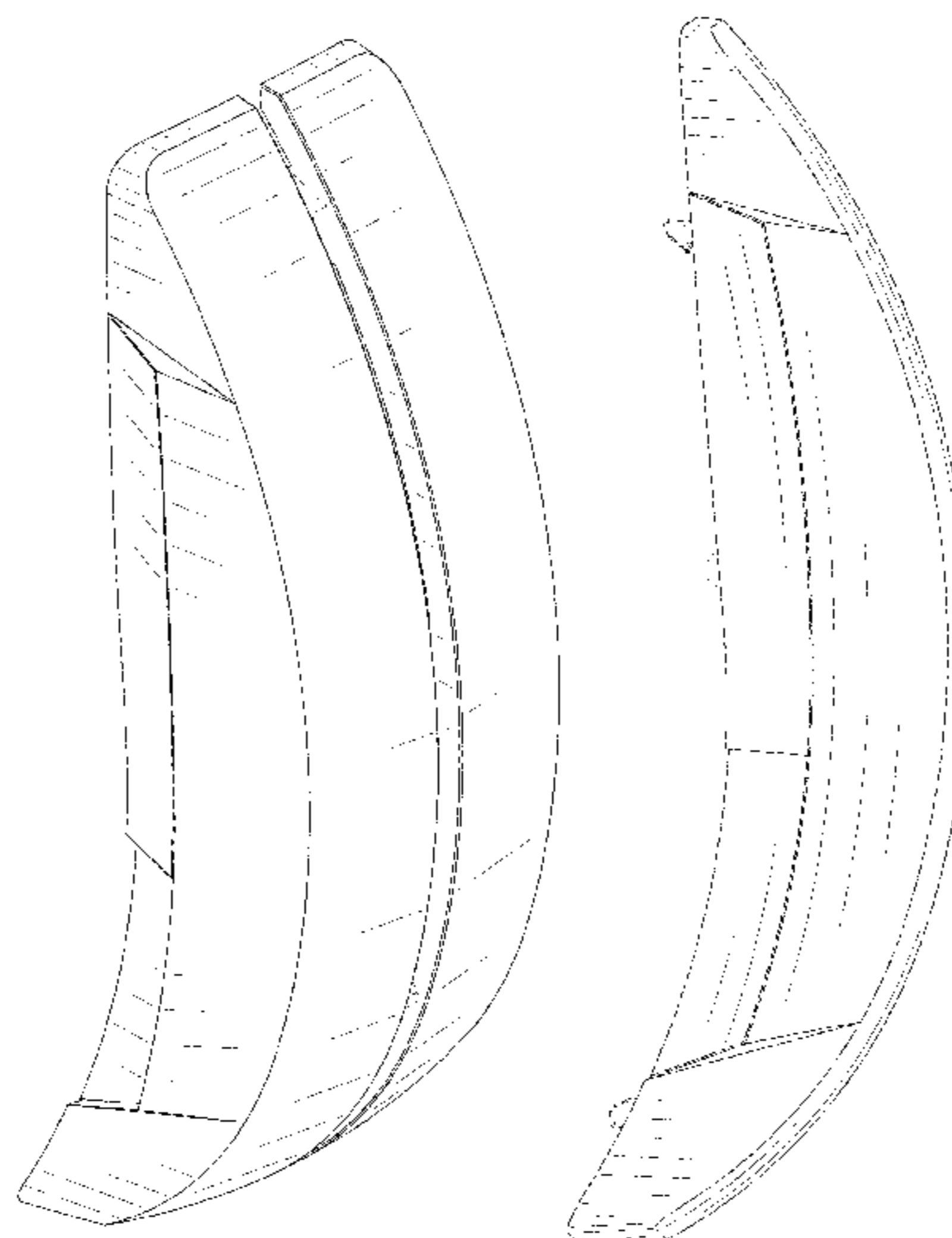
FIG. 6 is the other side view of the device.

FIG. 7 is a top plan view of the device; and,

FIG. 8 is a bottom plan view of the device.

The broken lines in the drawings show portions of the monitor for an inhaler that form no part of the claimed design.

1 Claim, 8 Drawing Sheets



(56)

References Cited

U.S. PATENT DOCUMENTS

D438,612 S * 3/2001 Suh D24/108
 D449,684 S * 10/2001 Christrup D24/110
 D480,474 S * 10/2003 Bowman D24/110
 D482,441 S * 11/2003 Dave D24/110
 D494,484 S * 8/2004 Bhavnani D10/70
 D533,268 S * 12/2006 Olfati D24/110
 D543,628 S * 5/2007 Cullen D24/155
 D581,522 S * 11/2008 Randolph D24/111
 D630,725 S * 1/2011 Pidgeon D24/108
 D687,536 S * 8/2013 Guarraia D24/108
 D720,449 S * 12/2014 Galbraith D24/111
 D766,423 S * 9/2016 Kim D24/111
 D770,037 S * 10/2016 Schleicher D24/111
 D774,178 S * 12/2016 Van Sickle D24/110
 D783,899 S * 4/2017 Roh D28/36
 D808,515 S * 1/2018 Atkin D24/110
 D813,374 S * 3/2018 Bjelovuk D24/108
 D827,027 S * 8/2018 Boisdevesys D19/67
 D837,969 S * 1/2019 Sutherland D24/110
 D842,454 S * 3/2019 Rudolph D24/110
 D861,852 S * 10/2019 Sutherland D24/110
 D882,063 S * 4/2020 Sutherland D24/110
 D882,939 S * 5/2020 Hu D3/201
 D901,984 S * 11/2020 Lakatos D7/602
 D909,583 S * 2/2021 Kim D24/164
 11,071,836 B2 * 7/2021 Koblenski A61B 7/003
 D928,341 S * 8/2021 Thimm D24/217
 2007/0023034 A1 * 2/2007 Jongejan A61M 15/009
 128/200.14
 2008/0135575 A1 * 6/2008 Ingram G06M 1/163
 222/36
 2014/0123975 A1 * 5/2014 Sugianto A61M 15/0091
 128/200.23
 2014/0182584 A1 * 7/2014 Sutherland A61M 15/0071
 128/200.23
 2015/0020798 A1 * 1/2015 Elgaard A61M 15/0071
 128/200.23
 2015/0235548 A1 * 8/2015 Engelhard G08B 21/24
 222/1
 2016/0144141 A1 * 5/2016 Biswas A61M 15/009
 128/200.23
 2016/0325057 A1 * 11/2016 Morrison A61M 15/0026
 2017/0087312 A1 * 3/2017 Shears A61M 15/0083
 2017/0157345 A1 * 6/2017 Panjabi G06M 1/083
 2017/0246406 A1 * 8/2017 Sutherland A61M 15/008
 2018/0369514 A1 * 12/2018 Adelson A61M 15/009

FOREIGN PATENT DOCUMENTS

JP D1436687 * 3/2012
 JP D1613750 * 9/2018
 KR 3010928990003 * 4/2021
 KR 3010928990004 * 4/2021
 KR 3010928990005 * 4/2021

OTHER PUBLICATIONS

[Vectura Expands Dry Powder Inhaler Development and Manufacturing Capabilities at its Facility in Chippenham, U.K.], vectura.com, 2021 [online], [site visited Sep. 10, 2021], Internet URL: <https://www.vectura.com/about/news/vectura-expands-dry-powder-inhaler-development-and-manufacturing-capabilities-at-its-facility-in-chippenham-u-k/> (Year: 2021).*

[This AI-Powered Asthma Inhaler Keeps Tabs on Your Dose so You Don't Have To], arm.com, Nov. 14, 2018 [online], [site visited Oct. 7, 2021], Internet URL: <https://www.arm.com/blogs/blueprint/video/ai-asthma-inhaler-keeps-tabs-dose> (Year: 2018).*

[Asthma patients breathe easier with new bluetooth inhalers], pbs.org, May 10, 2017 [online], [site visited Oct. 7, 2021], Internet URL: <https://www.pbs.org/newshour/health/asthma-patients-breathe-easier-new-bluetooth-inhalers> (Year: 2017).*

[Adherium receives OTC clearance for AstraZeneca's Symbicort inhaler], by Dave Muoio, mobihealthnews.com, Apr. 2, 2018 [online], [site visited Nov. 16, 2020], Internet URL: <https://www.mobihealthnews.com/content/adherium-receives-otc-clearance-astrazenecas-symbicort-inhaler> (Year: 2018).*

[Smart Inhalers Market Share, Trends and Growth Analysis by Type, Application, Regional Demand, Covid 19/Coronavirus impact and Forecast to 2025], medgadget.com, Jul. 15, 2020 [online], [site visited Nov. 16, 2020], Internet URL: <https://www.medgadget.com/2020/07/smart-inhalers-market-share-trends-and-growth-analysis-by-type-application-regional-demand-covid19-coronavirus-impact-and-forecast-to-2025.html> (Year: 2020).*

[AstraZeneca embracing smart inhalers for asthma tracking & medication adherence], by Satish Misra, imedicalapps.com, Aug. 21, 2015 [online], [site visited Oct. 7, 2021], Internet URL: <https://www.imedicalapps.com/2015/08/asthma-smart-inhaler-astrazenca-adherium/> (Year: 2015).*

* cited by examiner

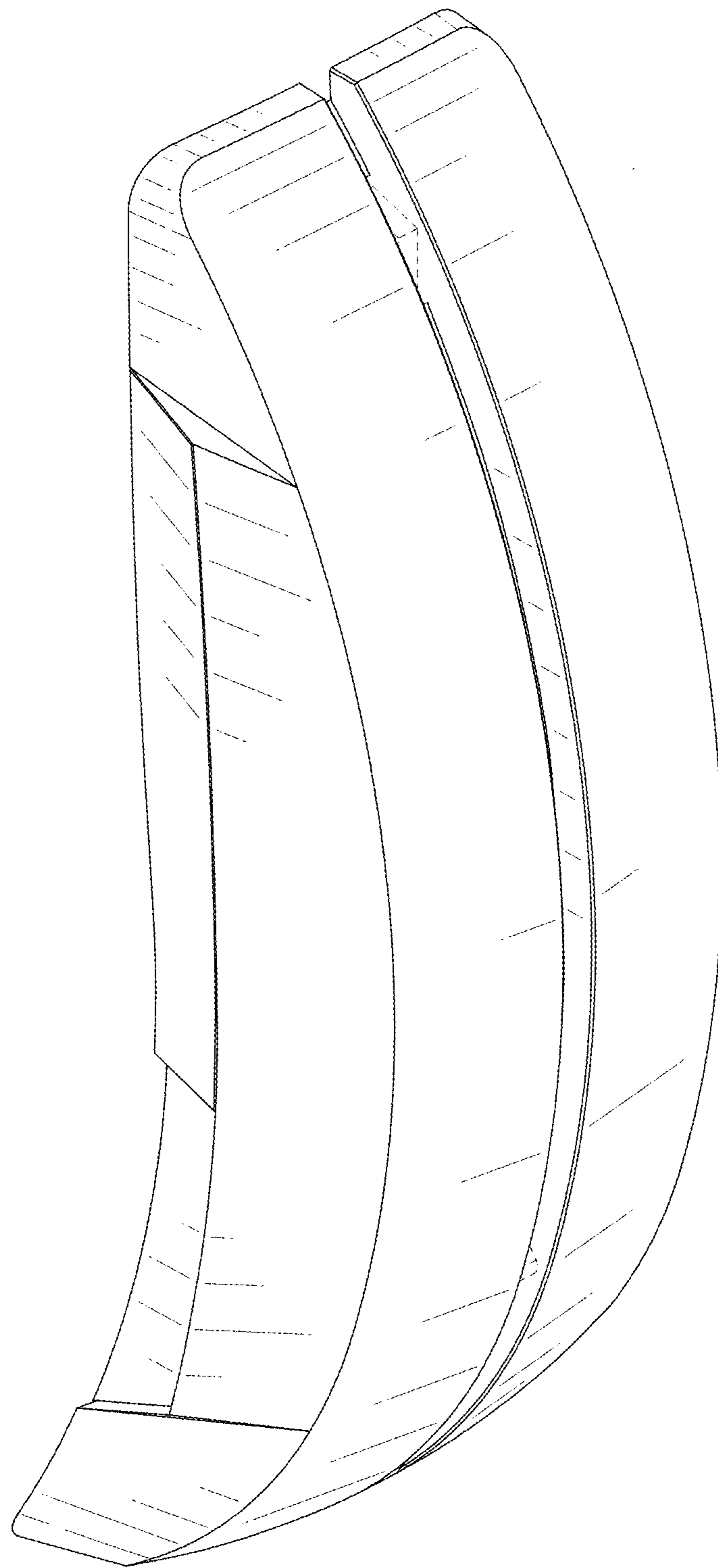


FIG. 1

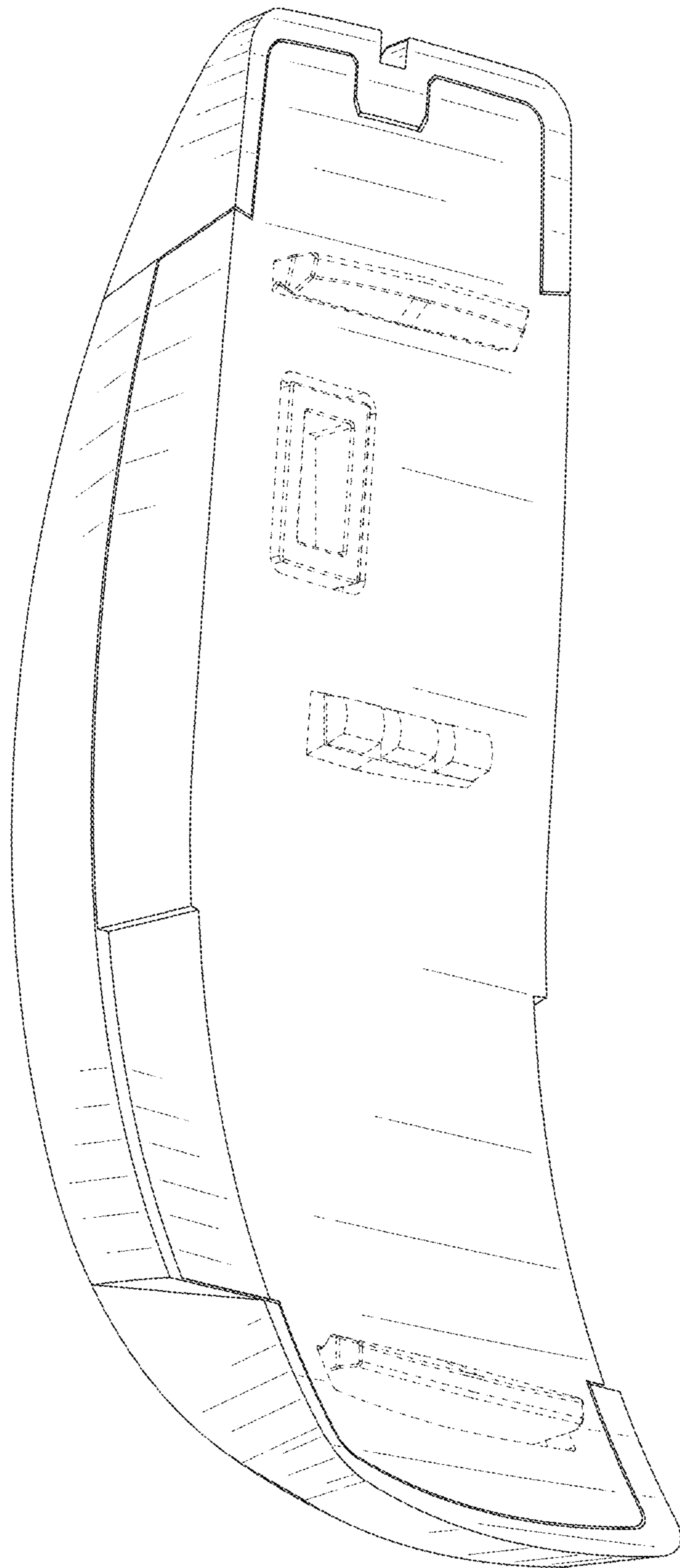


FIG. 2

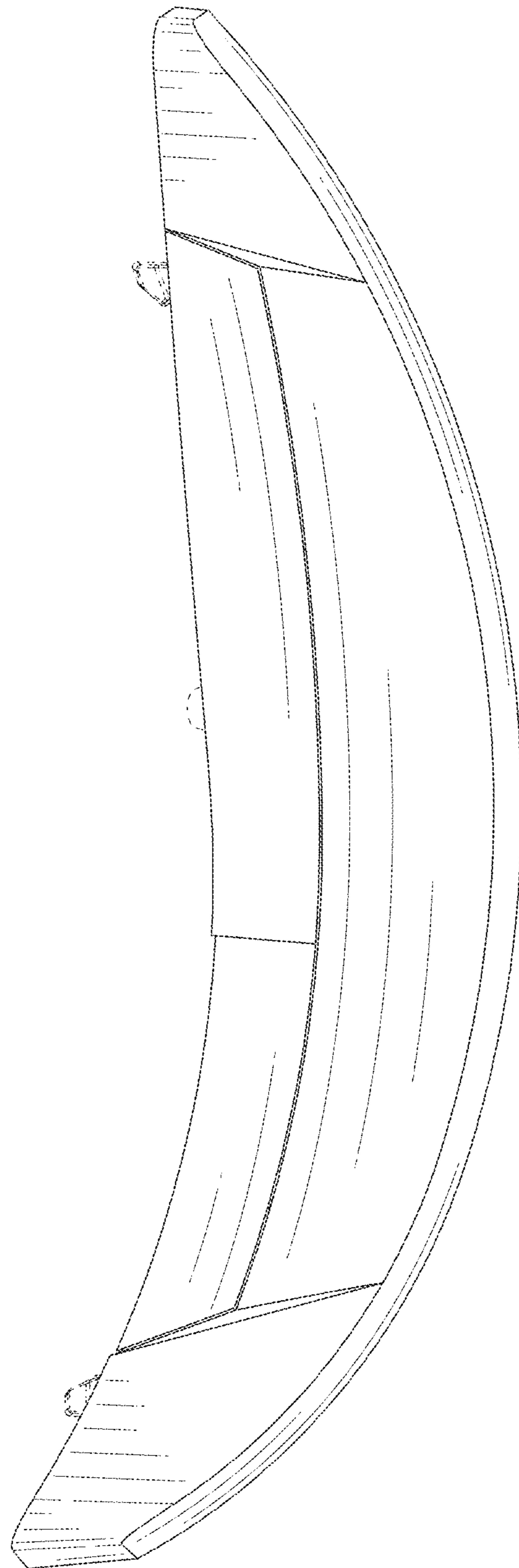


FIG. 3

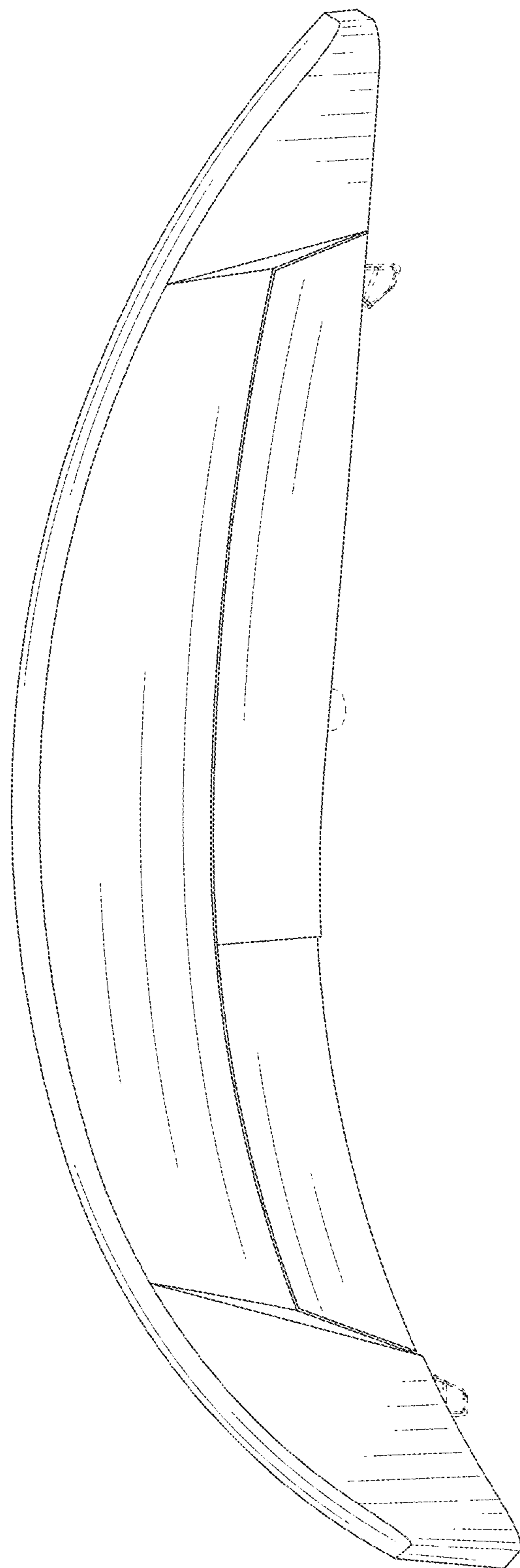


FIG. 4

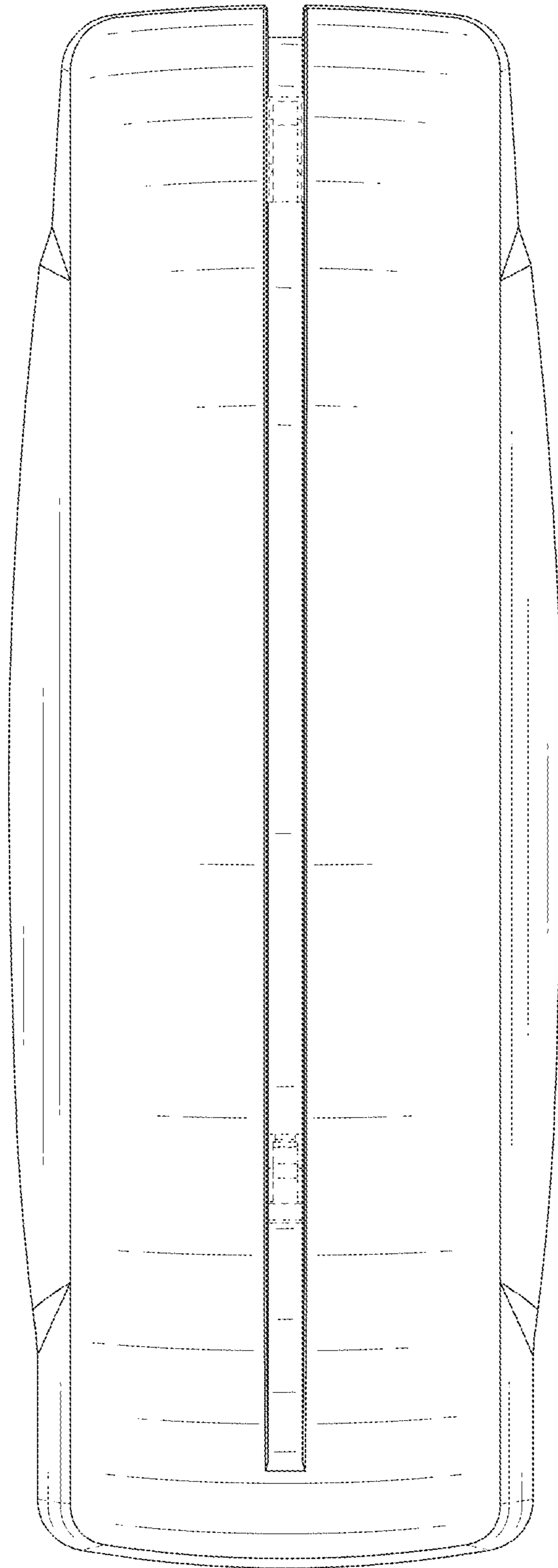


FIG. 5

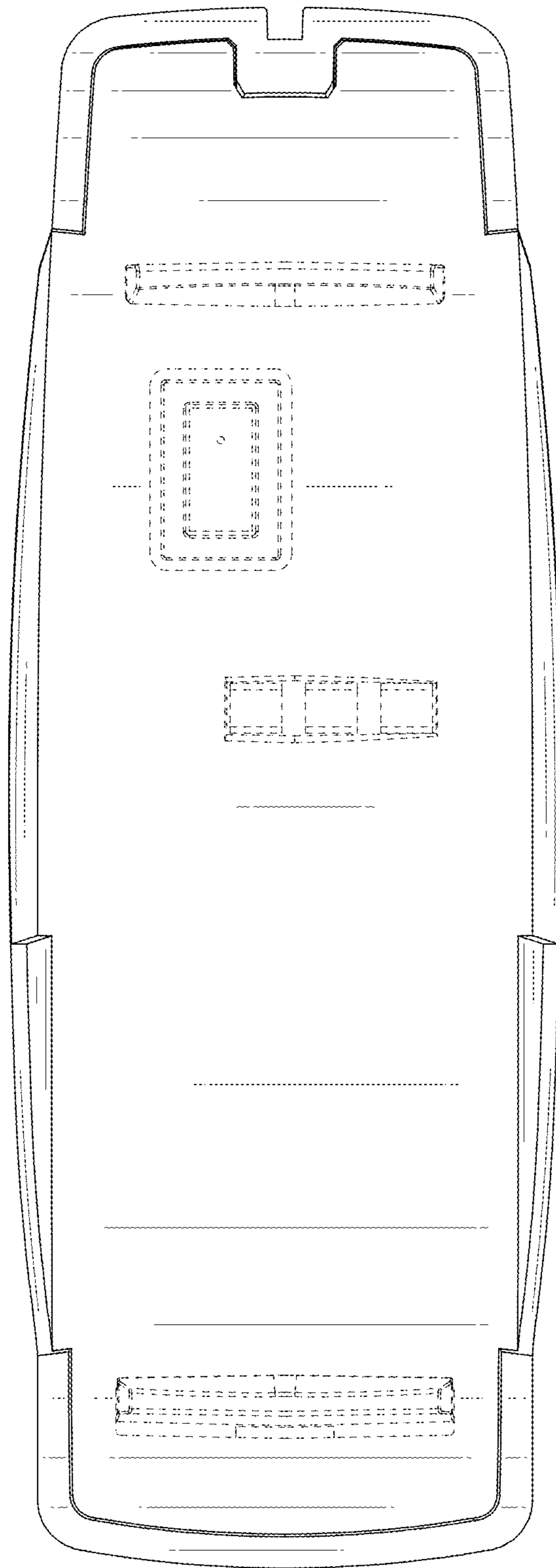


FIG. 6

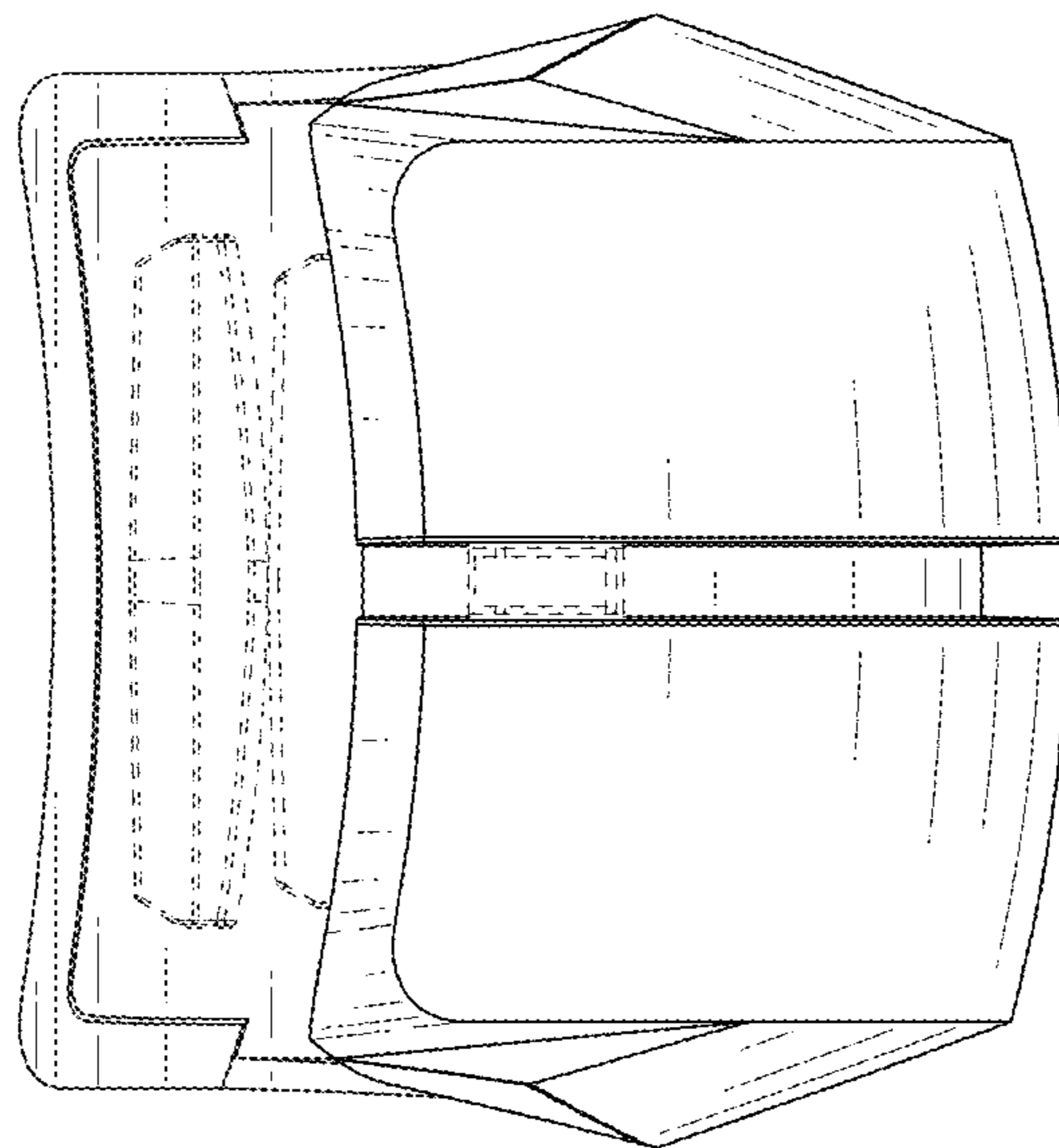


FIG. 7

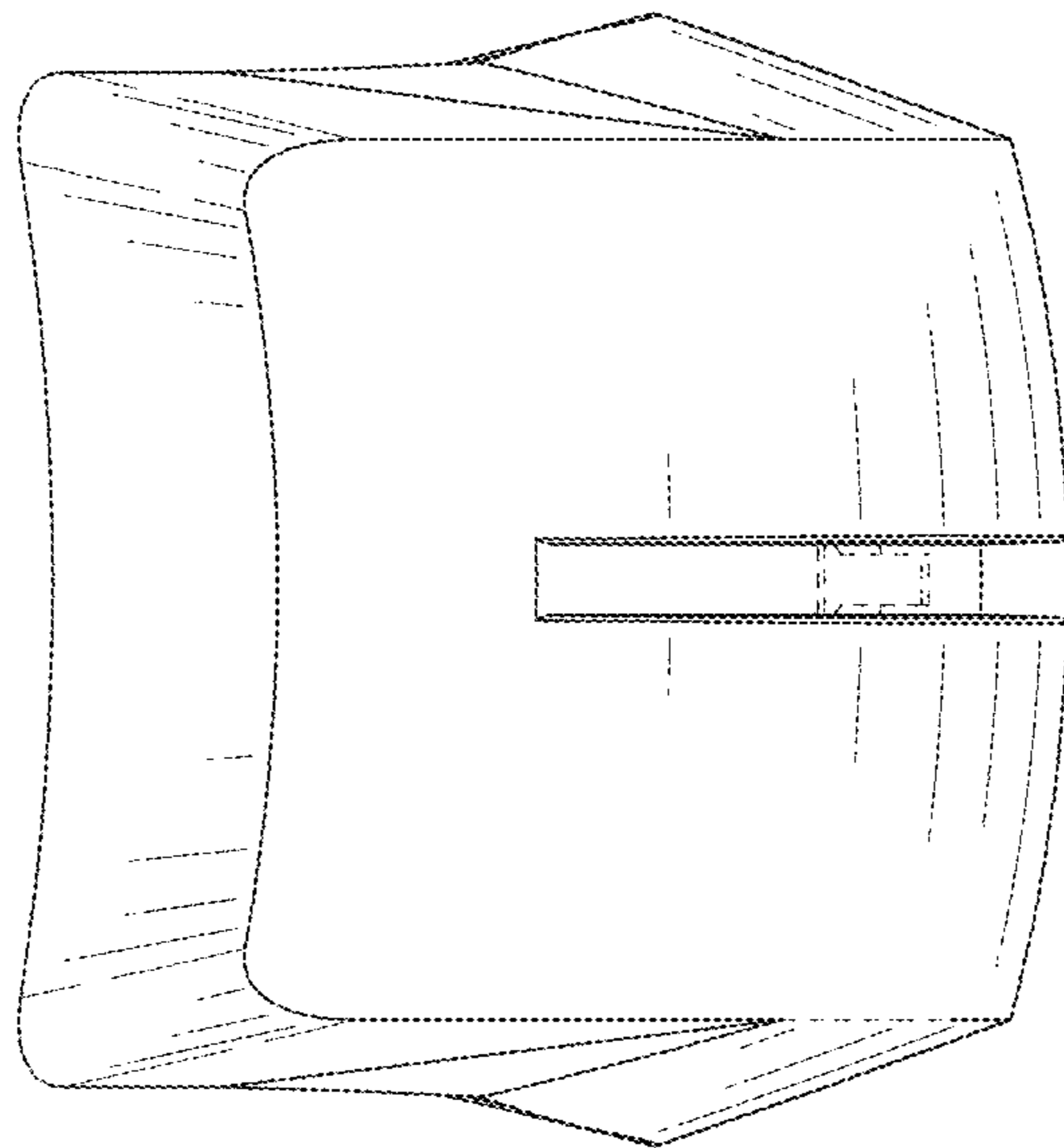


FIG. 8