



US00D947357S

(12) **United States Design Patent**
Chen et al.

(10) **Patent No.:** **US D947,357 S**

(45) **Date of Patent:** **** Mar. 29, 2022**

- (54) **CEILING FAN BLADE HOLDER**
- (71) Applicants: **Chia-Teh Chen**, Taipei (TW); **Luminex International Co., Ltd.**, Mahe (SC)
- (72) Inventors: **Chia-Teh Chen**, Taipei (TW); **Meng-Chu Lee**, Taipei (TW)
- (73) Assignees: **Chia-Teh Chen**, Taipei (TW); **Luminex International Co., Ltd.**, Mahe (SC)
- (**) Term: **15 Years**
- (21) Appl. No.: **29/715,180**
- (22) Filed: **Nov. 28, 2019**
- (51) **LOC (13) Cl.** **23-03**
- (52) **U.S. Cl.**
USPC **D23/411; D23/377**
- (58) **Field of Classification Search**
USPC D23/370, 377, 379, 385, 411; D8/349, D8/354
CPC F04D 25/088; F04D 29/38; F04D 29/384; F04D 29/386; F04D 29/34
See application file for complete search history.

- D814,622 S * 4/2018 Gajewski D23/377
- D819,799 S 6/2018 Wang
- D835,255 S * 12/2018 Jones D23/411
- D874,246 S * 2/2020 Stekr D8/354
- D874,248 S * 2/2020 Stekr D8/354
- D905,786 S * 12/2020 Vitale D16/242
- D910,827 S * 2/2021 Chen D23/377
- D911,513 S * 2/2021 Chen D23/413

* cited by examiner

Primary Examiner — Sharon S Oum

(74) *Attorney, Agent, or Firm* — Li & Cai Intellectual Property Office

(57) **CLAIM**

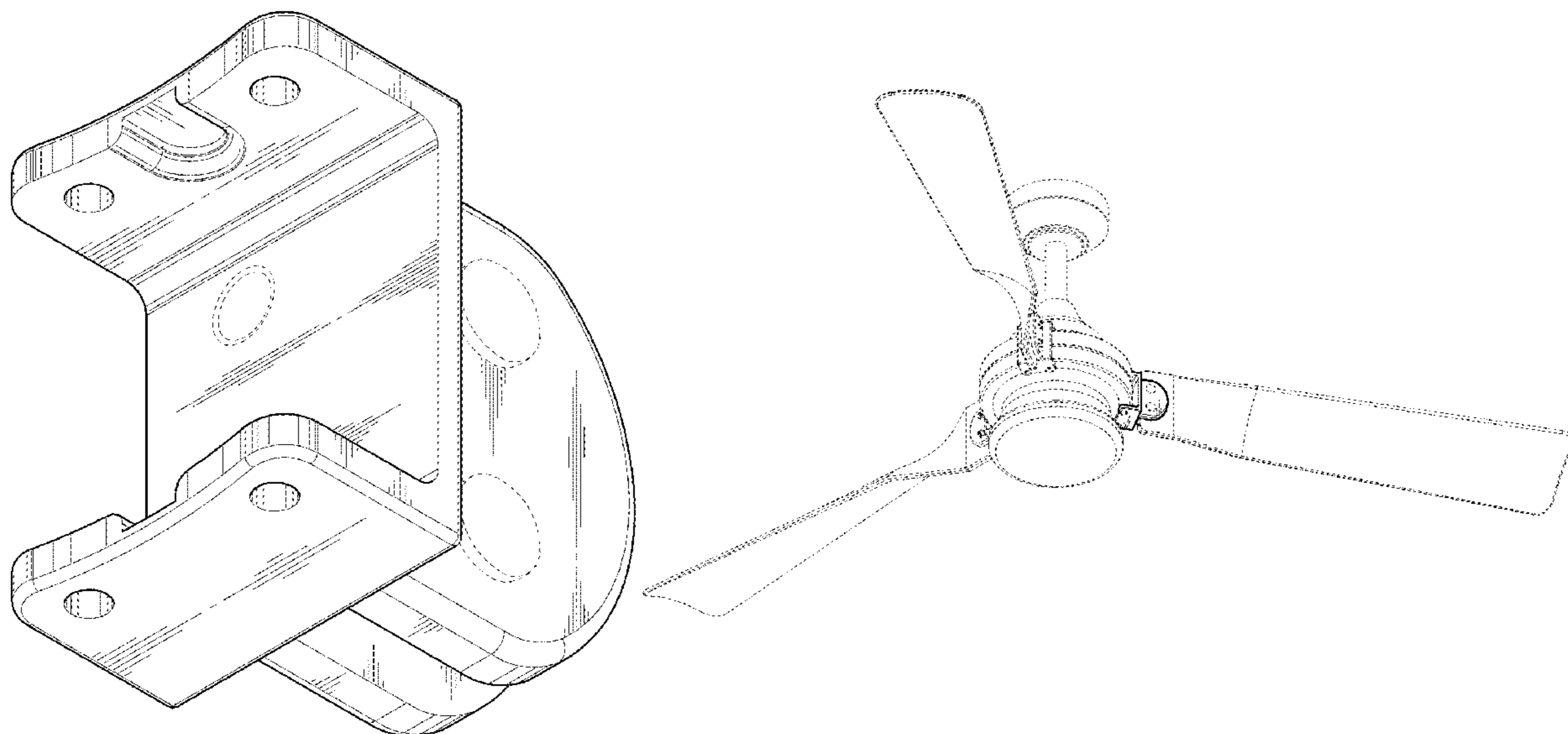
The ornamental design for a ceiling fan blade holder, as shown and described.

DESCRIPTION

FIG. 1 is a front and top perspective view of a ceiling fan blade holder showing our new design;
 FIG. 2 is a front elevational view thereof;
 FIG. 3 is a rear elevational view thereof;
 FIG. 4 is a left side elevational view thereof;
 FIG. 5 is a right side elevational view thereof;
 FIG. 6 is a top plan view thereof;
 FIG. 7 is a bottom plan view thereof;
 FIG. 8 is a rear and bottom perspective view thereof; and,
 FIG. 9 is a perspective view thereof, but shown in the environment of a ceiling fan.

The broken lines depict portions of the ceiling fan blade holder and the ceiling fan environment that form no part of the claimed design.

1 Claim, 9 Drawing Sheets



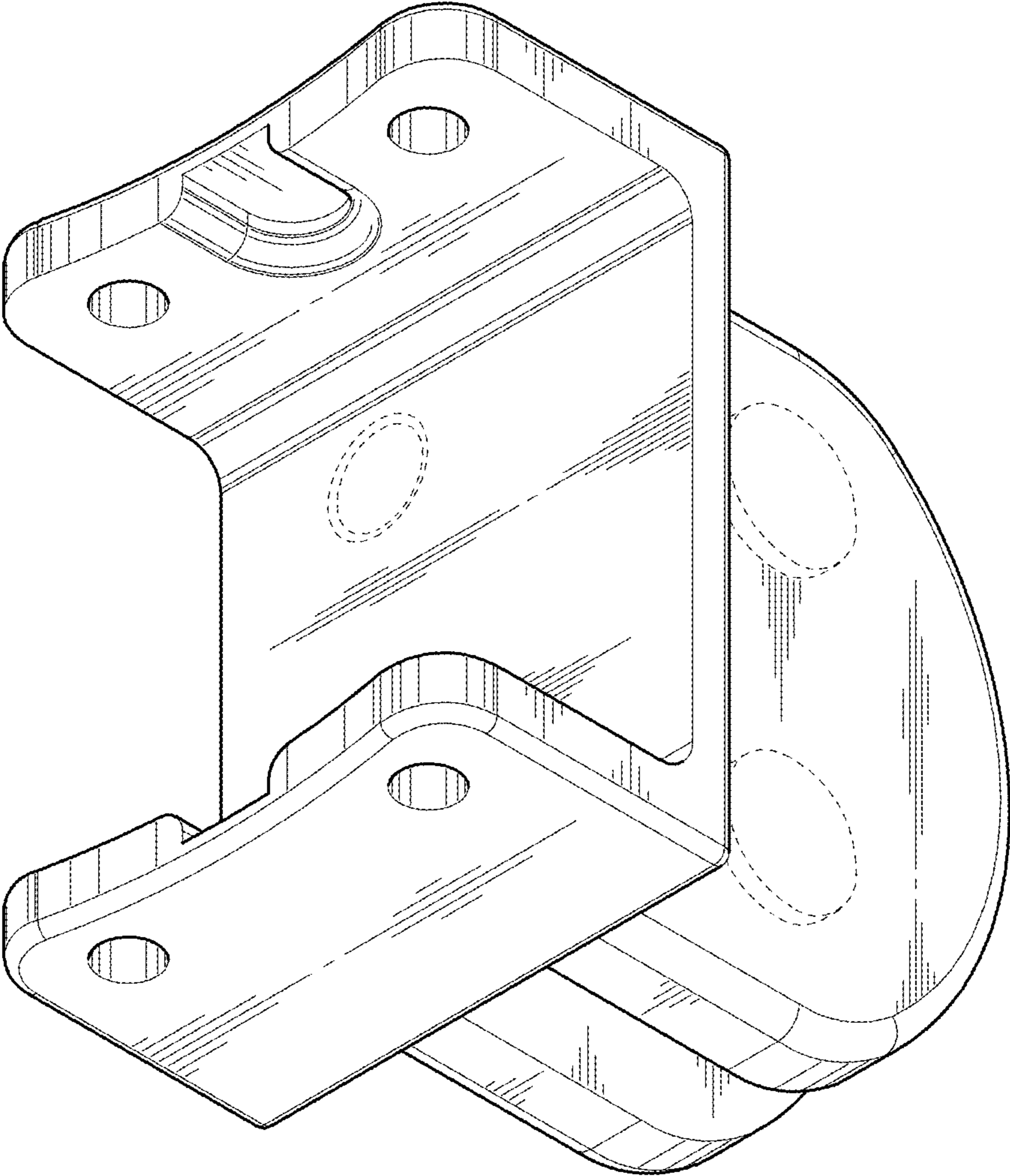


FIG. 1

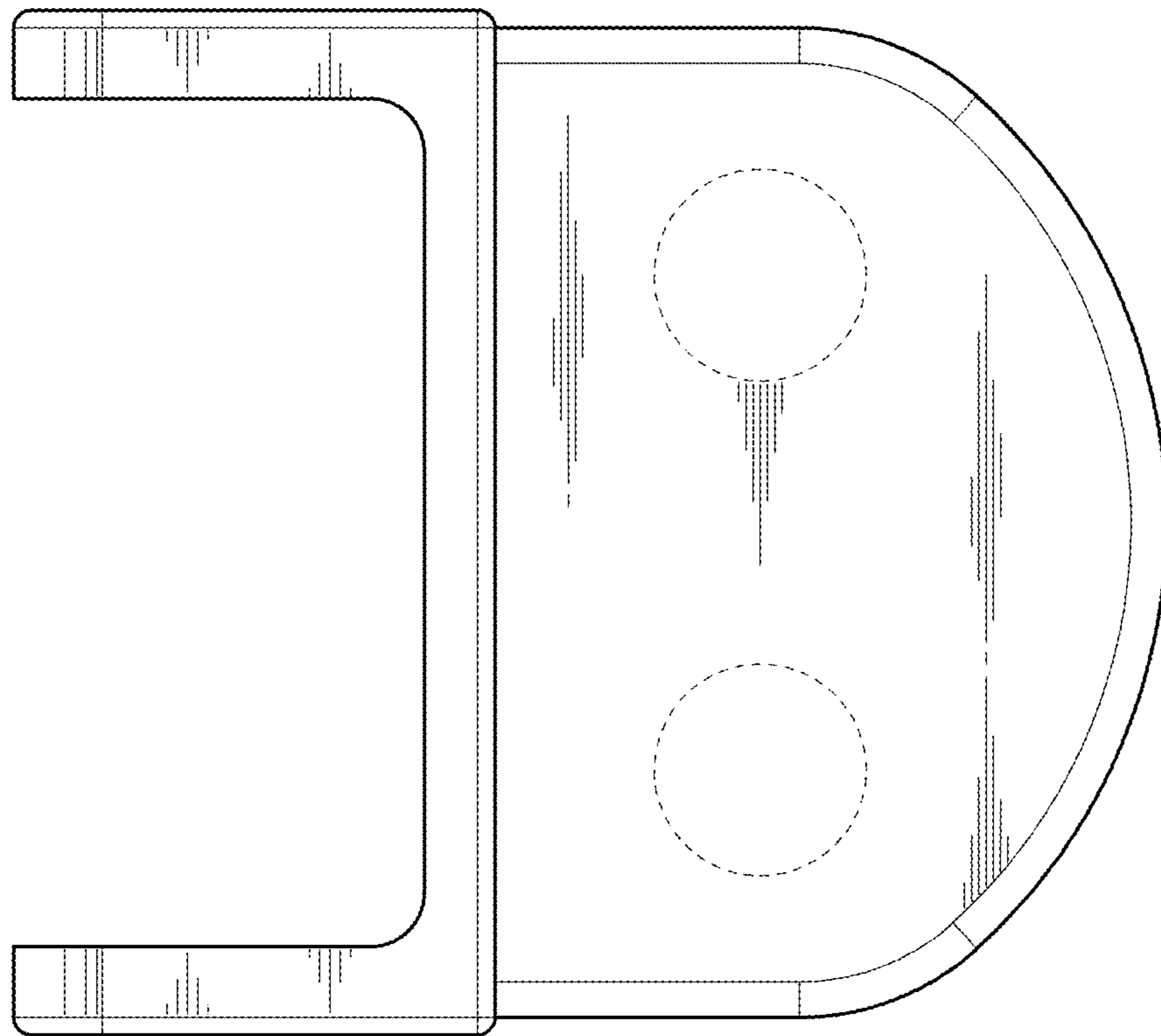


FIG. 2

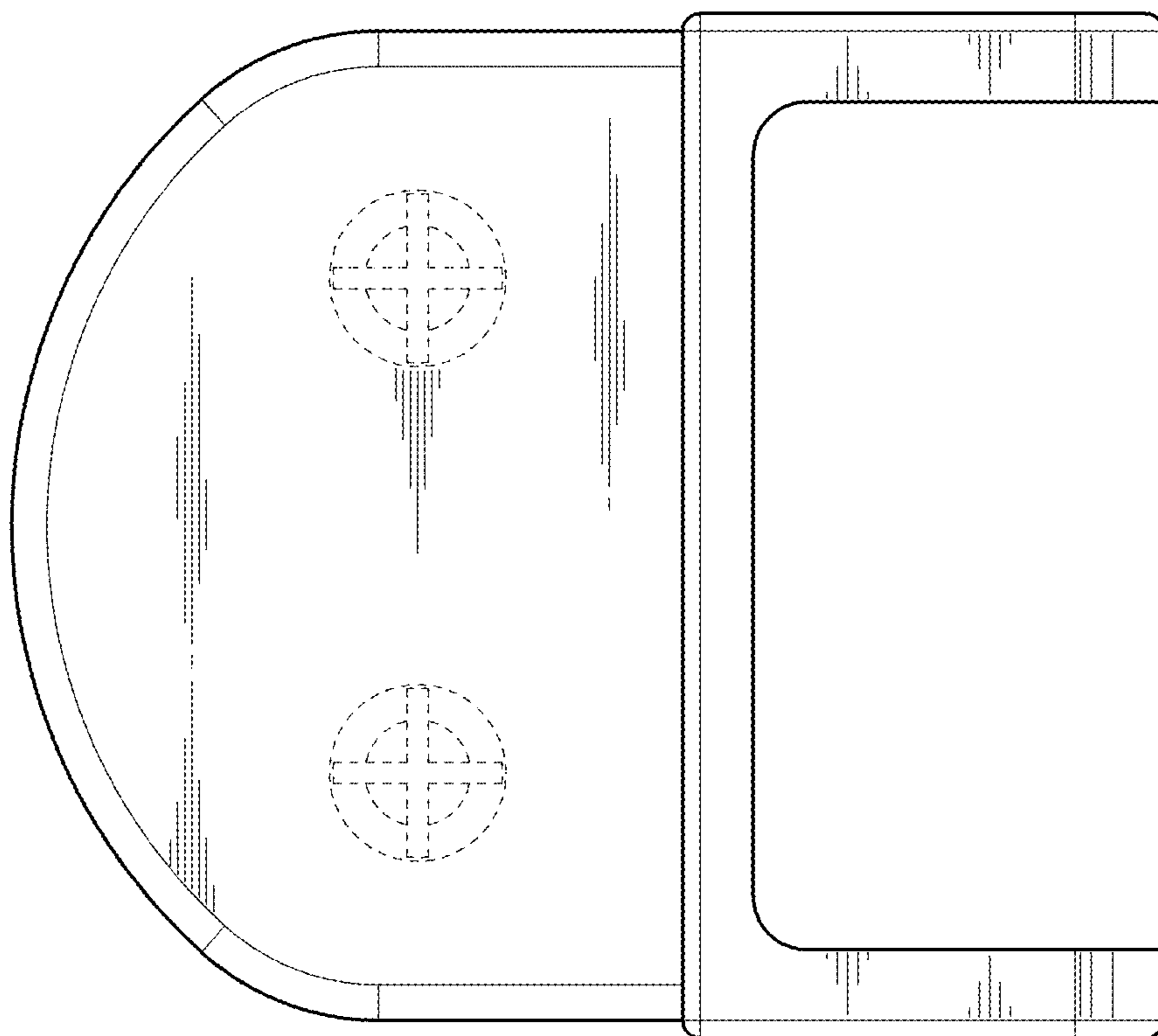


FIG. 3

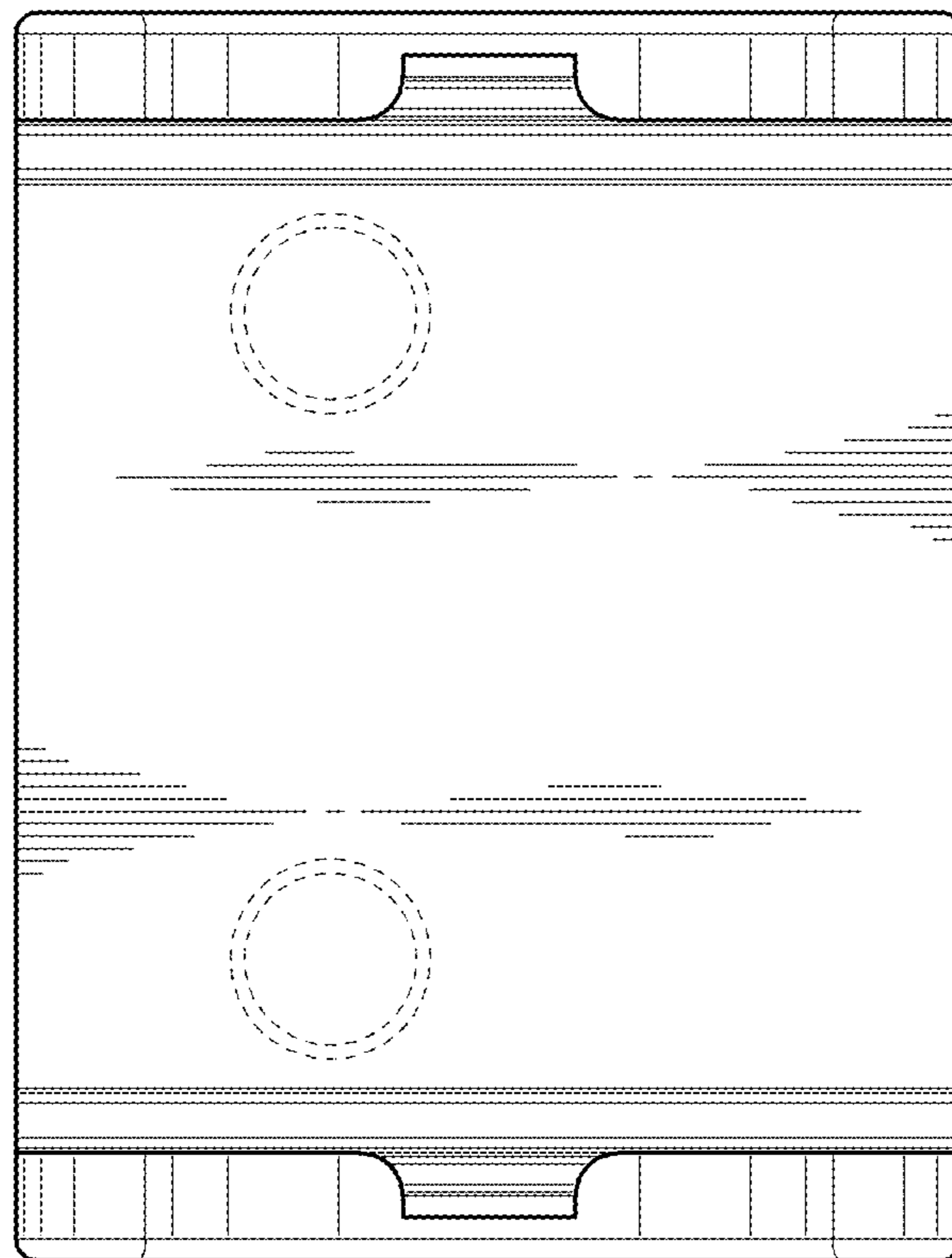


FIG. 4

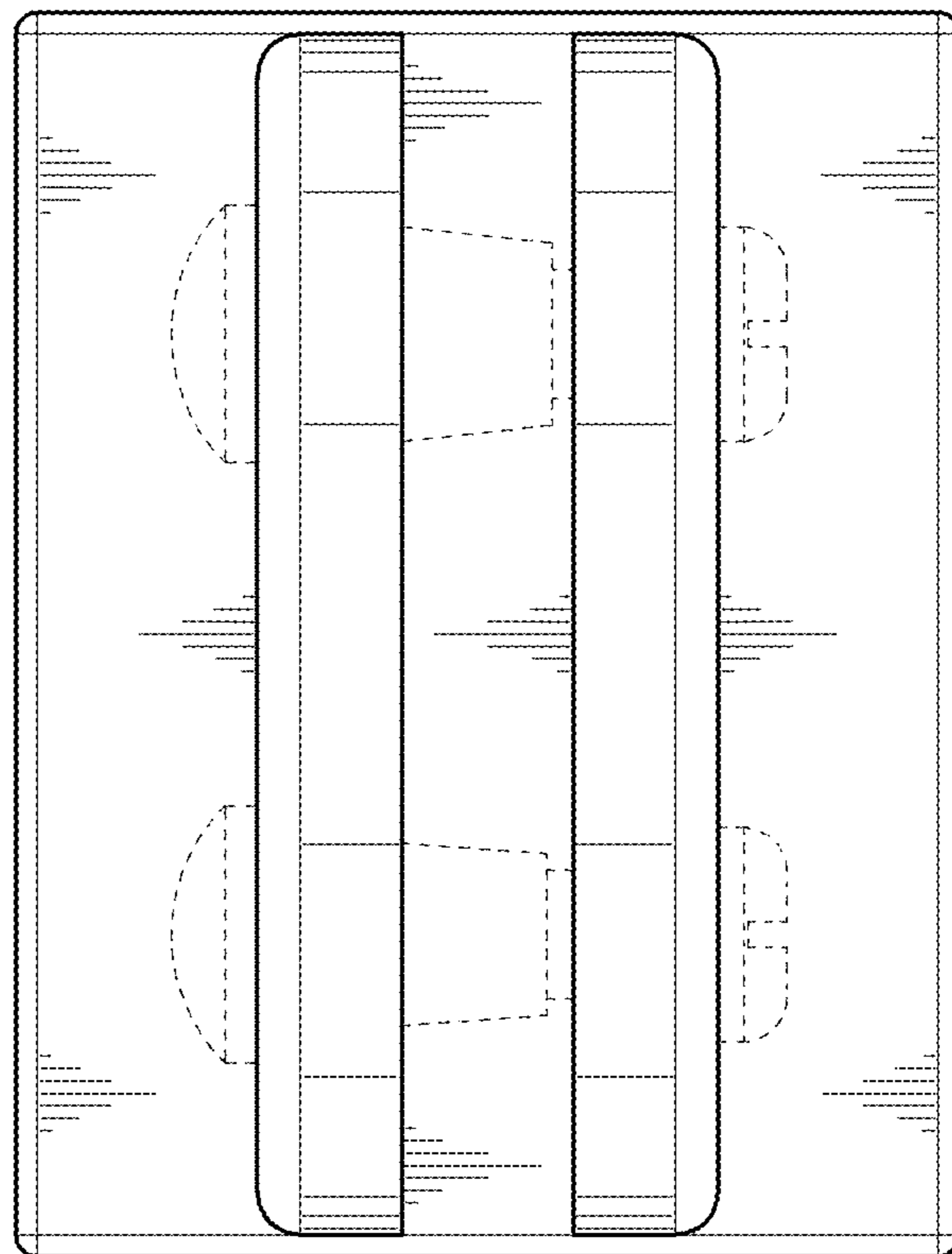


FIG. 5

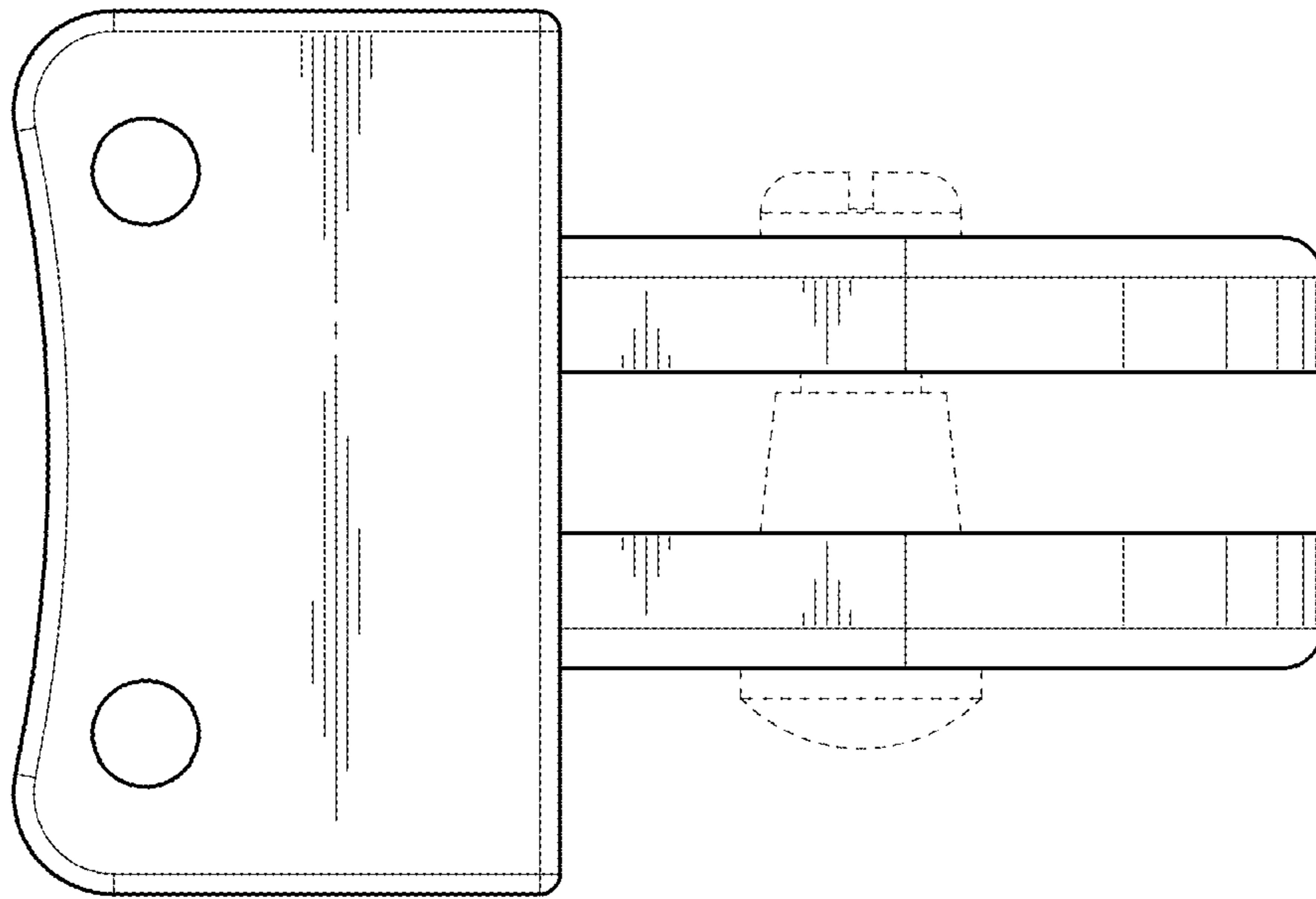


FIG. 6

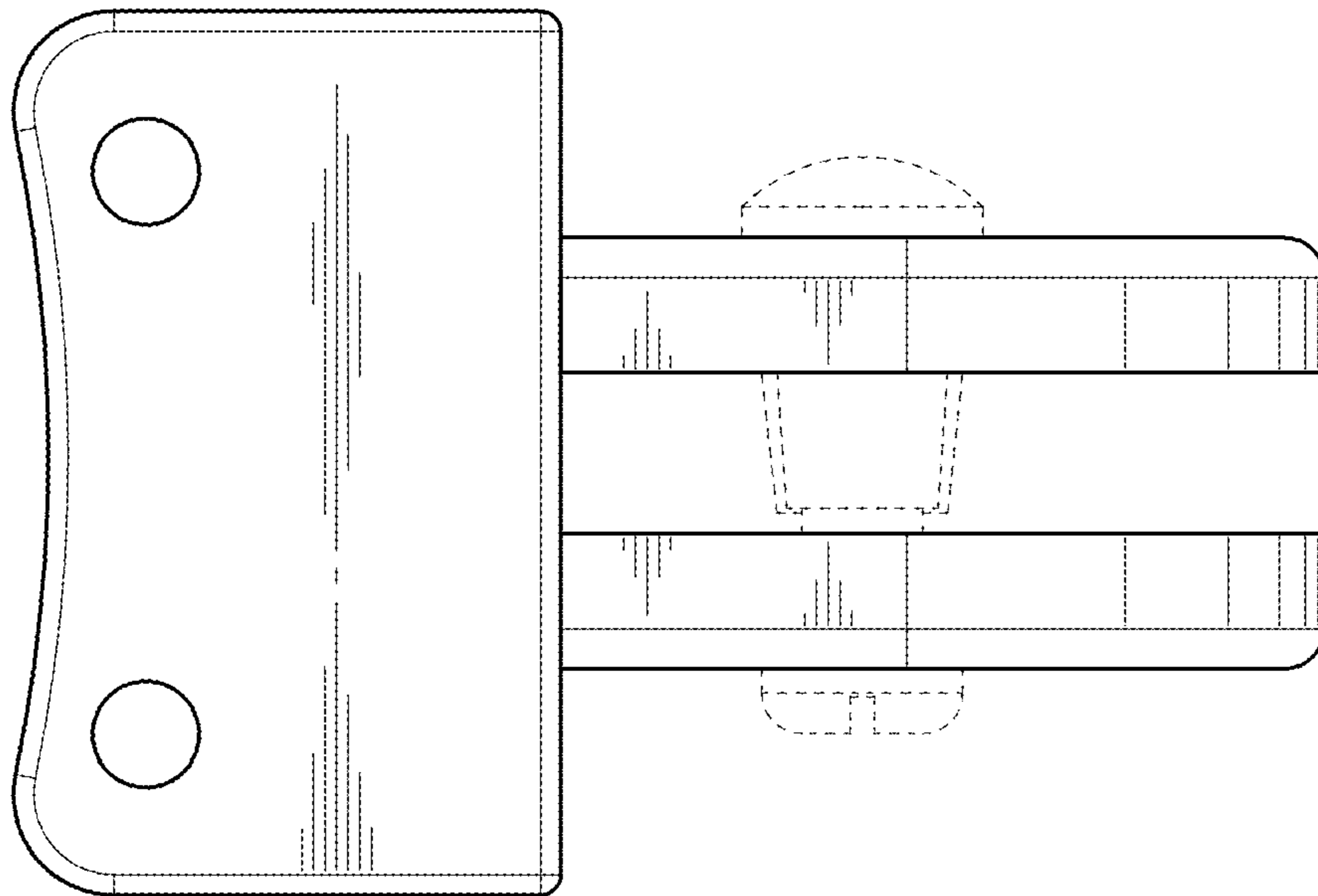


FIG. 7

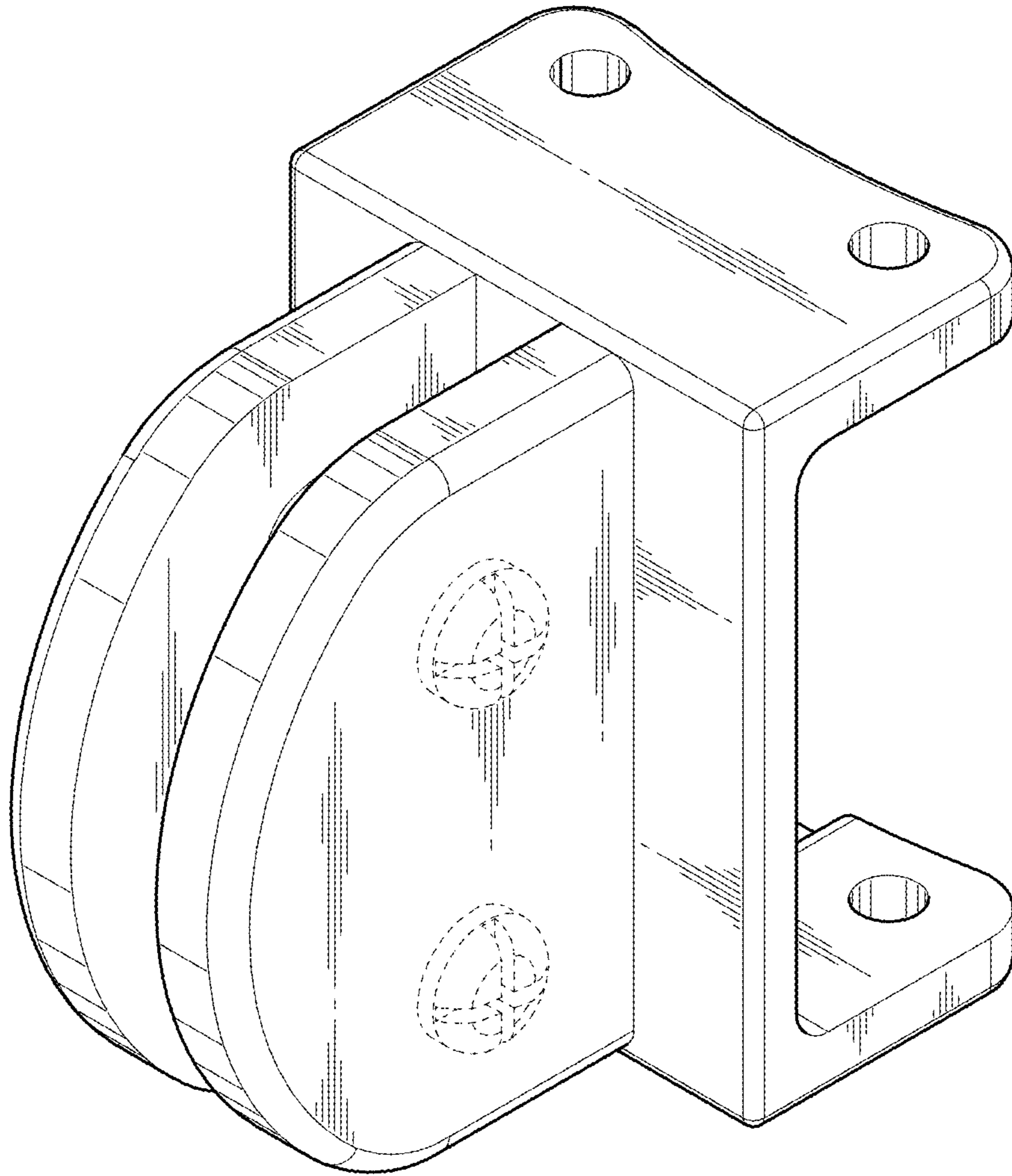


FIG. 8

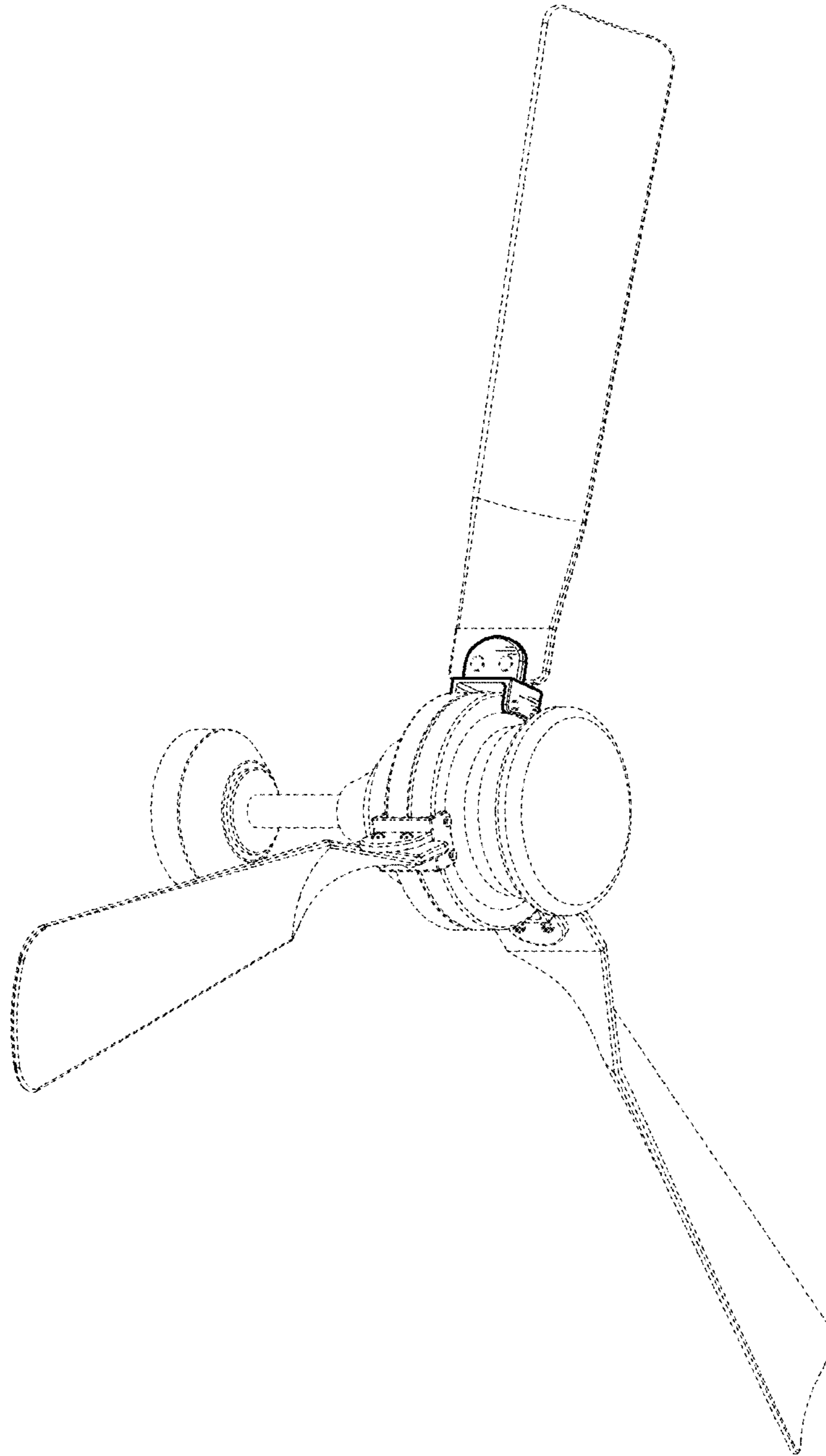


FIG. 9