



US00D947356S

(12) **United States Design Patent**  
**Holmes Bradley**

(10) **Patent No.:** **US D947,356 S**  
(45) **Date of Patent:** **\*\* Mar. 29, 2022**

- (54) **CEILING FAN**
- (71) Applicant: **Hunter Fan Company**, Memphis, TN (US)
- (72) Inventor: **Christine Marie Holmes Bradley**, Memphis, TN (US)
- (73) Assignee: **Hunter Fan Company**, Memphis, TN (US)
- (\*\*) Term: **15 Years**
- (21) Appl. No.: **29/746,905**
- (22) Filed: **Aug. 18, 2020**
- (51) **LOC (13) Cl.** ..... **23-04**
- (52) **U.S. Cl.**  
USPC ..... **D23/377**
- (58) **Field of Classification Search**  
USPC ..... D23/370, 377, 385, 411, 413; D26/59  
CPC .. F04D 25/088; F04D 29/005; F04D 29/4226;  
F21V 33/0096; F21V 21/03; F21V 21/02;  
F21V 3/02  
See application file for complete search history.

- D796,024 S \* 8/2017 Holmes ..... D23/377
- D800,292 S 10/2017 Haggar
- D800,891 S 10/2017 McRoberts et al.
- D804,629 S \* 12/2017 McRoberts ..... D23/377
- D804,639 S \* 12/2017 Guthrie ..... D23/377
- D805,174 S 12/2017 Guthrie
- D805,175 S 12/2017 Haggar
- D810,915 S \* 2/2018 Guthrie ..... D23/377

(Continued)

**OTHER PUBLICATIONS**

Craftmade, "Montreal—MN44-LED", web page <<https://craftmade.com/montreal-mn44-led>>, page visited Apr. 26, 2018, 2 pages, US.  
(Continued)

*Primary Examiner* — Janice Hallmark  
(74) *Attorney, Agent, or Firm* — McGarry Bair PC

(57) **CLAIM**

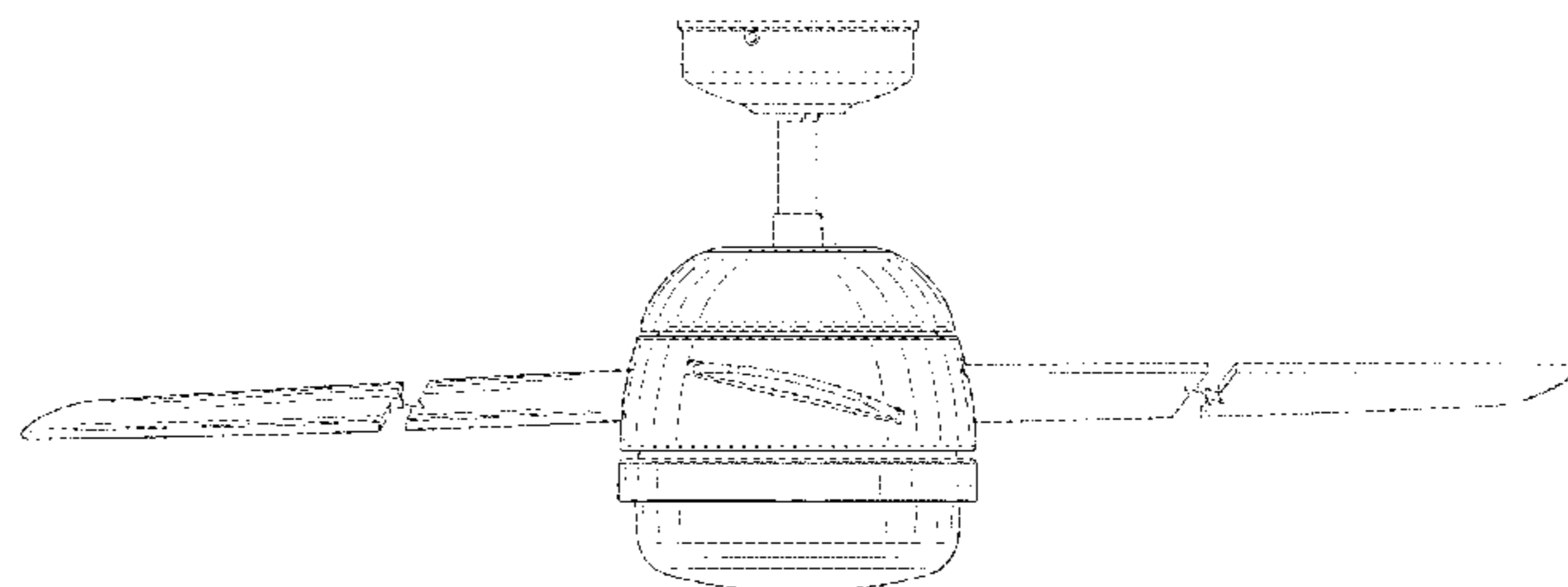
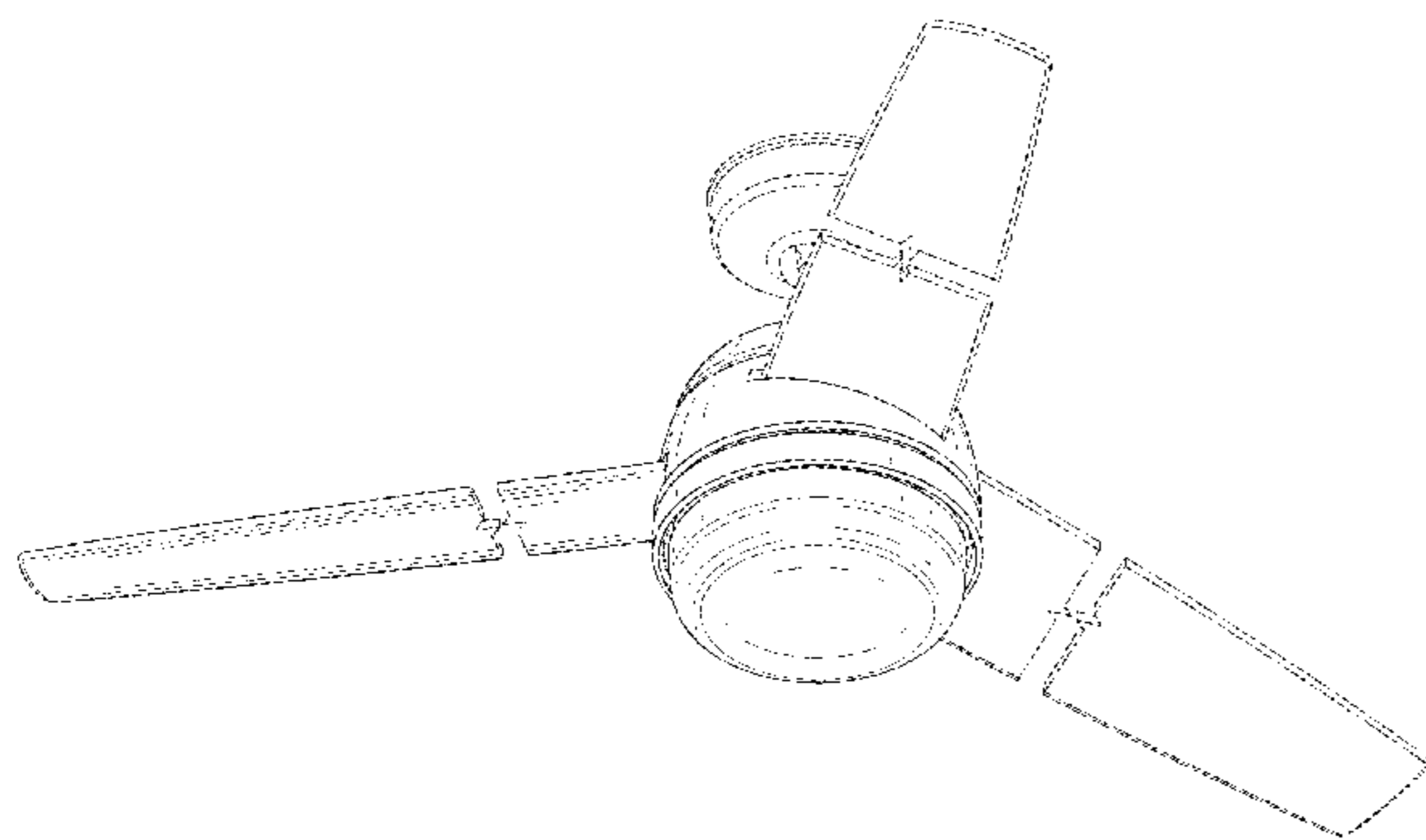
The ornamental design for a ceiling fan, as shown and described.

**DESCRIPTION**

FIG. 1 is a top perspective view of a ceiling fan, showing my new design.  
FIG. 2 is a bottom perspective view thereof, having the ceiling fan environment removed;  
FIG. 3 is a top view thereof;  
FIG. 4 is a bottom view thereof;  
FIG. 5 is a front view thereof;  
FIG. 6 is a rear view thereof;  
FIG. 7 is a right-side view thereof; and,  
FIG. 8 is a left-side view thereof.  
Portions of the ceiling fan are shown in broken lines. Portions shown in broken lines form no part of the claimed design. The ceiling fan blades are shown with jagged broken lines which define a symbolic break for the blades. The jagged broken lines form no part of the claimed design.

**1 Claim, 8 Drawing Sheets**

- (56) **References Cited**  
U.S. PATENT DOCUMENTS
- D48,034 S 10/1915 McKinnie
- D377,975 S 2/1997 Young
- D386,257 S 11/1997 Liu
- D595,004 S 6/2009 Pan
- D632,780 S 2/2011 Pan
- D704,819 S \* 5/2014 Wang ..... D23/411
- D706,406 S 6/2014 Wang
- D744,084 S 11/2015 Wang
- D771,794 S \* 11/2016 Wang ..... D23/411
- D785,156 S 4/2017 Wang
- D788,284 S 5/2017 Wang
- D789,511 S 6/2017 Wang
- D795,411 S 8/2017 Wang



(56)

References Cited

U.S. PATENT DOCUMENTS

D810,917	S	*	2/2018	Holmes	.....	D23/377
D822,192	S	*	7/2018	Haggar		
D824,558	S	*	7/2018	Guthrie	.....	D26/59
D825,052	S	*	8/2018	Guthrie	.....	D23/411
D826,395	S	*	8/2018	McRoberts	.....	D23/411
D828,915	S		9/2018	Haggar		
D834,734	S	*	11/2018	Guthrie	.....	D26/59
D844,769	S		4/2019	McRoberts et al.		
D850,605	S	*	6/2019	Ertze	.....	D23/377
D855,172	S	*	7/2019	Holmes	.....	D23/411
D855,789	S		8/2019	Haggar		
D866,746	S	*	11/2019	Holmes	.....	D23/411
D867,573	S	*	11/2019	Guthrie	.....	D23/411
D872,251	S	*	1/2020	Haggar	.....	D23/377
D873,405	S	*	1/2020	McRoberts	.....	D23/377
D874,634	S		2/2020	Haggar		
D874,635	S	*	2/2020	Holmes	.....	D23/377
D875,914	S	*	2/2020	Haggar	.....	D23/377
D877,316	S	*	3/2020	Wang	.....	D23/411
D877,881	S	*	3/2020	Hidalgo	.....	D23/377
D886,980	S	*	6/2020	McRoberts	.....	D23/377
D890,320	S		7/2020	Holmes		
D900,301	S	*	10/2020	Haggar	.....	D23/411
D911,510	S	*	2/2021	Guthrie	.....	D23/377
D921,181	S	*	6/2021	Haggar	.....	D23/377
D921,881	S	*	6/2021	Haggar	.....	D23/411

OTHER PUBLICATIONS

Fanimation Ceiling Fans, “Berlin”, web page <http://www.fanimation.com/products/index.php/fans/berlin.html>.> page visited Apr. 26, 2018, 6 pages, US.

Kichler, “Kischler 300175WH Vassar 52 Inch White Fan”, web page <https://www.kichlerlightinglights.com/product/kichler-lighting-vassar-indoor-ceiling-fans-300175wh.html?page=1>, page visited Apr. 26, 2018, 3 pages, US.

Cens, “Orion-Contemporary Series”, web page [https://www.cens.com/cens/html/en/product/product\\_main\\_77128.html](https://www.cens.com/cens/html/en/product/product_main_77128.html), page visited Apr. 26, 2018, 3 pages, China.

Hunter, “Aker With LED Light 36 Inch”, web page <https://www.hunterfan.com/ceiling-fans/aker-with-led-light-36-inch-fam812>, page visited Apr. 26, 2018, 4 pages, US.

Hunter, “Tarrant With LED Light 36 Inch”, web page <https://www.hunterfan.com/ceiling-fans/tarrant-with-led-light-36-inch-fam984>, page visited Apr. 26, 2018, 3 pages, US.

Hunter, “Anslee Low Profile With Light 46 Inch”, web page, <https://www.hunterfan.com/Ceiling-Fans/Anslee-Low-Profile?ModelNumber=59268>, site visited Apr. 26, 2018, 6 pages, US.

Hunter, “Exeter With LED Light 54 Inch”, web page, <https://www.hunterfan.com/ceiling-fans/exeter-with-led-light-54-inch-fam800>, site visited Apr. 26, 2018, 6 pages, US.

GE, “Savanna 52 in. LED Outdoor Brushed Nickel Ceiling Fan with SkyPlug Technology”, web page, <https://www.homedepot.com/p/GE-Savanna-52-in-LED-Indoor-Brushed-Nickel-Ceiling-Fan-with-SkyPlug-Technology-21243/304100217>, site visited Apr. 26, 2018, 4 pages, US.

Craftmade, Beltre—BEL52BNK3-LED, web page, <https://www.craftmade.com/beltre-bel52bnk3-led>, site visited Apr. 26, 2018, 2 pages, US.

Monte Carlo, “Owen Collection”, web page <http://www.montecarlofans.com/53839/60-Owen---Brushed-Steel-3OWR60BSD.html>, site visited Apr. 26, 2018, 2 pages, US.

Emerson, “54-inch Ideal Modern Ceiling Fan”, web page <http://ceilingfans.emerson.com/en/shop/fan/fans-s-emerson-fans/fans-s-contemporary/ideal-fan-p-cf330>, site visited Apr. 26, 2018, 3 pages, US.

Hunter, “Avia With Light Grey Oak 54 Inch”, web page <https://www.hunterfan.com/ceiling-fans/avia-with-light-grey-oak-54-inch-fam970>, site visited Apr. 26, 2018, 4 pages, US.

The Home Depot, “Hampton Bay Trusseau 52 in. Indoor Brushed Nickel Ceiling Fan with Light Kit and Remote Control”, web page, <https://www.homedepot.com/p/Hampton-Bay-Trusseau-52-in-Indoor-Brushed-Nickel-Ceiling-Fan-with-Light-Kit-and-Remote-Control-AL775-BN/203245489>, site visited Apr. 26, 2018, US.

Fanimation, “Aire Duo”, web page, <http://www.fanimation.com/products/index.php/fans/aire-duo.html>, site visited Apr. 26, 2018, 6 pages, US.

\* cited by examiner

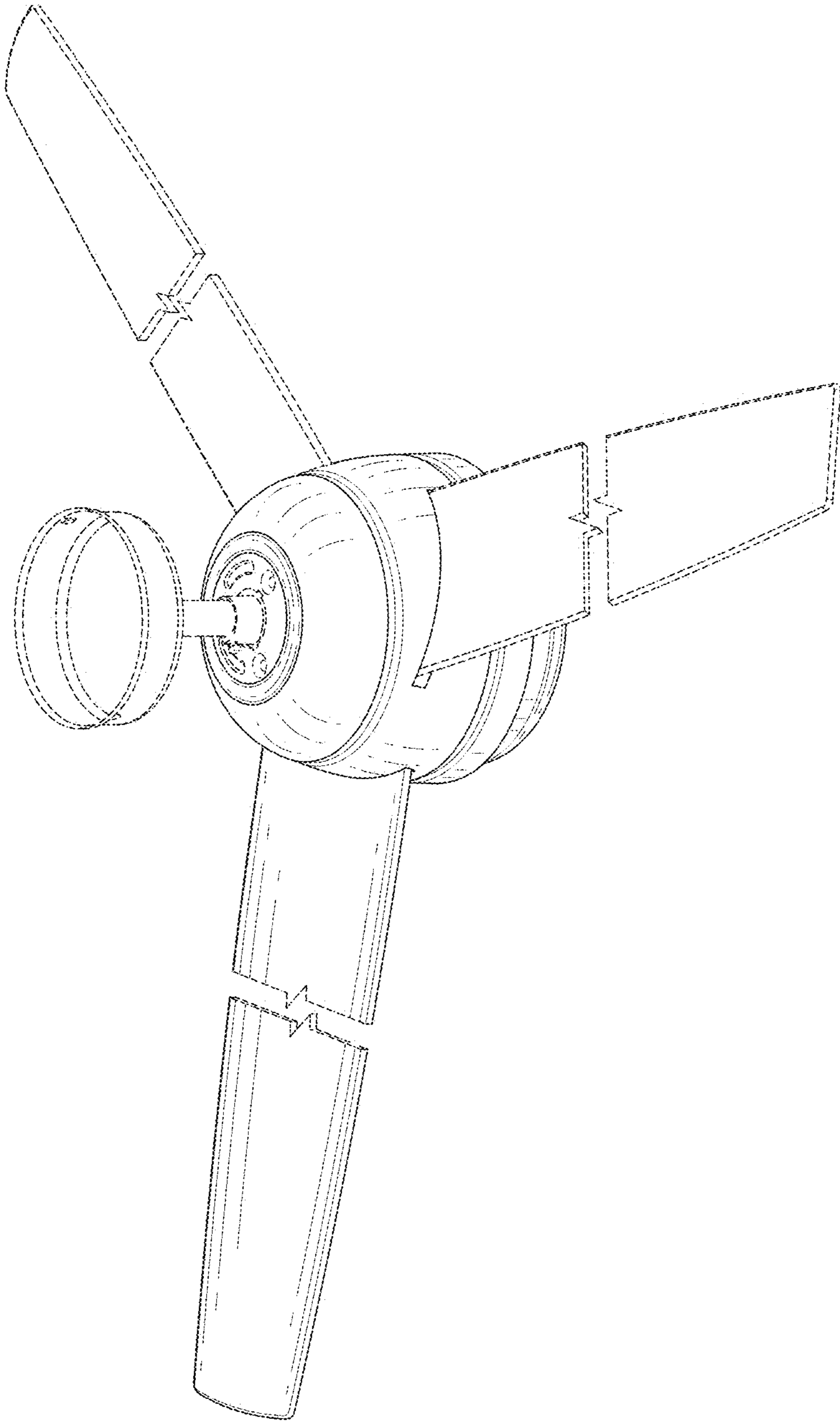


FIG. 1

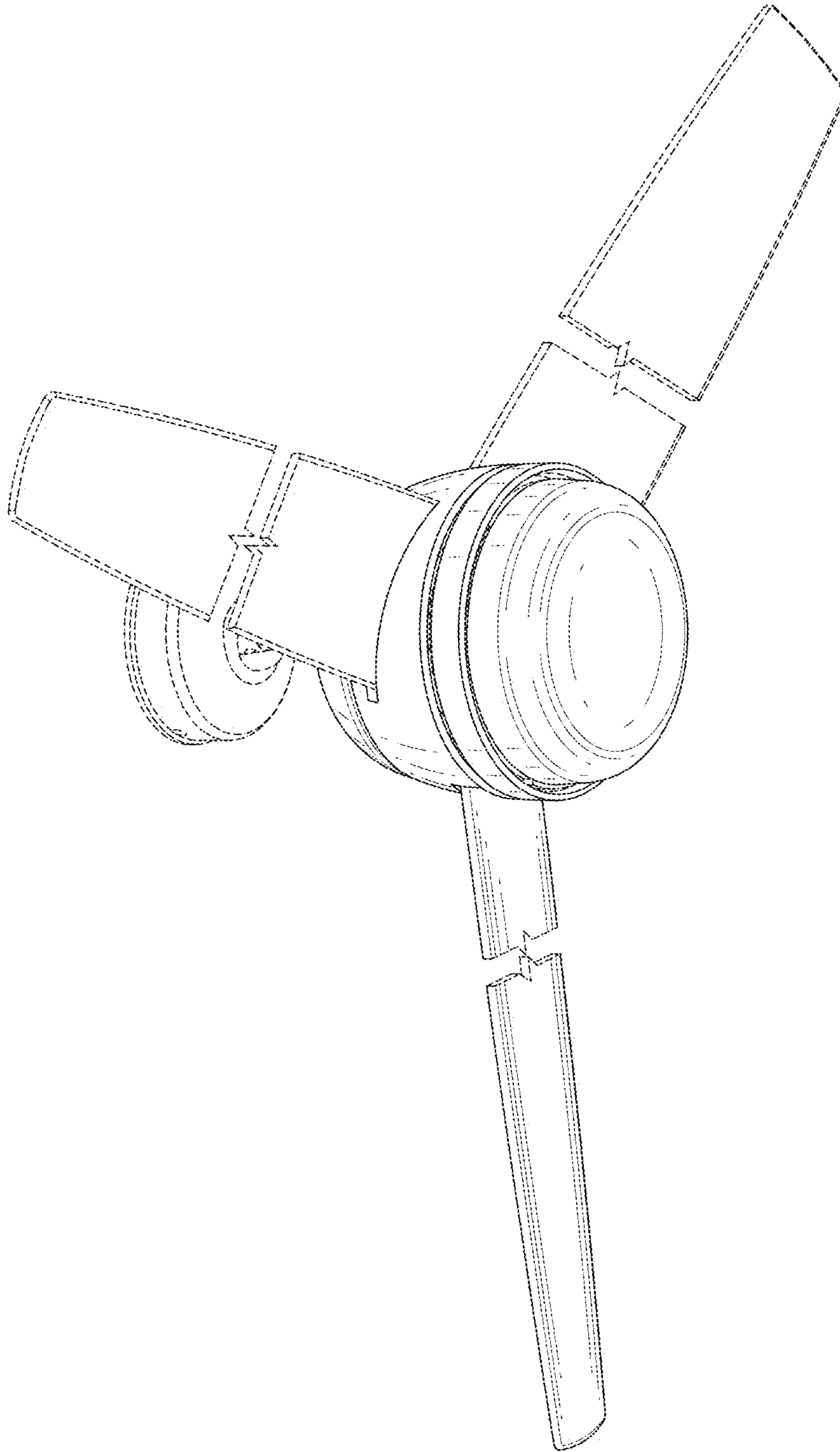


FIG. 2

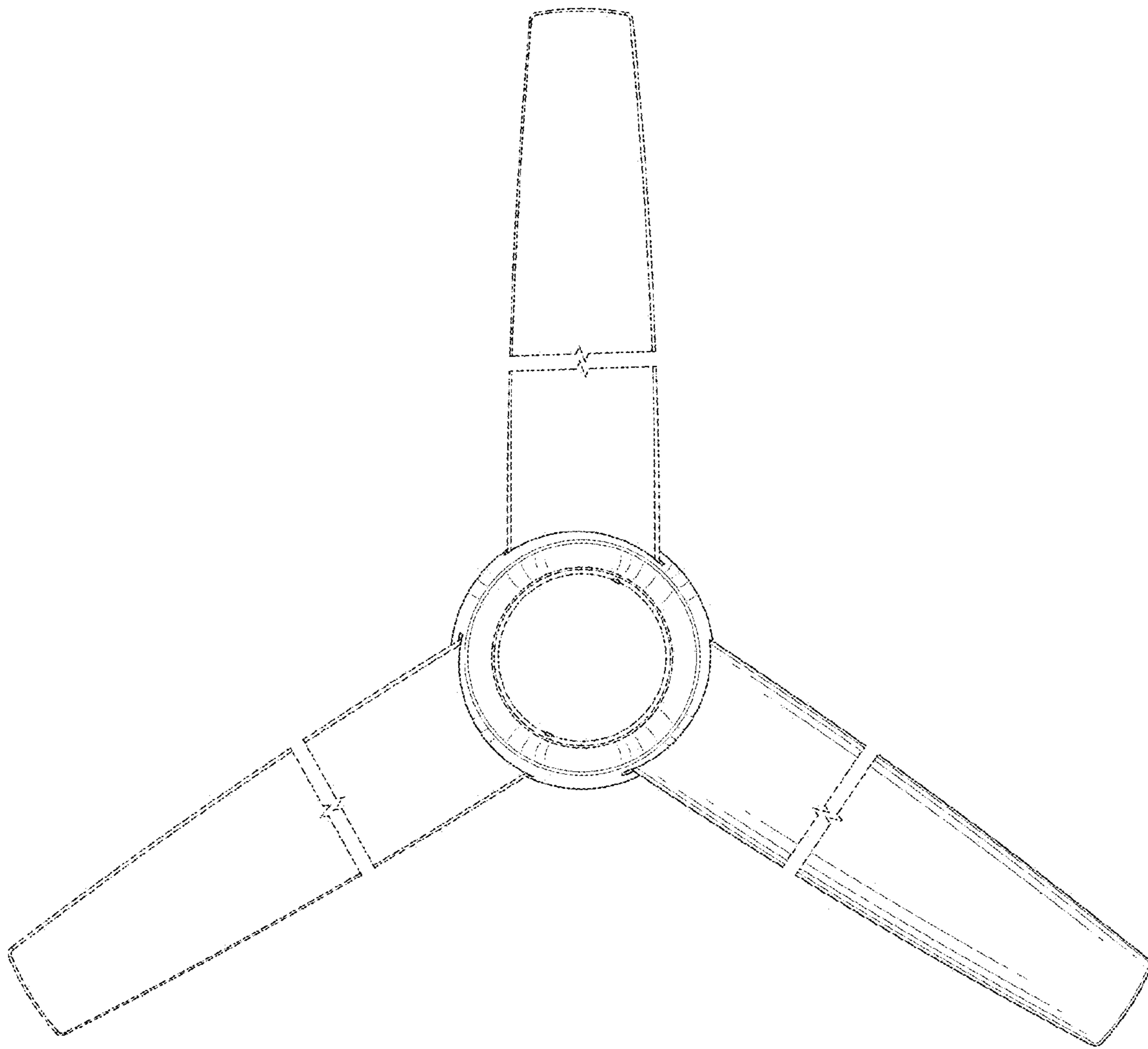


FIG. 3

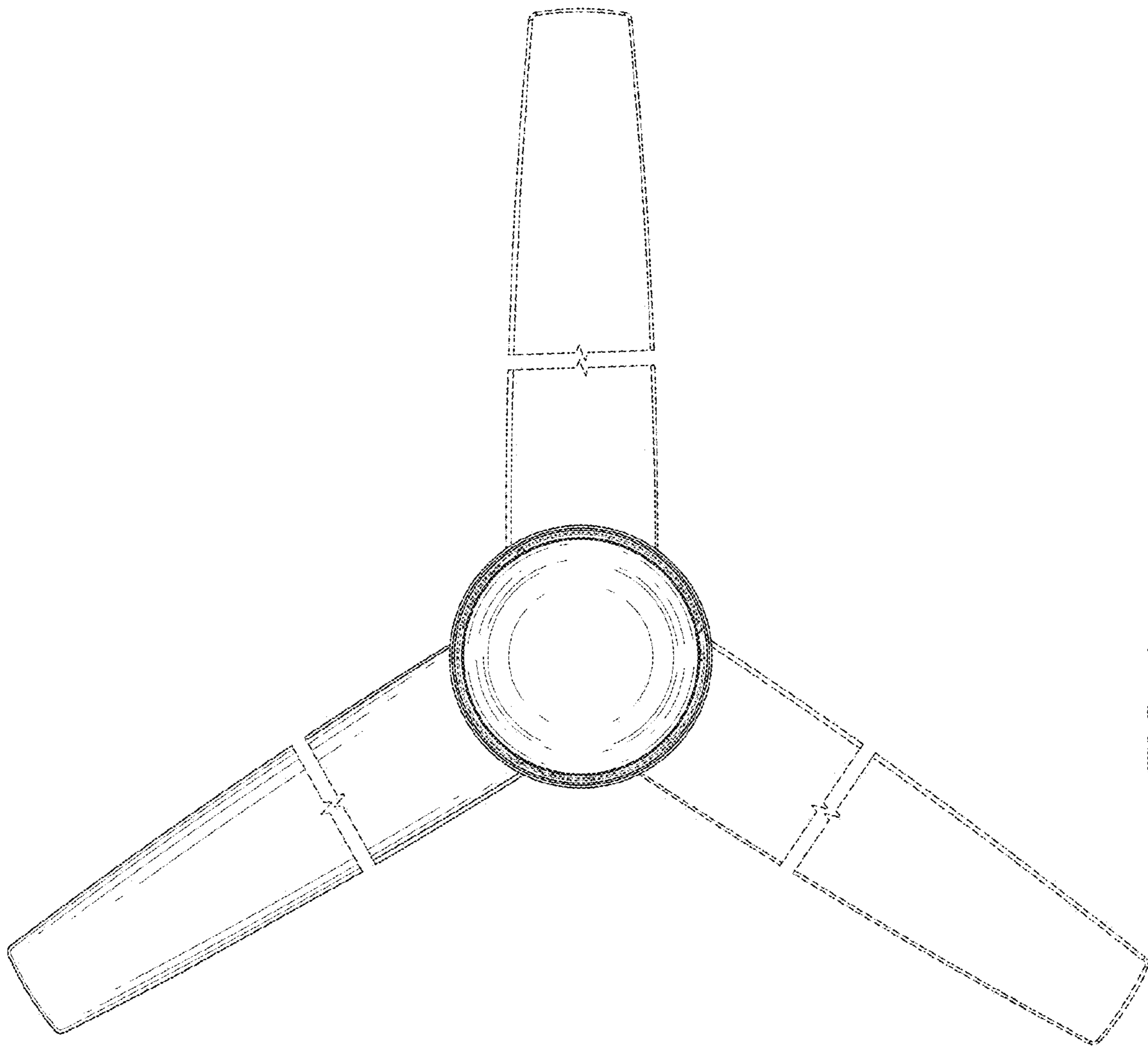


FIG. 4

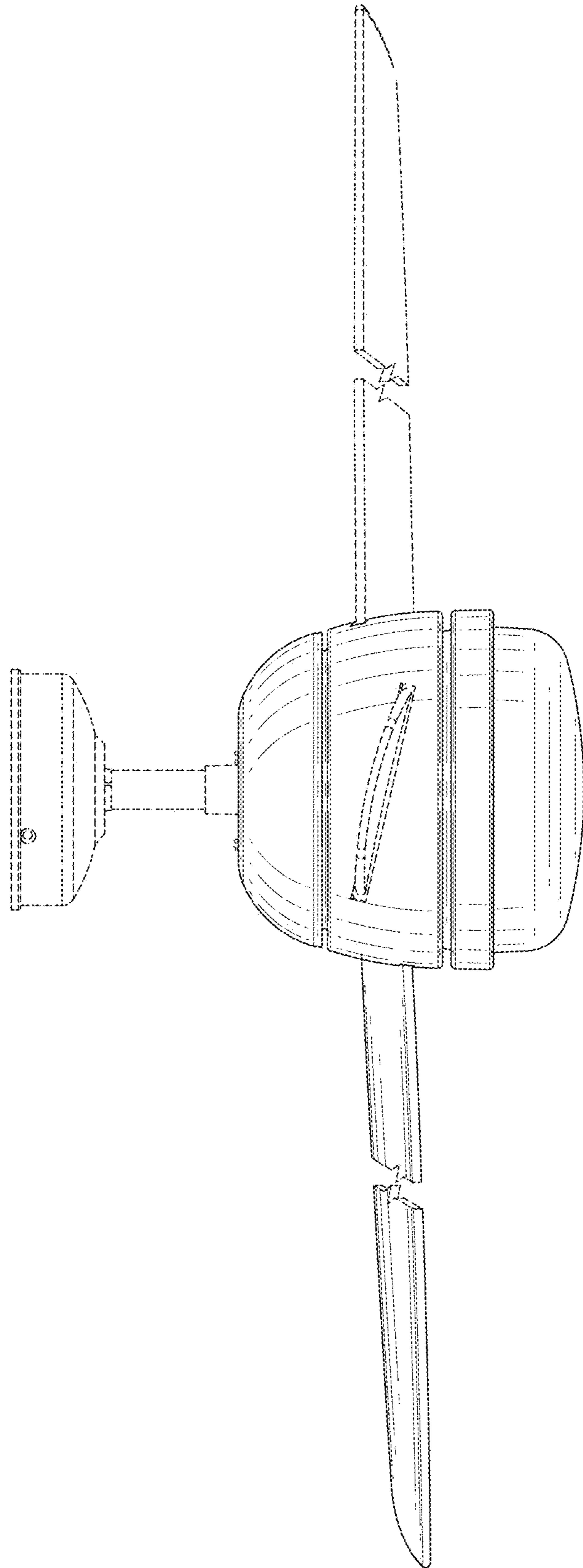


FIG. 5

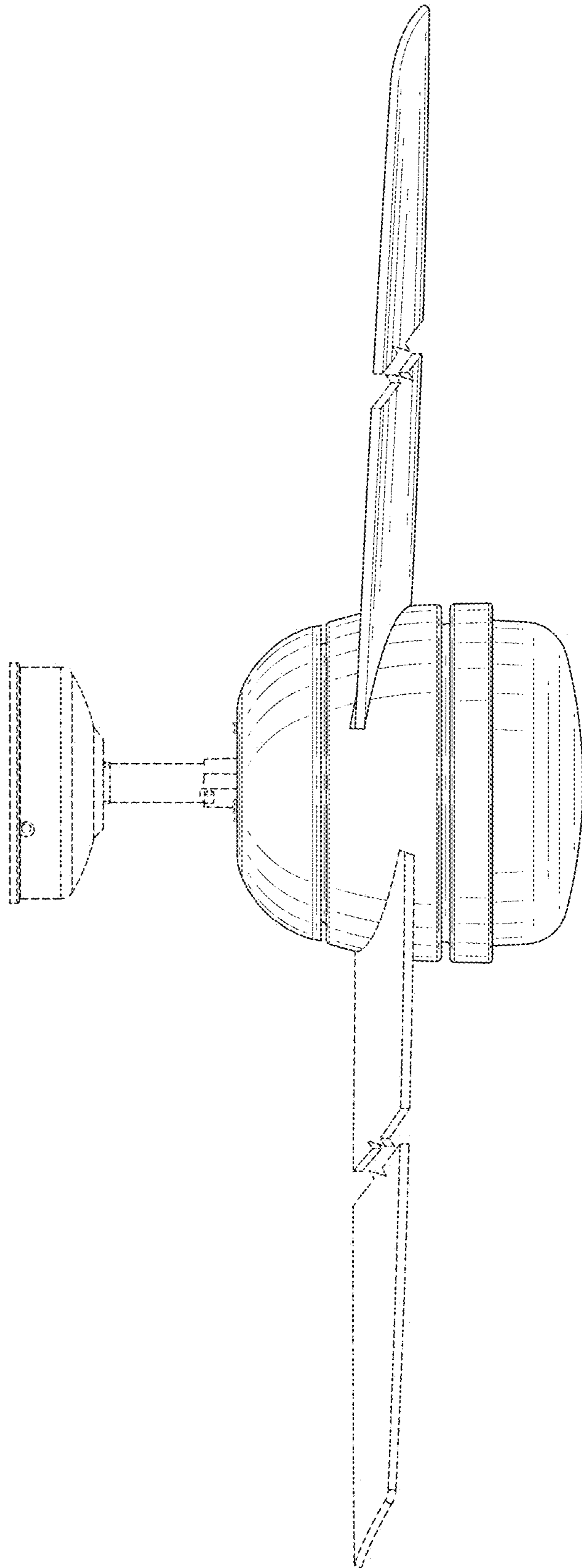


FIG. 6



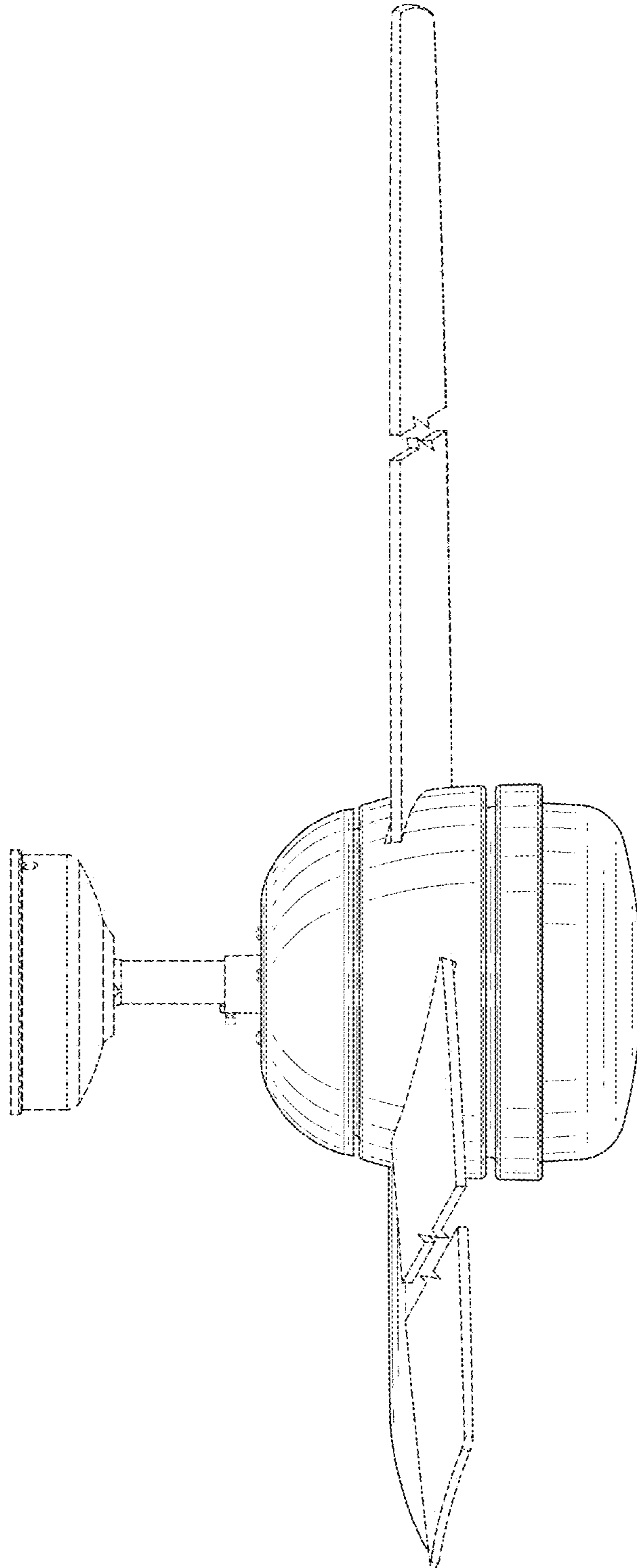


FIG. 7

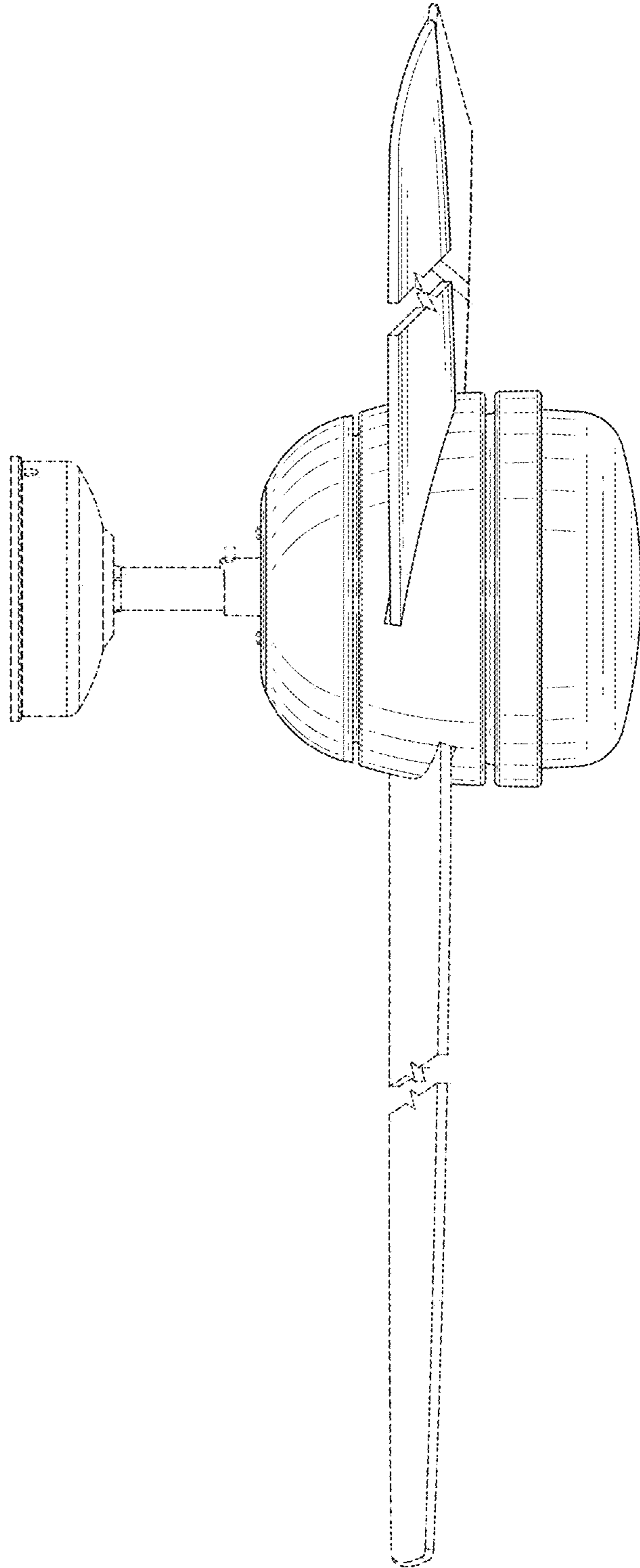


FIG. 8