



US00D947354S

(12) **United States Design Patent**
Quan et al.

(10) **Patent No.:** **US D947,354 S**
(45) **Date of Patent:** **** Mar. 29, 2022**

(54) **CEILING FAN**

(71) Applicant: **Hunter Pacific International Pty Ltd,**
Dural (AU)

(72) Inventors: **Zhao Jian Quan,** Jiang Men (CN);
Philip Allen, Dural (AU)

(73) Assignee: **Hunter Pacific International Pty Ltd.,**
Dural (AU)

(**) Term: **15 Years**

(21) Appl. No.: **29/715,087**

(22) Filed: **Nov. 27, 2019**

(30) **Foreign Application Priority Data**

May 27, 2019 (AU) 201912859

(51) **LOC (13) Cl.** **23-04**

(52) **U.S. Cl.**
USPC **D23/377**

(58) **Field of Classification Search**
USPC D23/370, 377, 379, 385, 411, 413;
D26/59; D12/214, 339, 344
(Continued)

(56) **References Cited**

U.S. PATENT DOCUMENTS

D596,733 S * 7/2009 Kihara D23/377
D612,476 S * 3/2010 Noble D23/377
(Continued)

OTHER PUBLICATIONS

Commonly-owned U.S. Appl. No. 29/715,093, filed Nov. 27, 2019.

Primary Examiner — Sharon S Oum

(74) *Attorney, Agent, or Firm* — Gardner, Linn, Burkhardt
& Ondersma LLP

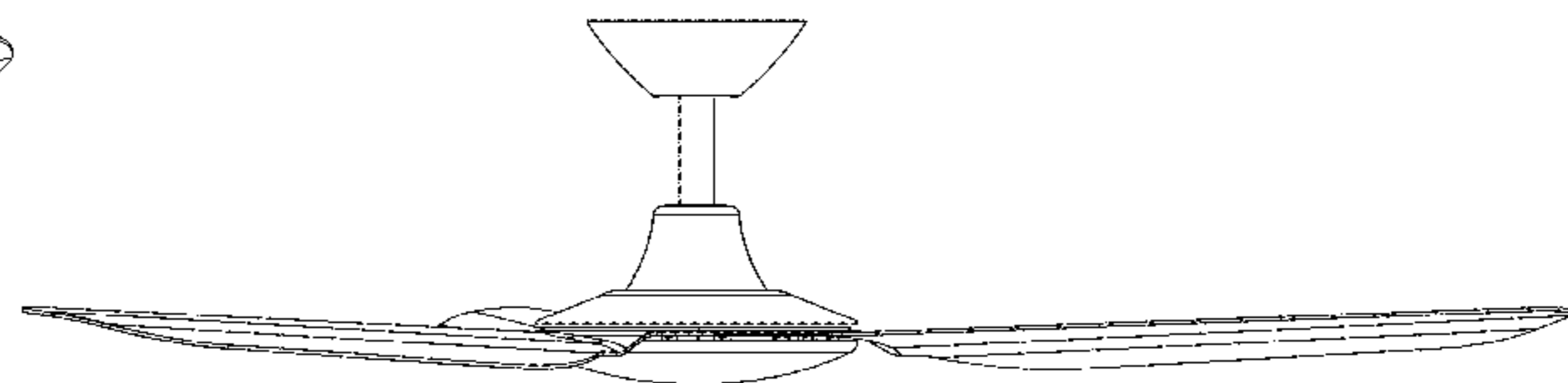
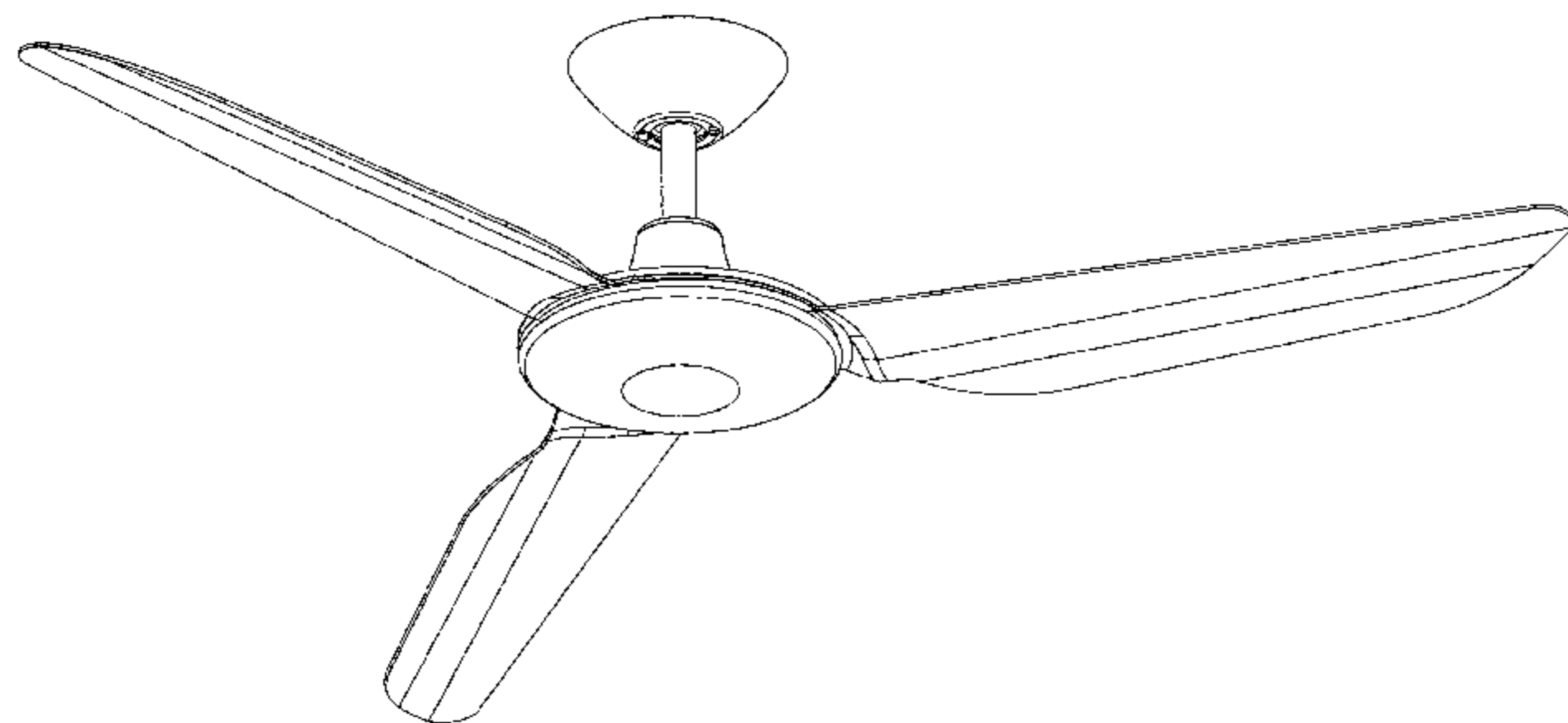
(57) **CLAIM**

The ornamental design for a ceiling fan, as shown and described.

DESCRIPTION

FIG. 1 is a bottom perspective view of a ceiling fan showing a first embodiment of our new design;
FIG. 2 is bottom plan view thereof;
FIG. 3 is a front elevation view thereof;
FIG. 4 is a left side elevation view thereof;
FIG. 5 is a rear elevation view thereof;
FIG. 6 is a right side elevation view thereof;
FIG. 7 is a top plan view thereof;
FIG. 8 is a bottom perspective view of a ceiling fan showing a second embodiment of our new design;
FIG. 9 is a bottom plan view thereof;
FIG. 10 is a front elevation view thereof;
FIG. 11 is a left side elevation view thereof;
FIG. 12 is a rear elevation view thereof;
FIG. 13 is a right side elevation view thereof;
FIG. 14 is a top plan view thereof;
FIG. 15 is a bottom perspective view of a ceiling fan showing a third embodiment of our new design;
FIG. 16 is a bottom plan view thereof;
FIG. 17 is a front elevation view thereof;
FIG. 18 is a left side elevation view thereof;
FIG. 19 is a rear elevation view thereof;
FIG. 20 is a right side elevation view thereof;
FIG. 21 is a top plan view thereof;
FIG. 22 is a bottom perspective view of a ceiling fan showing a fourth embodiment of our new design;
FIG. 23 is a bottom plan view thereof;
FIG. 24 is a front elevation view thereof;
FIG. 25 is a left side elevation view thereof;
FIG. 26 is a rear elevation view thereof;
FIG. 27 is a right side elevation view thereof; and,
FIG. 28 is a top plan view thereof.
The broken lines and the portions within are for the purposes of illustrating portions of the article that form no part of the claimed design.

1 Claim, 28 Drawing Sheets



(58) **Field of Classification Search**

CPC F04D 25/088; F04D 29/38; F04D 29/384;
F04D 29/386; F21V 33/0096

See application file for complete search history.

(56) **References Cited**

U.S. PATENT DOCUMENTS

D690,409 S *	9/2013	Noble	D23/377
D770,027 S *	10/2016	Noble	D23/385
D800,291 S *	10/2017	Wang	D23/377
D808,004 S *	1/2018	Noble	D23/411
D842,447 S *	3/2019	Hornng	D23/377
D850,603 S *	6/2019	Wang	D23/377
D852,349 S *	6/2019	Hornng	D23/377
D880,677 S *	4/2020	Gajewski	D23/377
D884,144 S *	5/2020	Indio da Costa	D23/377
2012/0014796 A1 *	1/2012	Cartwright	F04D 29/388 416/142
2013/0189109 A1 *	7/2013	Noble	F04D 29/384 416/219 R

* cited by examiner

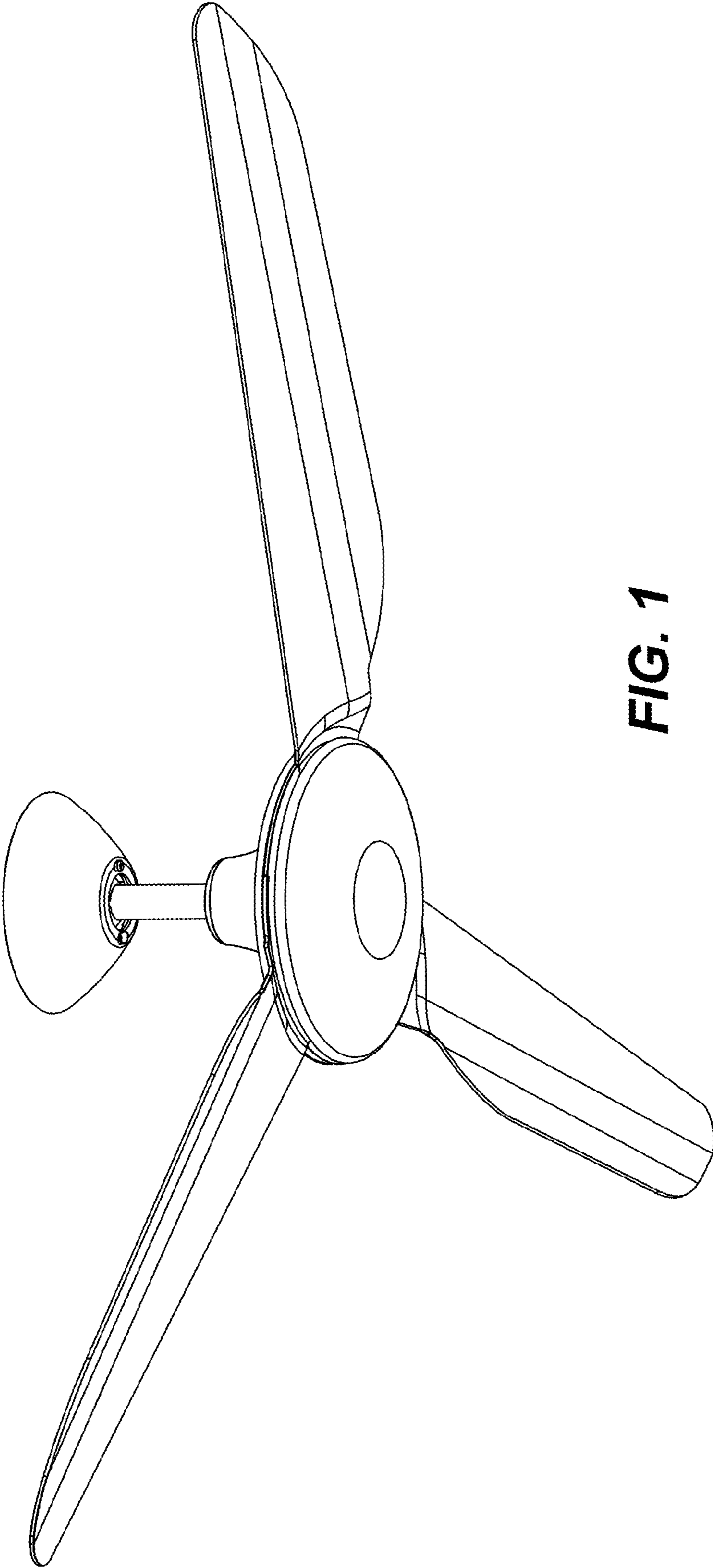


FIG. 1

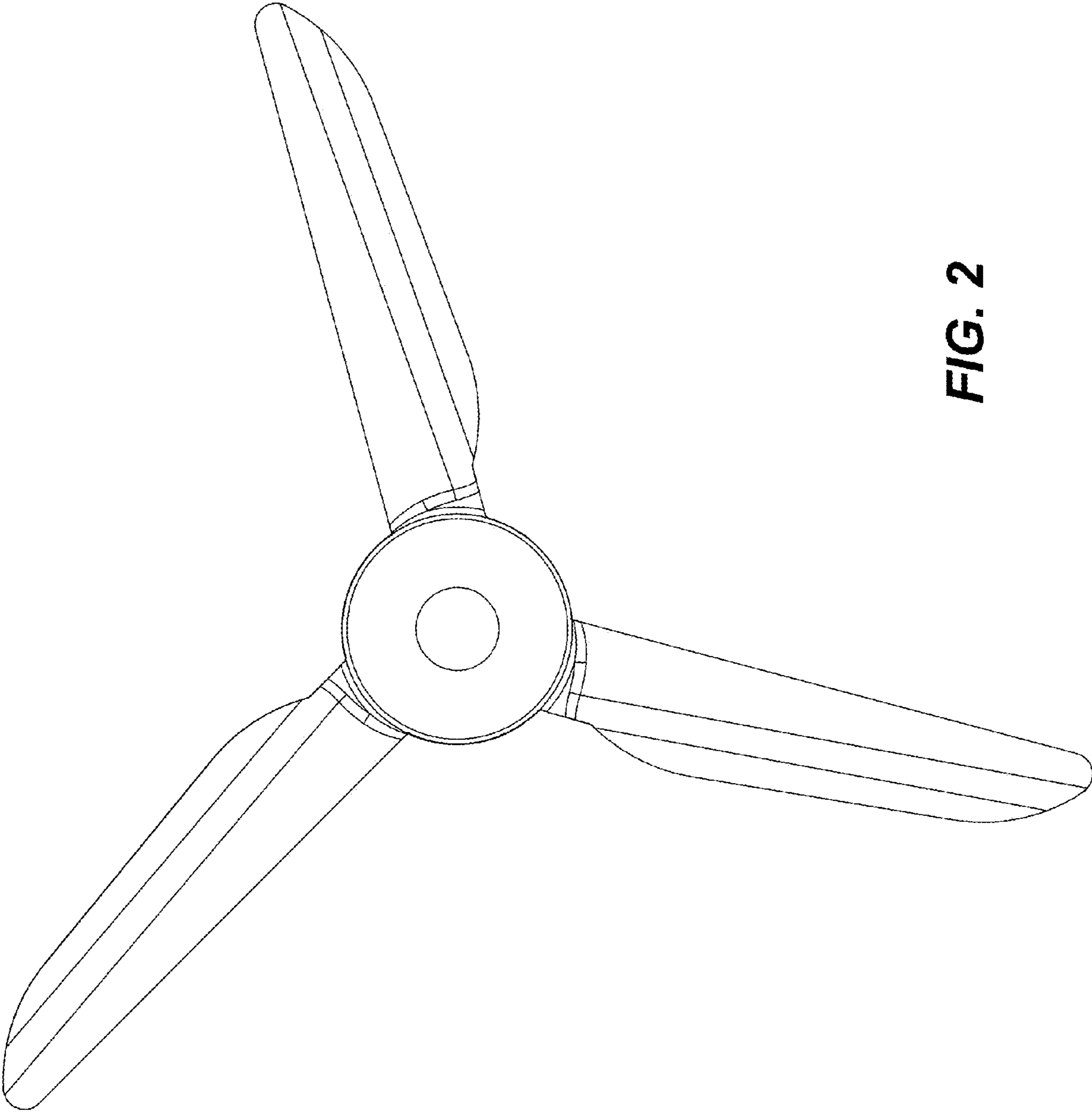


FIG. 2

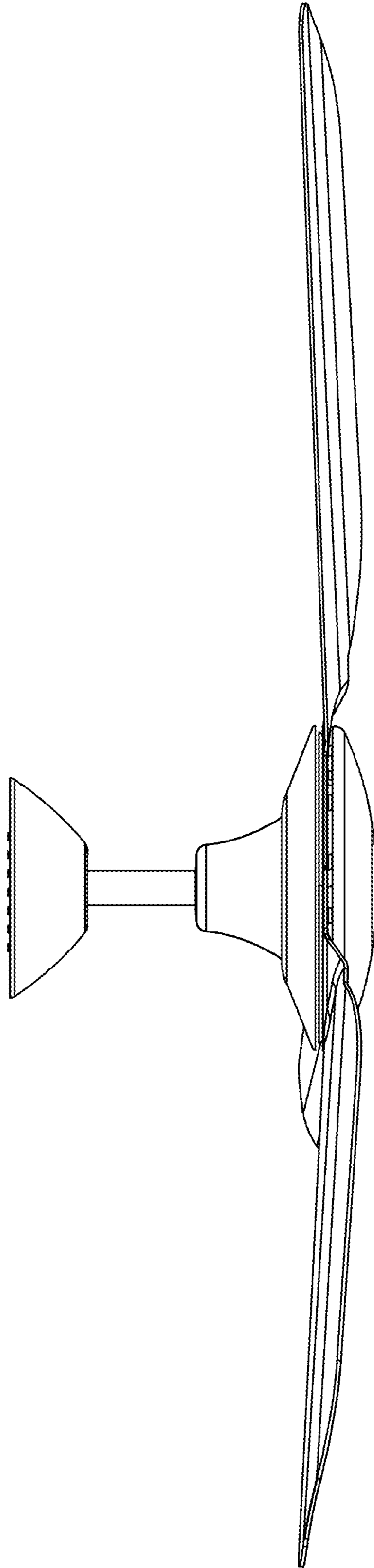


FIG. 3

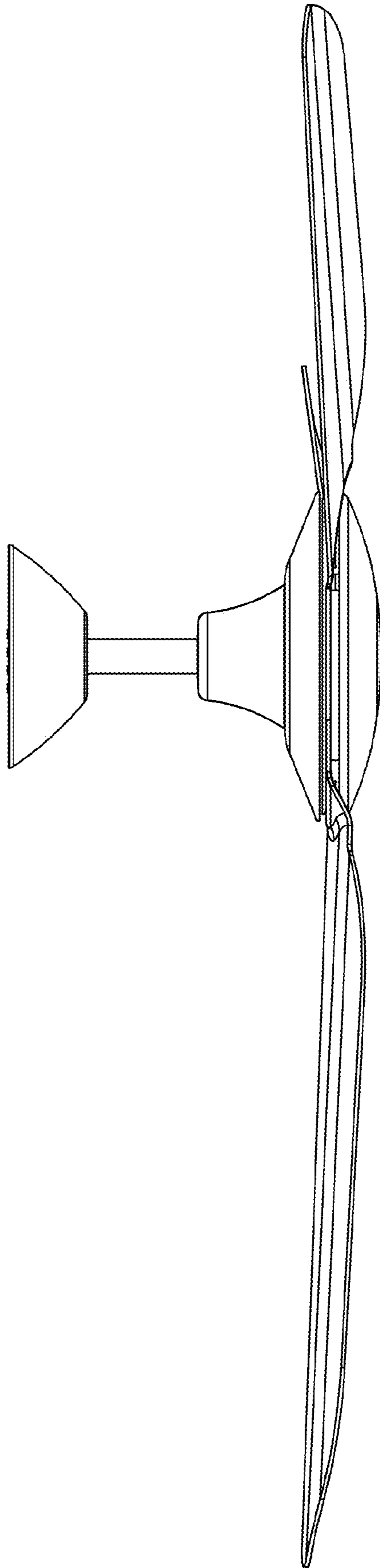


FIG. 4

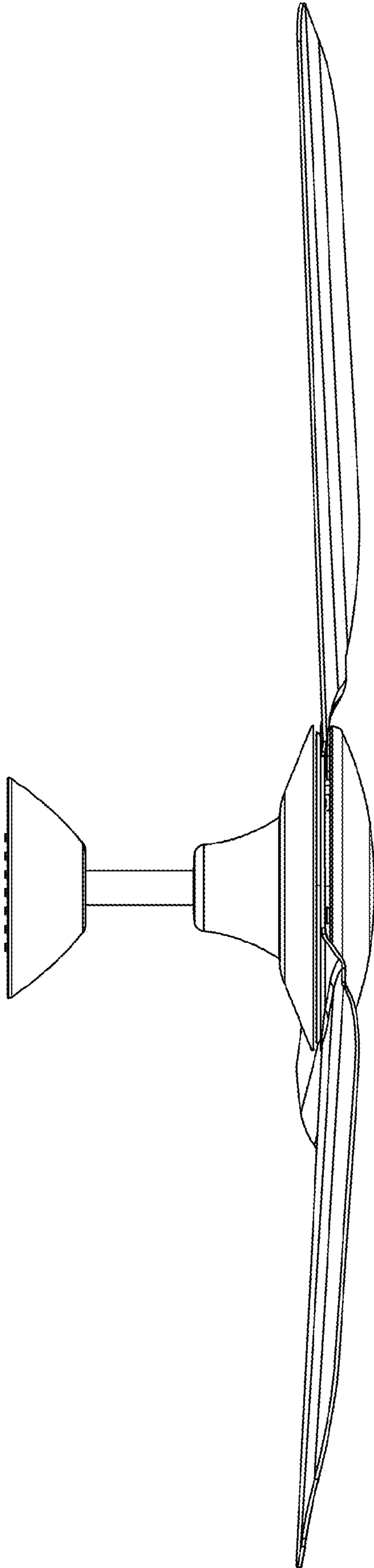


FIG. 5

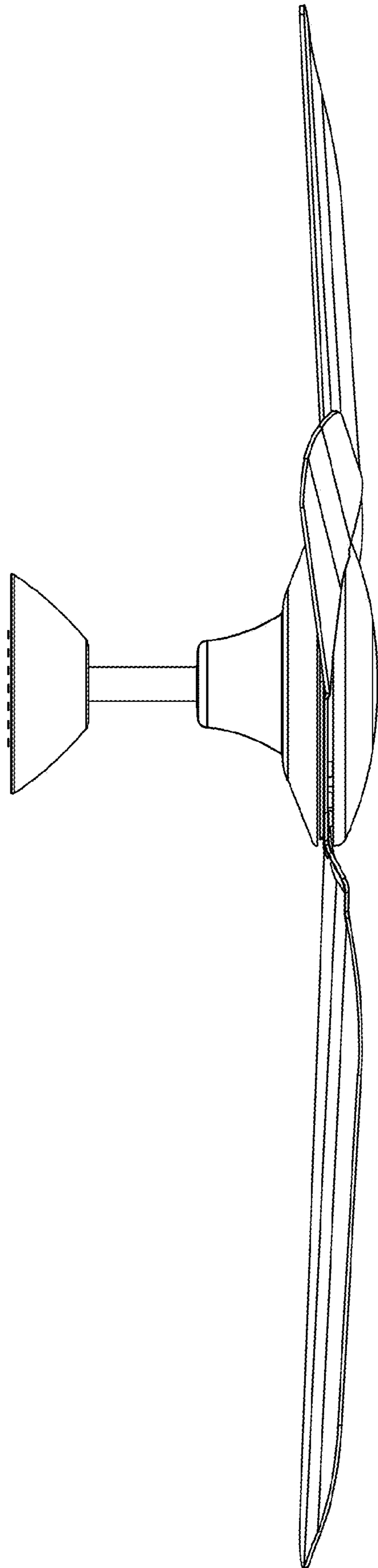


FIG. 6

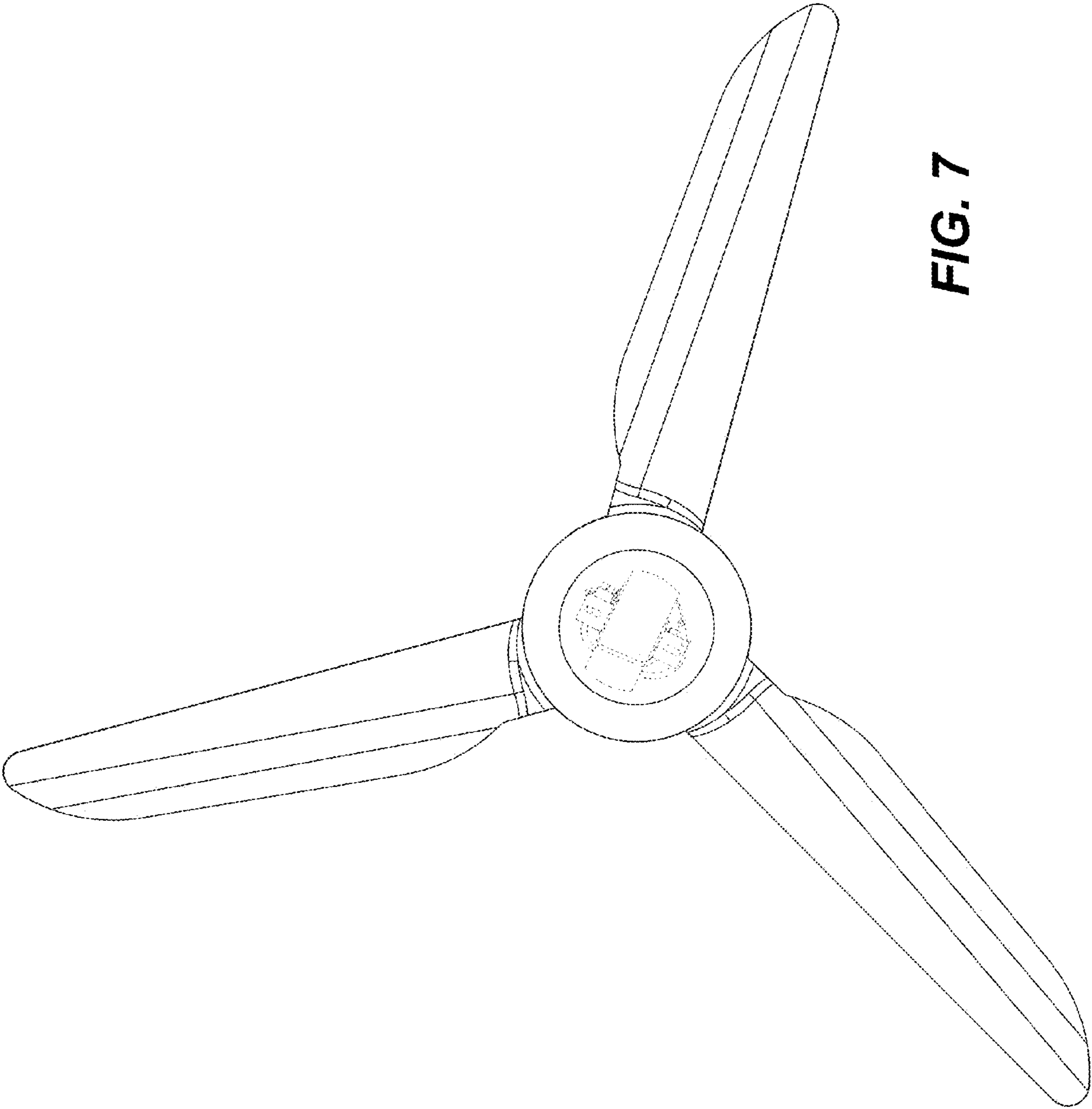


FIG. 7

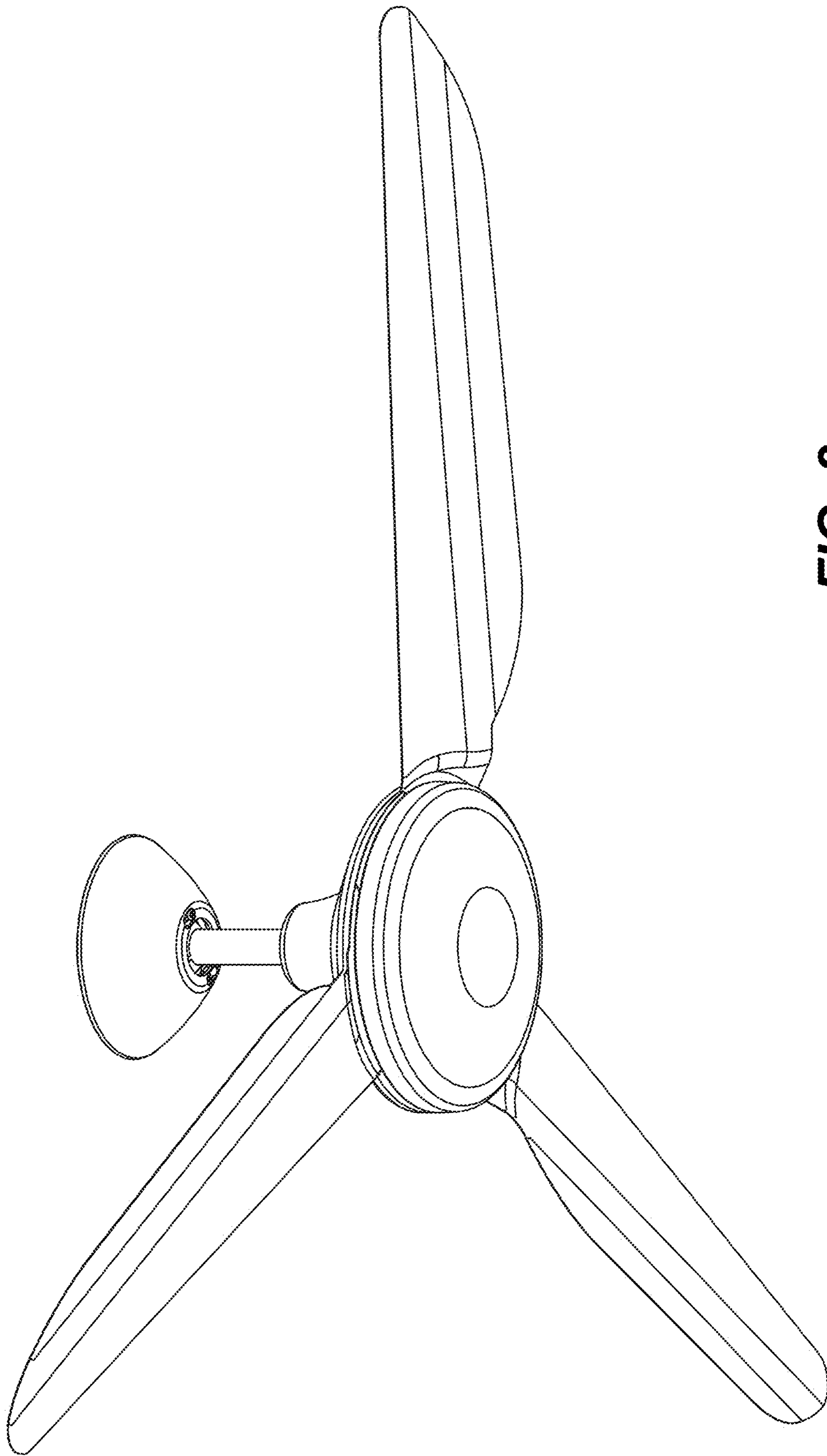


FIG. 8

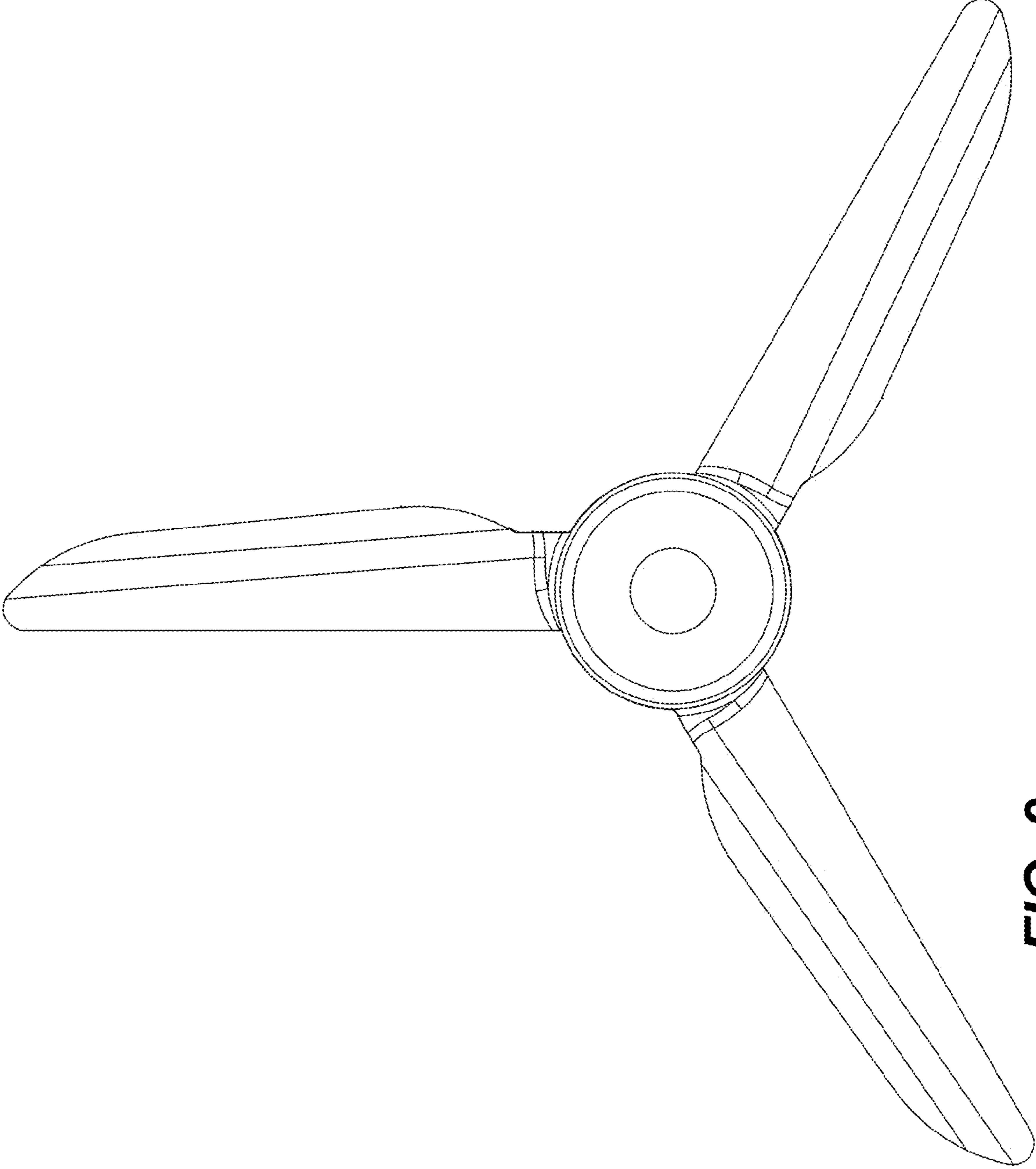


FIG. 9

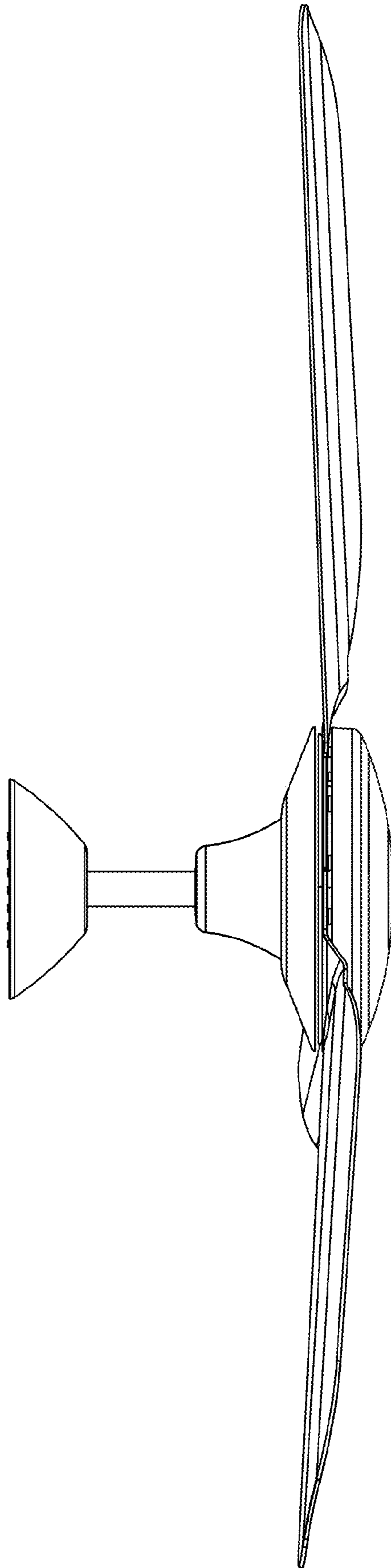


FIG. 10

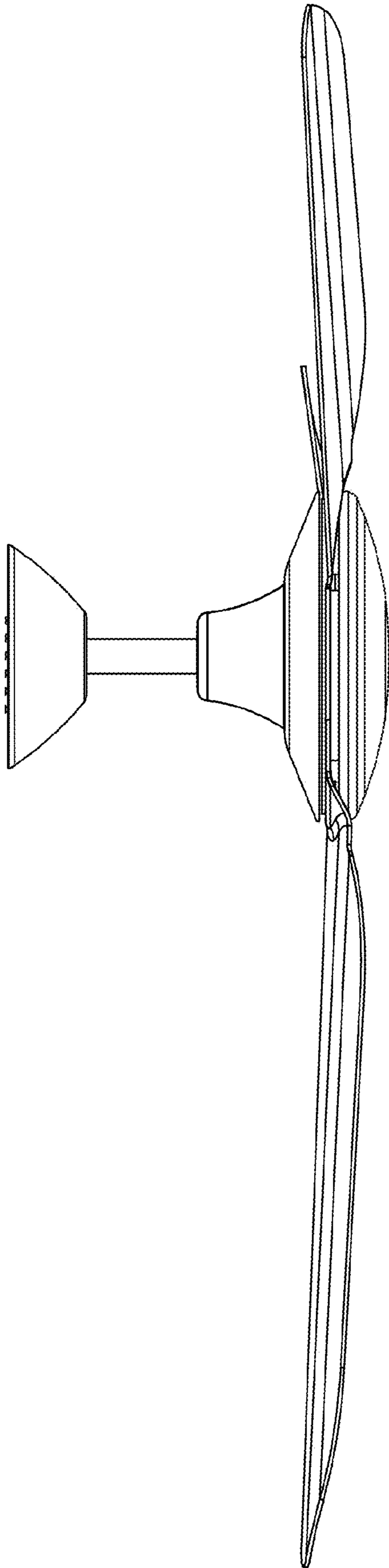


FIG. 11

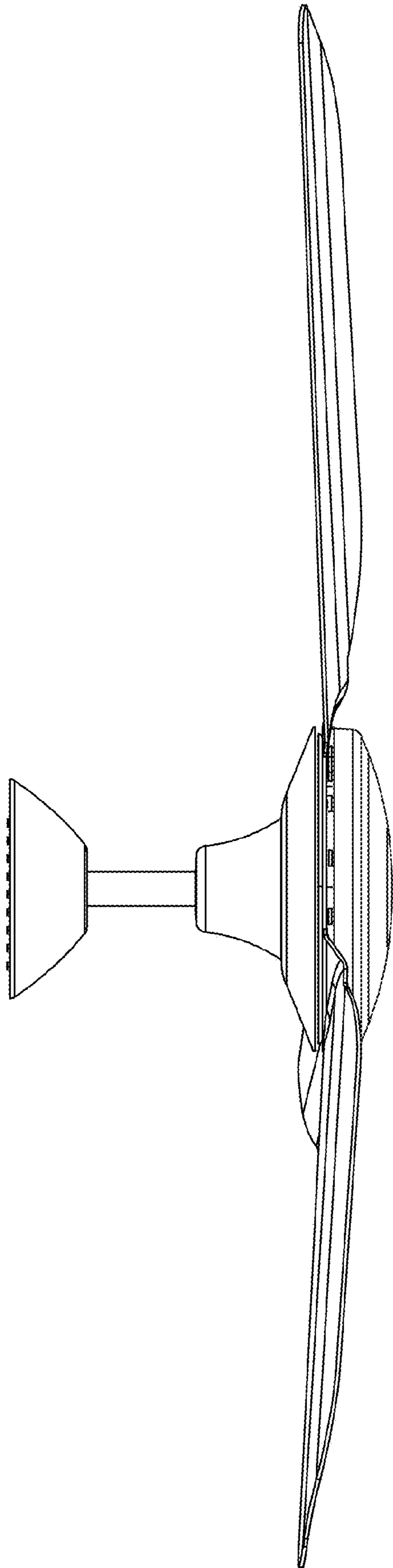


FIG. 12

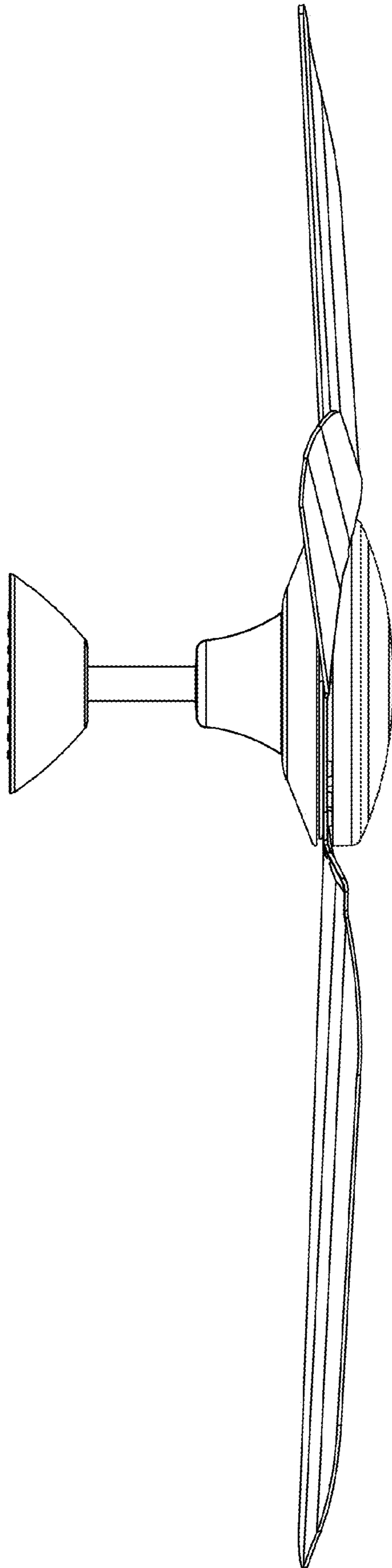


FIG. 13

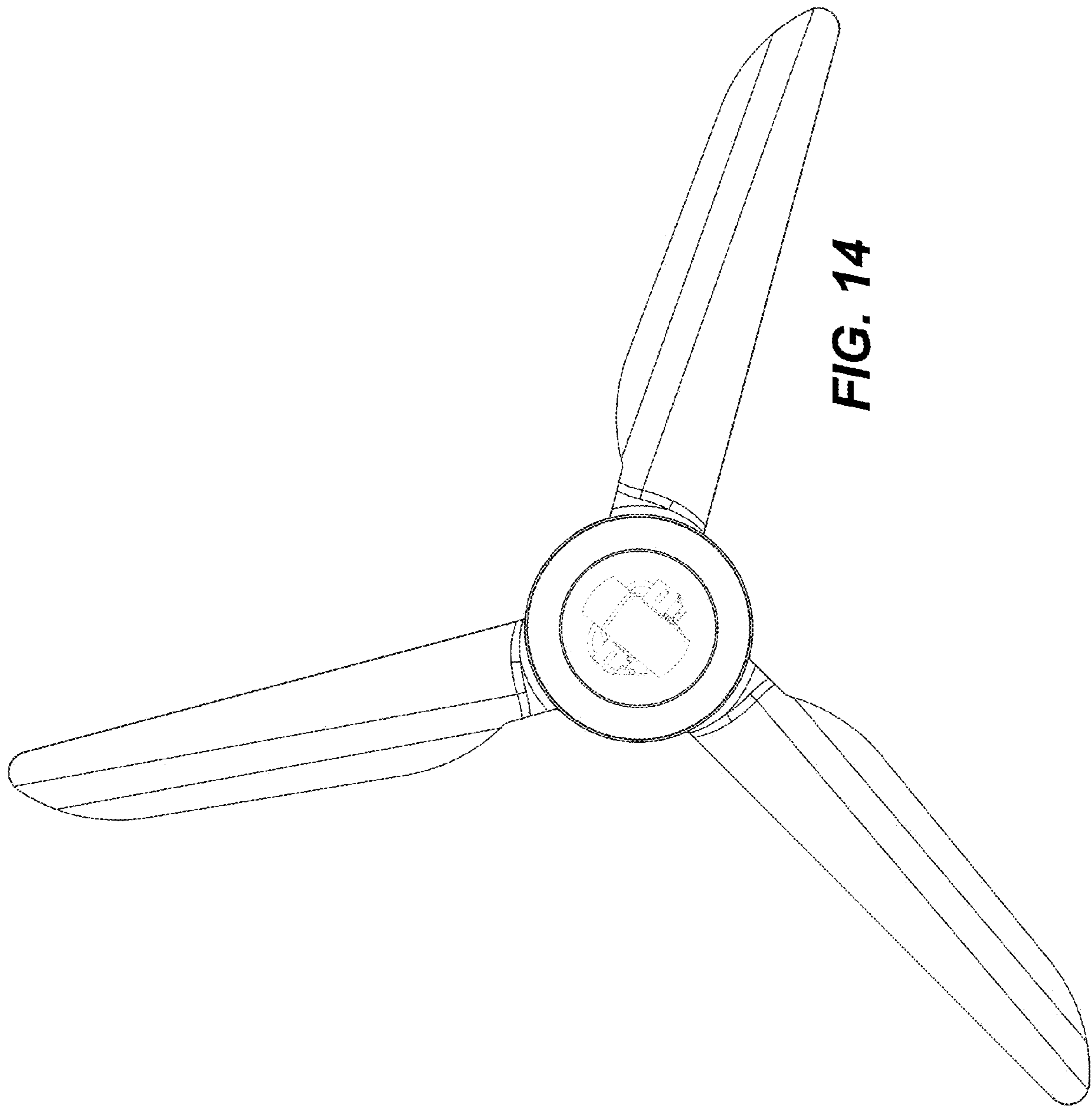


FIG. 14

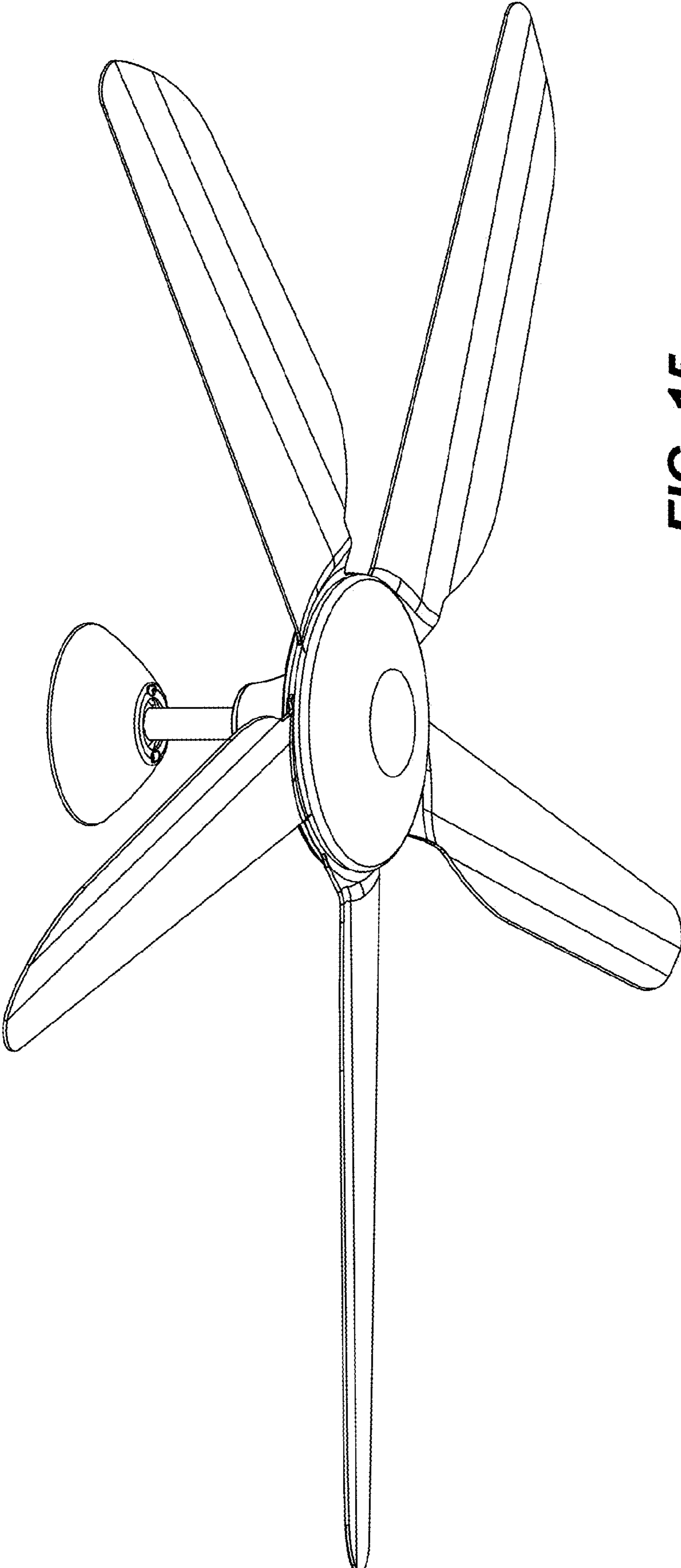


FIG. 15

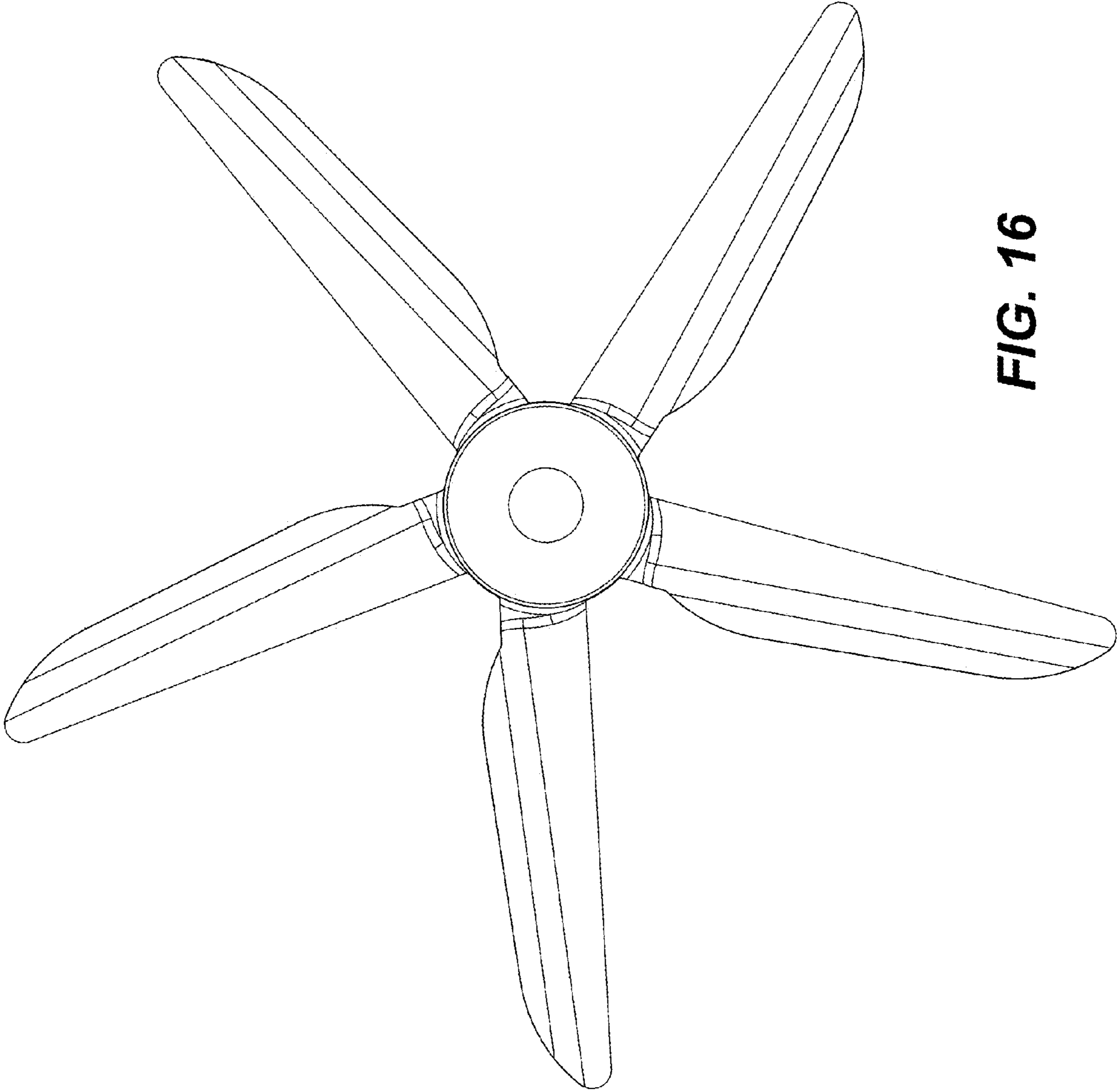


FIG. 16

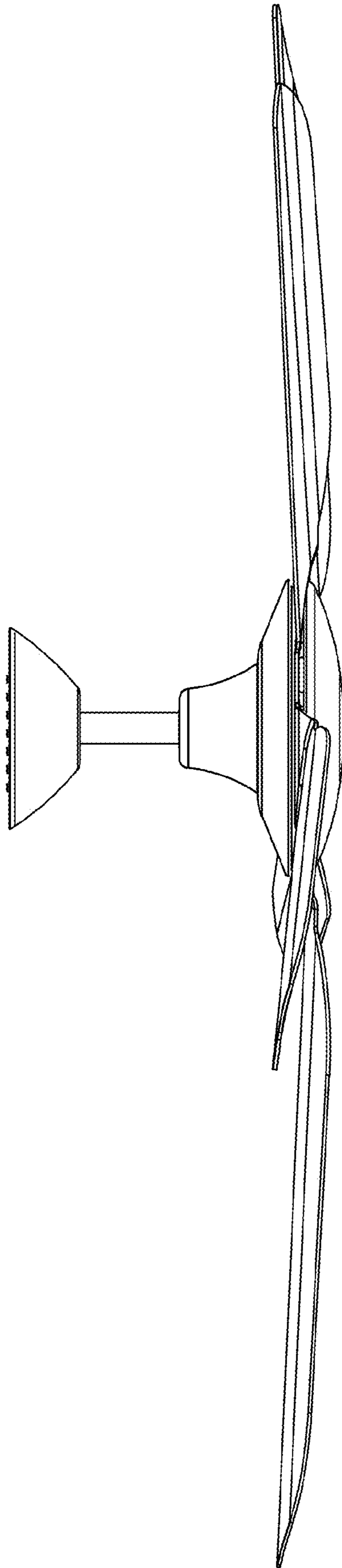


FIG. 17

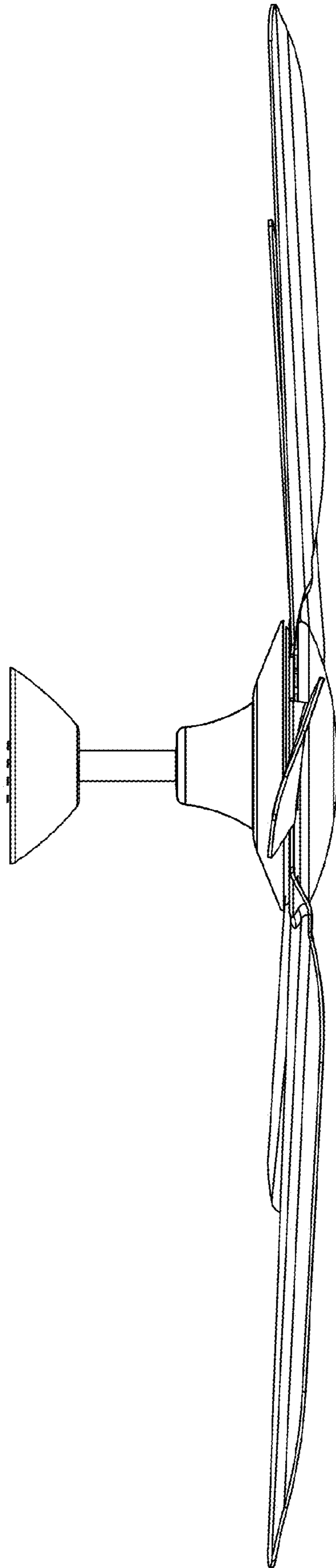


FIG. 18

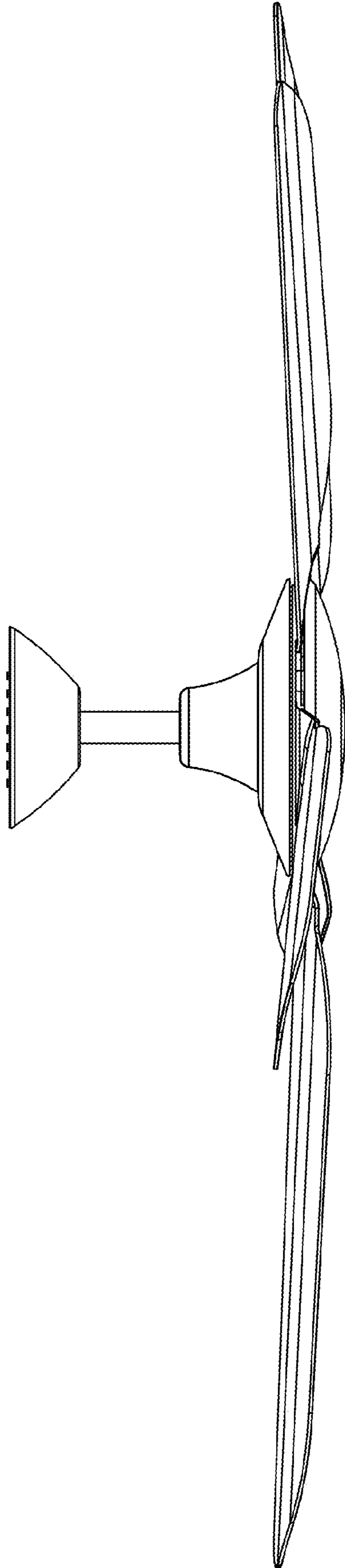


FIG. 19

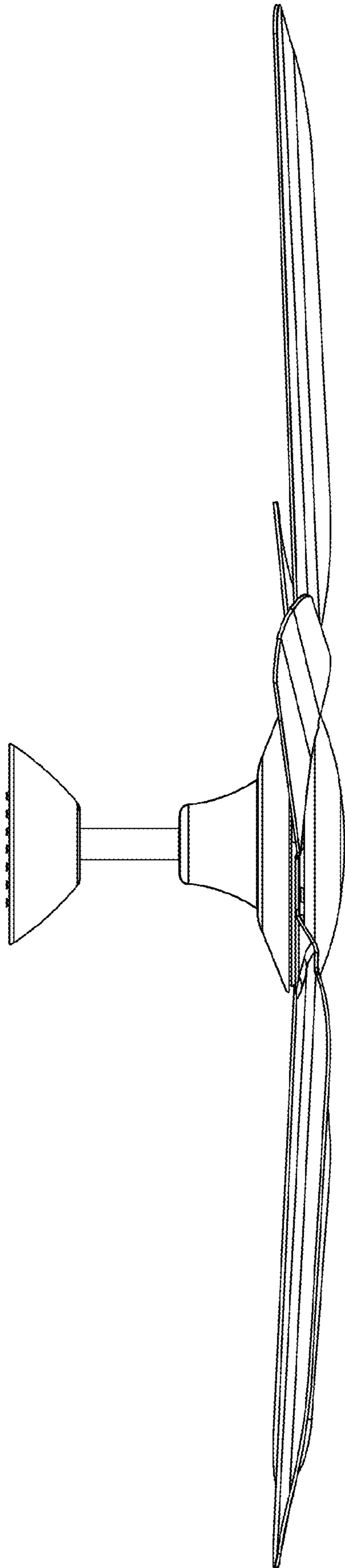


FIG. 20

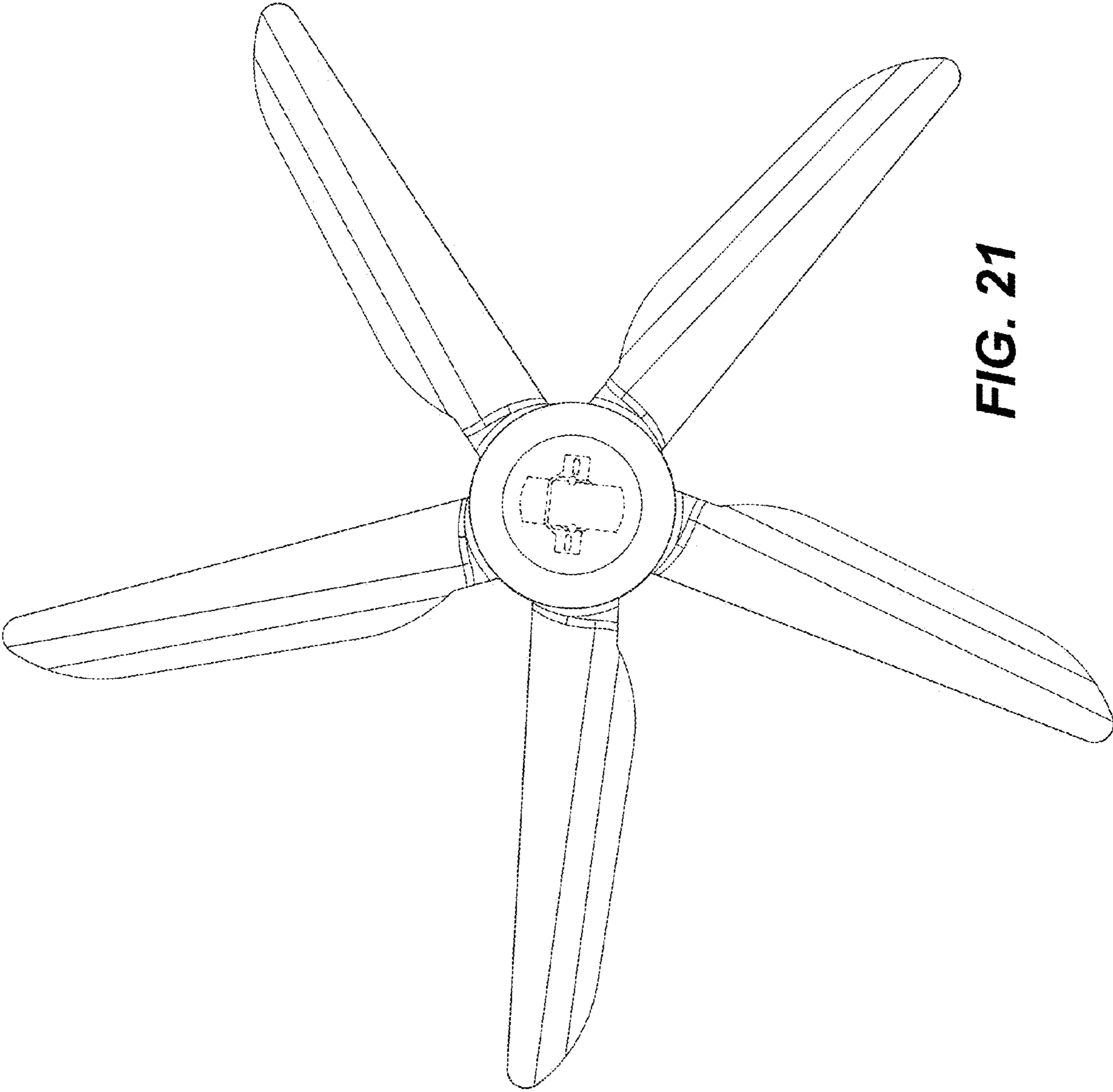


FIG. 21

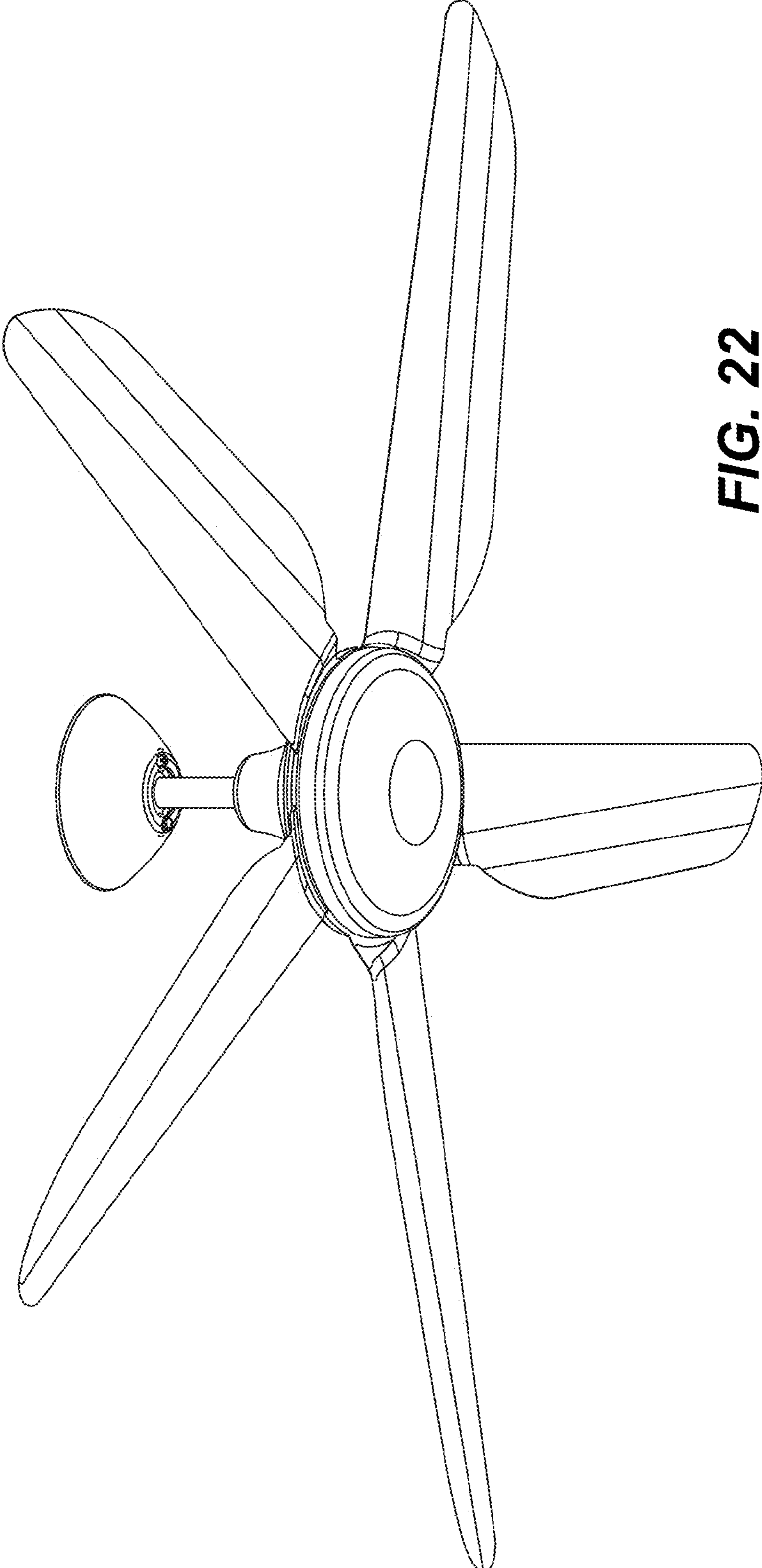
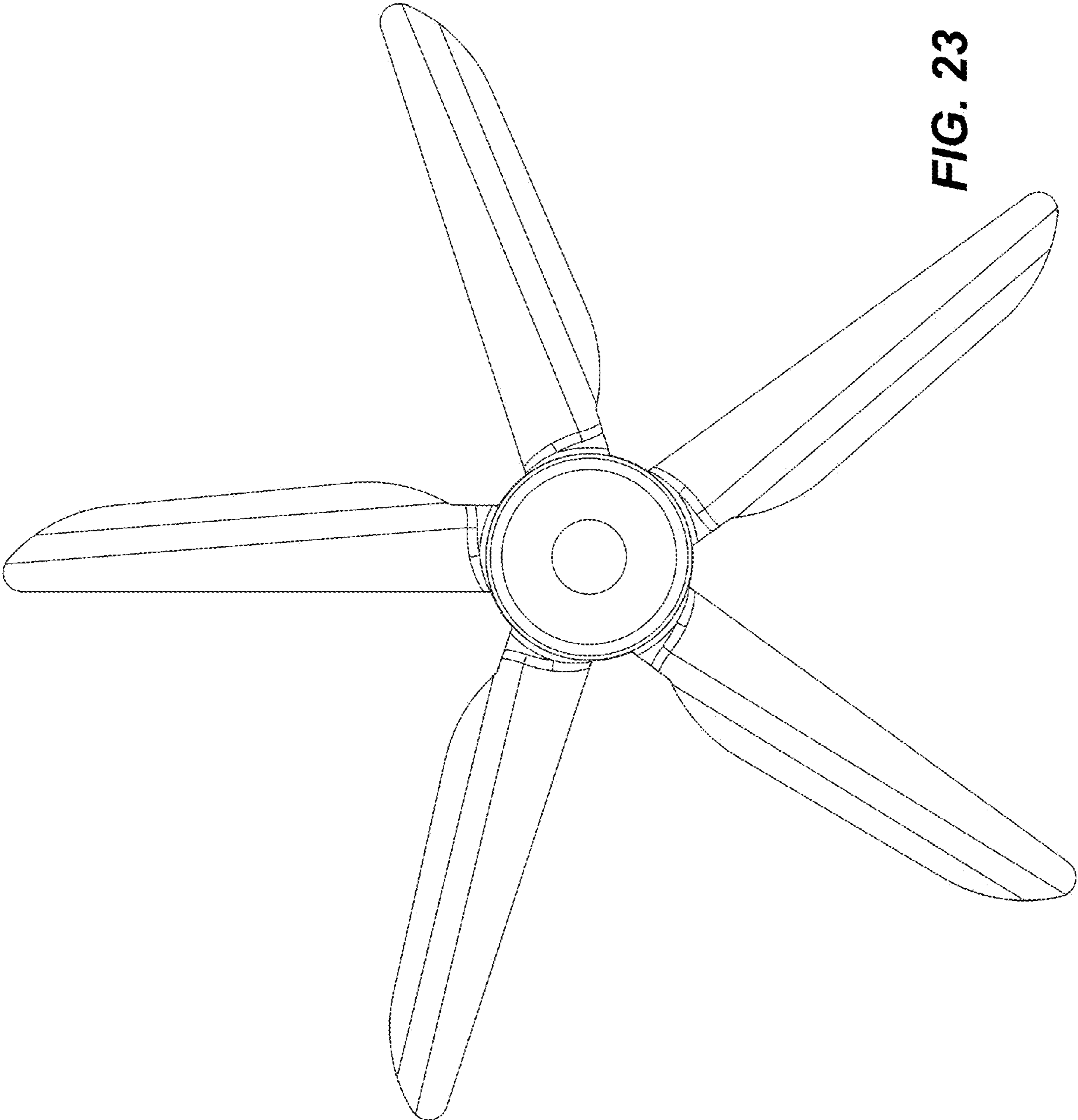


FIG. 22



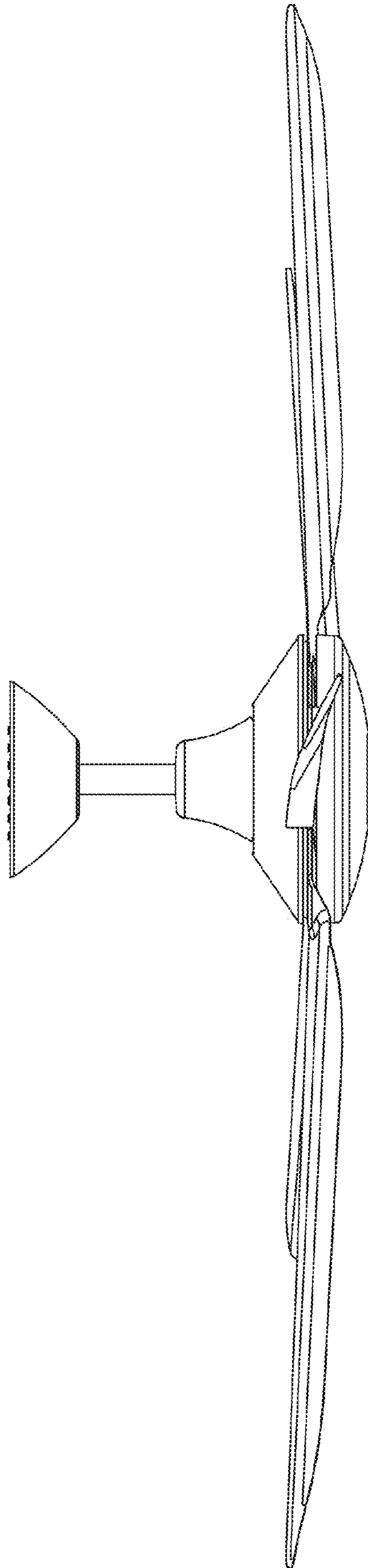


FIG. 24

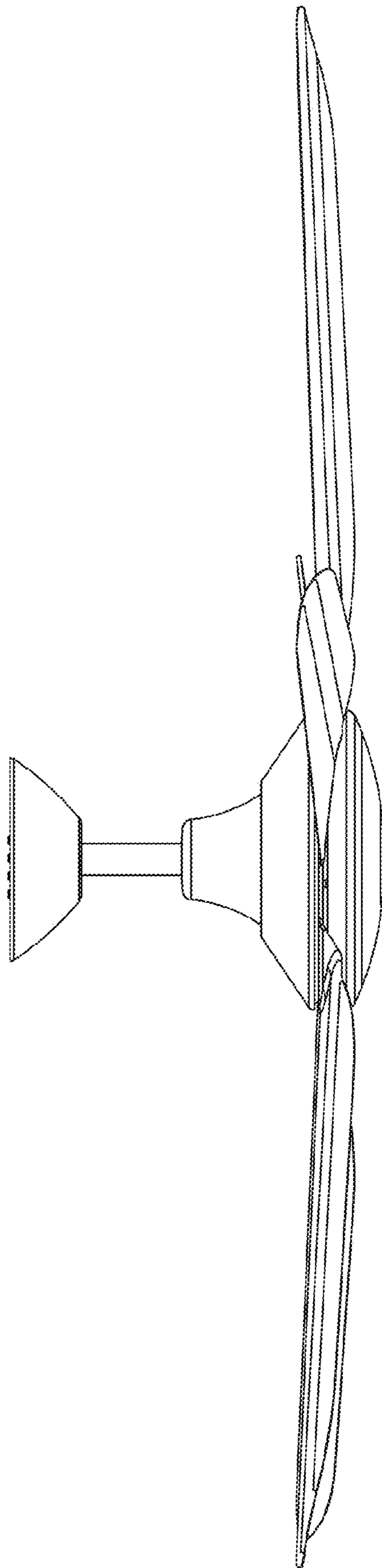


FIG. 25

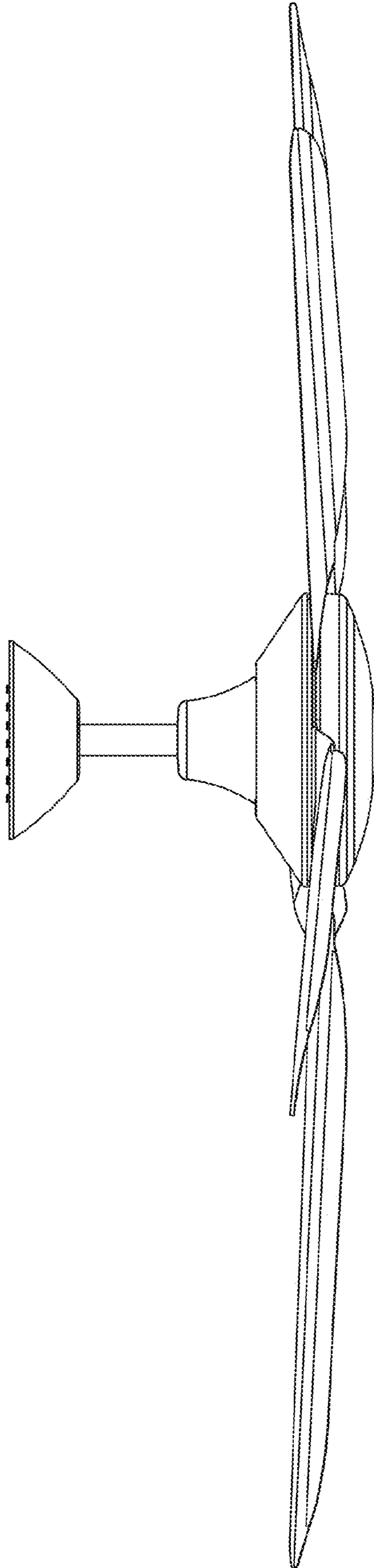


FIG. 26

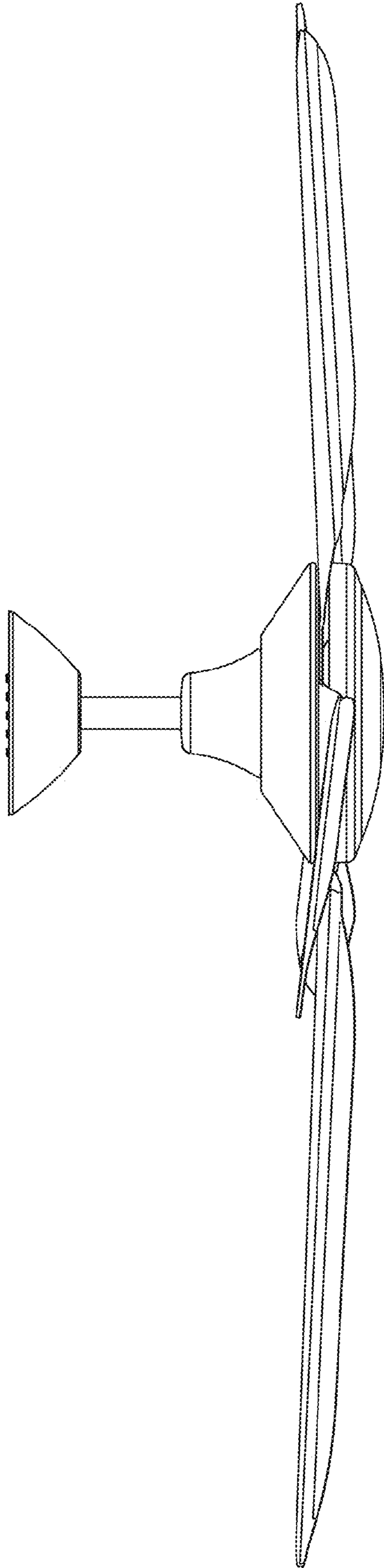


FIG. 27

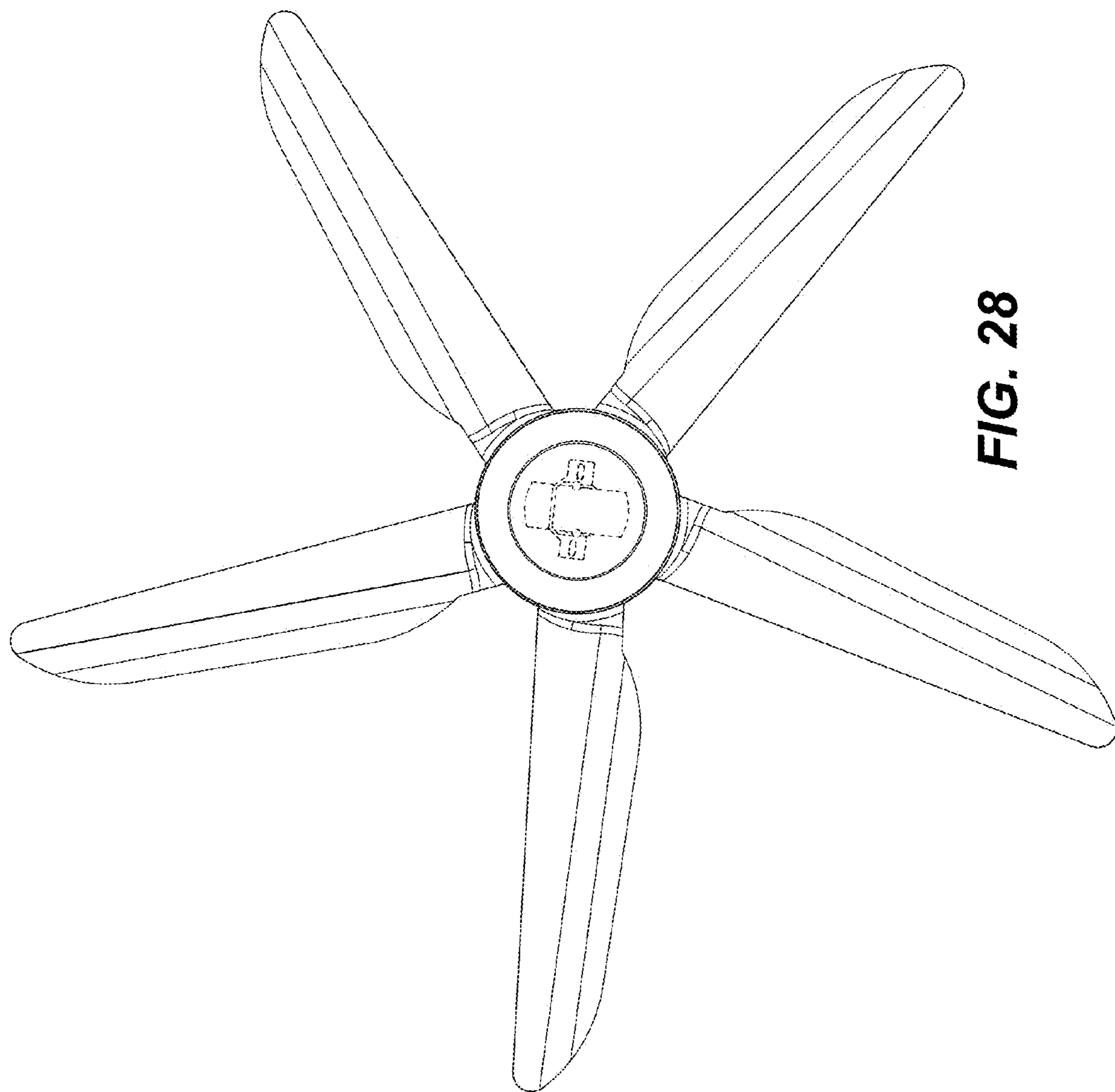


FIG. 28