



US00D947347S

(12) **United States Design Patent**
Lim et al.

(10) **Patent No.:** **US D947,347 S**
(45) **Date of Patent:** **** Mar. 29, 2022**

(54) **FILTER FOR BED MATTRESS**

(71) Applicant: **LG ELECTRONICS INC.**, Seoul (KR)

(72) Inventors: **Jaemyung Lim**, Seoul (KR); **Keunho Ju**, Seoul (KR); **Deung Hwangbo**, Seoul (KR); **Hojae Jung**, Seoul (KR); **Eunkyung Noh**, Seoul (KR); **Jeaseok Seong**, Seoul (KR)

(73) Assignee: **LG ELECTRONICS INC.**, Seoul (KR)

(**) Term: **15 Years**

(21) Appl. No.: **29/735,464**

(22) Filed: **May 21, 2020**

(30) **Foreign Application Priority Data**

Dec. 23, 2019 (KR) 30-2019-0062474

(51) **LOC (13) Cl.** **23-04**

(52) **U.S. Cl.**
USPC **D23/365**

(58) **Field of Classification Search**
USPC D23/200, 207, 209, 260, 261, 332, 333,
D23/351-367, 370, 388, 393, 397, 412;
D10/49; D13/168

CPC ... A61L 9/00; A61L 9/02; A61L 9/012; A61L 9/03;
A61L 9/032; A61L 9/035; A61L 9/037; A61L 9/04;
A61L 9/12; A61L 9/122; A61L 2209/16; F24F 1/01;
F24F 1/02; F24F 1/06; F24F 1/18; F24F 1/20;
F24F 1/22; F24F 1/24; F24F 1/32; F24F 1/62;
F24F 1/0011; F24F 1/0014; F24F 1/0007;
F24F 1/0018; F24F 1/0022; F24F 1/0029;
F24F 1/0033; F24F 3/00; F24F 3/12; F24F 3/14;
F24F 3/16; F24F 3/044; F24F 3/048; F24F 3/065;
F24F 5/001; F24F 5/0017; F24F 5/0035; F24F 5/0003;
F24F 7/013; F24F 7/10; F24F 7/0227;

F24F 6/06; B01D 46/008; B01D 46/0002;
B01D 46/0005; B01D 46/0006; B01D 46/0008;
B01D 46/0009; B01D 46/0013; B01D 46/0028;
B01D 46/0032; B01D 46/0036; B01D 46/0043;
B01D 46/10; B01D 46/12; B01D 46/2422; B01D 46/4236;
B01D 46/4245; B01D 46/521; B01D 2267/60

See application file for complete search history.

(56) **References Cited**

U.S. PATENT DOCUMENTS

D605,274 S * 12/2009 Kawano D23/365
D754,315 S * 4/2016 Morin D23/365
D824,505 S * 7/2018 Mork D23/365

(Continued)

Primary Examiner — Gino Colan

Assistant Examiner — David OBrien

(74) *Attorney, Agent, or Firm* — Birch, Stewart, Kolasch & Birch, LLP

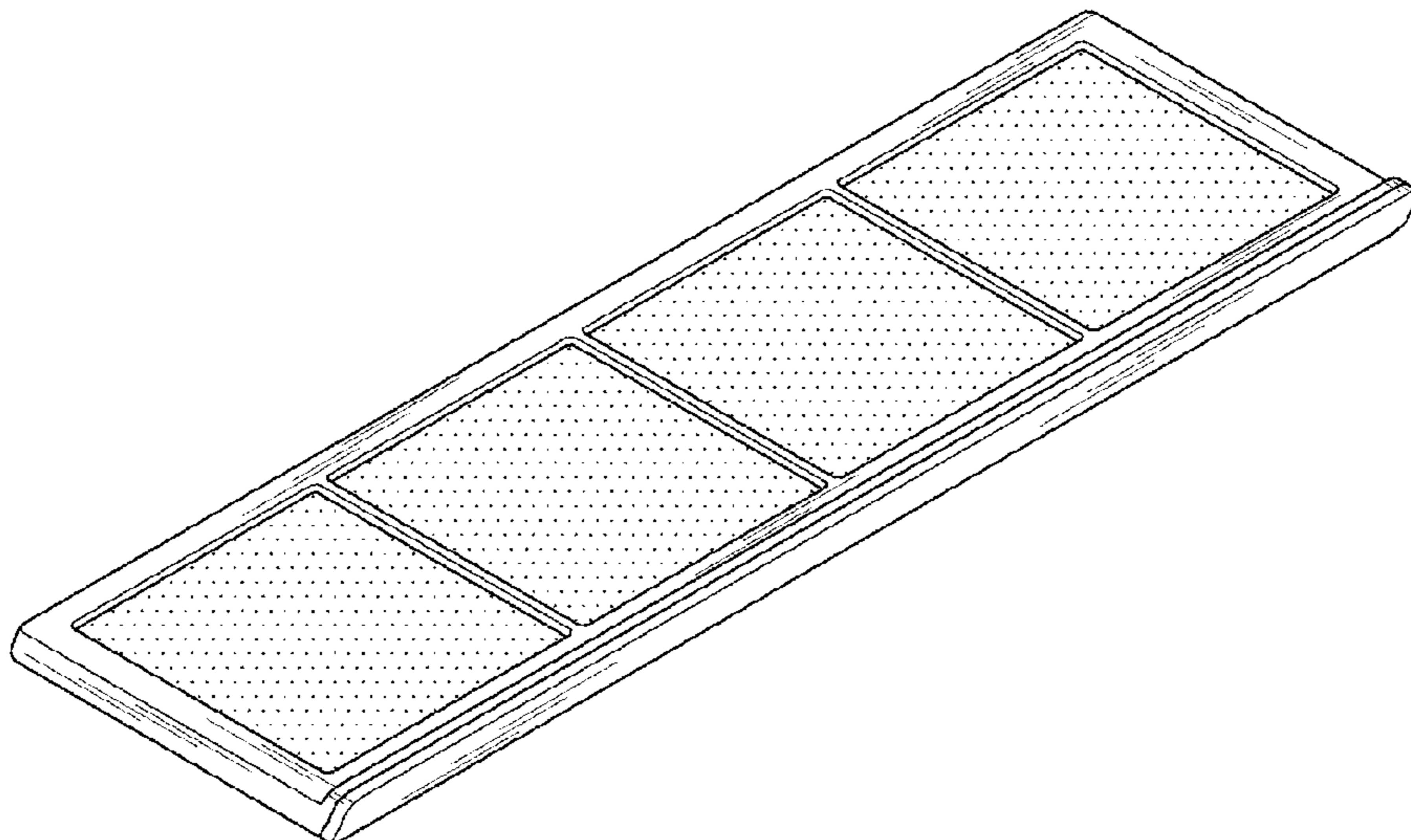
(57) **CLAIM**

We claim the ornamental design for a filter for bed mattress, as shown and described.

DESCRIPTION

FIG. 1 is a perspective view of a filter for bed mattress showing the new design;
FIG. 2 is a front elevation view thereof;
FIG. 3 is a rear elevation view thereof;
FIG. 4 is a left-side elevation view thereof;
FIG. 5 is a right-side elevation view thereof;
FIG. 6 is a top plan view thereof;
FIG. 7 is a bottom plan view thereof; and,
FIG. 8 is a perspective view showing a state of use thereof. The broken lines in FIG. 8 are for purpose of illustrating an environment of use and form no part of the claimed design.

1 Claim, 8 Drawing Sheets



(56)

References Cited

U.S. PATENT DOCUMENTS

D938,005 S * 12/2021 Kyung D23/365
2011/0225939 A1* 9/2011 Loggins B01D 46/0005
55/357
2017/0007951 A1* 1/2017 DeChristofaro B01D 46/10
2018/0015404 A1* 1/2018 Branzelle B01D 46/0009
2019/0105593 A1* 4/2019 Krull B01D 46/008

* cited by examiner

FIG. 1

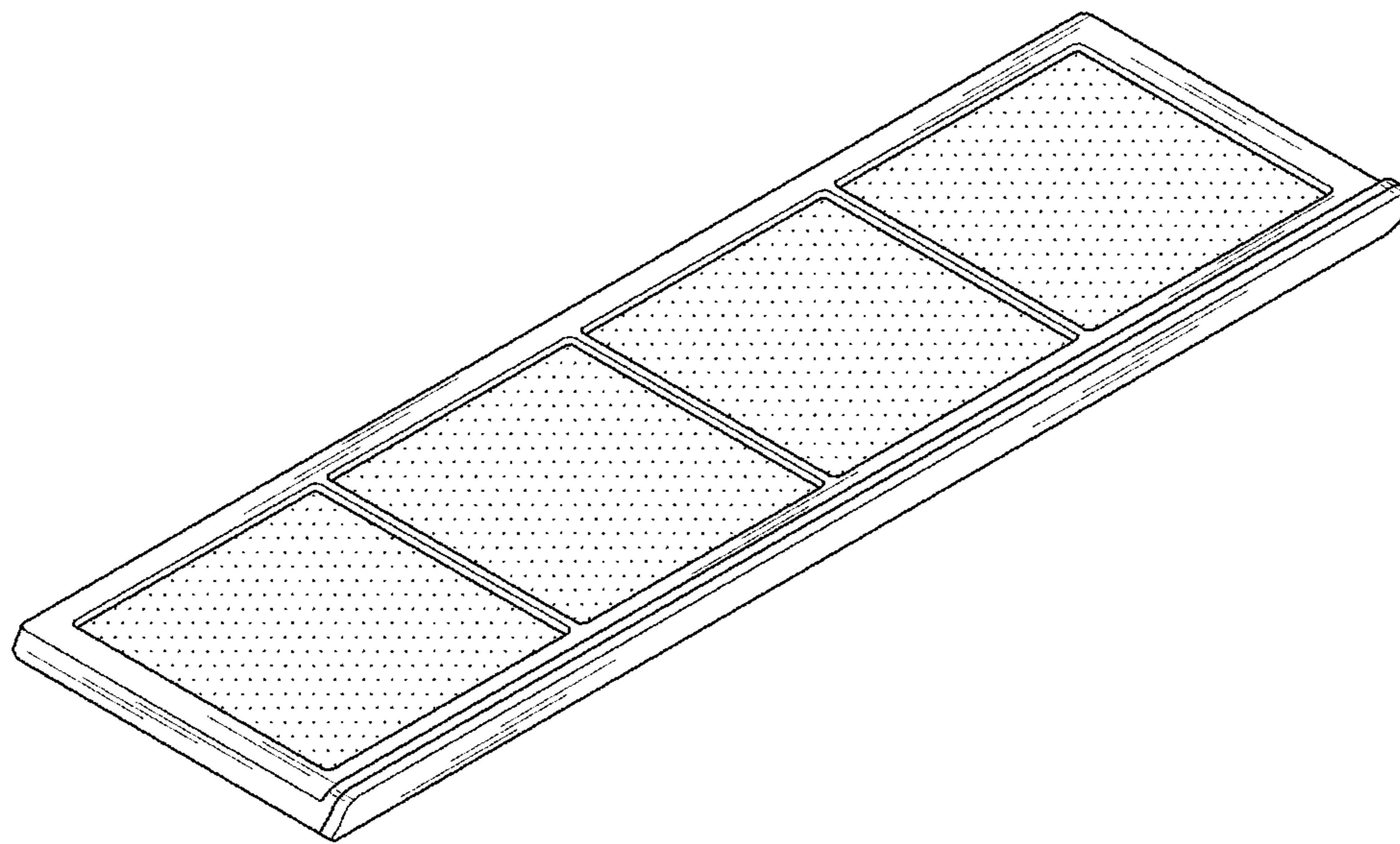


FIG. 2

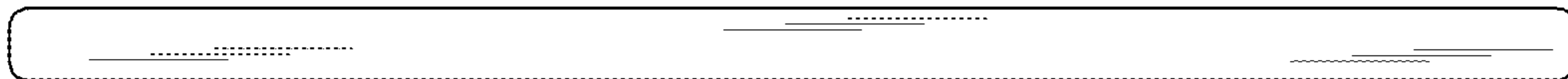


FIG. 3

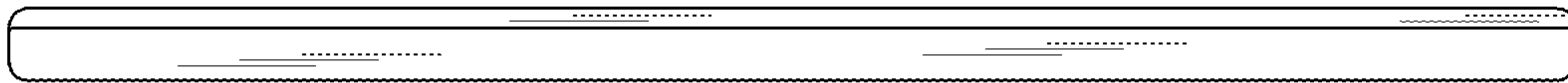


FIG. 4

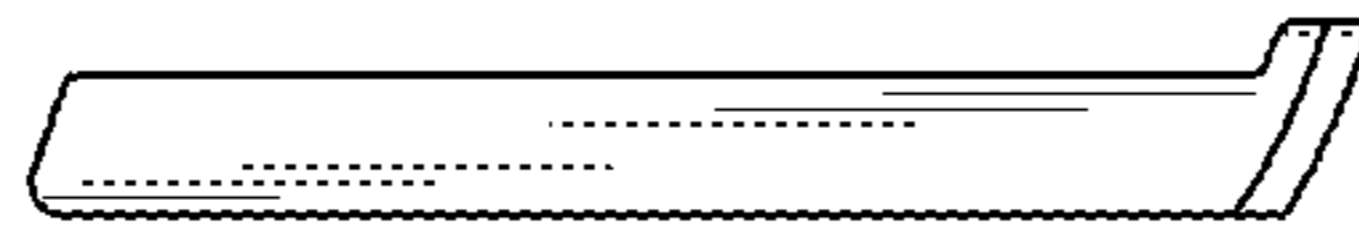


FIG. 5

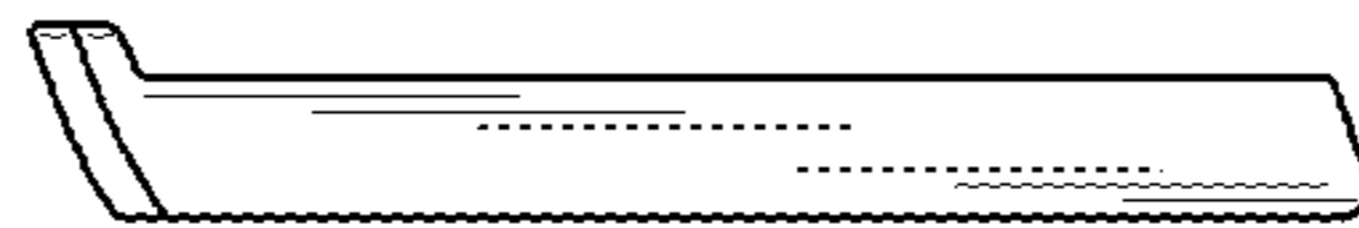


FIG. 6

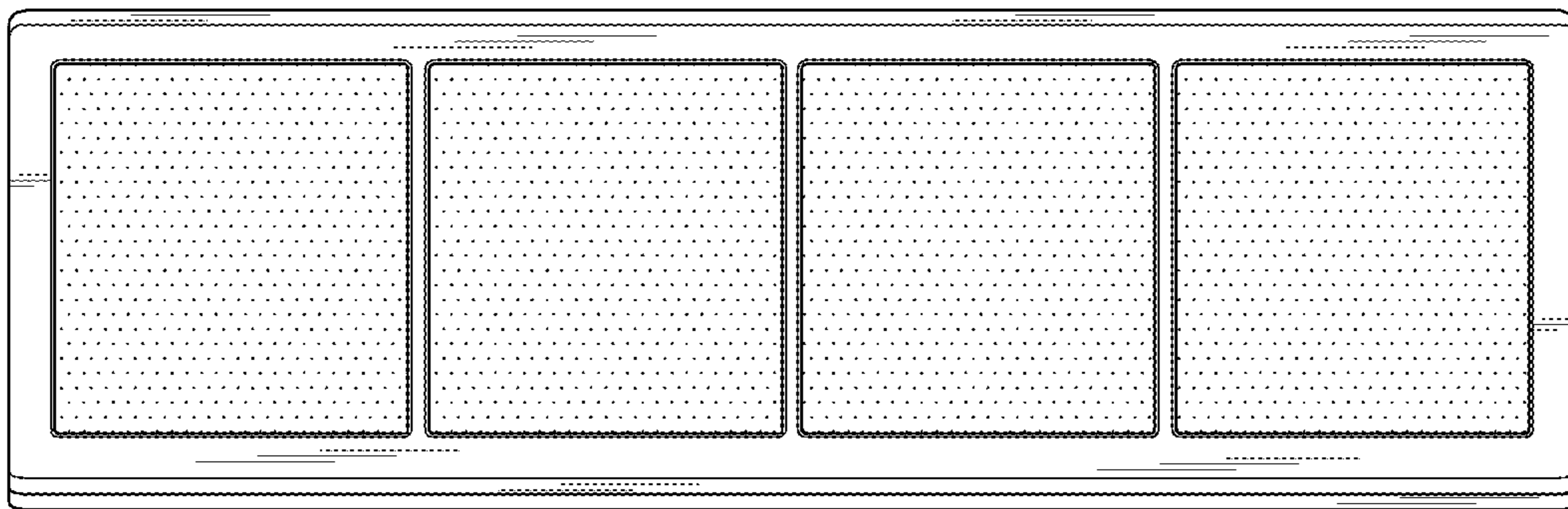


FIG. 7

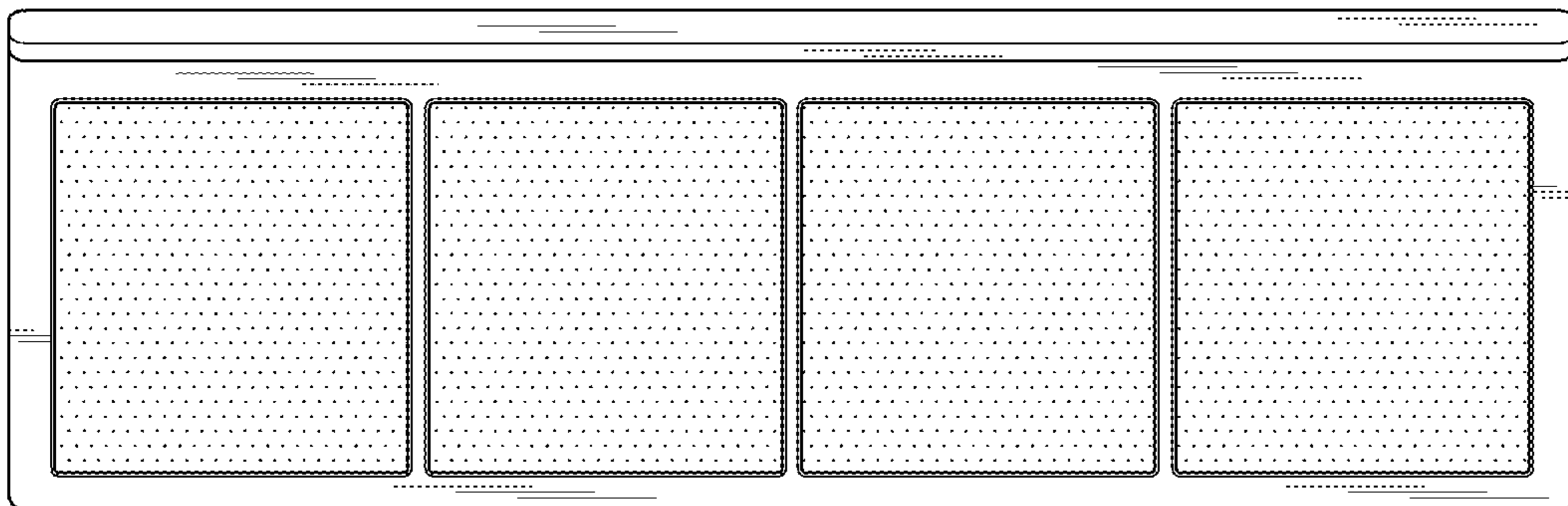


FIG. 8

