



US00D947344S

(12) **United States Design Patent**  
**Jiang**

(10) **Patent No.:** **US D947,344 S**  
(45) **Date of Patent:** **\*\* Mar. 29, 2022**

- (54) **PERSONAL AIR FILTER**
- (71) Applicant: **Guangzhou Newsuo Environment Protection Equipment Co., Ltd.,**  
Guangdong (CN)
- (72) Inventor: **Yanting Jiang,** Guangdong (CN)
- (73) Assignee: **Guangzhou Newsuo Environment Protection Equipment Co., Ltd.,**  
Guangzhou (CN)

D849,218 S *	5/2019	Liang .....	D23/356
D854,134 S *	7/2019	Jessup .....	D23/364
D866,520 S *	11/2019	Kim .....	D14/216
D881,367 S *	4/2020	Kihm .....	D23/366
D892,288 S *	8/2020	Baillie .....	D23/356
D892,289 S *	8/2020	Baillie .....	D23/356
D906,500 S *	12/2020	Seo .....	D23/356
D916,262 S *	4/2021	Wang .....	D23/356
D920,494 S *	5/2021	Shah .....	D23/366

(Continued)

- (\*\*) Term: **15 Years**
- (21) Appl. No.: **29/778,569**
- (22) Filed: **Apr. 14, 2021**

**Related U.S. Application Data**

- (63) Continuation of application No. 29/686,892, filed on Apr. 9, 2019, now abandoned.
- (51) **LOC (13) Cl.** ..... **23-04**
- (52) **U.S. Cl.**  
USPC ..... **D23/364**
- (58) **Field of Classification Search**  
USPC ..... D23/209, 314, 325, 333-336, 355-366,  
D23/386-388  
CPC ..... B32B 2597/00; B01D 46/00; B01D  
46/0004; B01D 27/04; F25D 17/042;  
A61L 9/01  
See application file for complete search history.

(56) **References Cited**

**U.S. PATENT DOCUMENTS**

D716,427 S *	10/2014	Lim .....	D23/364
D792,397 S *	7/2017	Ma .....	D14/358
D810,265 S *	2/2018	Chen .....	D23/366
D832,414 S *	10/2018	Sharma .....	D23/364
D834,694 S *	11/2018	Walter .....	D23/366
D847,323 S *	4/2019	Gan .....	D23/356

**OTHER PUBLICATIONS**

NS Breathe Clean Personal Smoke Filter [Jan. 11, 2022] found online [Jan. 11, 2022]—<https://newsuo.com/en/product/product-86-123.html>.\*

*Primary Examiner* — John A Voytek

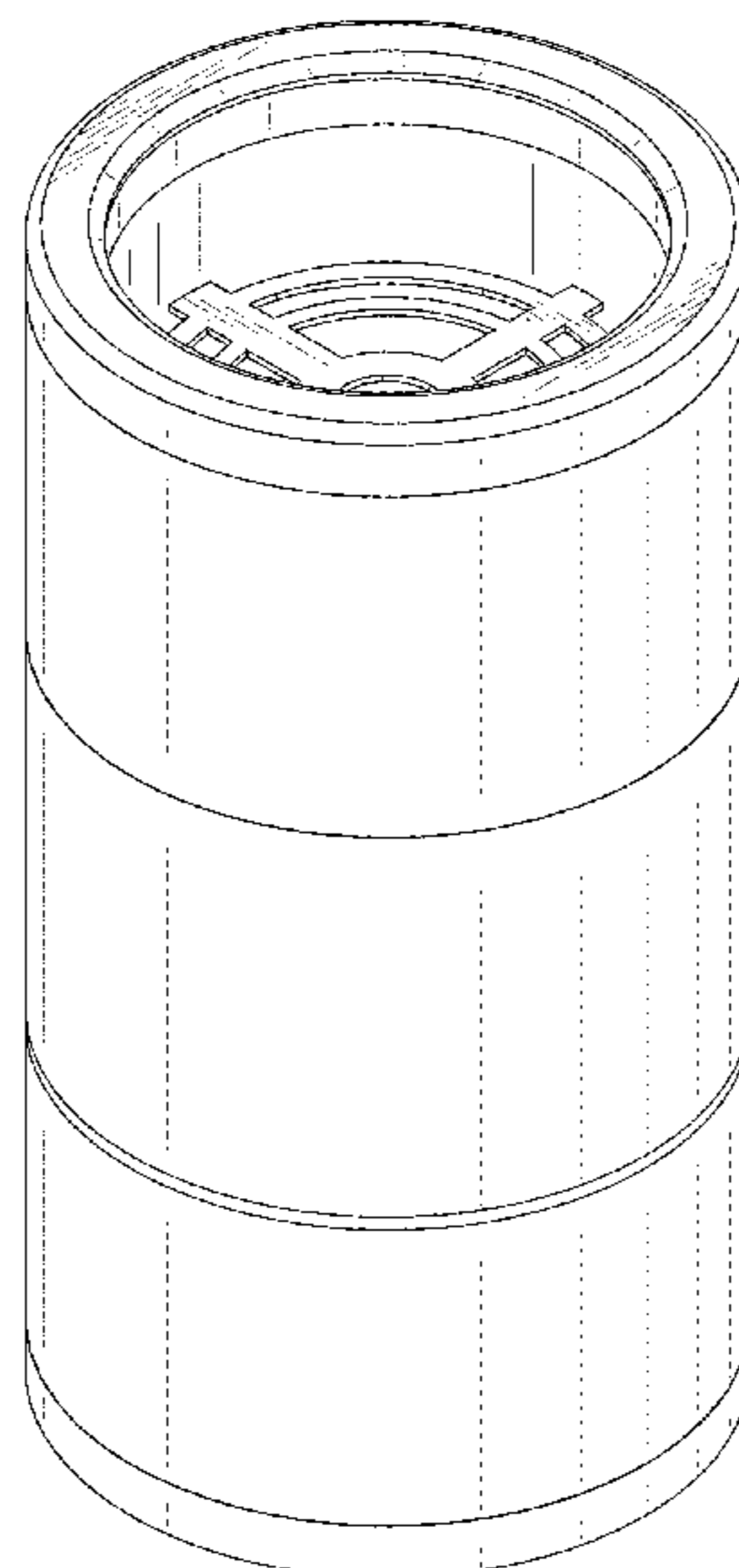
(57) **CLAIM**

The ornamental design for a personal air filter, as shown and described.

**DESCRIPTION**

FIG. 1 is a front elevational view of a personal air filter showing my new design;  
 FIG. 2 is a rear elevational view thereof;  
 FIG. 3 is a left side view thereof;  
 FIG. 4 is a right side view thereof;  
 FIG. 5 is a top plan view thereof;  
 FIG. 6 is a bottom plan view thereof;  
 FIG. 7 is a top perspective view thereof;  
 FIG. 8 is a bottom perspective view thereof;  
 FIG. 9 is a bottom perspective view showing the personal air filter in a disassembled state;  
 FIG. 10 is a top perspective view showing the personal air filter in a disassembled state; and,  
 FIG. 11 is an enlarged view of portion 11 in FIG. 9.  
 The broken lines in the drawings illustrate portions of the personal air filter which form no part of the claimed design.

**1 Claim, 11 Drawing Sheets**



(56)

**References Cited**

U.S. PATENT DOCUMENTS

D925,719 S \* 7/2021 Lee ..... D23/366  
2010/0037570 A1\* 2/2010 Osendorf ..... B01D 46/521  
55/355

\* cited by examiner

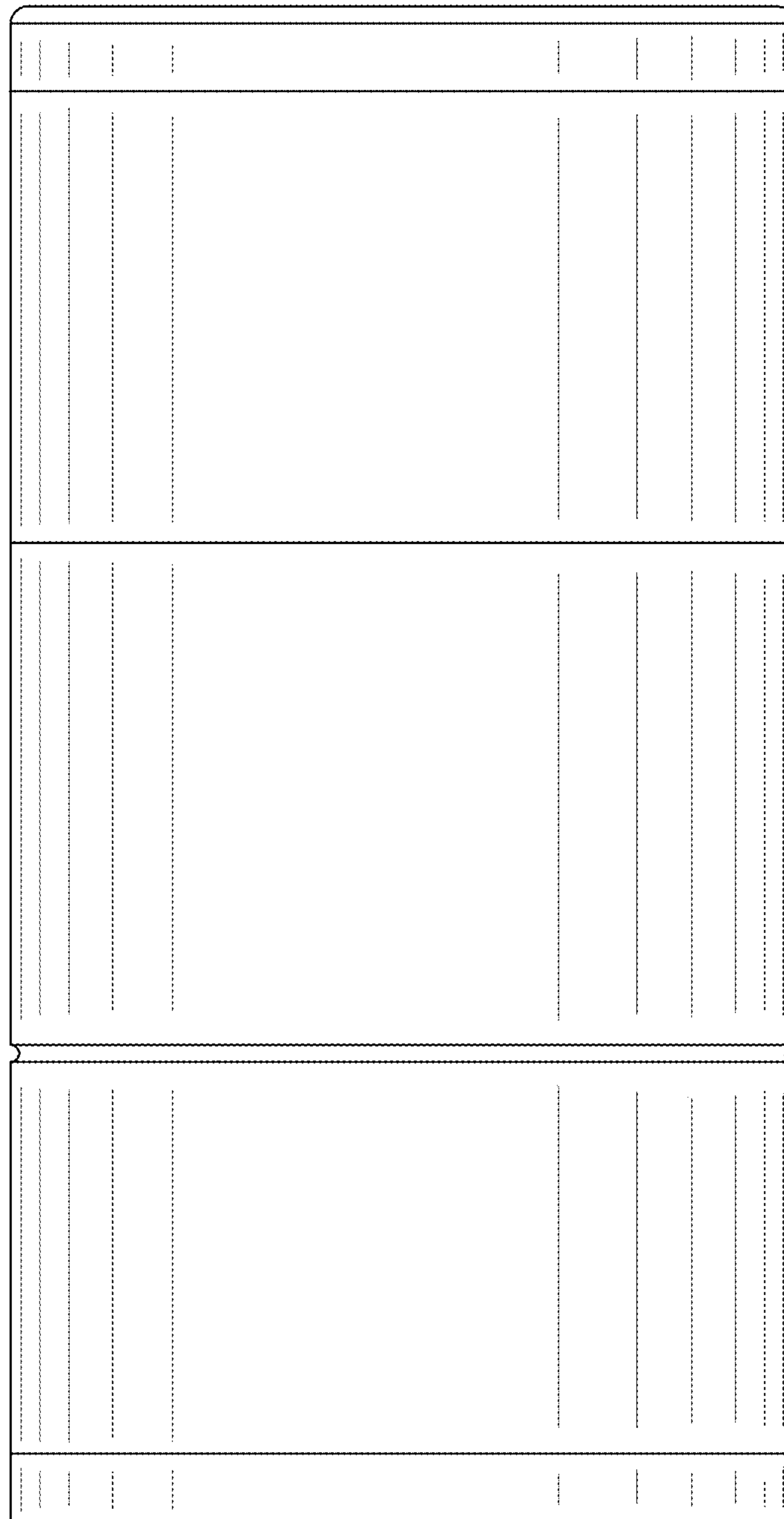


FIG. 1

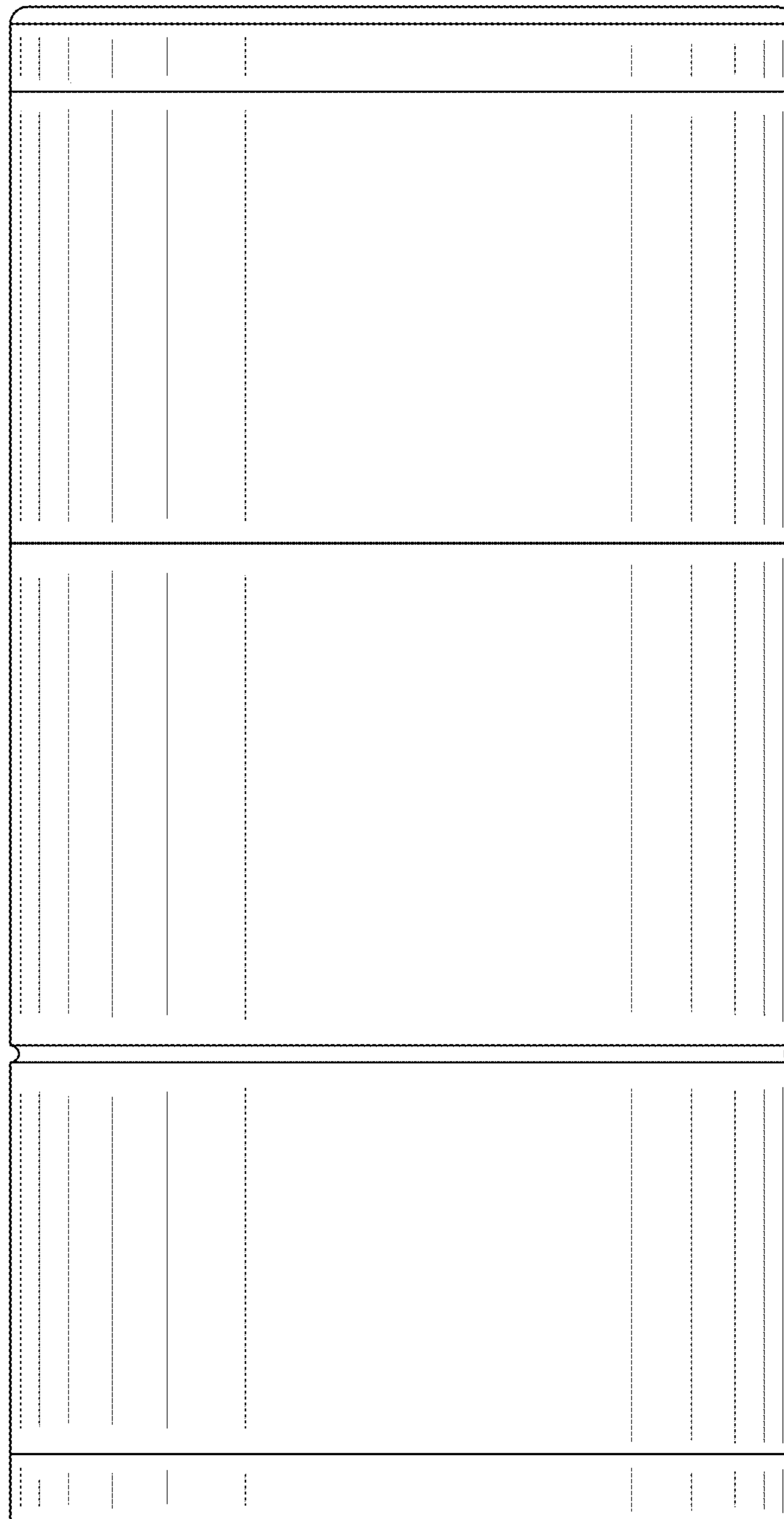


FIG. 2

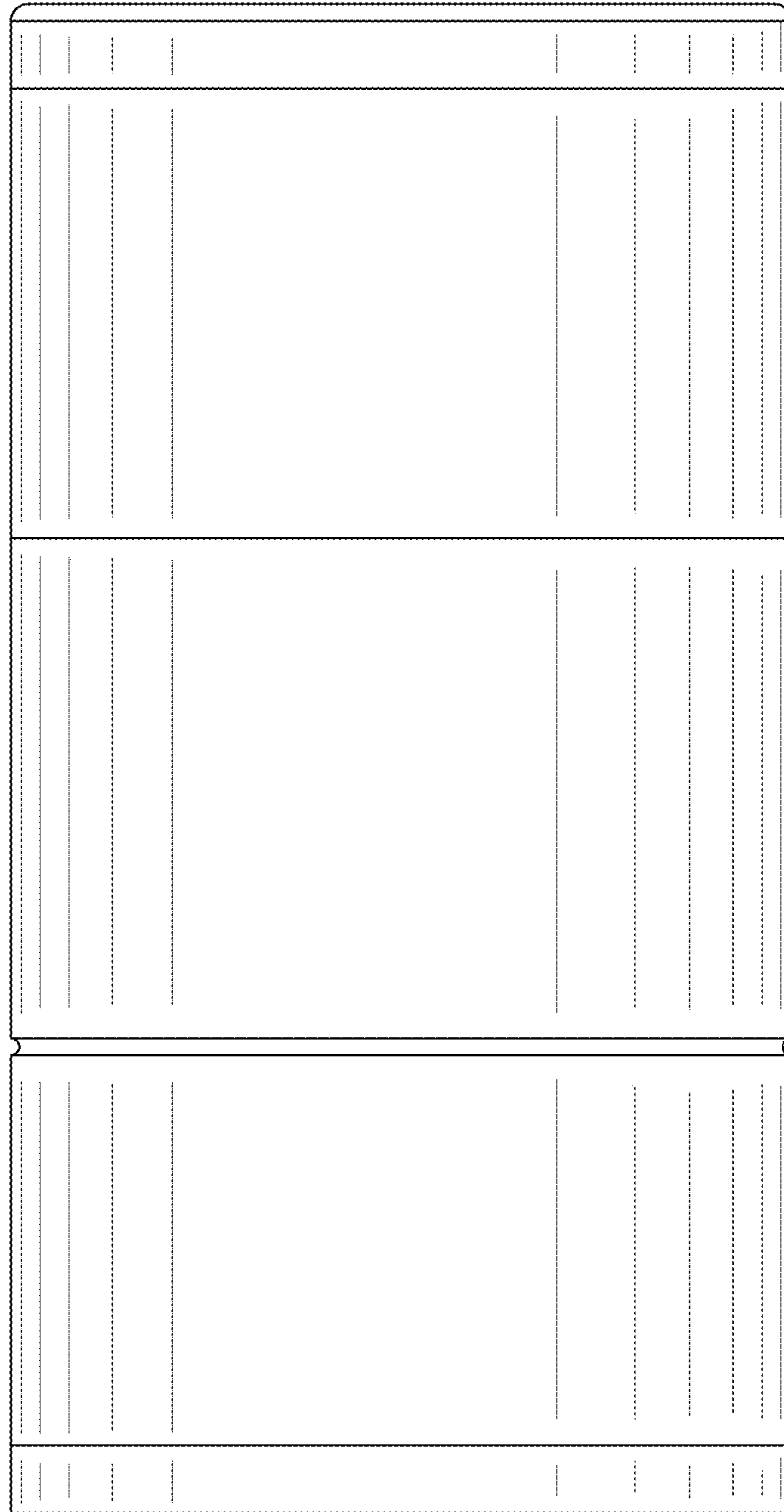


FIG. 3

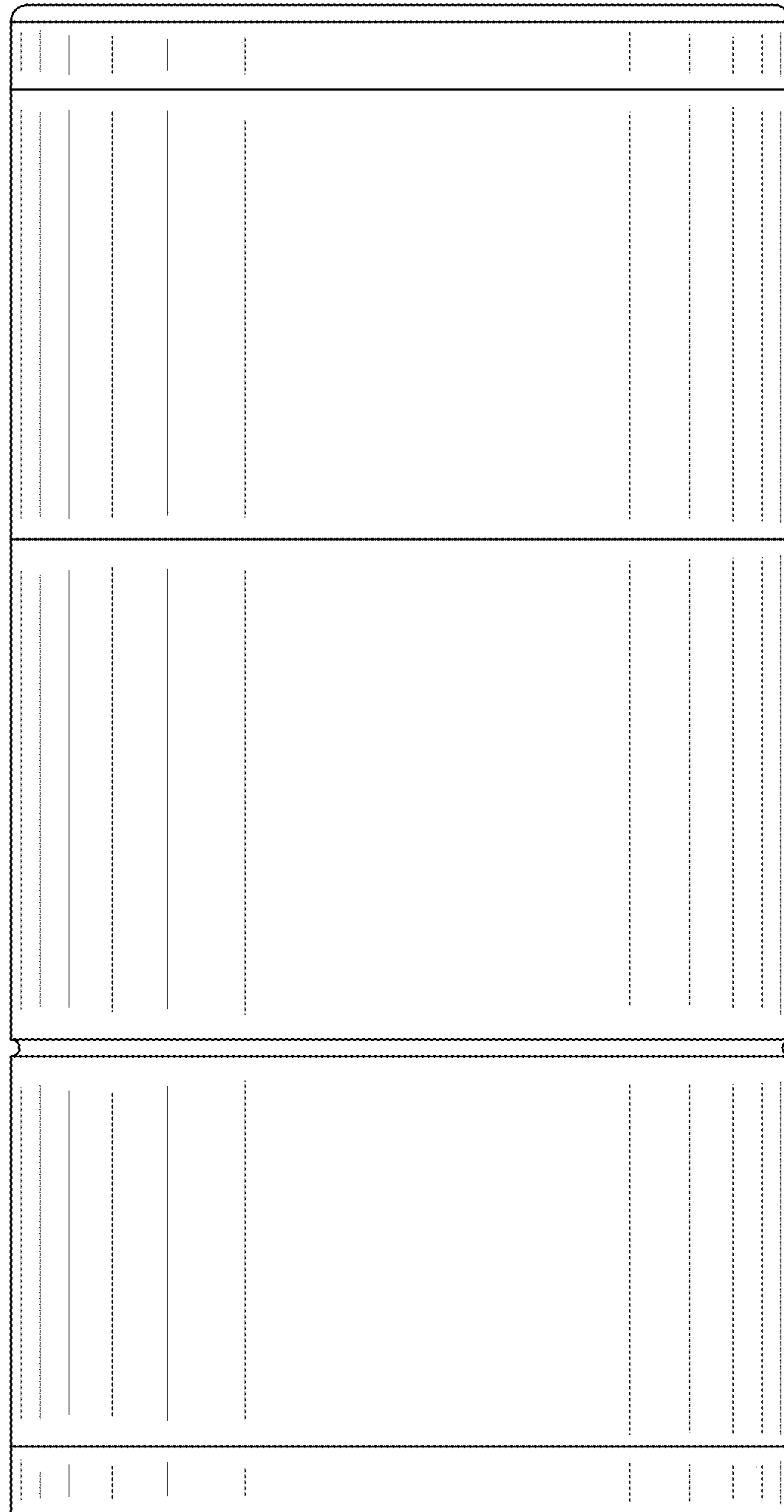


FIG. 4

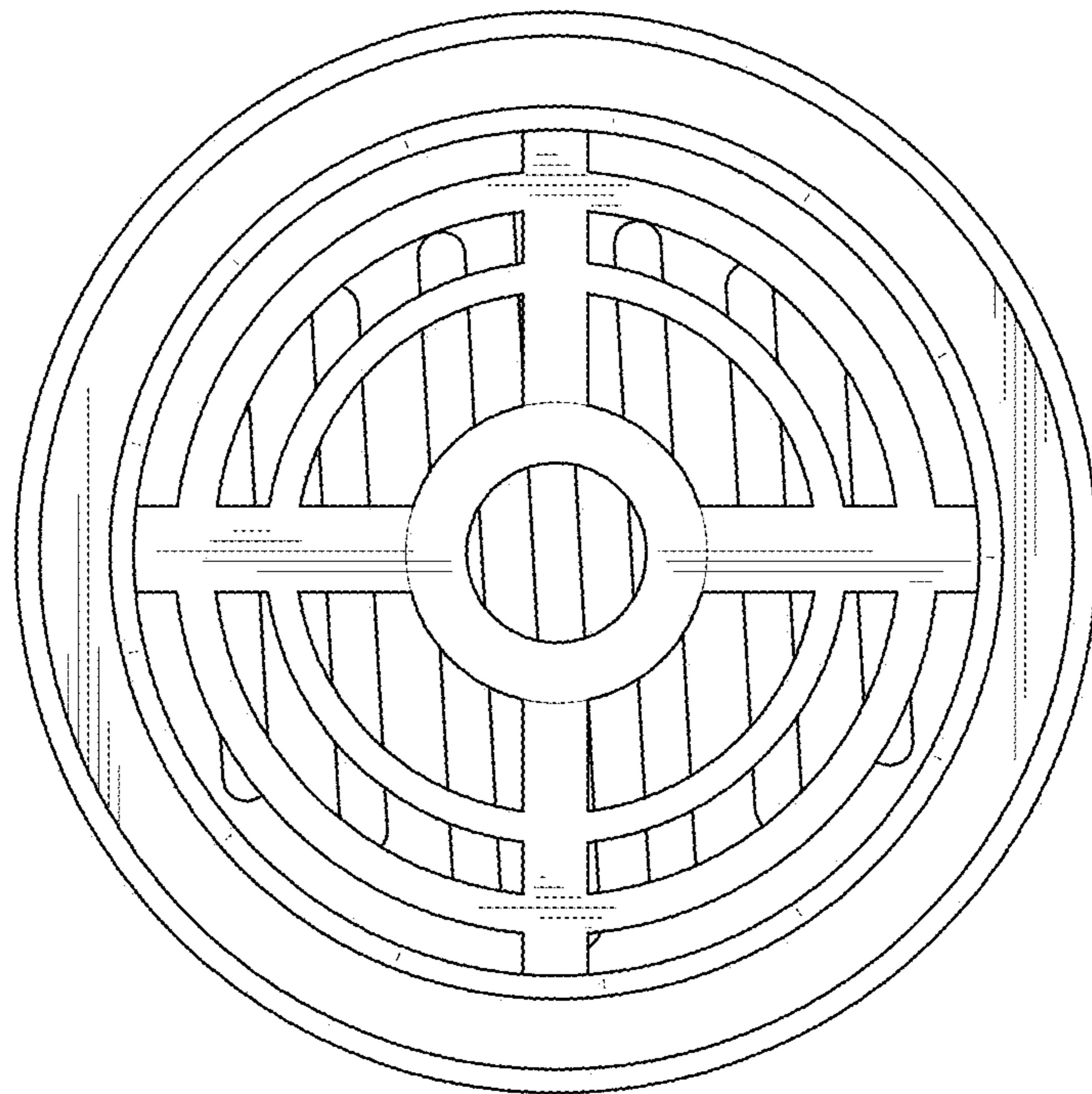


FIG. 5

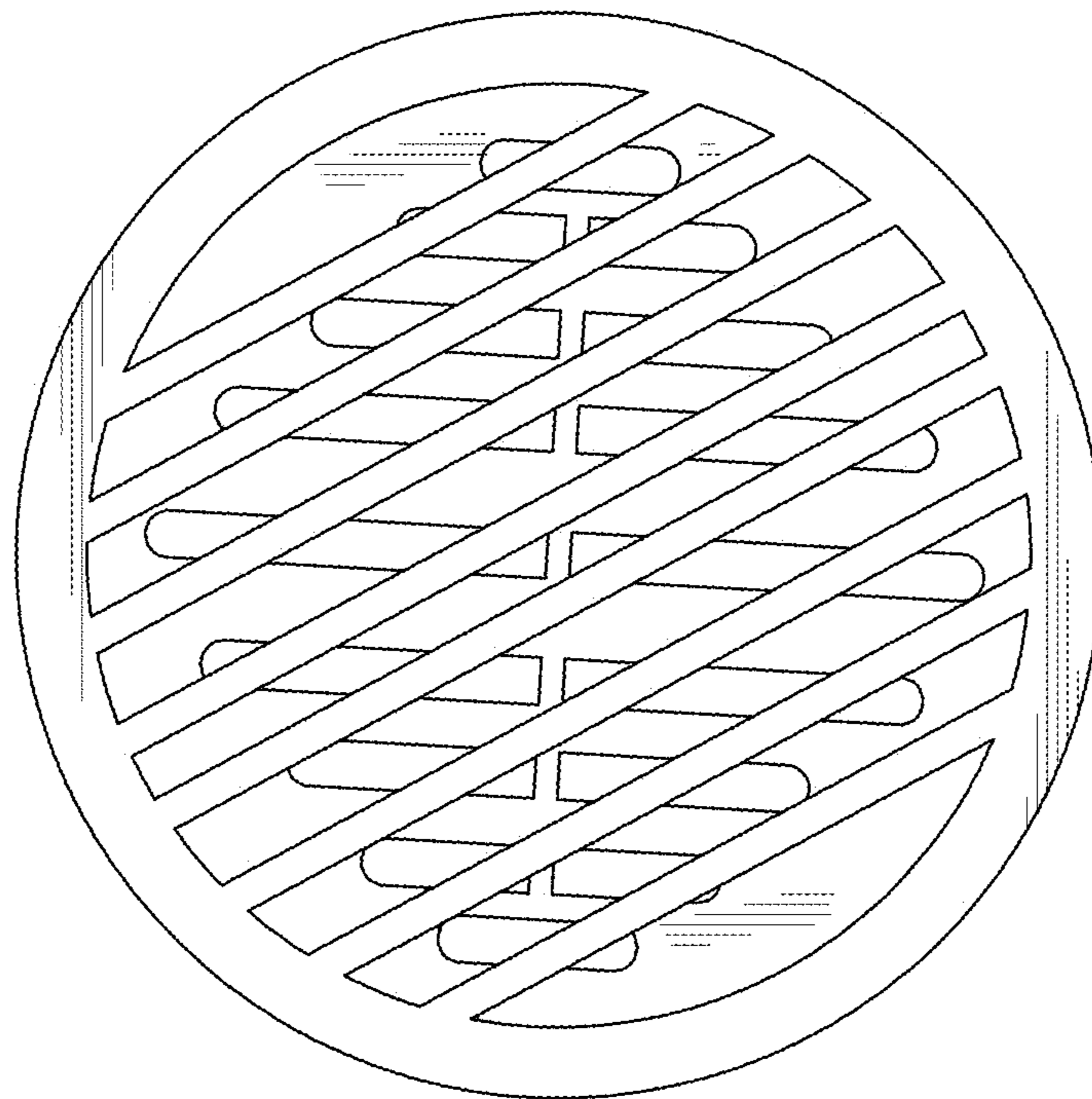


FIG. 6



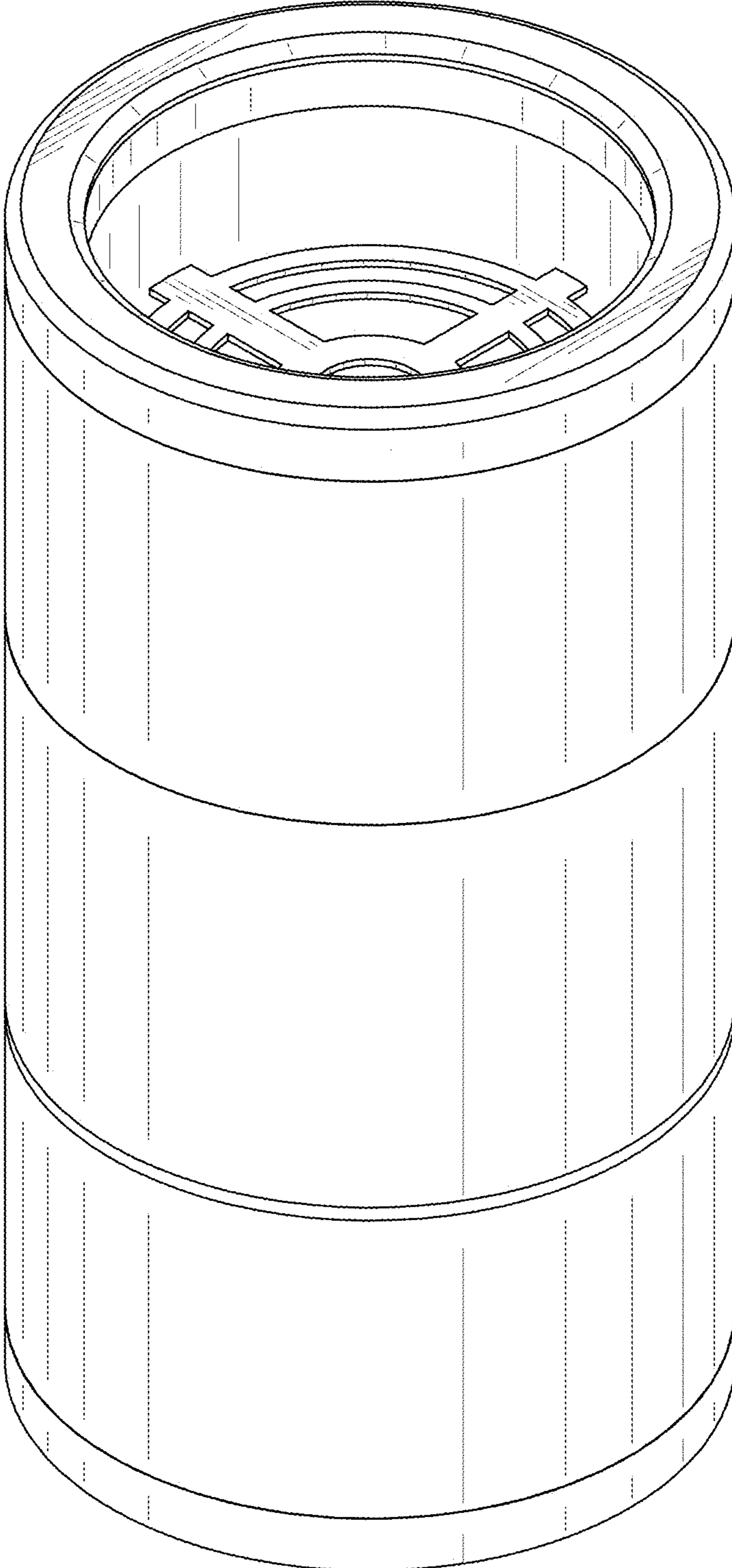


FIG. 7

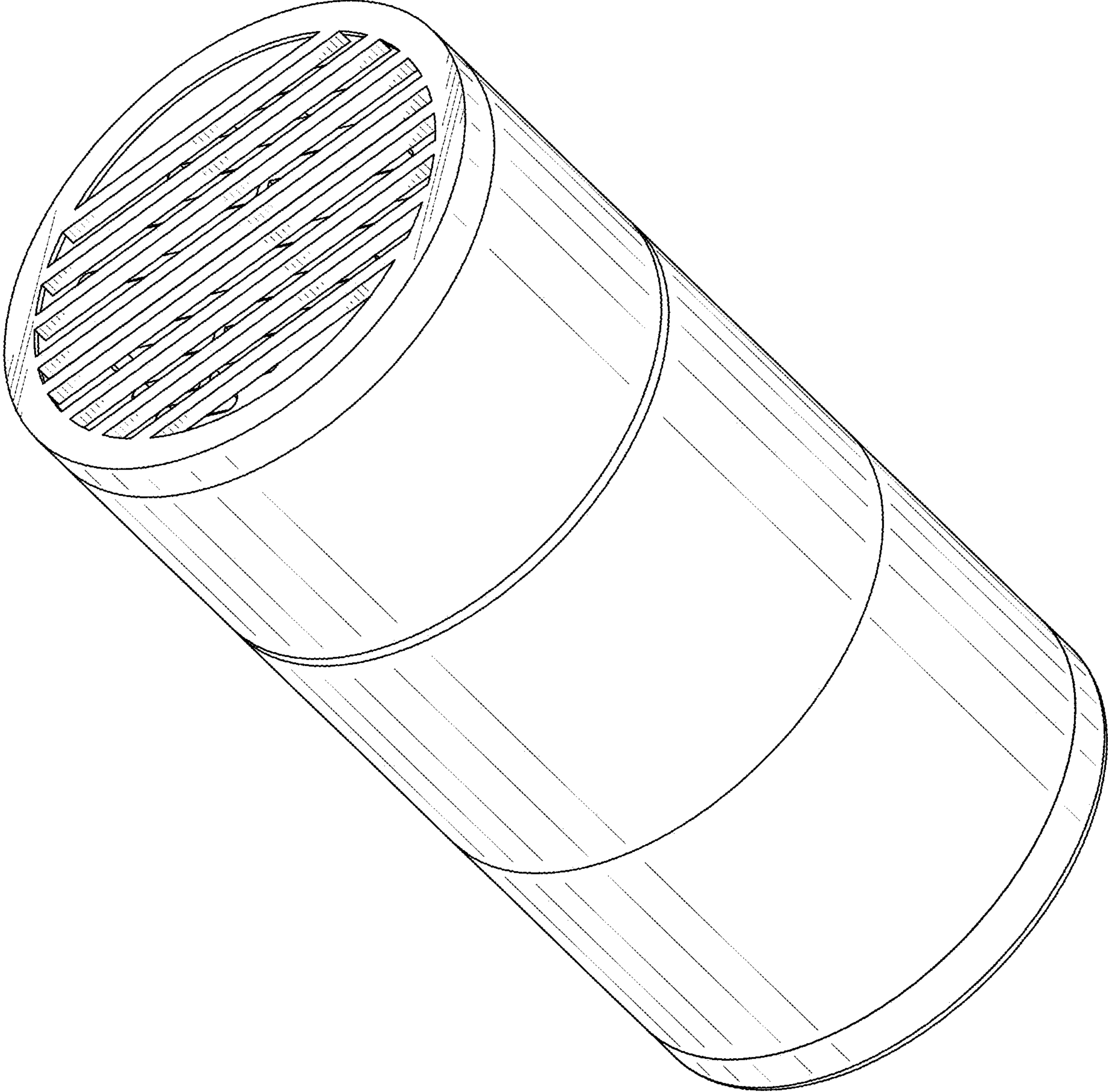


FIG. 8

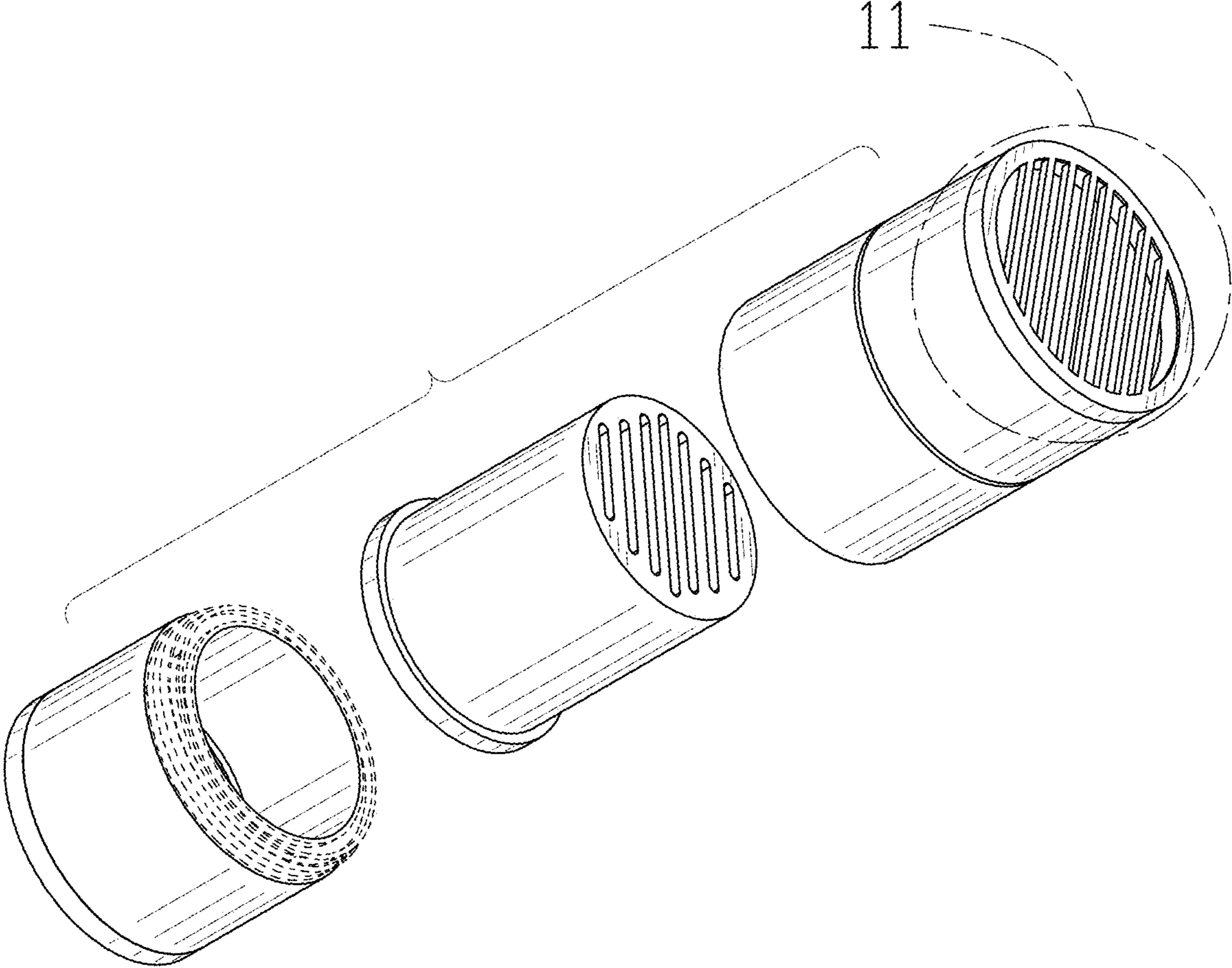


FIG. 9

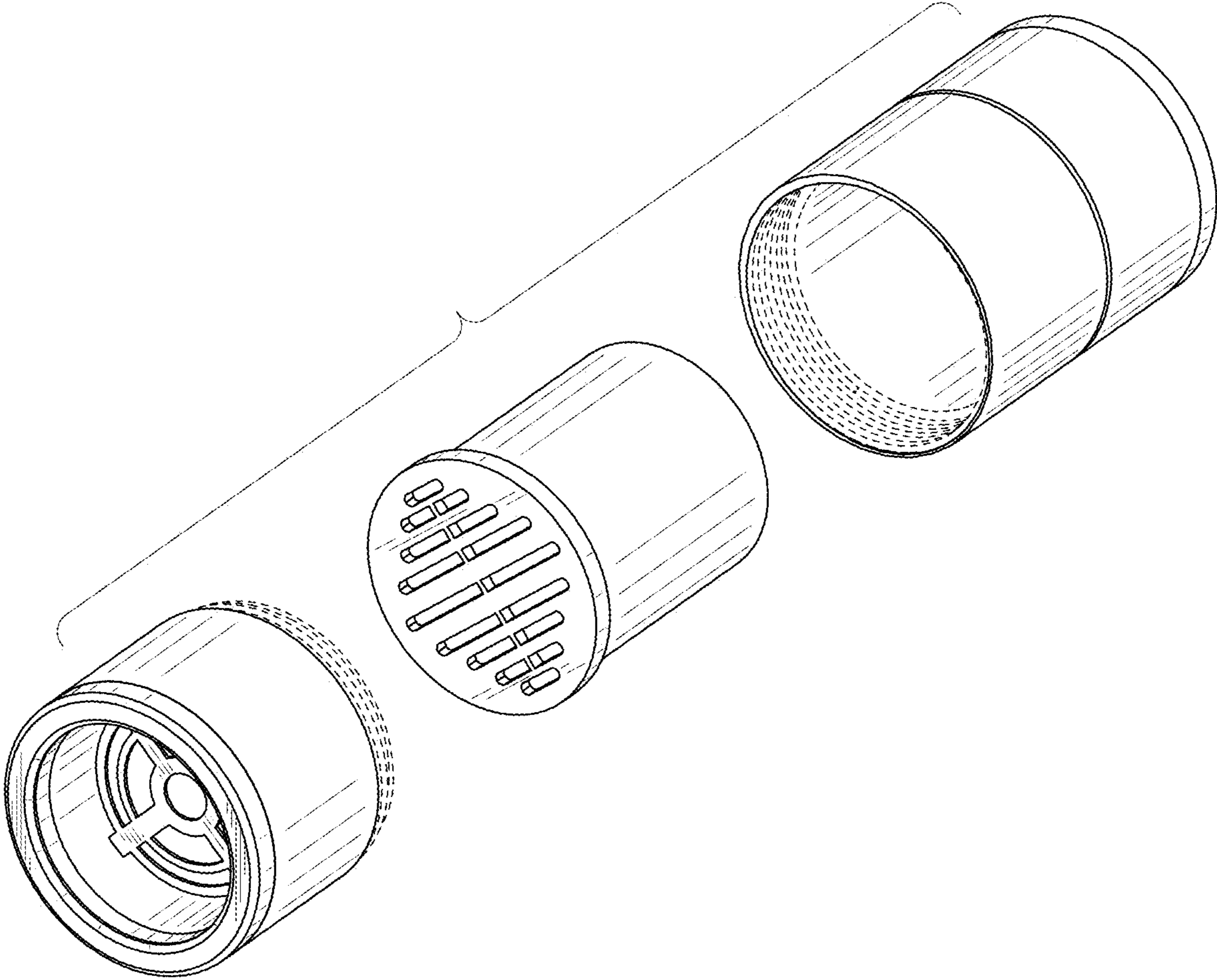


FIG. 10

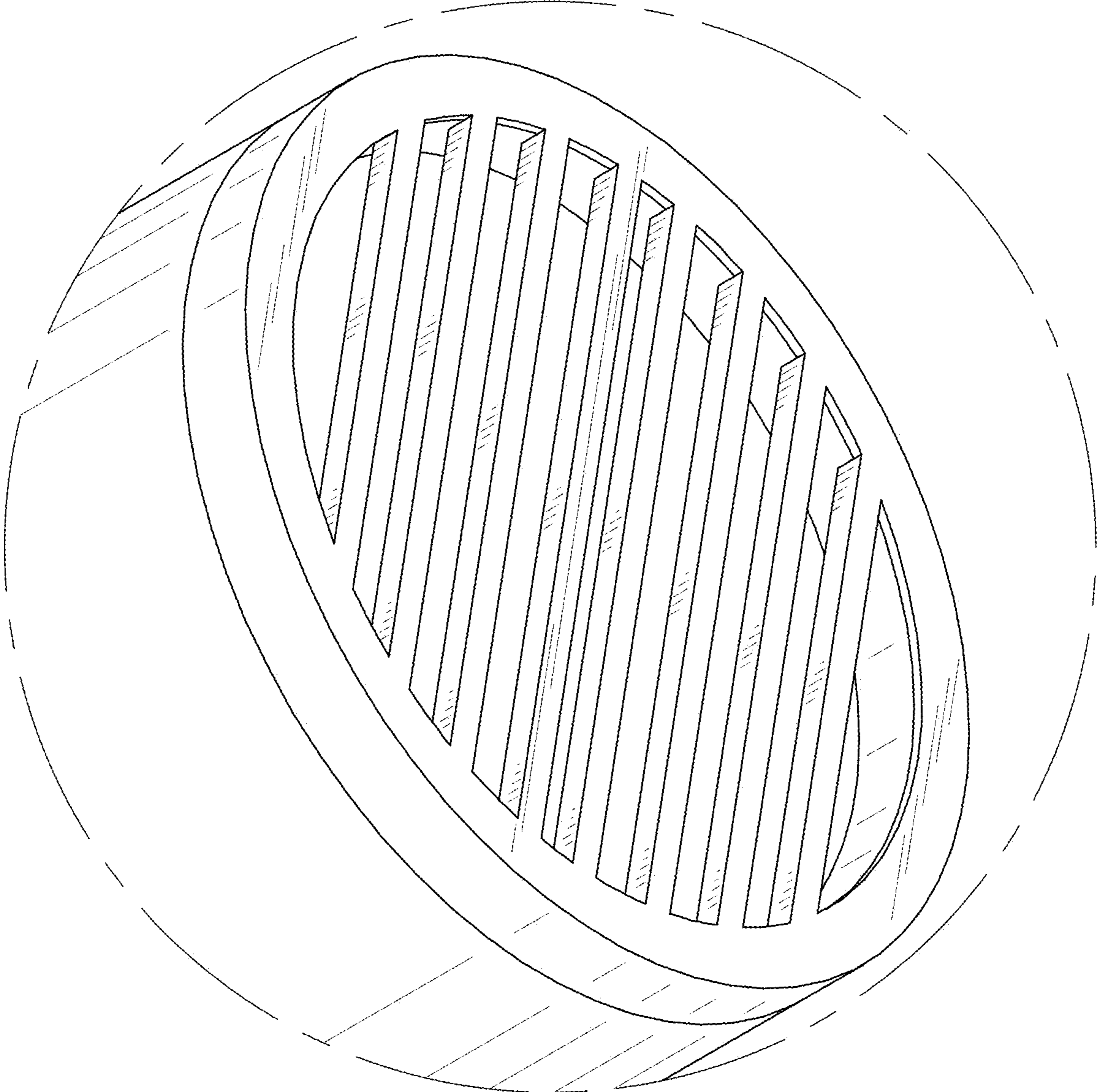


FIG. 11