



US00D947343S

(12) **United States Design Patent** (10) **Patent No.:** **US D947,343 S**
Xia et al. (45) **Date of Patent:** **** Mar. 29, 2022**

(54) **AIR PURIFIER** D905,220 S * 12/2020 Farone D23/364
D906,501 S * 12/2020 Lim D23/364
(71) Applicant: **SHENZHEN VANTOP** D912,795 S * 3/2021 Wang D23/364
TECHNOLOGY & INNOVATION D918,371 S * 5/2021 Zeng D23/364
CO., LTD., Shenzhen (CN) D935,591 S * 11/2021 Xu D23/364
(Continued)

(72) Inventors: **Yijia Xia**, Shenzhen (CN); **Mei Long**,
Shenzhen (CN); **Jun Li**, Shenzhen (CN)

(73) Assignee: **SHENZHEN VANTOP**
TECHNOLOGY & INNOVATION
CO., LTD., Shenzhen (CN)

(**) Term: **15 Years**

(21) Appl. No.: **29/771,401**

(22) Filed: **Feb. 23, 2021**

Related U.S. Application Data

(63) Continuation-in-part of application No. 29/762,749,
filed on Dec. 18, 2020.

(51) **LOC (13) Cl.** **23-04**

(52) **U.S. Cl.**
USPC **D23/364**

(58) **Field of Classification Search**
USPC D23/356, 359, 364-365, 378, 499
CPC F24F 1/029; F24F 1/035; F24F 1/0287;
F24F 6/14; B05B 17/06
See application file for complete search history.

(56) **References Cited**

U.S. PATENT DOCUMENTS

D810,135 S * 2/2018 Langhammer D14/496
D835,766 S * 12/2018 Chen D23/364
D836,760 S * 12/2018 Fredang D23/364
D865,149 S * 10/2019 Lin D23/364
D882,056 S * 4/2020 Baillie D23/364
D886,272 S * 6/2020 Yang D23/364
D886,975 S * 6/2020 Yang D23/364
D888,923 S * 6/2020 Zhong D23/364

FOREIGN PATENT DOCUMENTS

CN 306066806 * 9/2020
KR 301057976.0000 * 5/2020
KR 301058903.0000 * 5/2020

OTHER PUBLICATIONS

Levoit Air Purifiers, first available Aug. 10, 2020[online], [site
visited Dec. 13, 2021]. Available from internet, URL:<<https://www.amazon.ca/dp/B08FJ678YK>> (Year: 2020).*

(Continued)

Primary Examiner — Barbara Fox
Assistant Examiner — Jamaal Rasheed

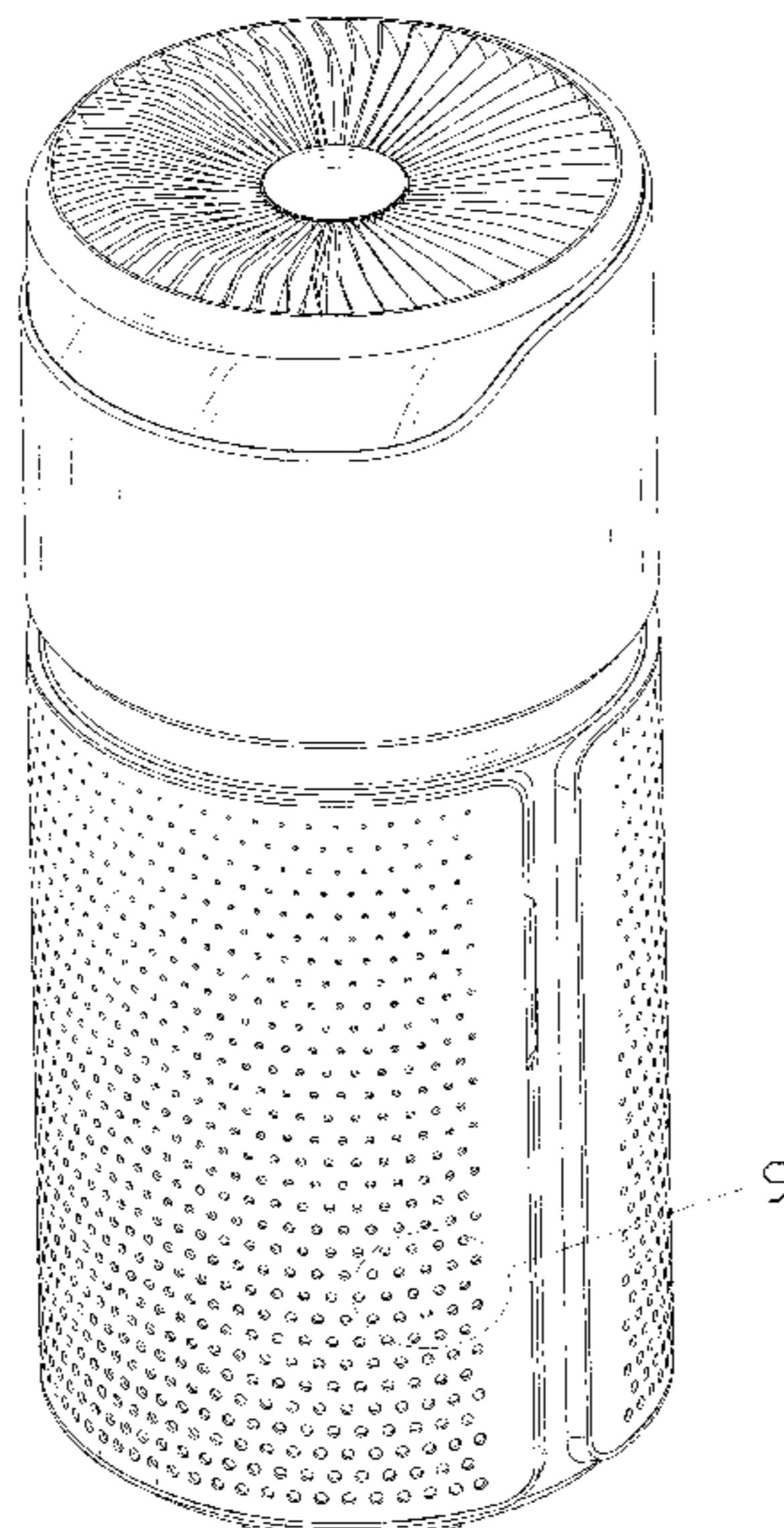
(57) **CLAIM**

The ornamental design for an air purifier, as shown and
described.

DESCRIPTION

FIG. 1 is a perspective view of an air purifier showing my
new design;
FIG. 2 is another perspective view thereof;
FIG. 3 is a front elevational view thereof;
FIG. 4 is a rear elevational view thereof;
FIG. 5 is a left side elevational view thereof;
FIG. 6 is a right side elevational view thereof;
FIG. 7 is a top plan view thereof;
FIG. 8 is a bottom plan view thereof; and,
FIG. 9 is an enlarged view of portion 9 shown in FIG. 1.
The broken lines in the drawings depict portions of the air
purifier that form no part of the claimed design.

1 Claim, 9 Drawing Sheets



(56)

References Cited

U.S. PATENT DOCUMENTS

2020/0224892 A1* 7/2020 Yang F24F 1/029

OTHER PUBLICATIONS

Levoit Air Purifier, first available Aug. 9, 2020[online], [site visited Dec. 13, 2021]. Available from internet, URL:<<https://www.amazon.ca/dp/B07TLWV3HV?th=1>> (Year: 2020).*

* cited by examiner

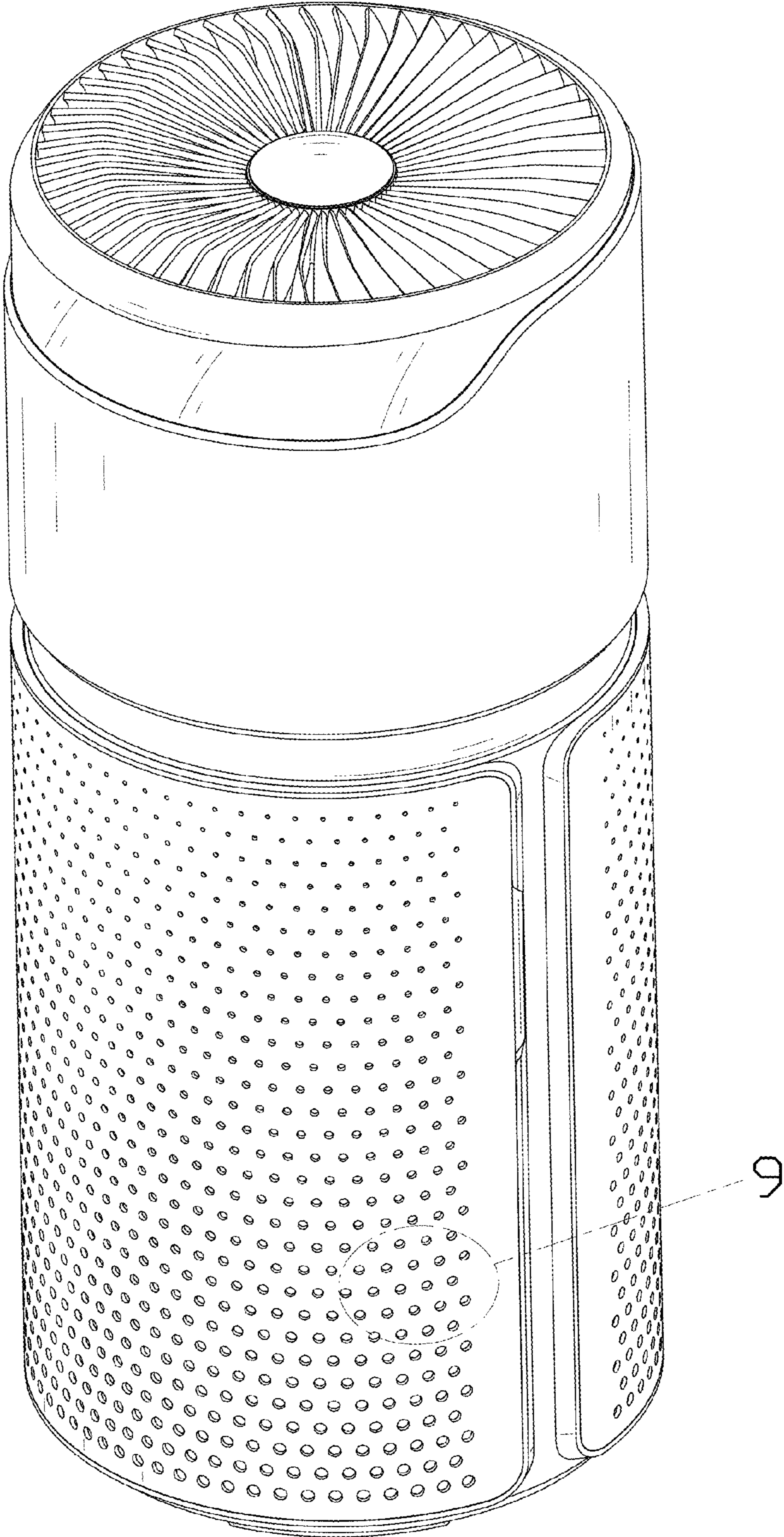


FIG. 1

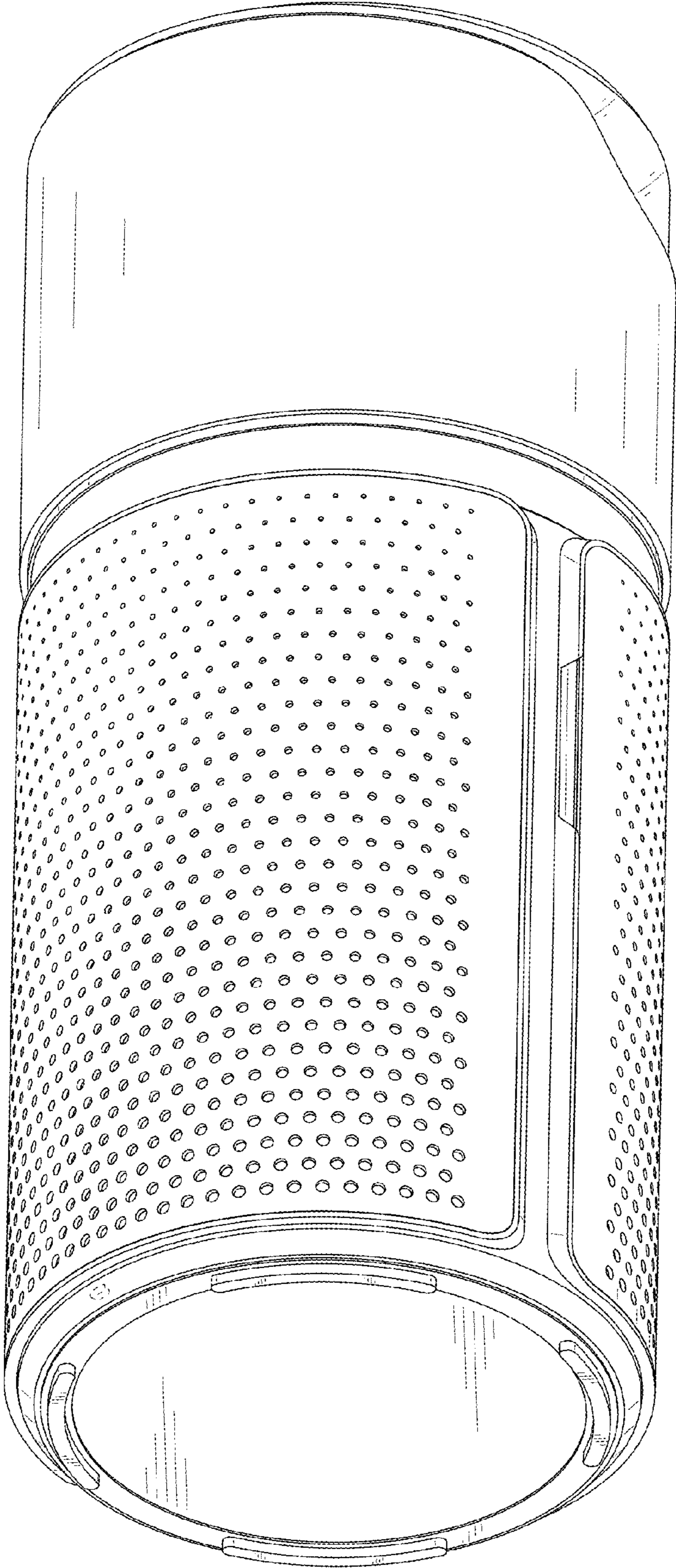


FIG. 2

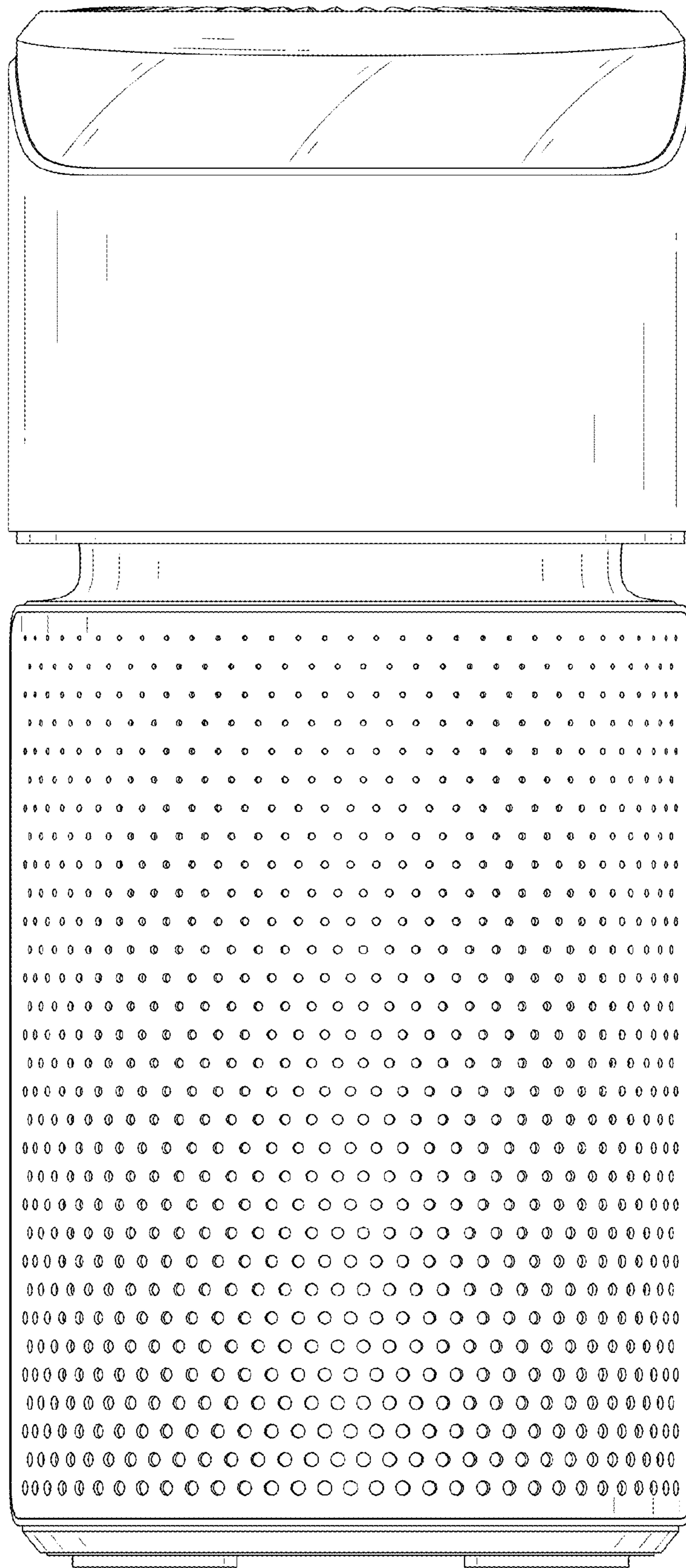


FIG. 3

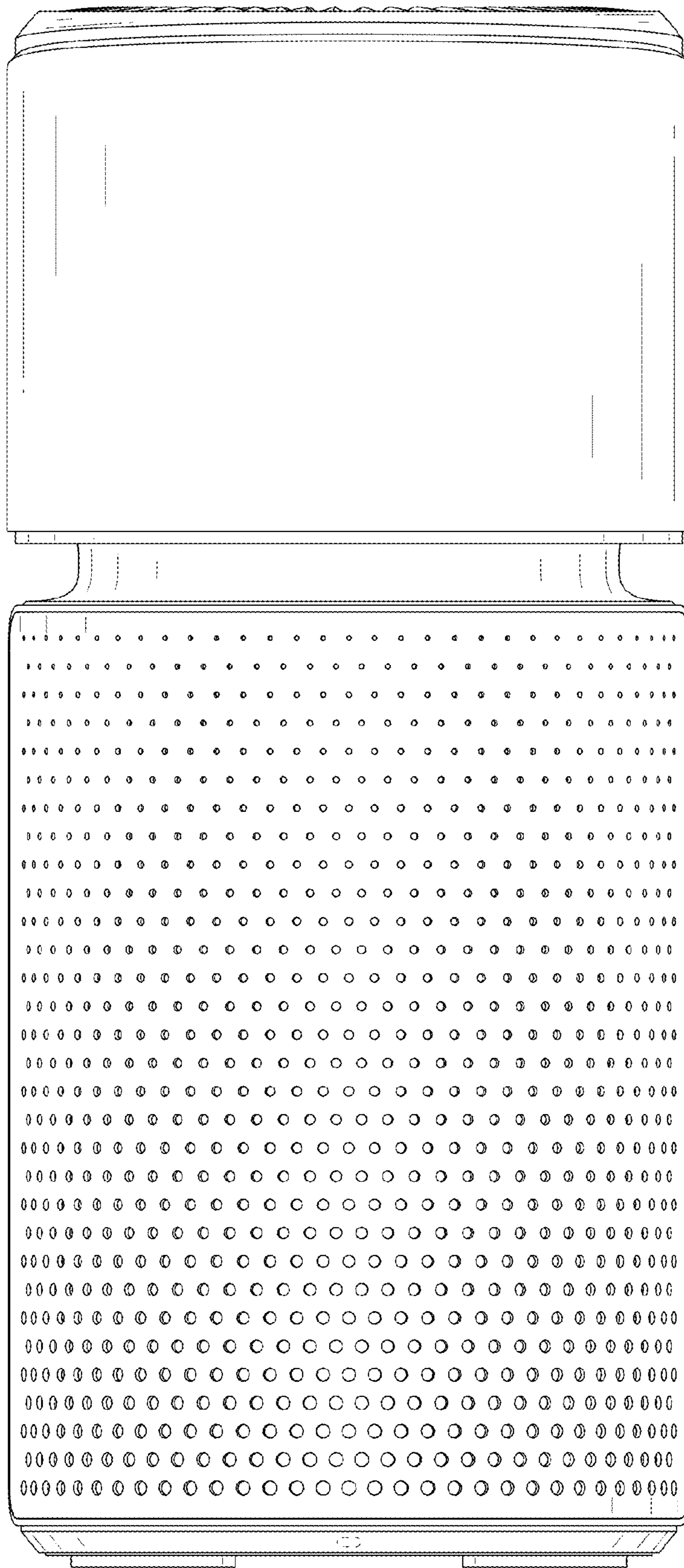


FIG. 4

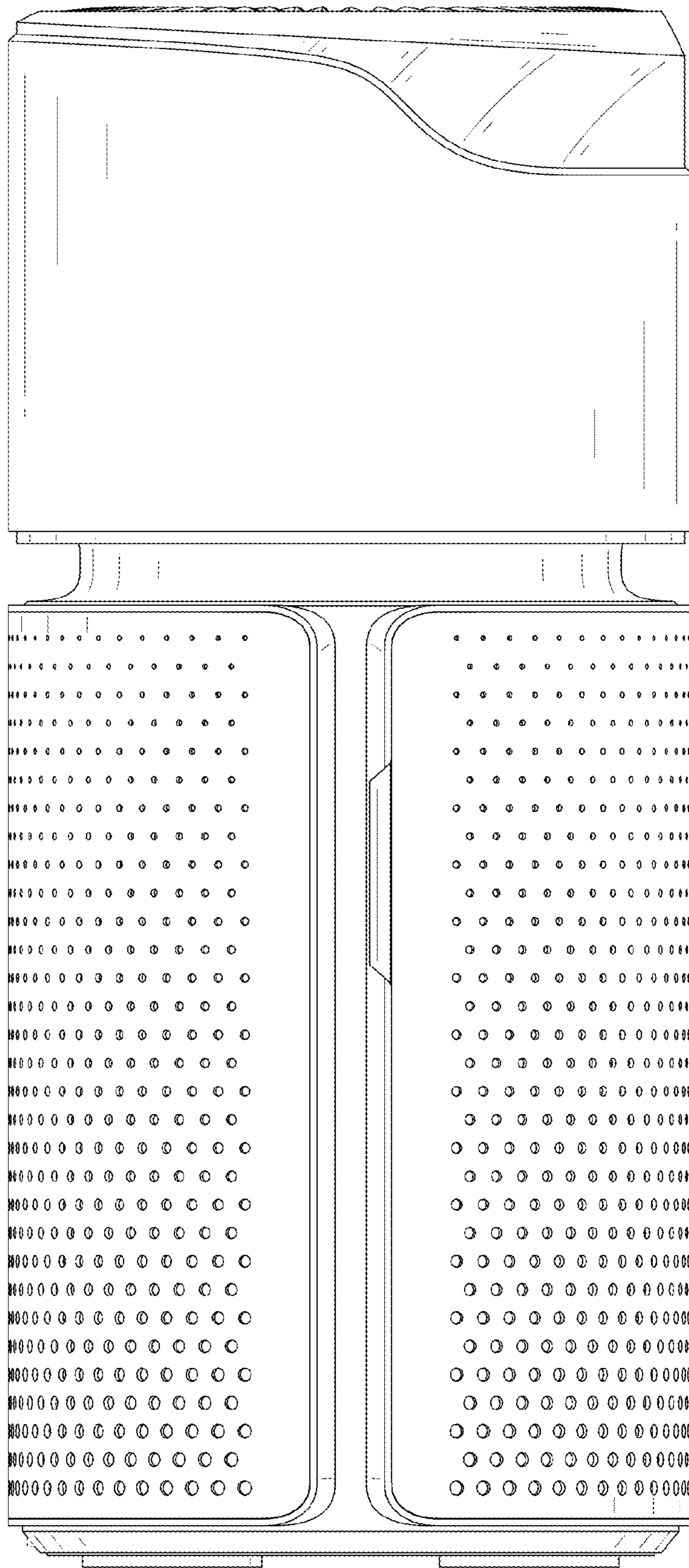


FIG. 5

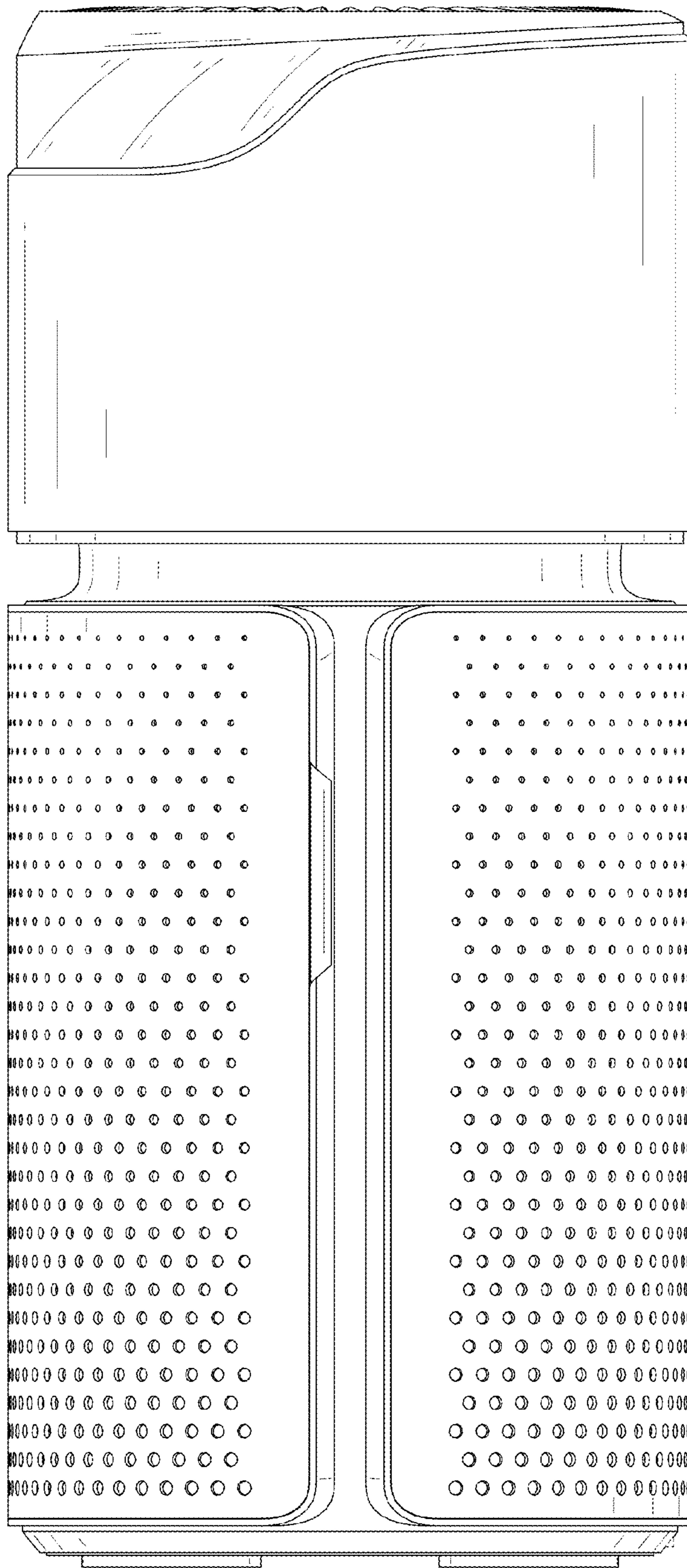


FIG. 6

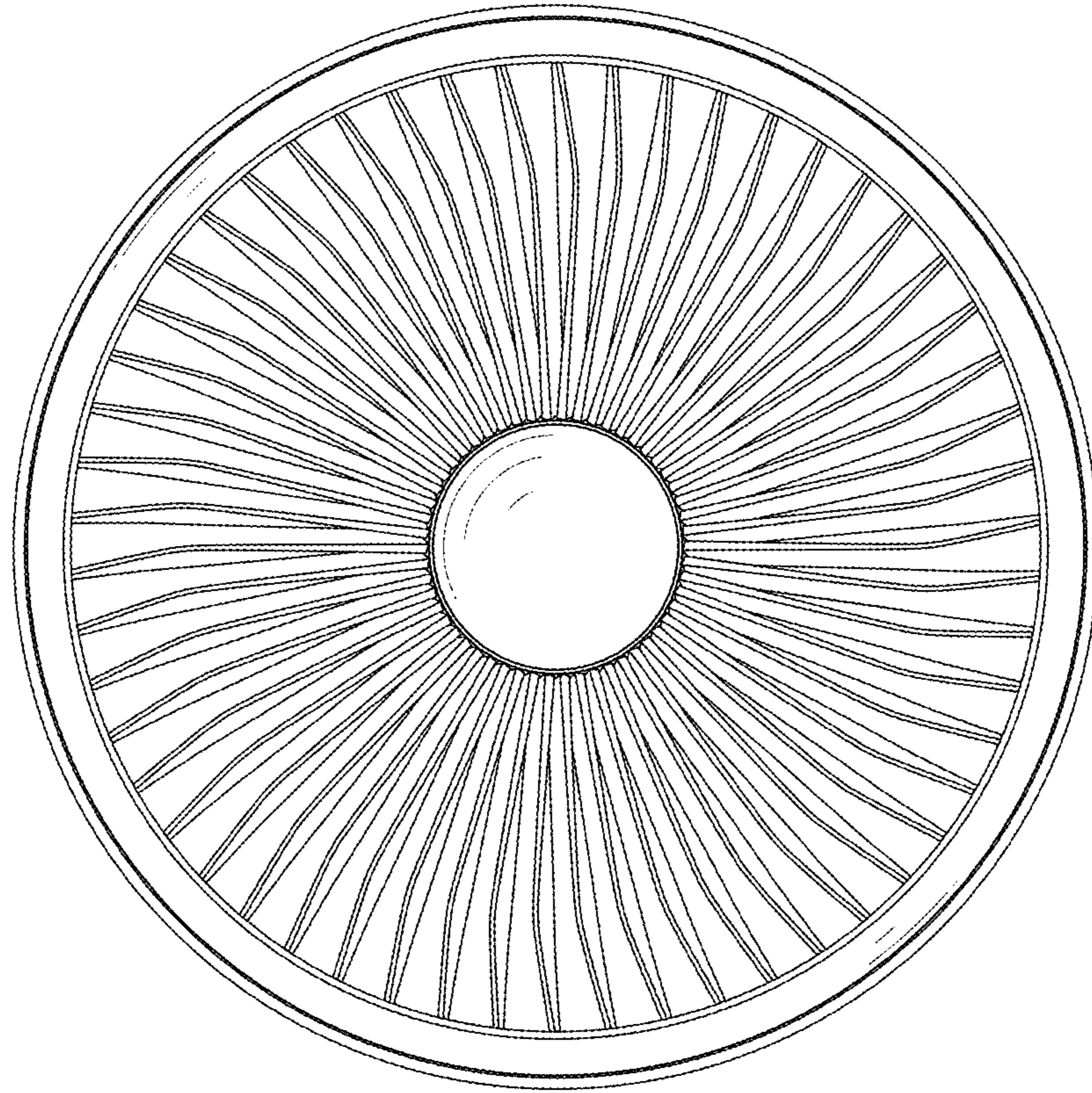


FIG. 7

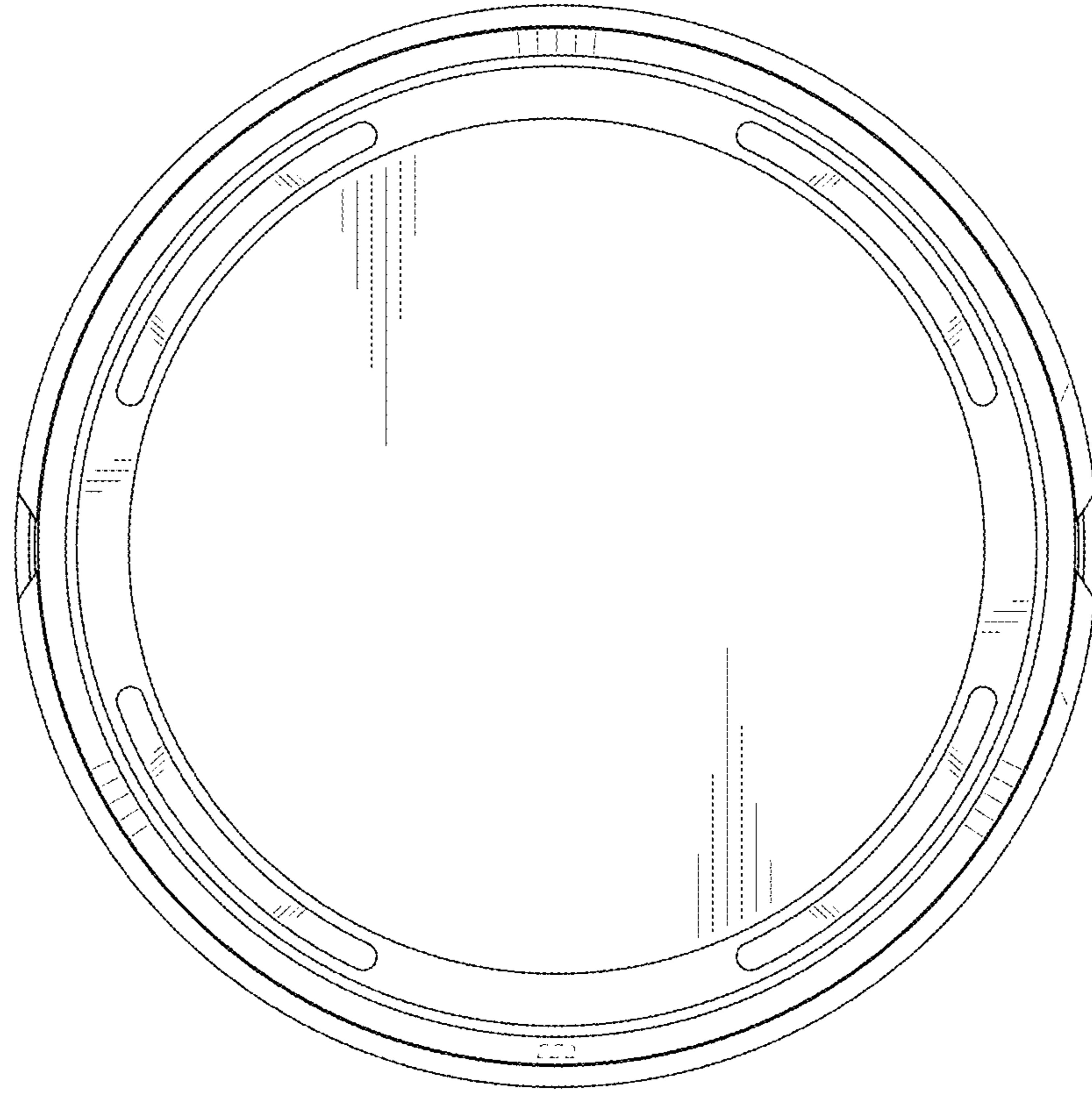


FIG. 8

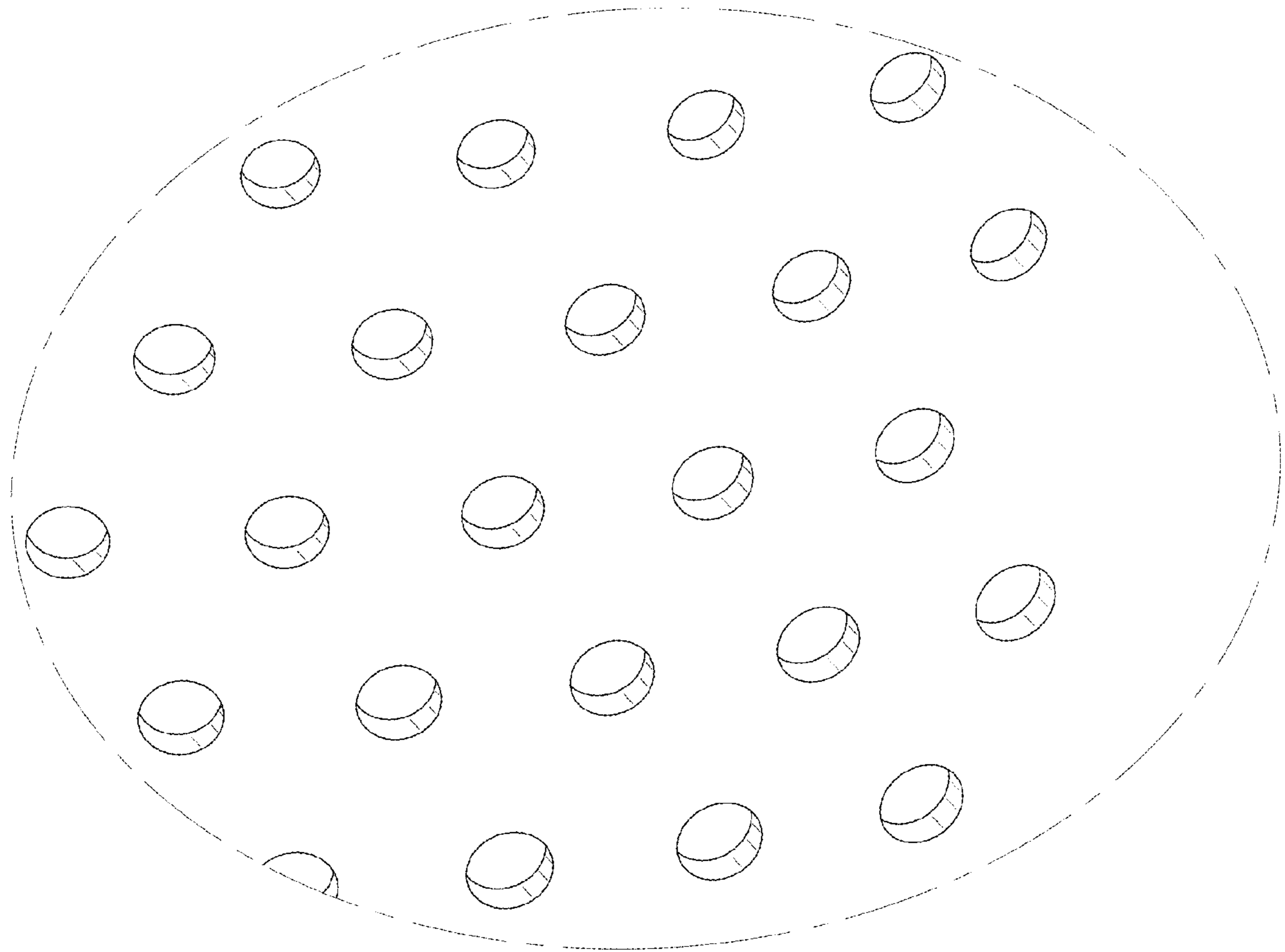


FIG. 9