

US00D947335S

(12) **United States Design Patent**
Zheng

(10) **Patent No.:** **US D947,335 S**

(45) **Date of Patent:** **** Mar. 29, 2022**

(54) **DEHUMIDIFIER**

(71) Applicant: **Weika Electric (Guangdong) Co., Ltd.**, Shenzhen (CN)

(72) Inventor: **Junwen Zheng**, Puning (CN)

(**) Term: **15 Years**

(21) Appl. No.: **29/778,537**

(22) Filed: **Apr. 14, 2021**

(51) **LOC (13) Cl.** **23-04**

(52) **U.S. Cl.**
USPC **D23/359**

(58) **Field of Classification Search**
USPC D23/355–366, 352, 369, 332, 333, 335,
D23/336, 342, 351; 422/120, 122;
55/356, 473, 504; 96/97; 261/DIG. 17,
261/DIG. 65, DIG. 88, DIG. 31
CPC .. A61L 9/16; A61L 9/22; B01D 47/00; B01D
47/027; B01D 2221/02; B01D 2259/4508;
B03C 3/155; B03C 3/368; F24F 3/16;
F24F 13/20; F24F 13/28
See application file for complete search history.

(56) **References Cited**

U.S. PATENT DOCUMENTS

D783,791 S	4/2017	Shin et al.	
D788,279 S	5/2017	Lee et al.	
9,873,127 B2 *	1/2018	Kim	B03C 3/09
D844,766 S *	4/2019	Miao	D23/364
D879,275 S	3/2020	Mano	

D893,009 S *	8/2020	Choi	D23/364
10,823,434 B2 *	11/2020	Shin	F24F 1/02
D908,198 S *	1/2021	Yoon	D23/364
D915,573 S *	4/2021	Zheng	D23/359
D918,365 S *	5/2021	Li	D23/359
D918,366 S *	5/2021	Li	D23/359
D918,367 S *	5/2021	Li	D23/359
D919,780 S *	5/2021	Li	D23/359
D921,864 S *	6/2021	Luo	D23/356
D923,769 S *	6/2021	Huang	D23/359
D935,006 S *	11/2021	Huang	D23/359

* cited by examiner

Primary Examiner — David G Muller

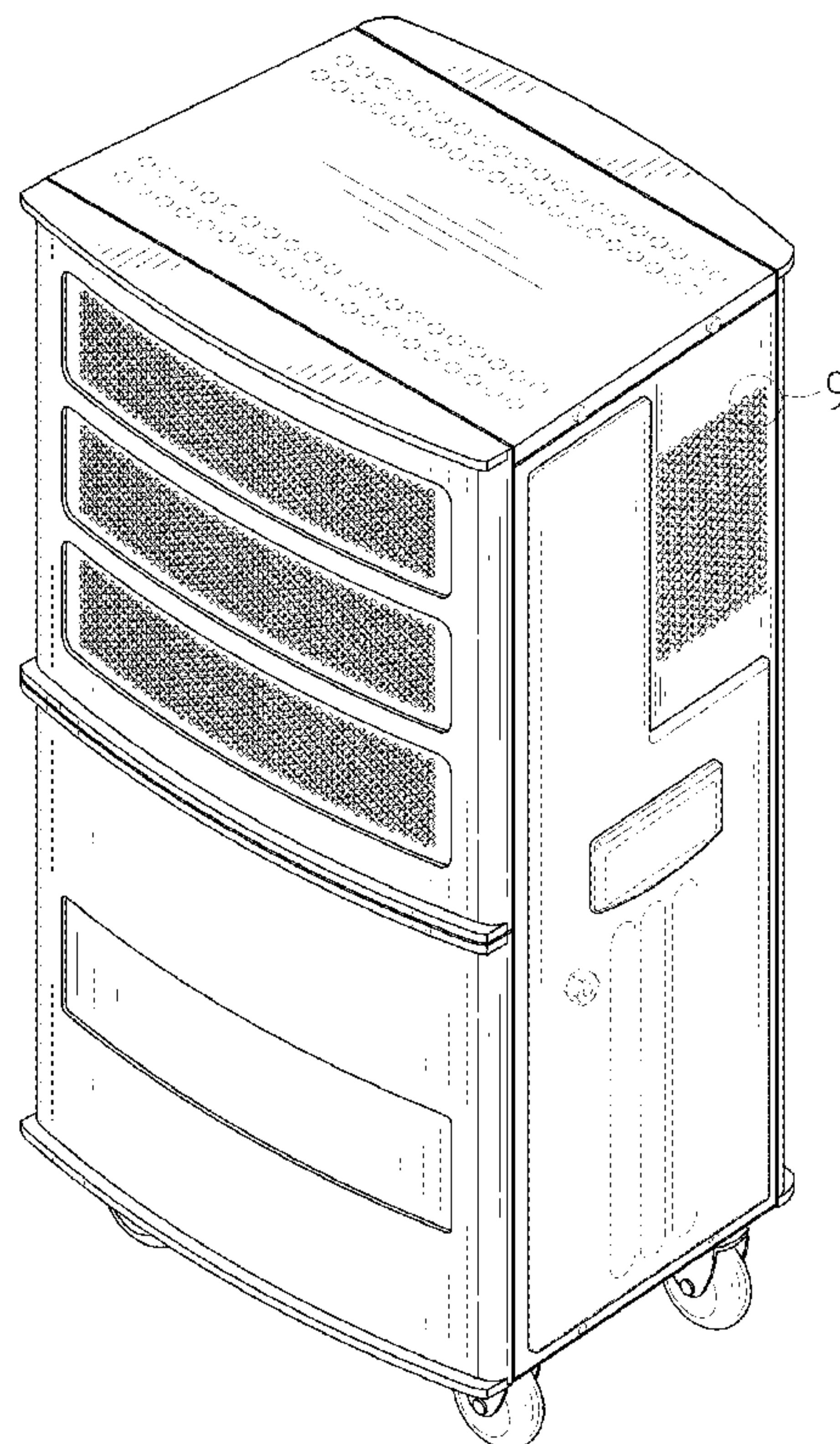
(57) **CLAIM**

The ornamental design for a dehumidifier, as shown and described.

DESCRIPTION

FIG. 1 is a first perspective view of a dehumidifier showing my new design;
FIG. 2 is a second perspective view thereof;
FIG. 3 is a front view thereof;
FIG. 4 is a back view thereof;
FIG. 5 is a left side view thereof;
FIG. 6 is a right side view thereof;
FIG. 7 is a top view thereof;
FIG. 8 is a bottom view thereof; and,
FIG. 9 is an enlarged view of the selected portion in FIG. 1.
The broken lines shown in the drawings depict portions of the dehumidifier in which the design is embodied that form no part of the claimed design.

1 Claim, 9 Drawing Sheets



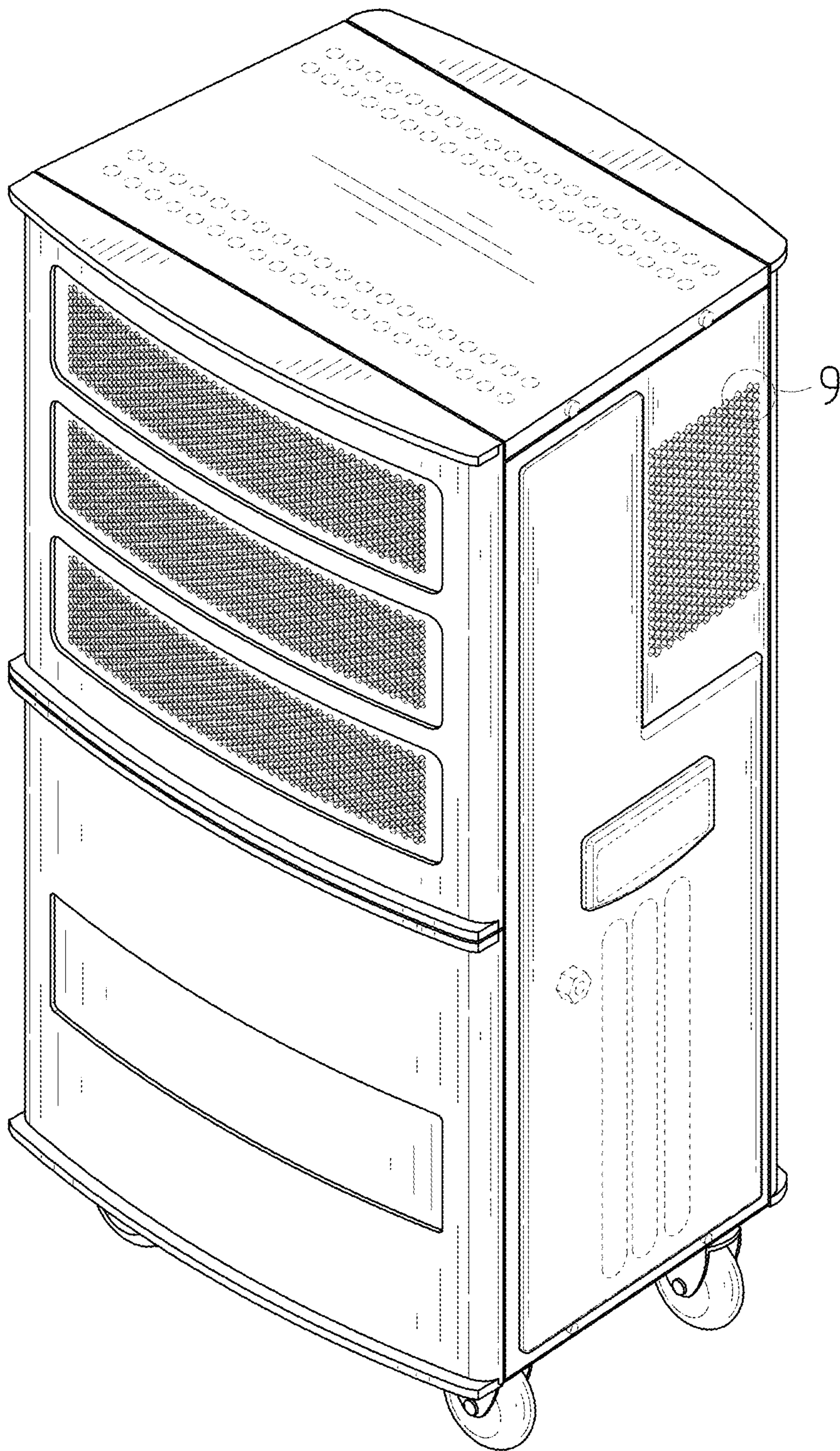


FIG. 1

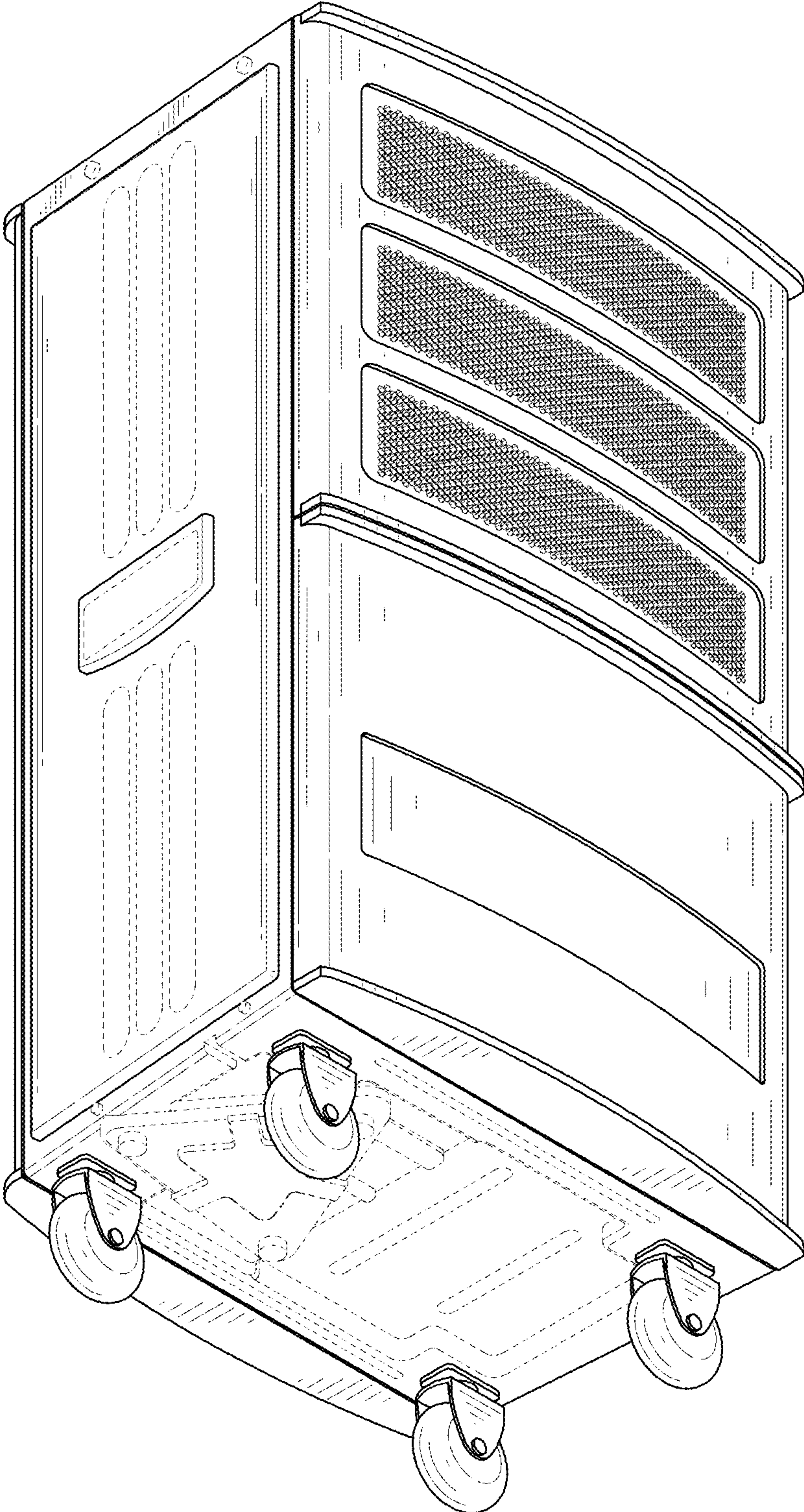


FIG. 2

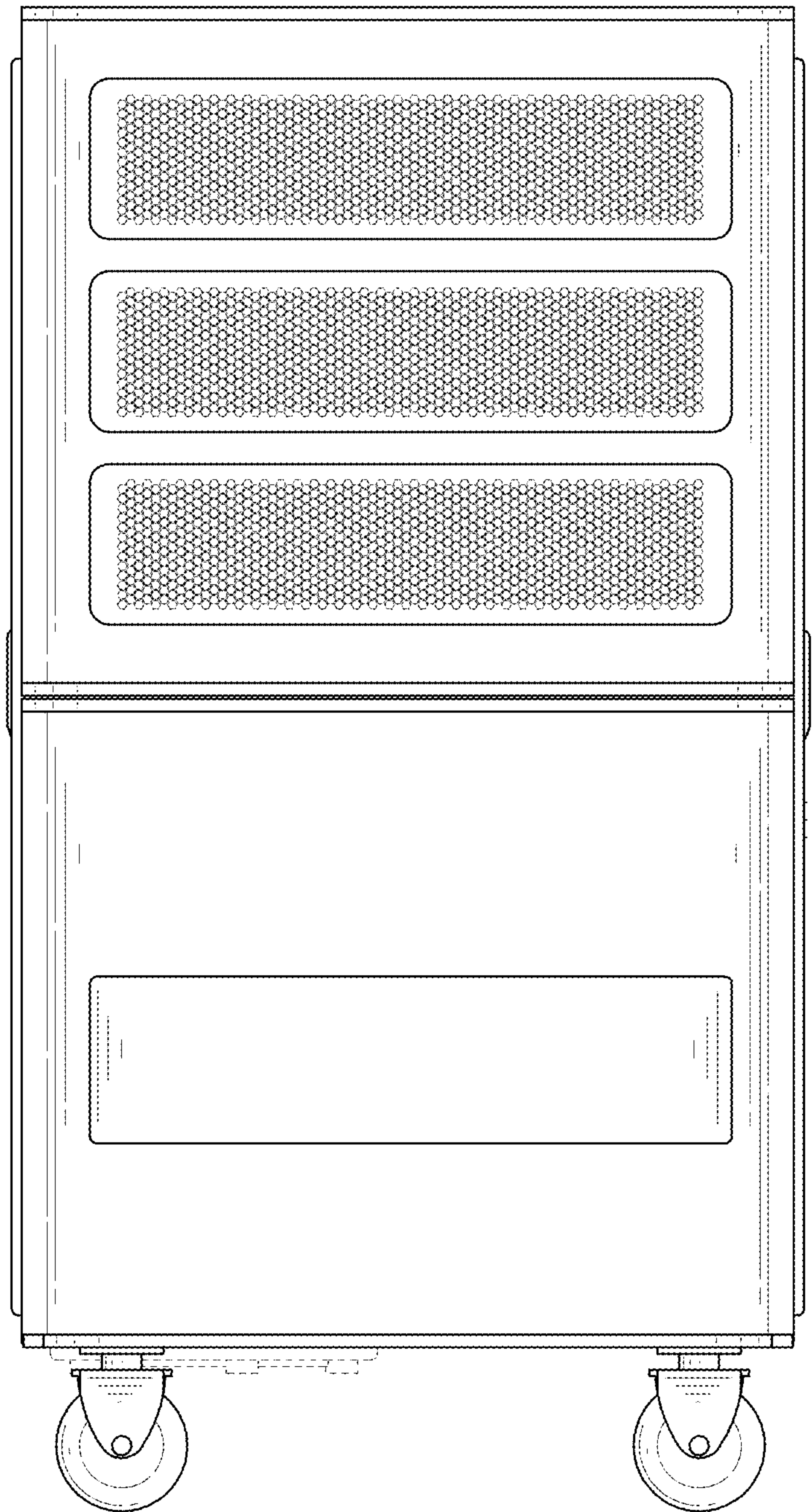


FIG. 3

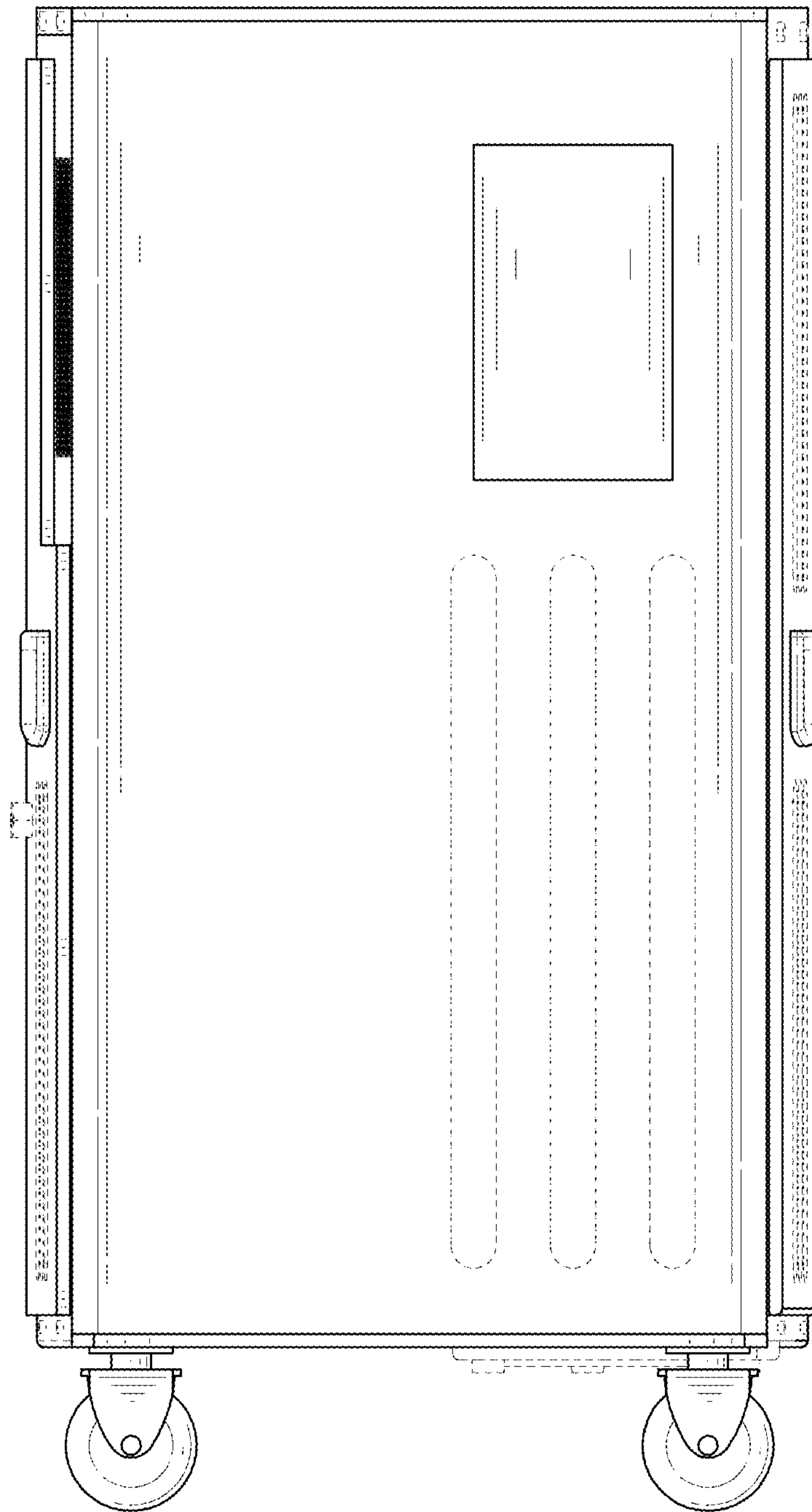


FIG. 4

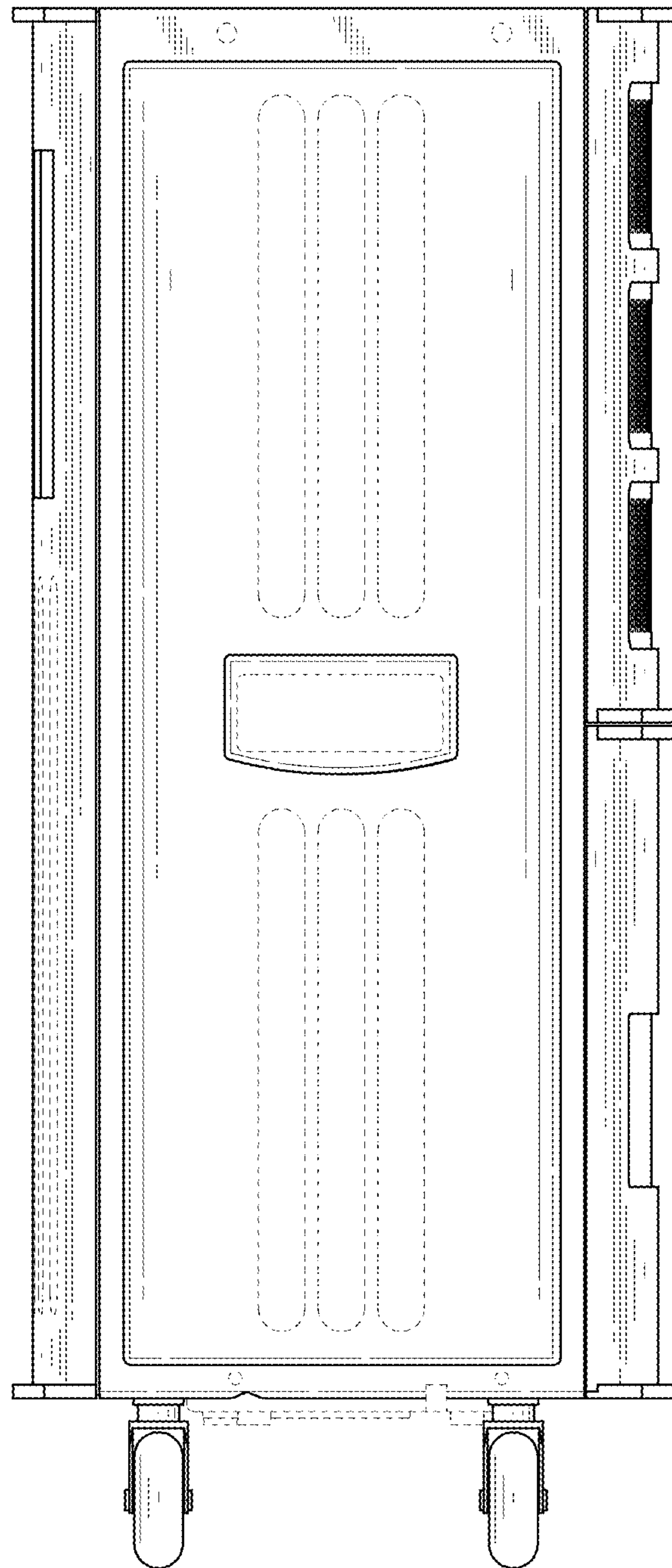


FIG. 5

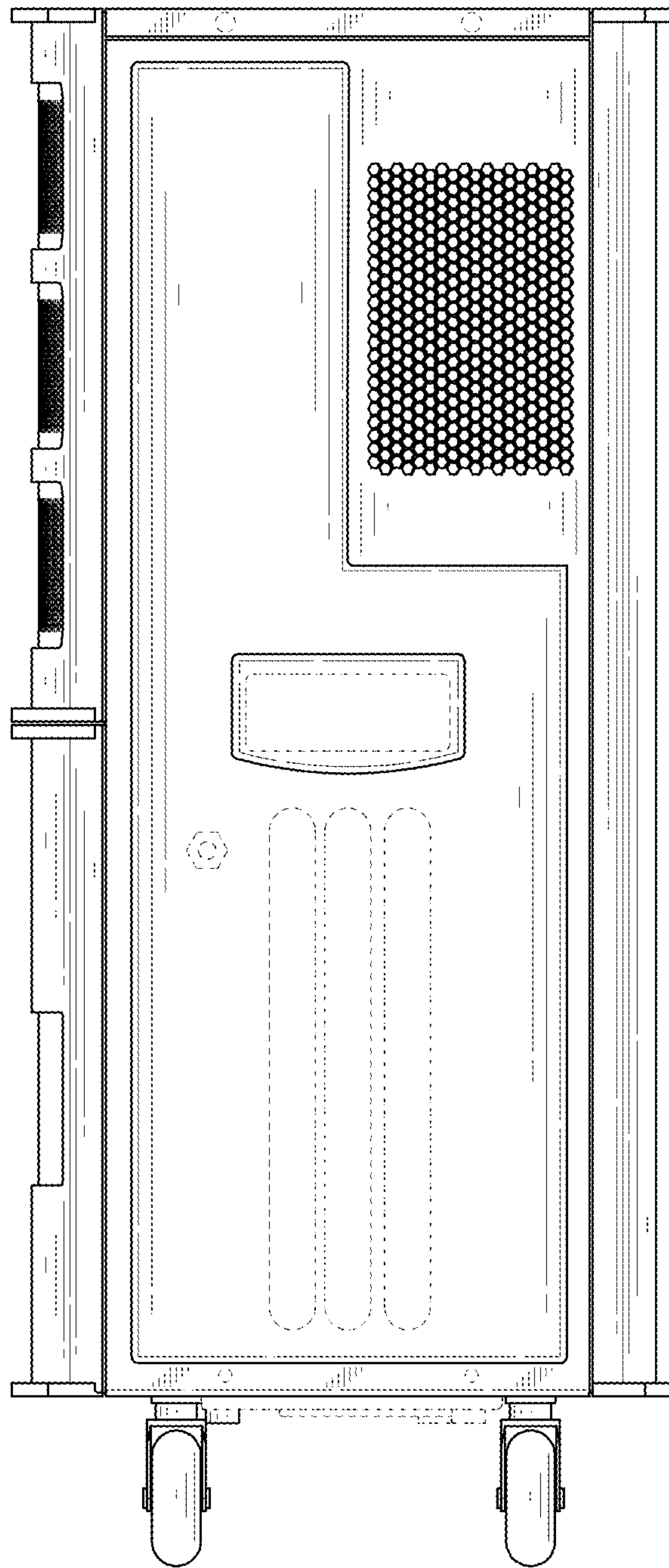


FIG. 6

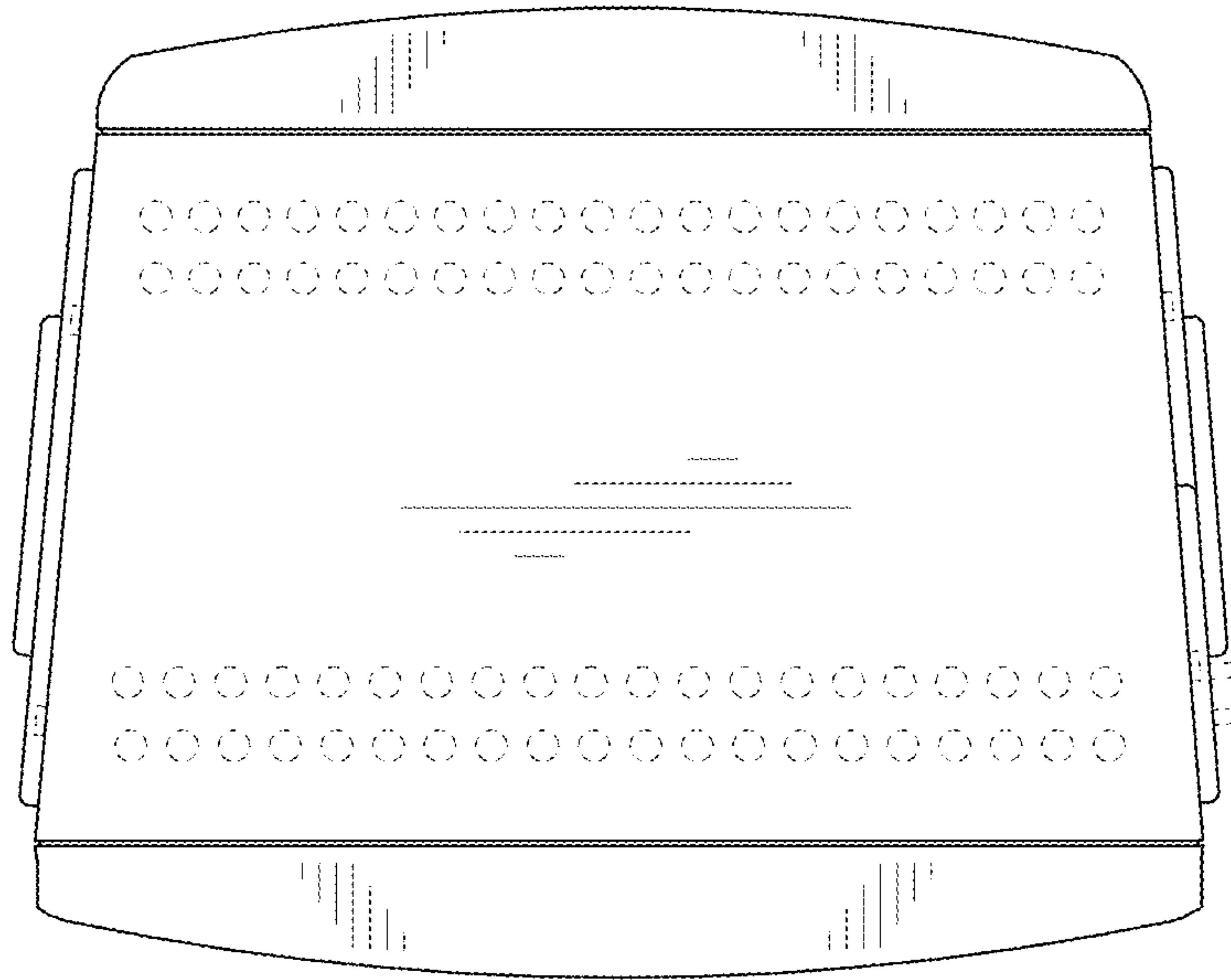


FIG. 7

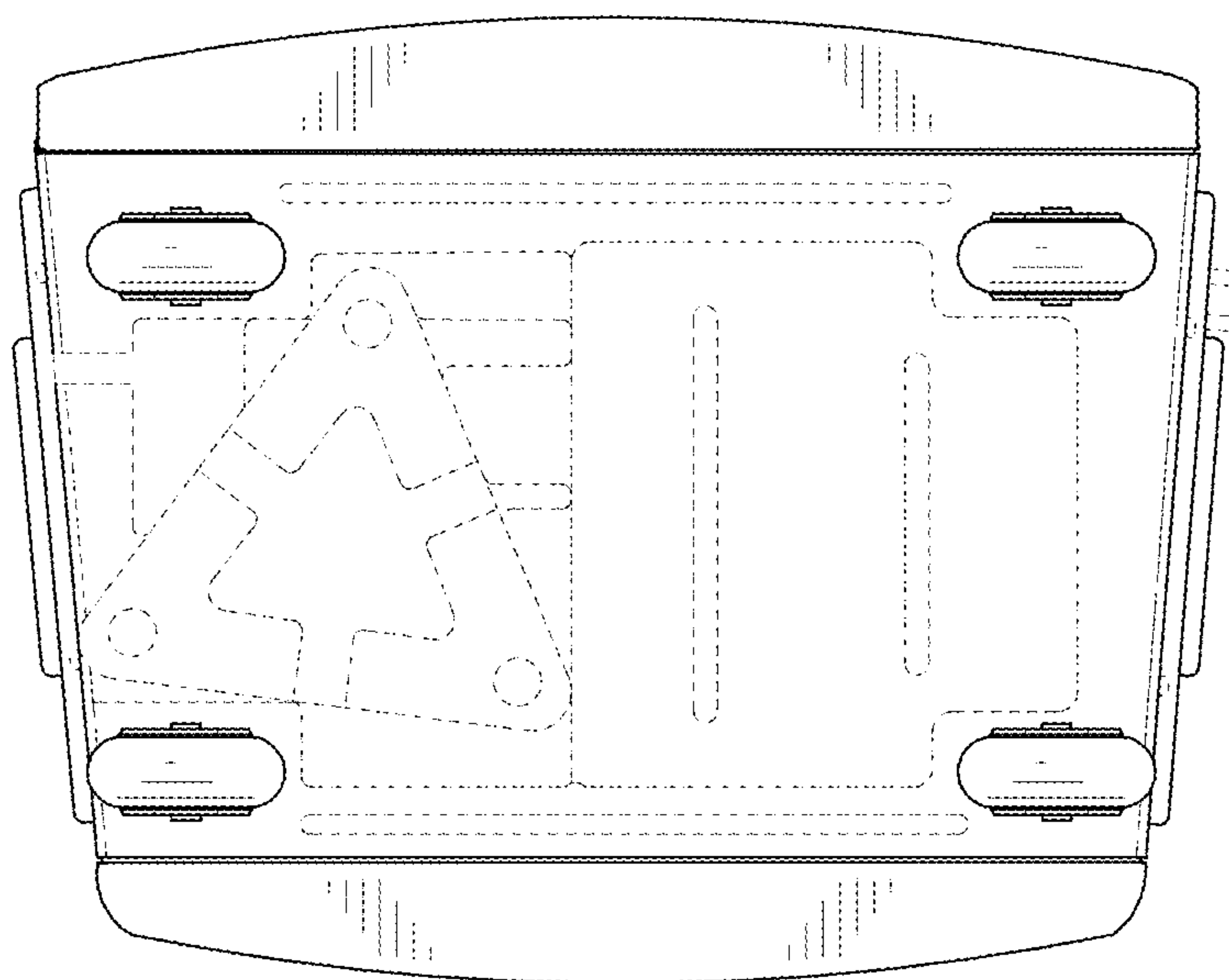


FIG. 8

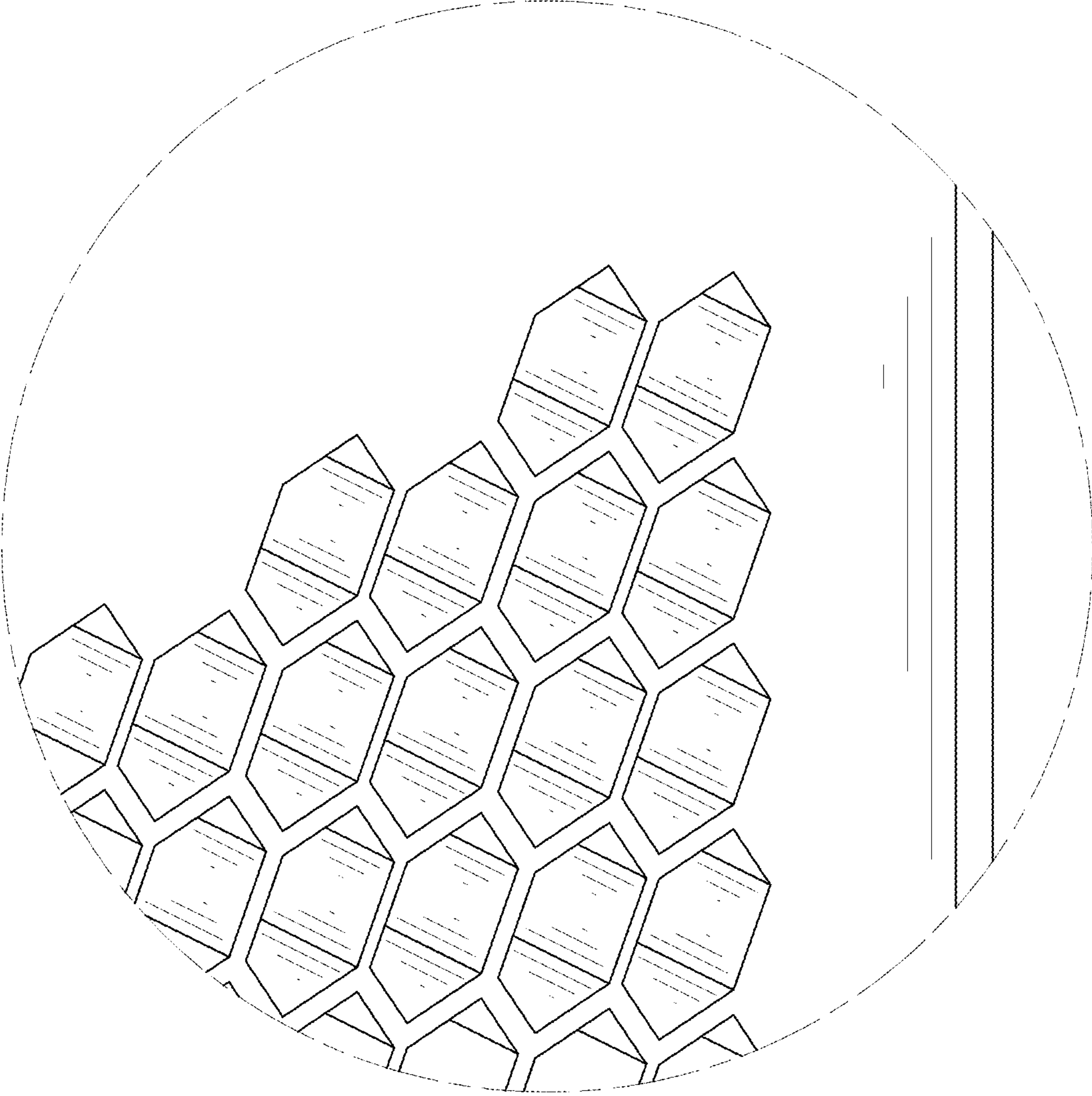


FIG. 9