



US00D947331S

(12) **United States Design Patent**
Guo et al.

(10) **Patent No.:** **US D947,331 S**

(45) **Date of Patent:** **** Mar. 29, 2022**

(54) **HEATING EQUIPMENT**

(56) **References Cited**

(71) Applicant: **MIDEA GROUP CO., LTD.**,
Guangdong (CN)

(72) Inventors: **Yuqiang Guo**, Guangdong (CN);
Weiling Wang, Guangdong (CN)

(73) Assignee: **MIDEA GROUP CO., LTD.**, Foshan
(CN)

U.S. PATENT DOCUMENTS

D341,654 S *	11/1993	Wortham	D23/317
D359,344 S *	6/1995	De'Longhi	D23/317
D397,193 S *	8/1998	Boyle	D23/317
D423,090 S *	4/2000	Barbosa	D23/330
D428,644 S *	7/2000	De' Longhi	D23/330
D449,675 S *	10/2001	Shih	D23/330
D530,412 S *	10/2006	Aydin	D23/330
D785,149 S *	4/2017	De'Longhi	D23/330
D803,998 S *	11/2017	De' Longhi	D23/330
D874,624 S *	2/2020	Liu	D23/335
D881,363 S *	4/2020	Guo	D23/335
D903,074 S *	11/2020	Lei	D23/335
D923,161 S *	6/2021	Lei	D23/330

(**) Term: **15 Years**

(21) Appl. No.: **35/509,666**

(22) Filed: **May 12, 2020**

(80) **Hague Agreement Data**

Int. Filing Date: **May 12, 2020**
Int. Reg. No.: **DM/208776**
Int. Reg. Date: **May 12, 2020**
Int. Reg. Pub. Date: **Jun. 26, 2020**

* cited by examiner

Primary Examiner — Natasha Vujcic
(74) *Attorney, Agent, or Firm* — Morgan, Lewis &
Bockius LLP

(30) **Foreign Application Priority Data**

Apr. 9, 2020 (CN) 202030137142.9

(51) **LOC (13) Cl.** **23-03**

(52) **U.S. Cl.**
USPC **D23/330**

(58) **Field of Classification Search**
USPC D23/333, 335-337, 351-354, 388
CPC F24F 1/00; F24F 1/0007; F24F 1/02; F24F
1/08; F24F 1/42; F24F 1/56; F24F 1/60;
F24F 3/044; F24F 3/048; F24F 3/16;
G05D 23/1905; G05D 23/1932; G05D
23/1902; G05D 23/1931; G05B 19/0426;
G05B 19/409; G05B 15/02

See application file for complete search history.

(57) **CLAIM**

The ornamental design for a heating equipment, as shown
and described.

DESCRIPTION

1. Heating equipment

1.1 : Front

1.2 : Back

1.3 : Left

1.4 : Right

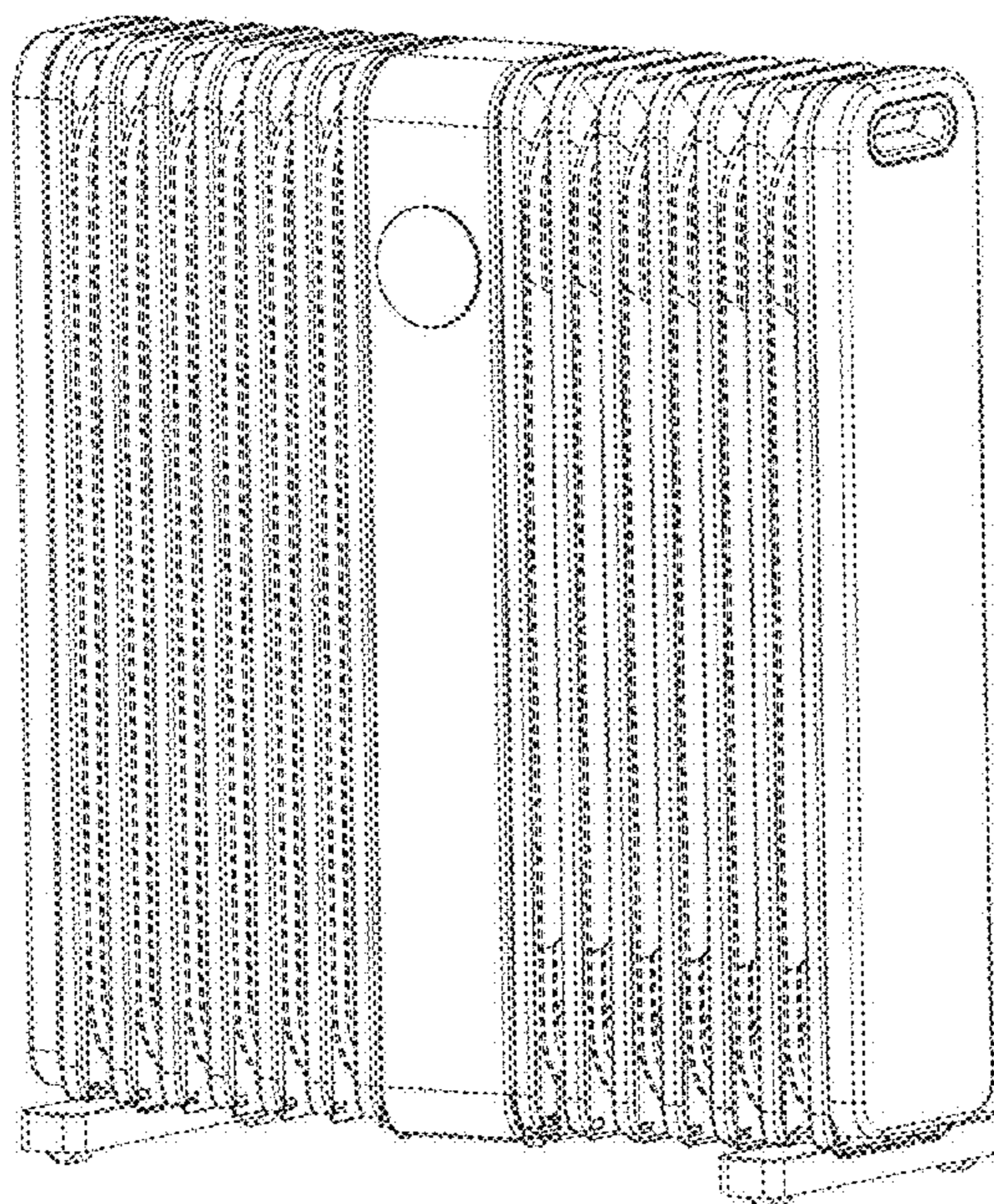
1.5 : Top

1.6 : Bottom

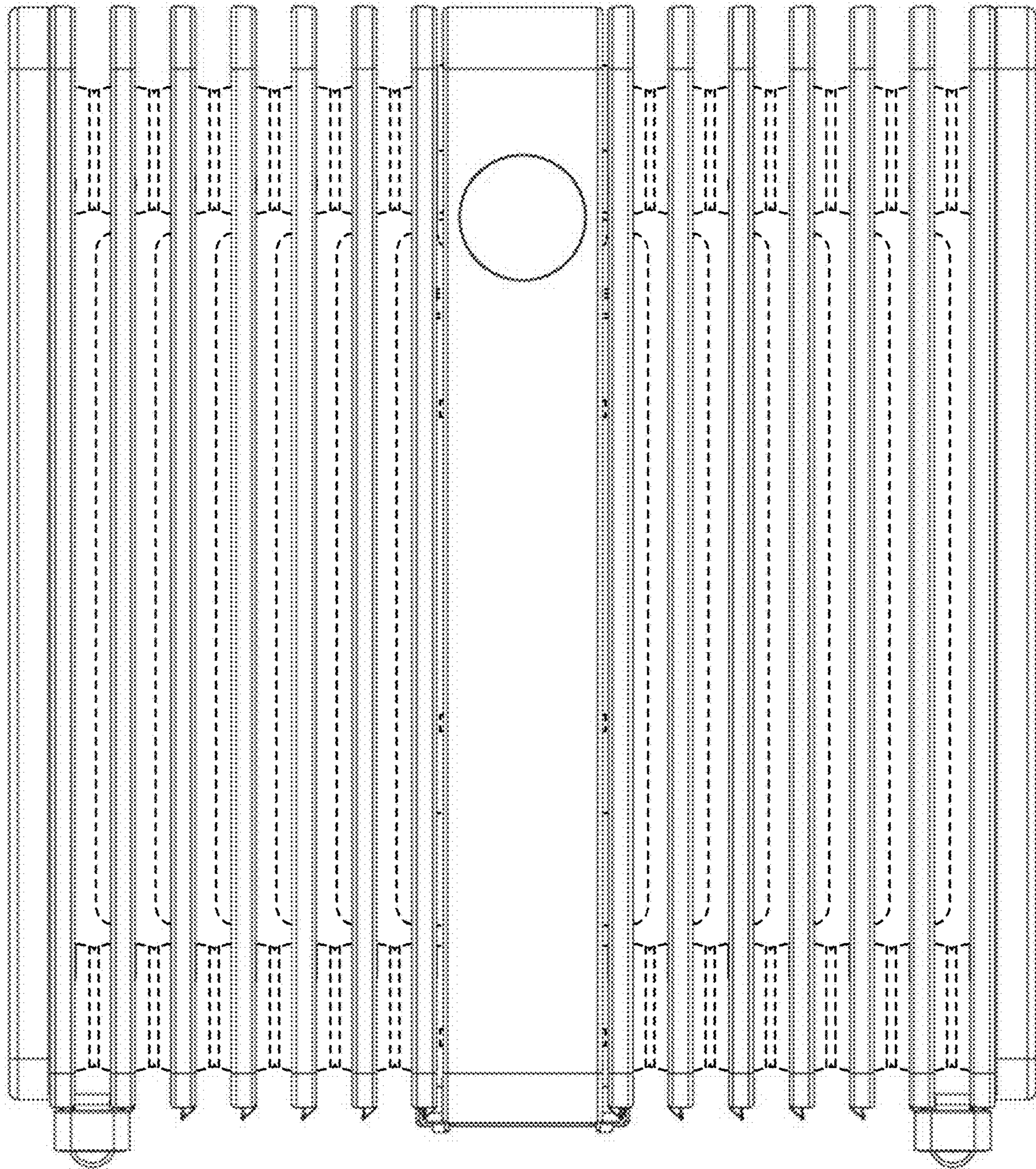
1.7 : Perspective

The broken lines depict portions of the heating equipment
that form no part of the claimed design.

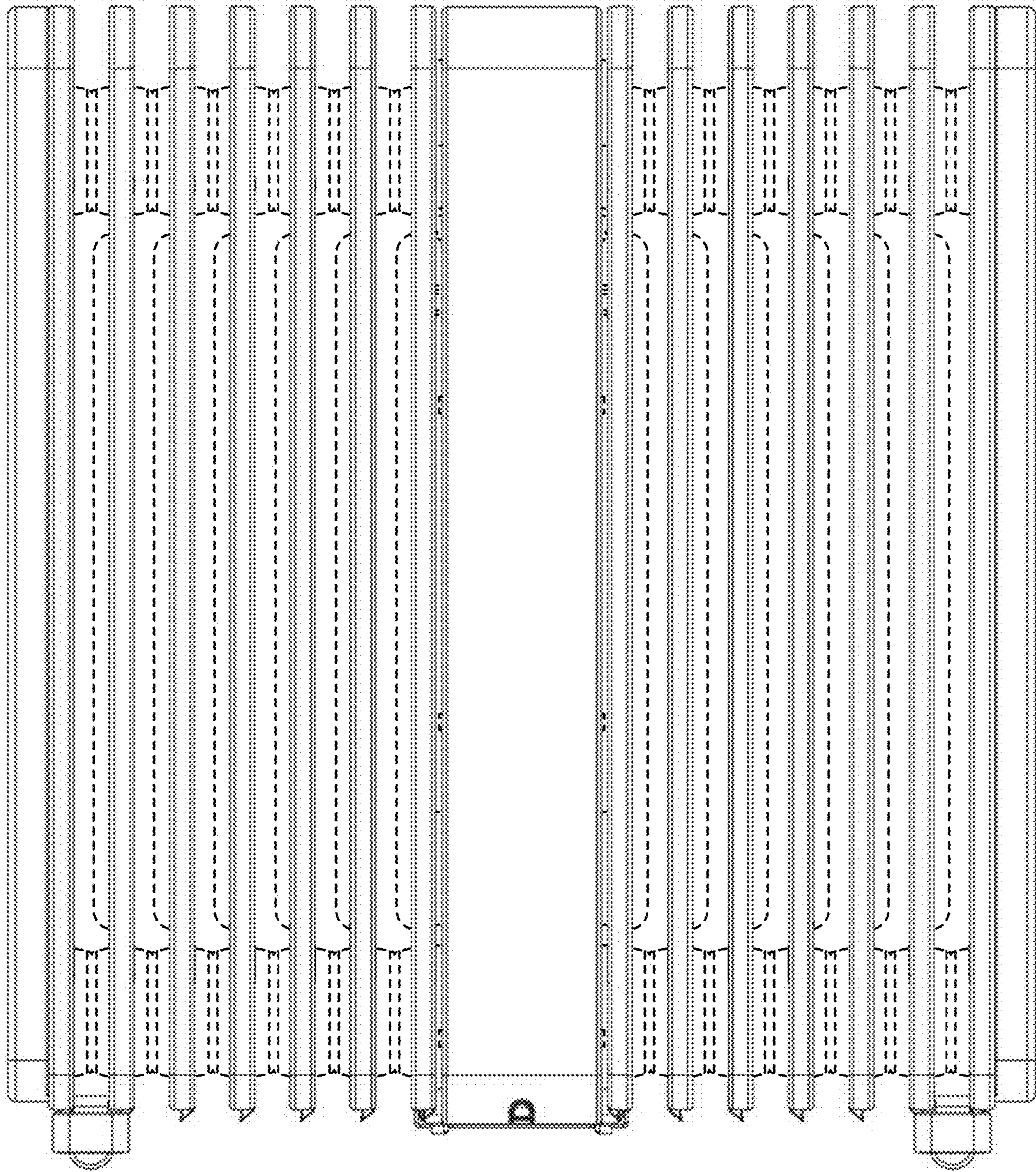
1 Claim, 7 Drawing Sheets



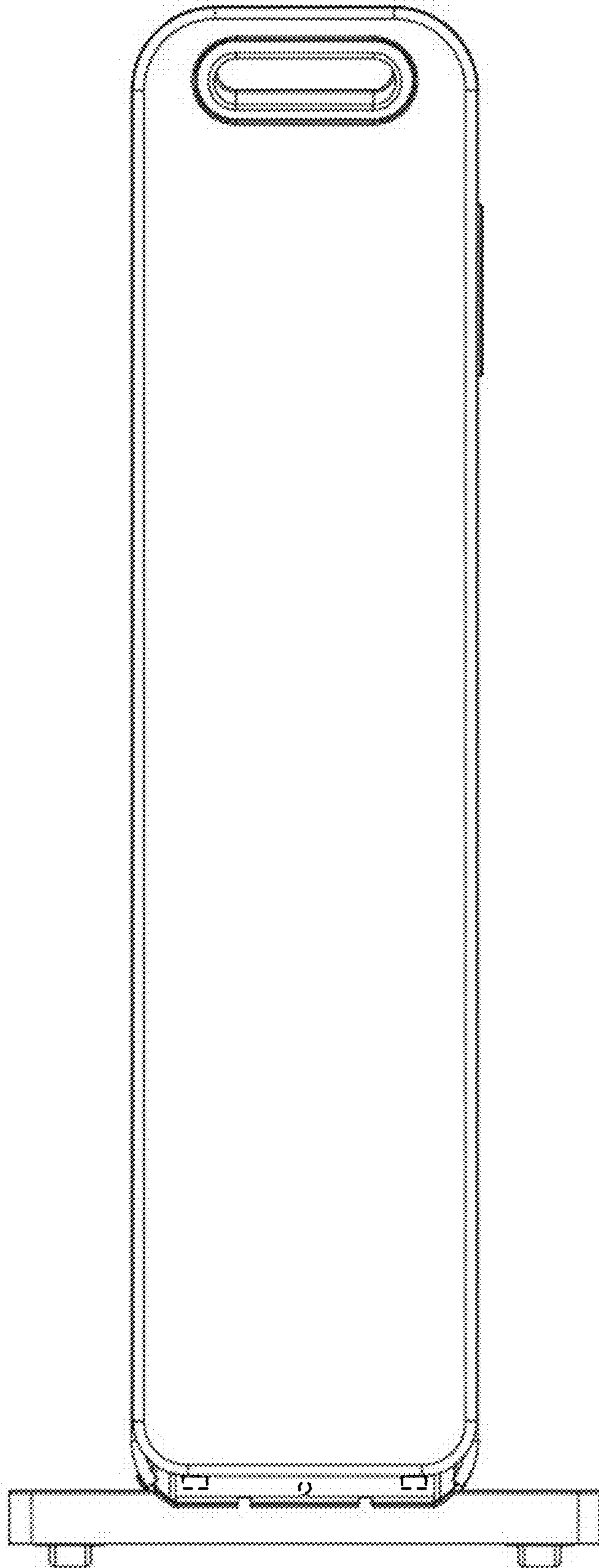
1.1



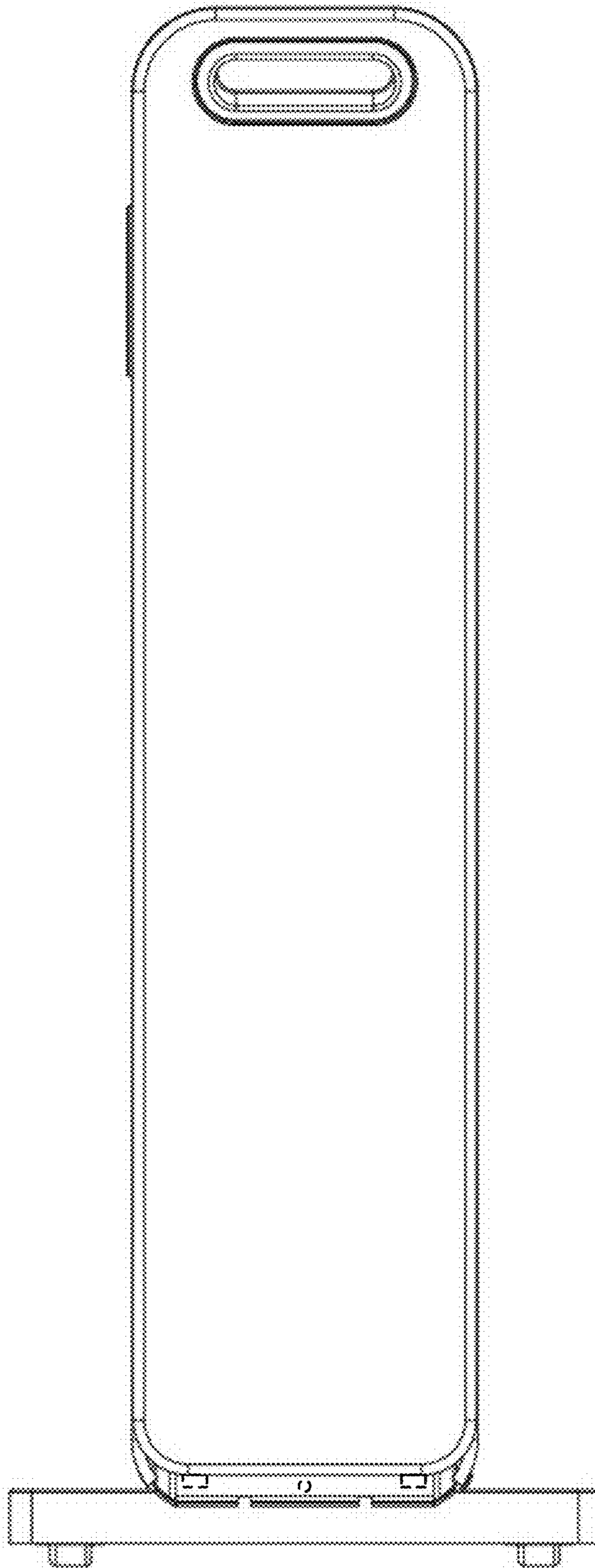
1.2



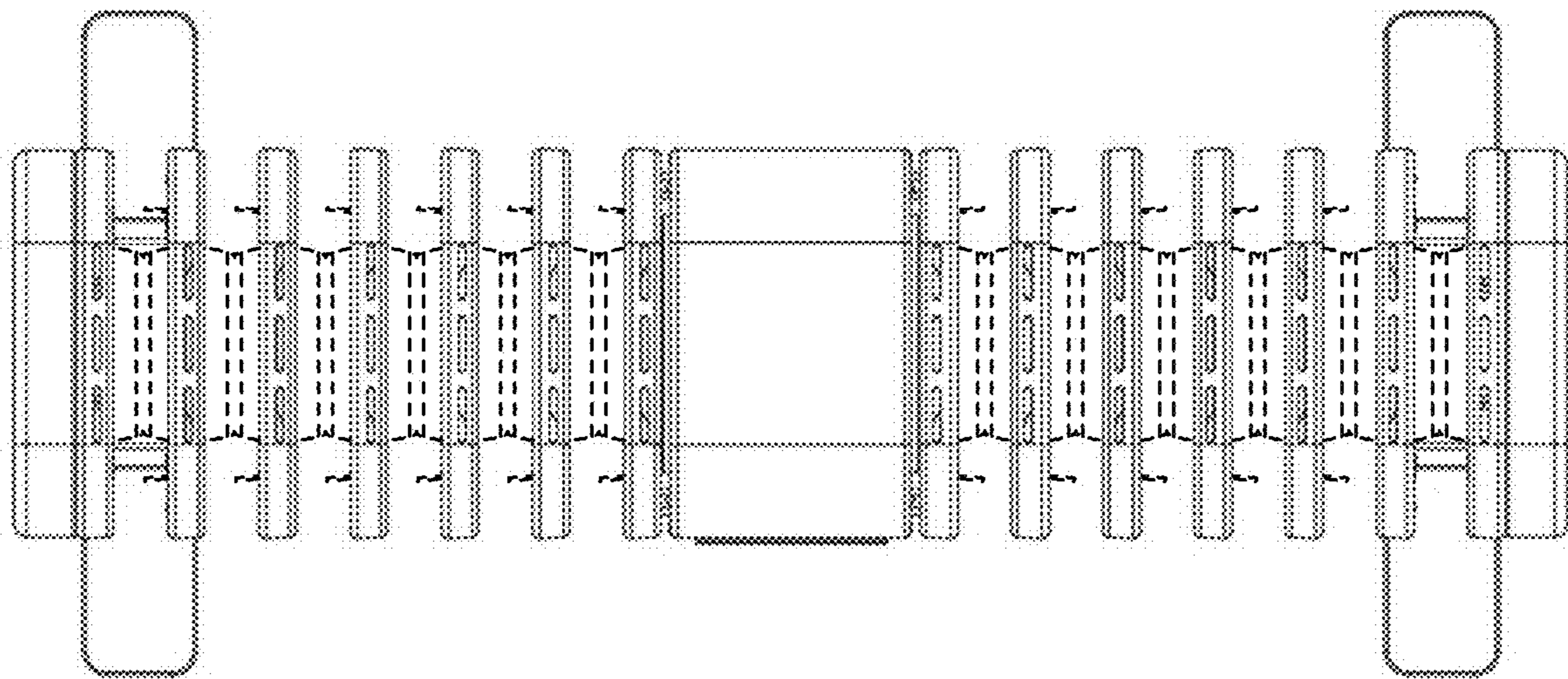
1.3



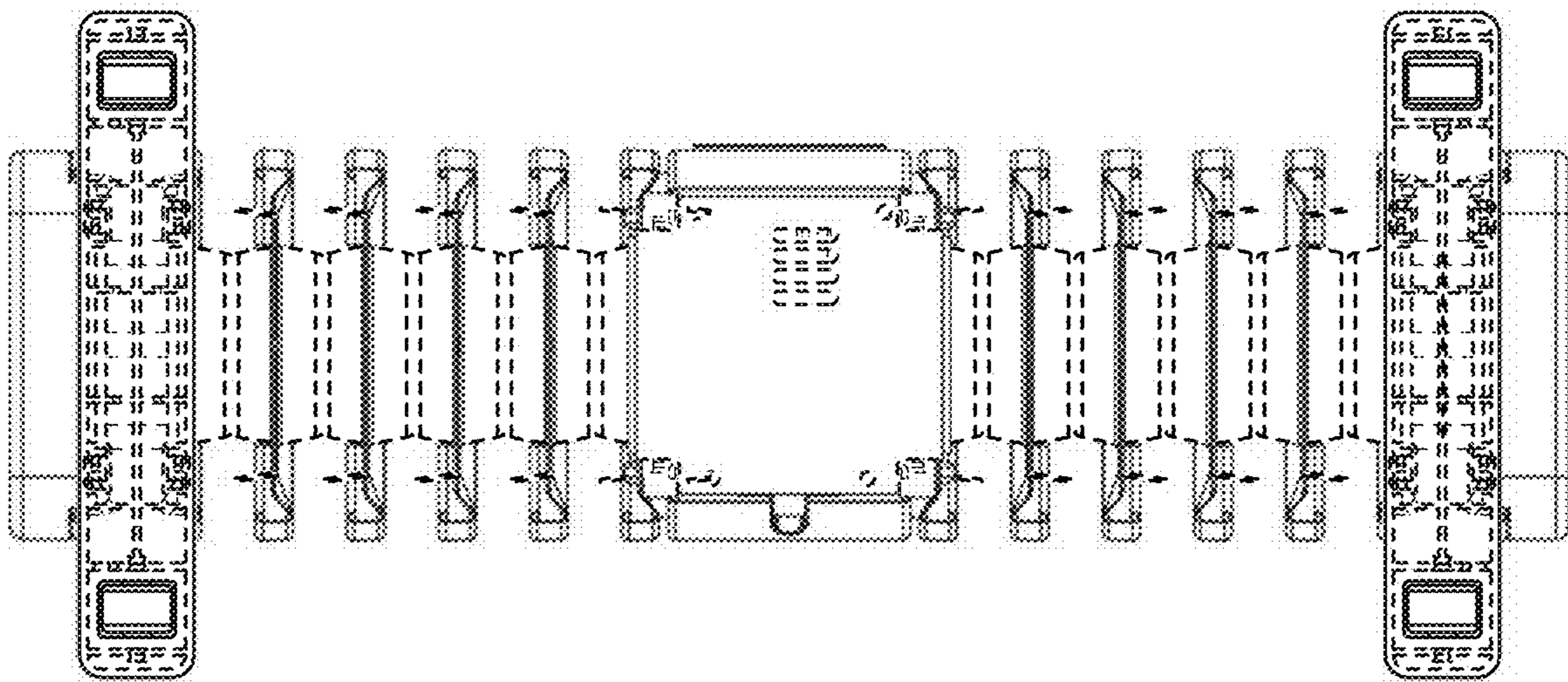
1.4



1.5



1.6



1.7

