



US00D947330S

(12) **United States Design Patent**
Wheeler

(10) **Patent No.:** **US D947,330 S**

(45) **Date of Patent:** **** Mar. 29, 2022**

(54) **TOILET SEAT**

(71) Applicant: **Frank Clyo Wheeler**, Gum Flat (AU)

(72) Inventor: **Frank Clyo Wheeler**, Gum Flat (AU)

(**) Term: **15 Years**

(21) Appl. No.: **35/510,596**

(22) Filed: **Oct. 8, 2020**

(80) **Hague Agreement Data**

Int. Filing Date: **Oct. 8, 2020**

Int. Reg. No.: **DM/210786**

Int. Reg. Date: **Oct. 8, 2020**

Int. Reg. Pub. Date: **Oct. 23, 2020**

(51) **LOC (13) Cl.** **23-02**

(52) **U.S. Cl.**
USPC **D23/311**

(58) **Field of Classification Search**
USPC D23/311
CPC A47K 13/105; A47K 13/30; A47K
2010/328; A47K 2010/3293
See application file for complete search history.

(56) **References Cited**

U.S. PATENT DOCUMENTS

D390,931 S * 2/1998 Jackson D23/311
D686,708 S * 7/2013 Khiroya D23/311

D731,631 S * 6/2015 Derrington D23/311
D755,358 S * 5/2016 Bodman D23/311
D844,122 S * 3/2019 Kwak D23/311
D854,668 S * 7/2019 Wipper D23/311

* cited by examiner

Primary Examiner — Michael A. Pratt

(57) **CLAIM**

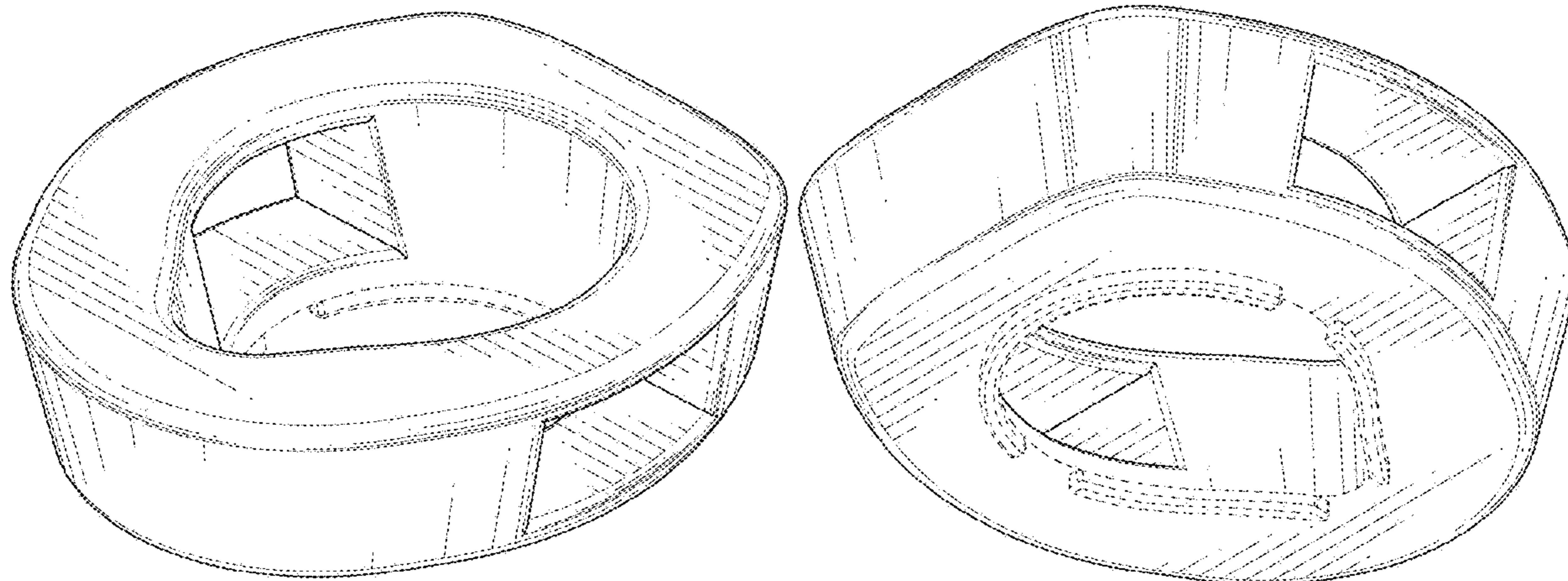
The ornamental design for a toilet seat, as shown and described.

DESCRIPTION

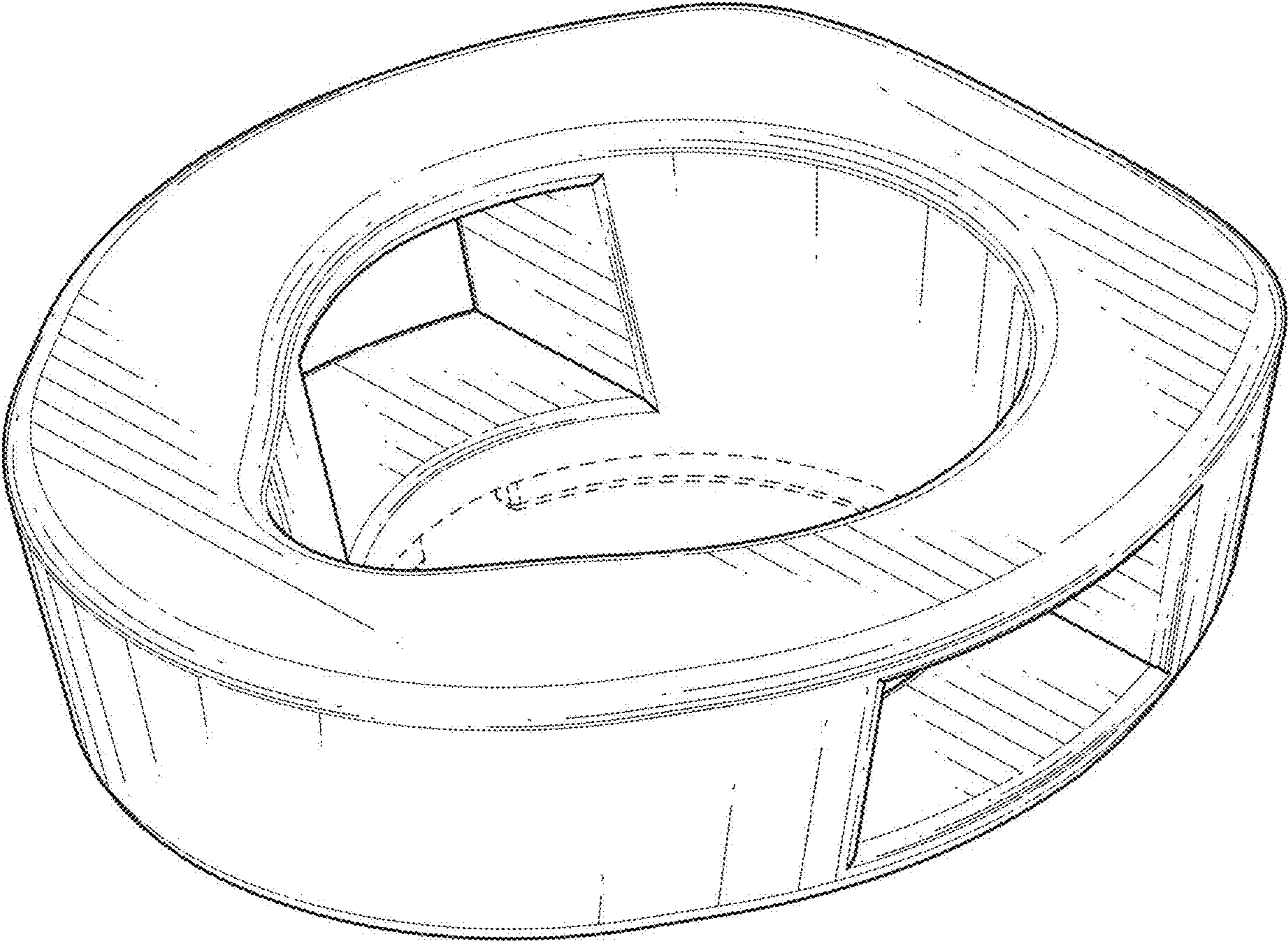
- 1. Toilet seat
- 1.1 : Top perspective view
- 1.2 : Bottom perspective view
- 1.3 : Top
- 1.4 : Bottom
- 1.5 : Front
- 1.6 : Back
- 1.7 : Left
- 1.8 : Right

The broken lines of even length depict portions of the toilet seat that form no part of the claimed design.

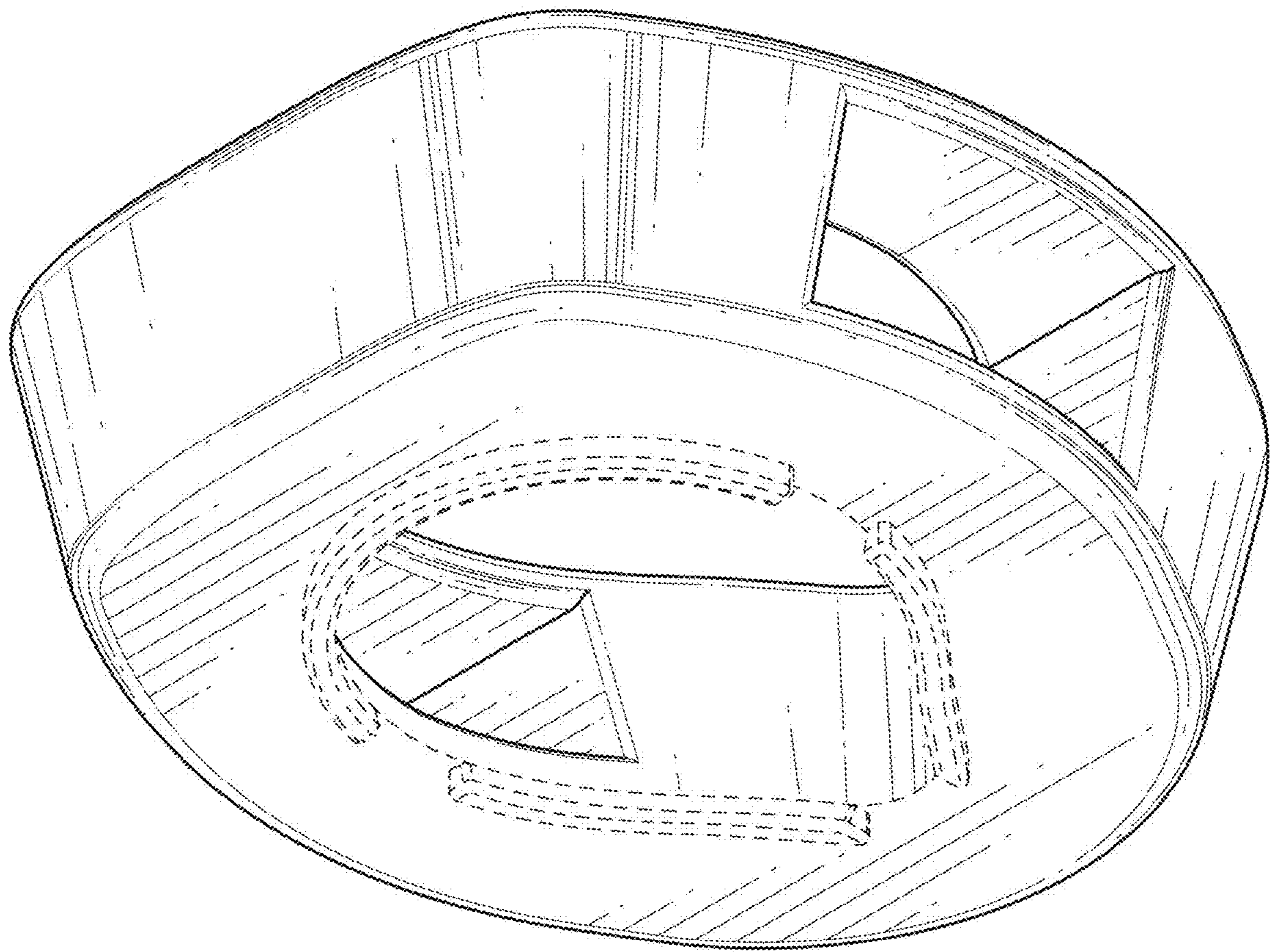
1 Claim, 8 Drawing Sheets



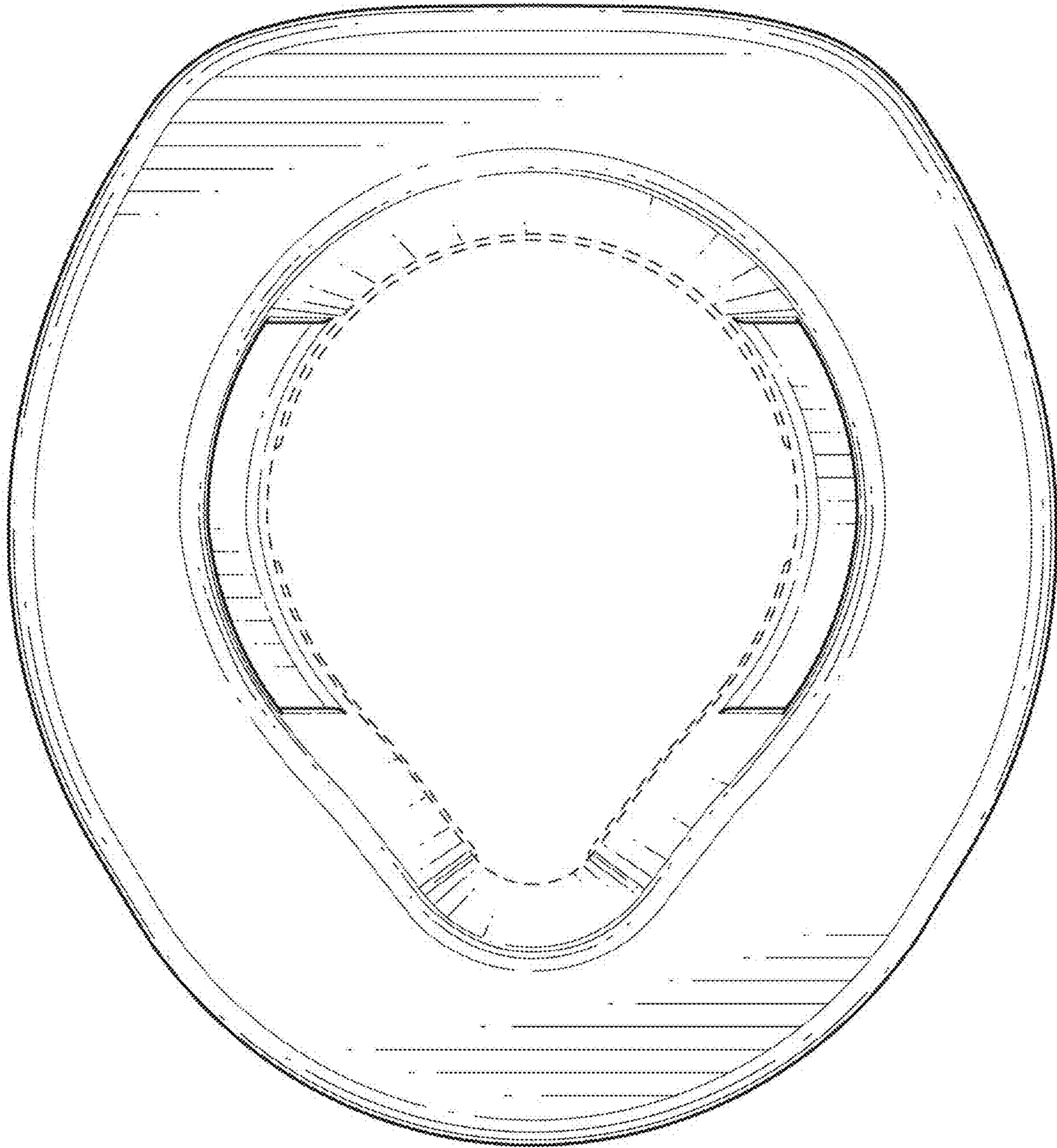
1.1



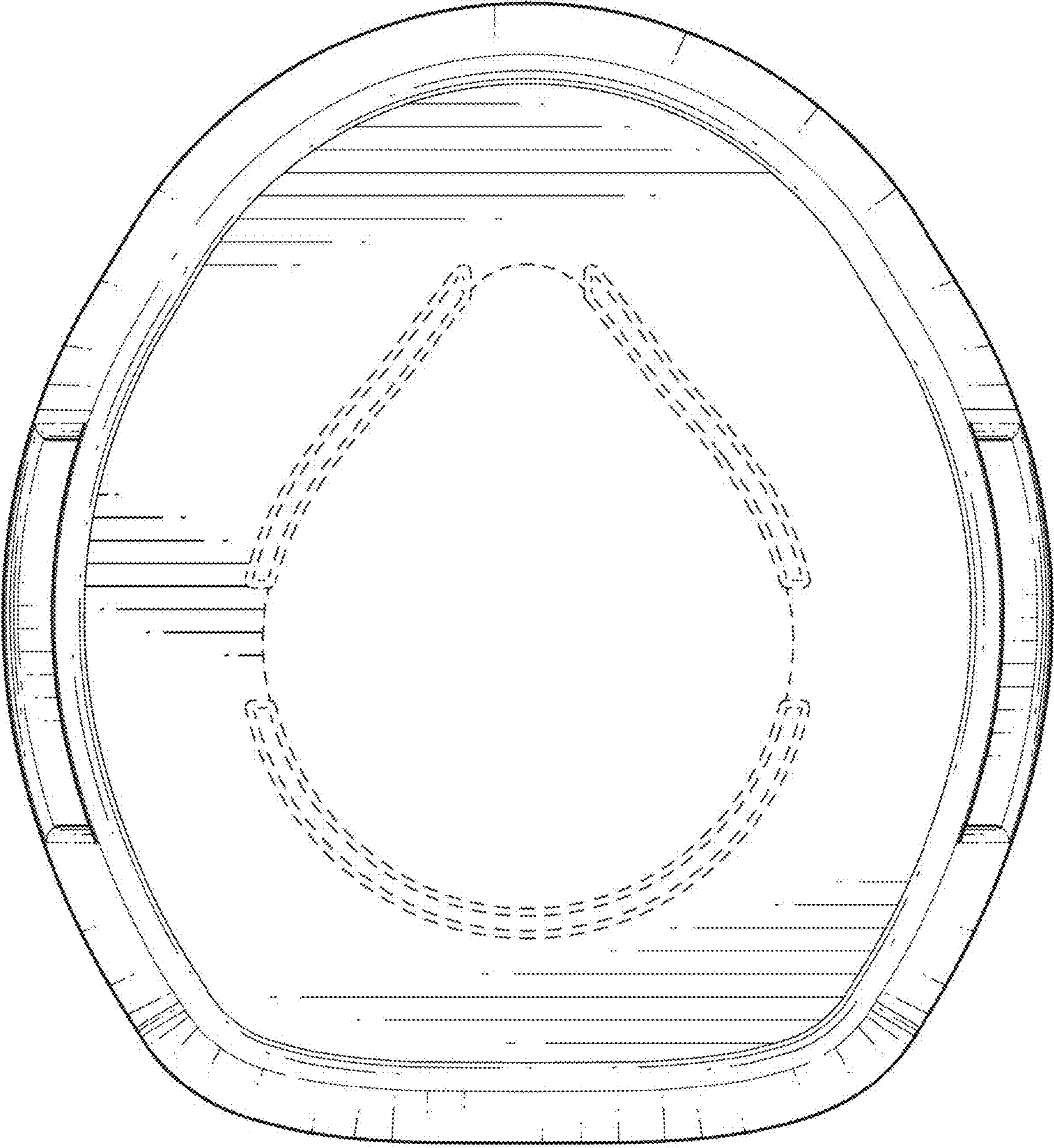
1.2



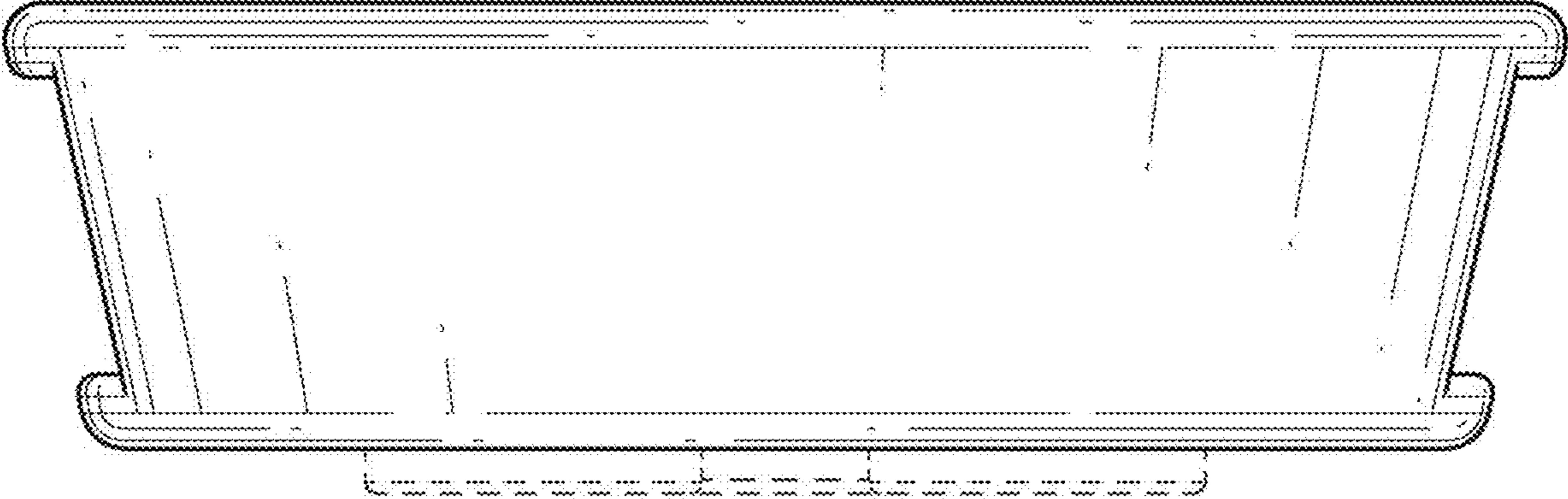
1.3



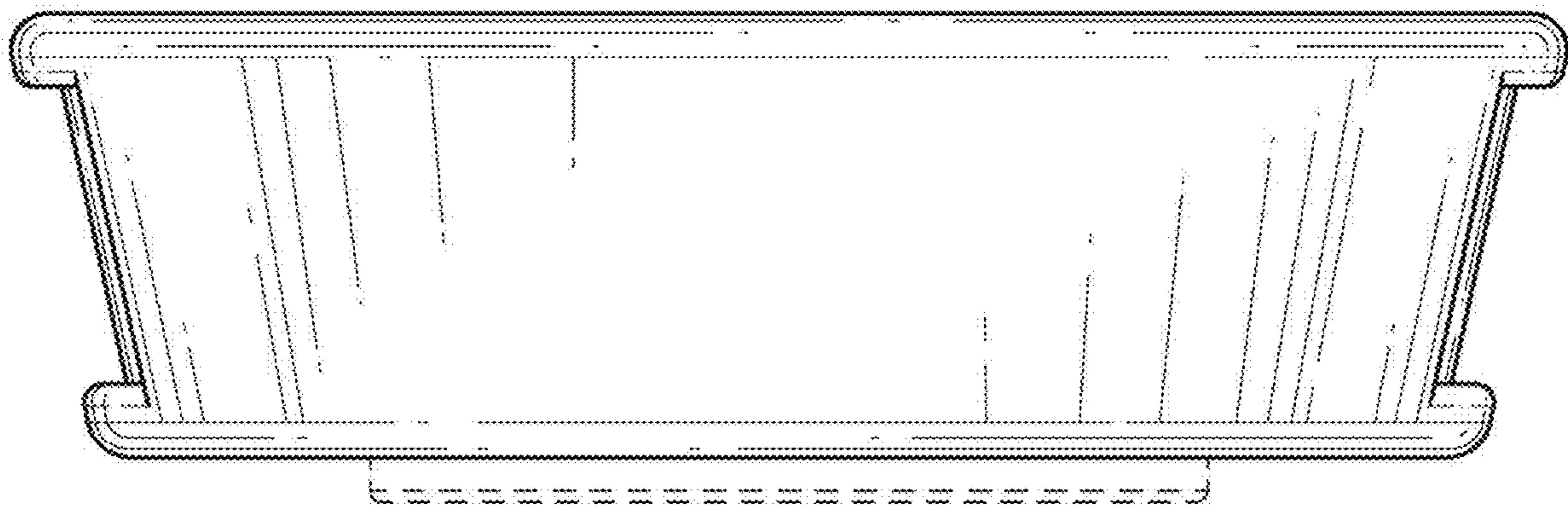
1.4



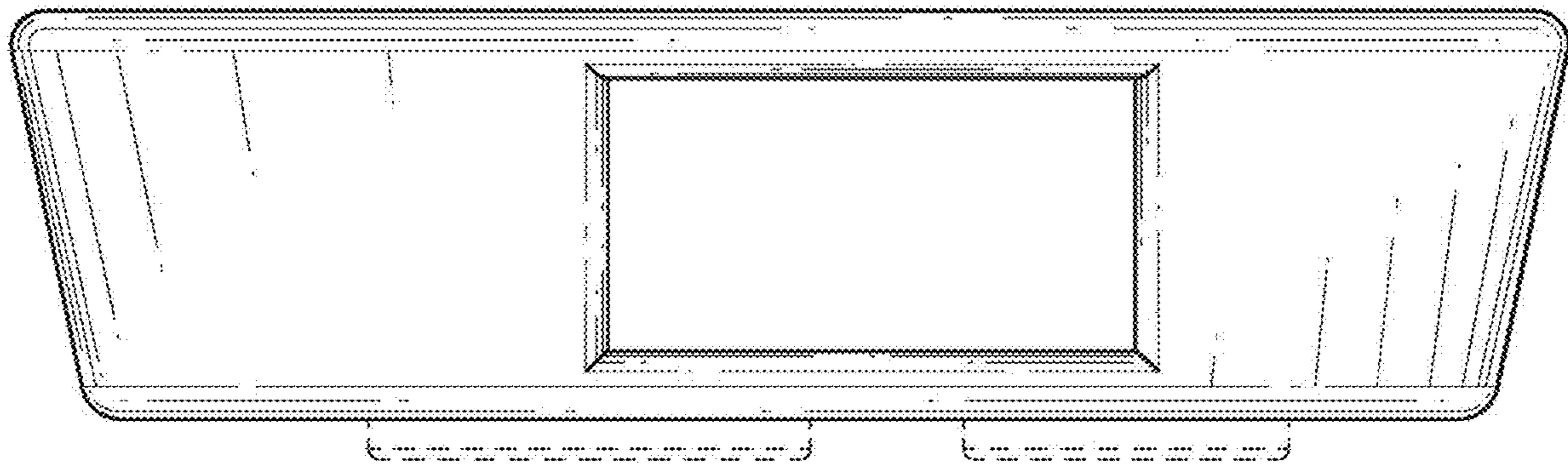
1.5



1.6



1.7



1.8

