



US00D947328S

(12) **United States Design Patent** (10) **Patent No.:** **US D947,328 S**
Klatt (45) **Date of Patent:** **** Mar. 29, 2022**

(54) **BALL VALVE LIFT APPARATUS**
(71) Applicant: **Tru Lift Supply Inc.**, Calgary (CA)
(72) Inventor: **Ryan Klatt**, Calgary (CA)
(73) Assignee: **Tru Lift Supply Inc.**, Calgary (CA)
(**) Term: **15 Years**
(21) Appl. No.: **29/710,784**
(22) Filed: **Oct. 25, 2019**
(51) **LOC (13) Cl.** **23-01**
(52) **U.S. Cl.**
USPC **D23/262**
(58) **Field of Classification Search**
USPC D23/233, 245, 249, 269; 137/15.22,
137/539.5
CPC F16K 27/067; F16K 5/201; F16K 5/0636;
F16K 15/1823; F16K 5/0663; F16K
27/0209; F16K 15/1825
See application file for complete search history.

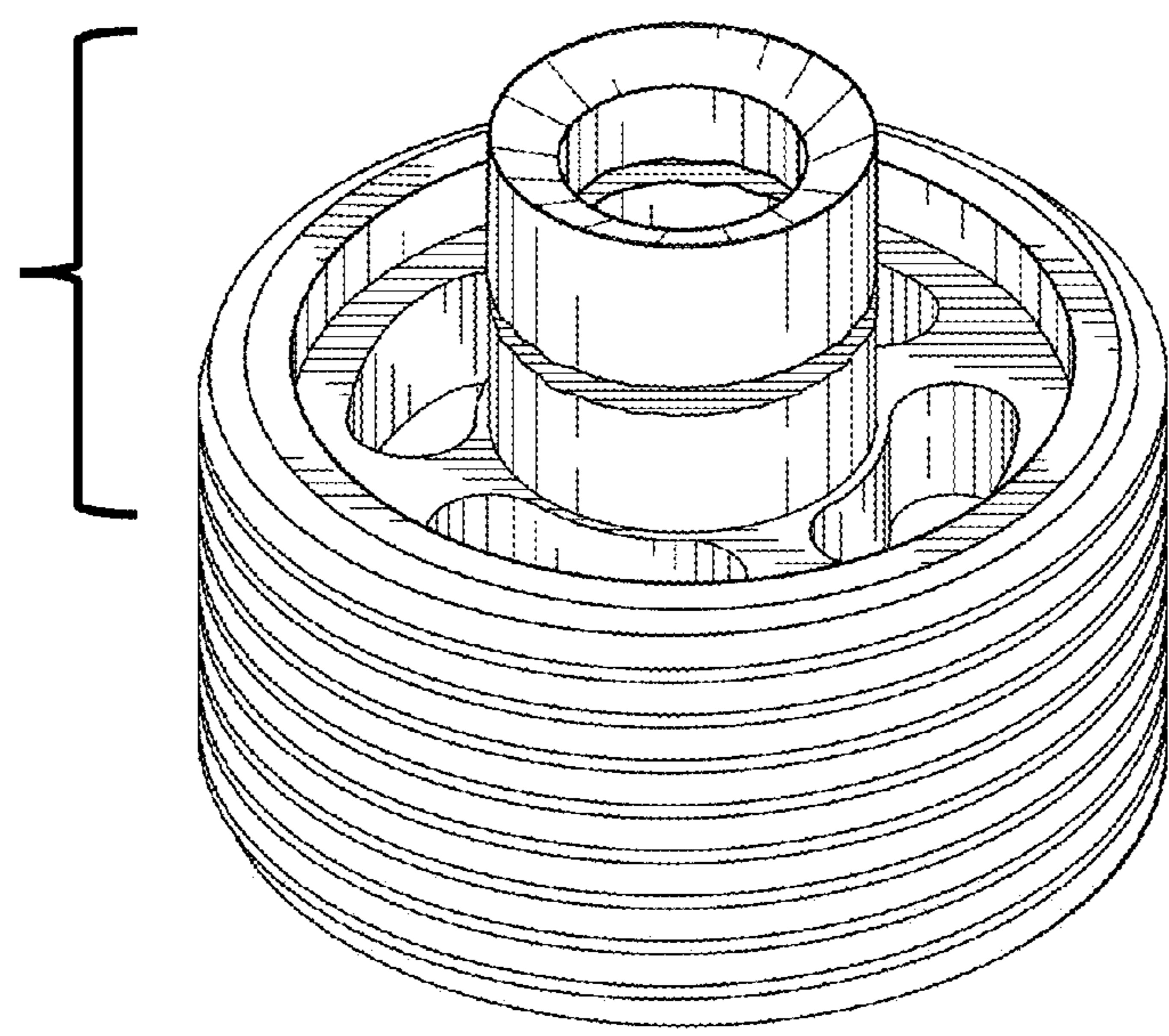
(56) **References Cited**
U.S. PATENT DOCUMENTS
3,799,194 A * 3/1974 Bedo F16K 15/044
137/539.5
7,306,010 B2 * 12/2007 Gruener, Sr. F16K 5/0626
137/15.22
7,506,665 B2 * 3/2009 Gruener, Sr. F16K 5/0626
137/15.22
D834,149 S * 11/2018 Yung D23/245
D903,064 S * 11/2020 Mulhern D23/262
D922,541 S * 6/2021 Mulhern D23/262

* cited by examiner
Primary Examiner — Gino Colan
(74) *Attorney, Agent, or Firm* — Kyle R Satterthwaite;
Ryan W Dupuis; Ade & Company Inc.

(57) **CLAIM**
The ornamental design for a ball valve lift apparatus, as shown and described.

DESCRIPTION
FIG. 1 is a top perspective view of a first embodiment of the ball valve lift apparatus;
FIG. 2 is a bottom perspective view thereof;
FIG. 3 is a front elevational view thereof;
FIG. 4 is a rear elevational view thereof;
FIG. 5 is a left elevational view thereof;
FIG. 6 is a right elevational view thereof;
FIG. 7 is a top plan view thereof;
FIG. 8 is a bottom plan view thereof;
FIG. 9 is a top perspective view of a second embodiment of the ball valve lift apparatus;
FIG. 10 is a bottom perspective view thereof;
FIG. 11 is a front elevational view thereof;
FIG. 12 is a rear elevational view thereof;
FIG. 13 is a left elevational view thereof;
FIG. 14 is a right elevational view thereof;
FIG. 15 is a top plan view thereof;
FIG. 16 is a bottom plan view thereof;
FIG. 17 is a top perspective view of a third embodiment of the ball valve lift apparatus;
FIG. 18 is a bottom perspective view thereof;
FIG. 19 is a front elevational view thereof;
FIG. 20 is a rear elevational view thereof;
FIG. 21 is a left elevational view thereof;
FIG. 22 is a right elevational view thereof;
FIG. 23 is a top plan view thereof; and,
FIG. 24 is a bottom plan view thereof.
The broken lines shown in the figures are for the purpose of illustrating portions of the ball valve lift apparatus that form no part of the claimed design.
The ball valve lift apparatus is shown with a symbolic break in its length. The appearance of any portion of the article between the break lines forms no part of the claimed design.

1 Claim, 12 Drawing Sheets



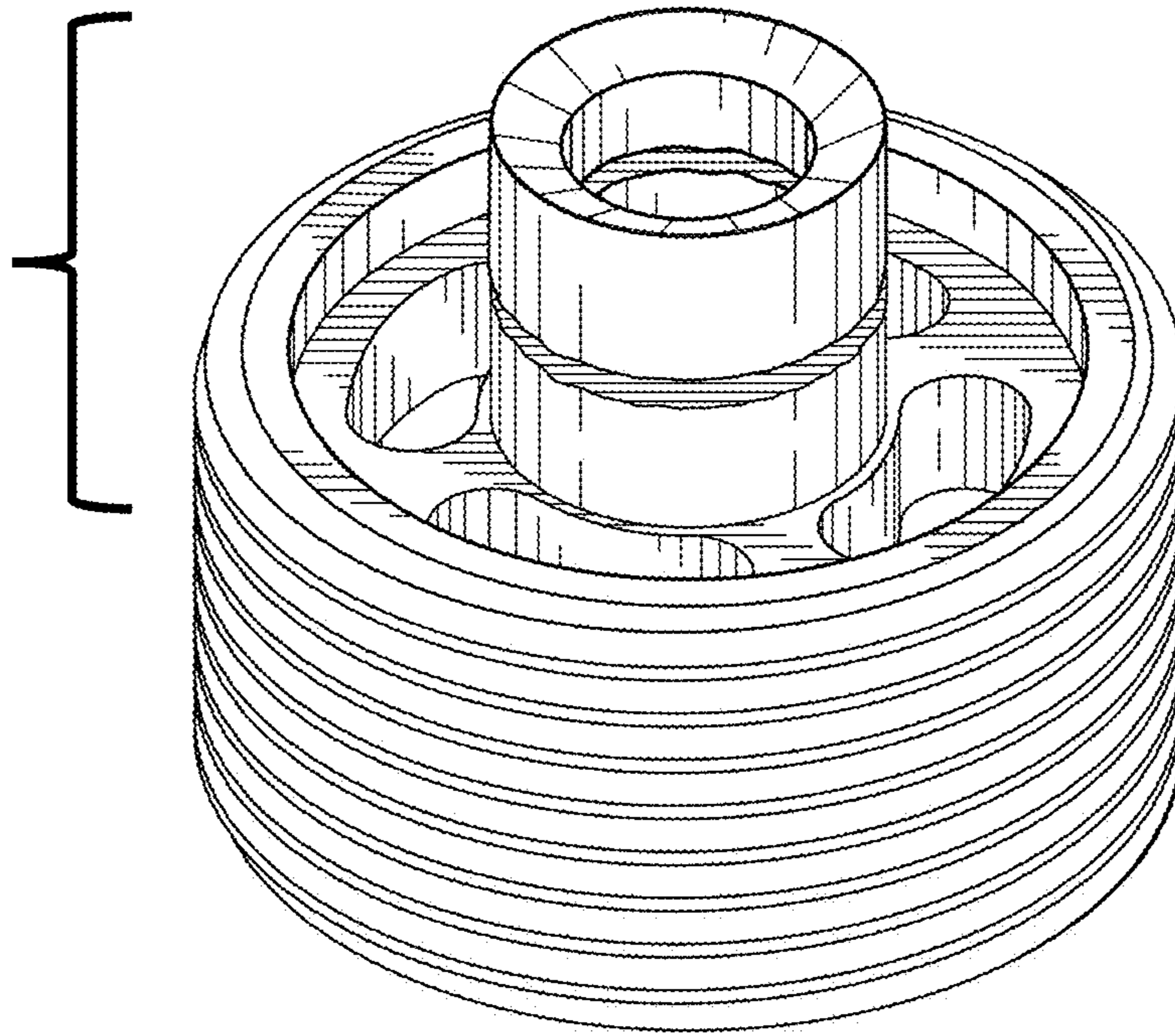


FIG. 1

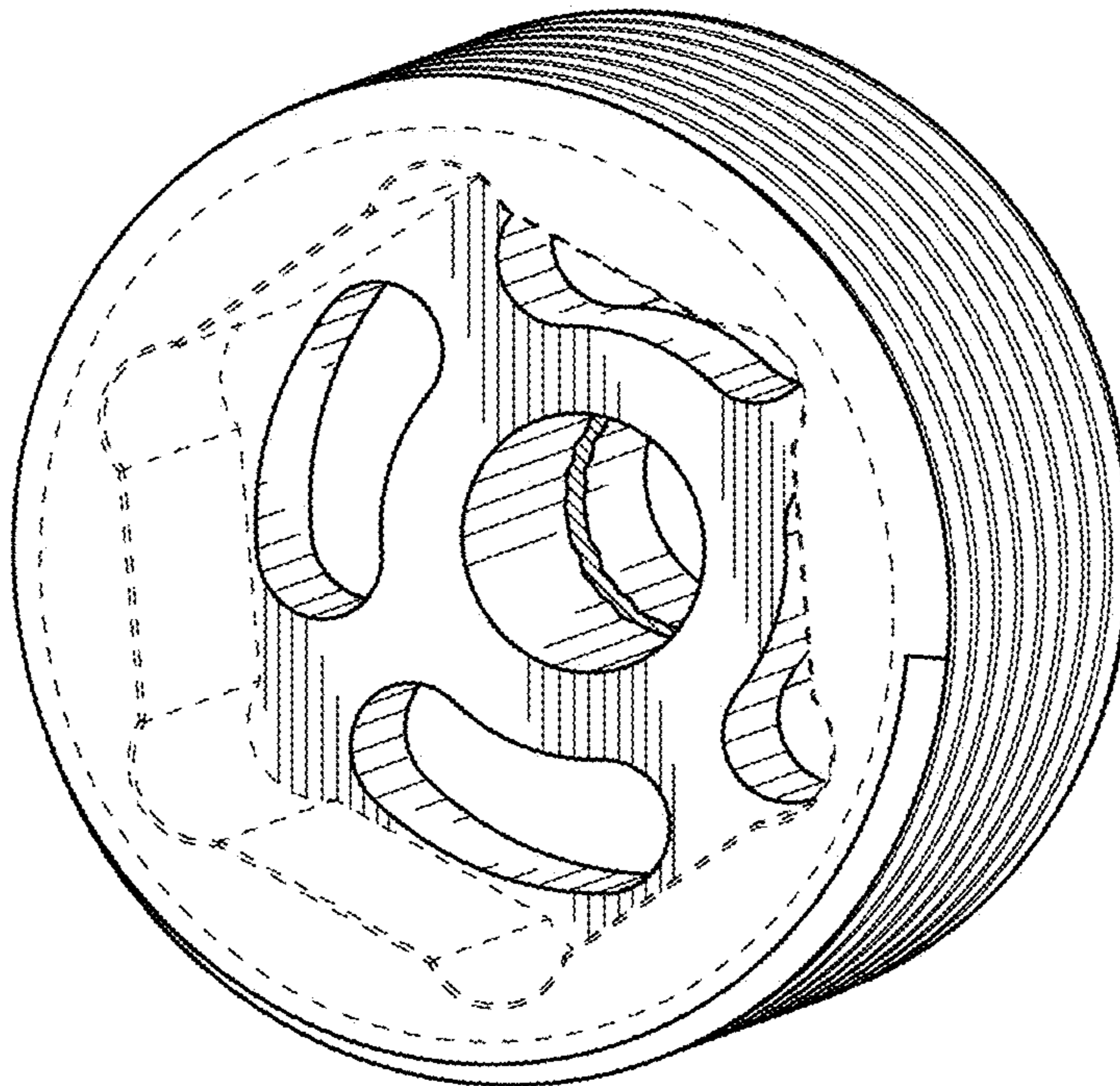


FIG. 2

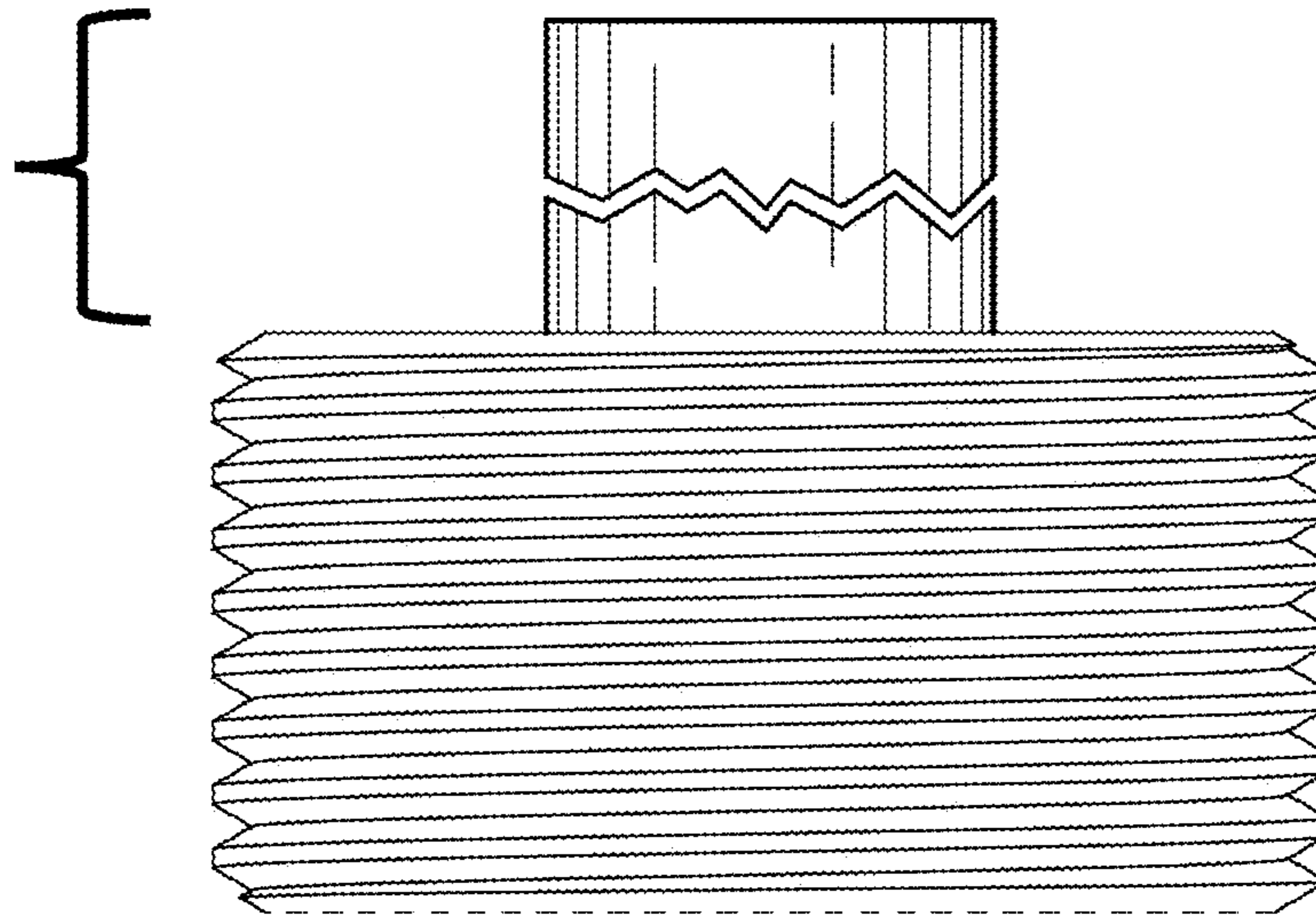


FIG. 3

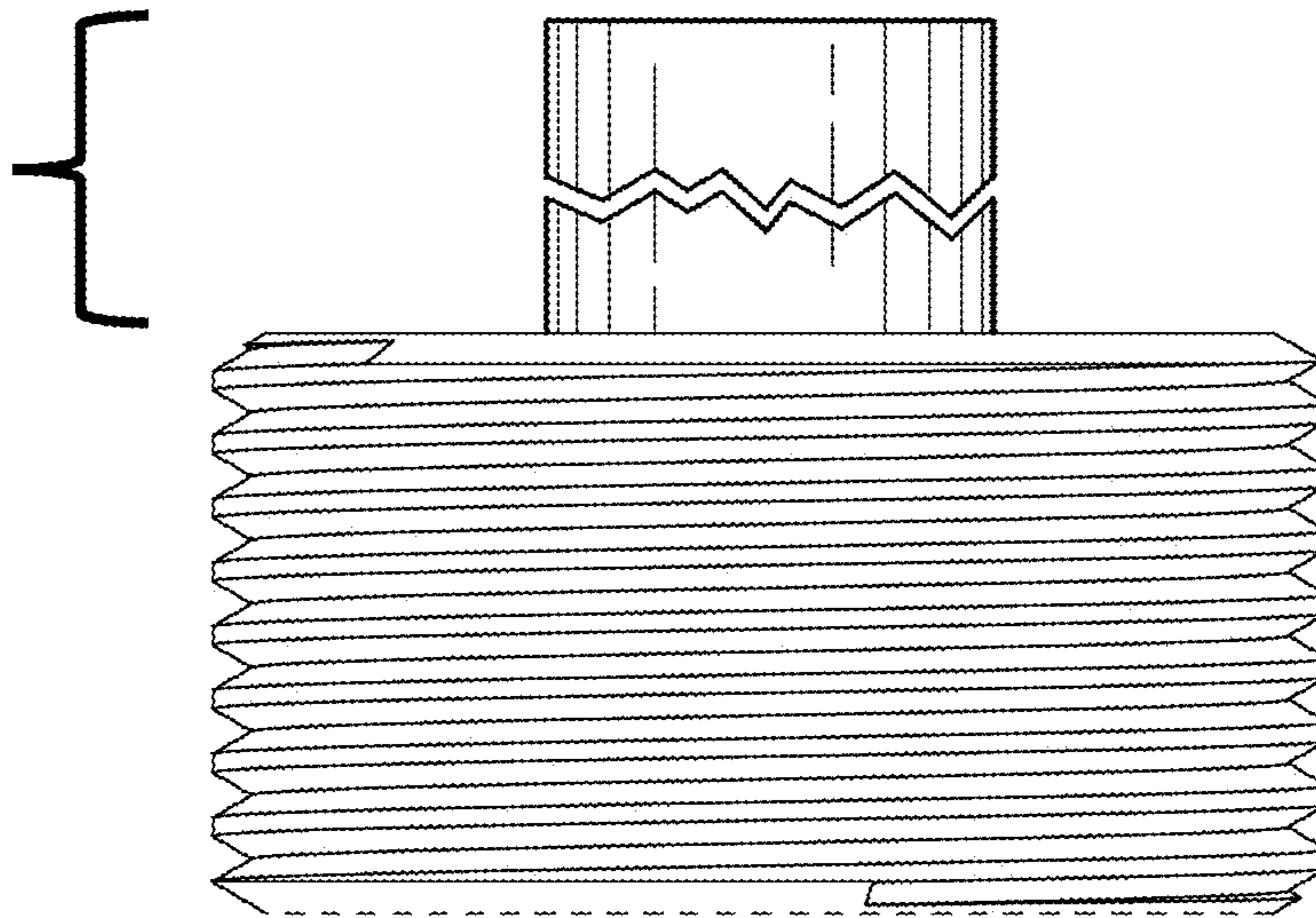


FIG. 4

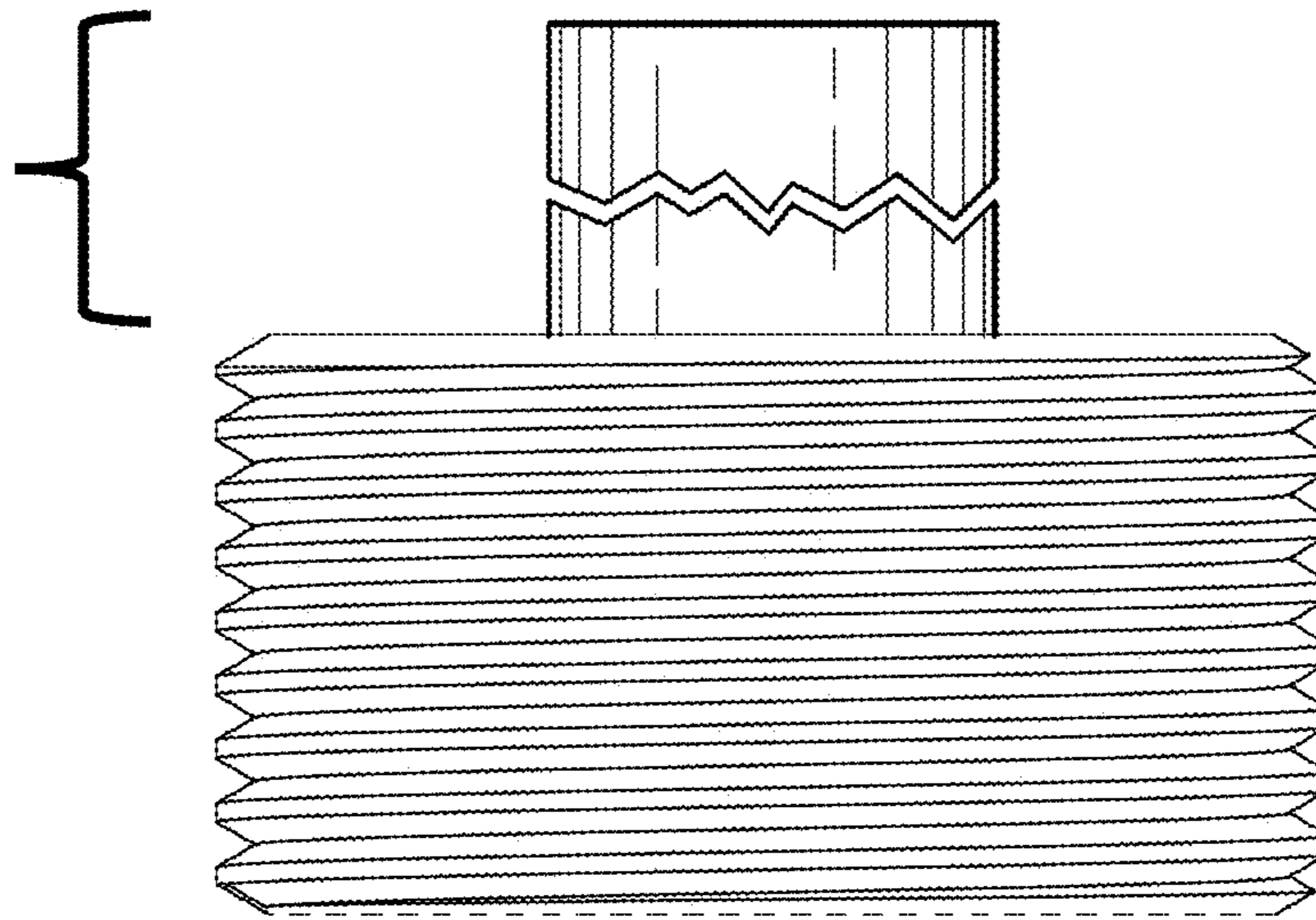


FIG. 5

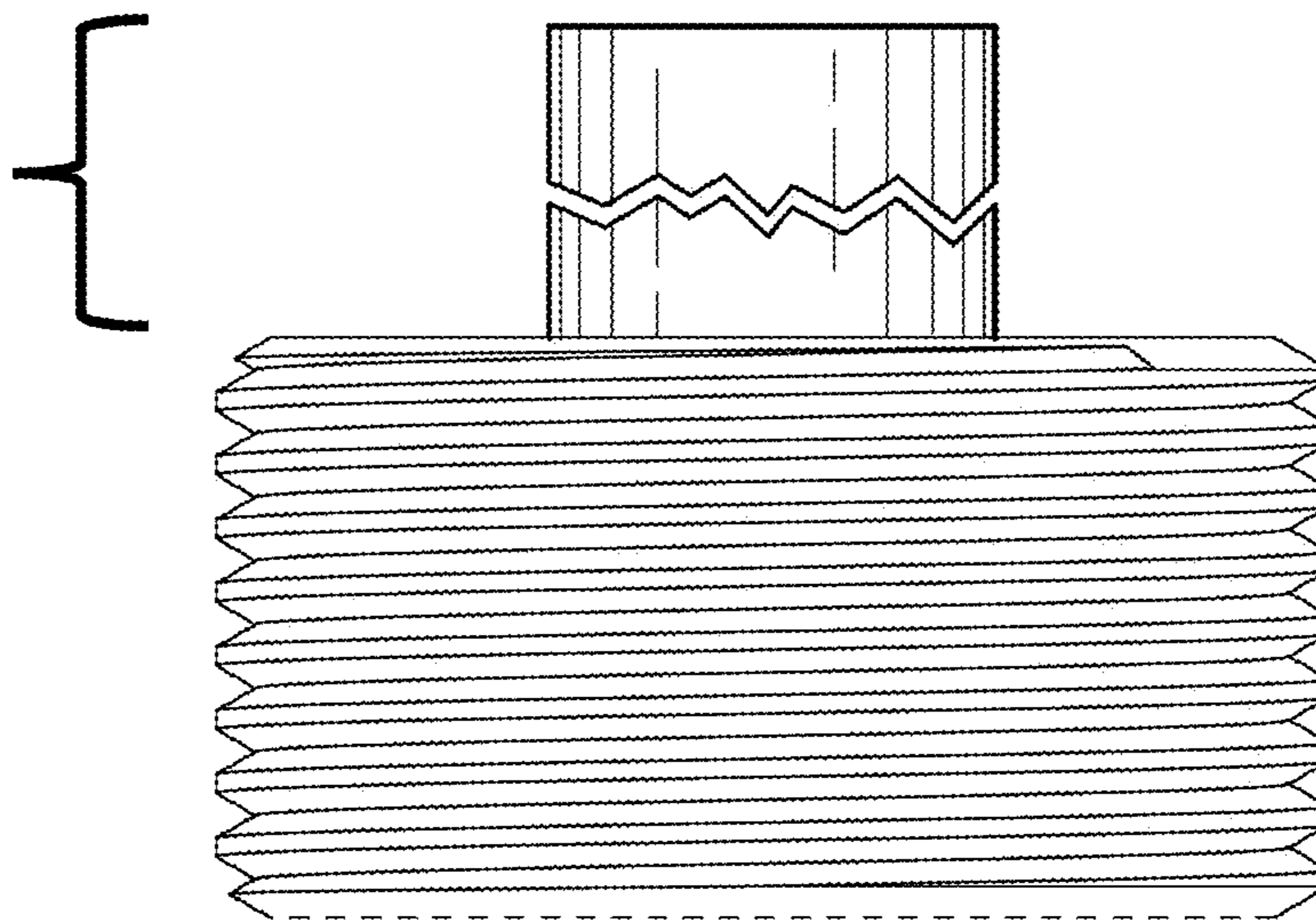


FIG. 6

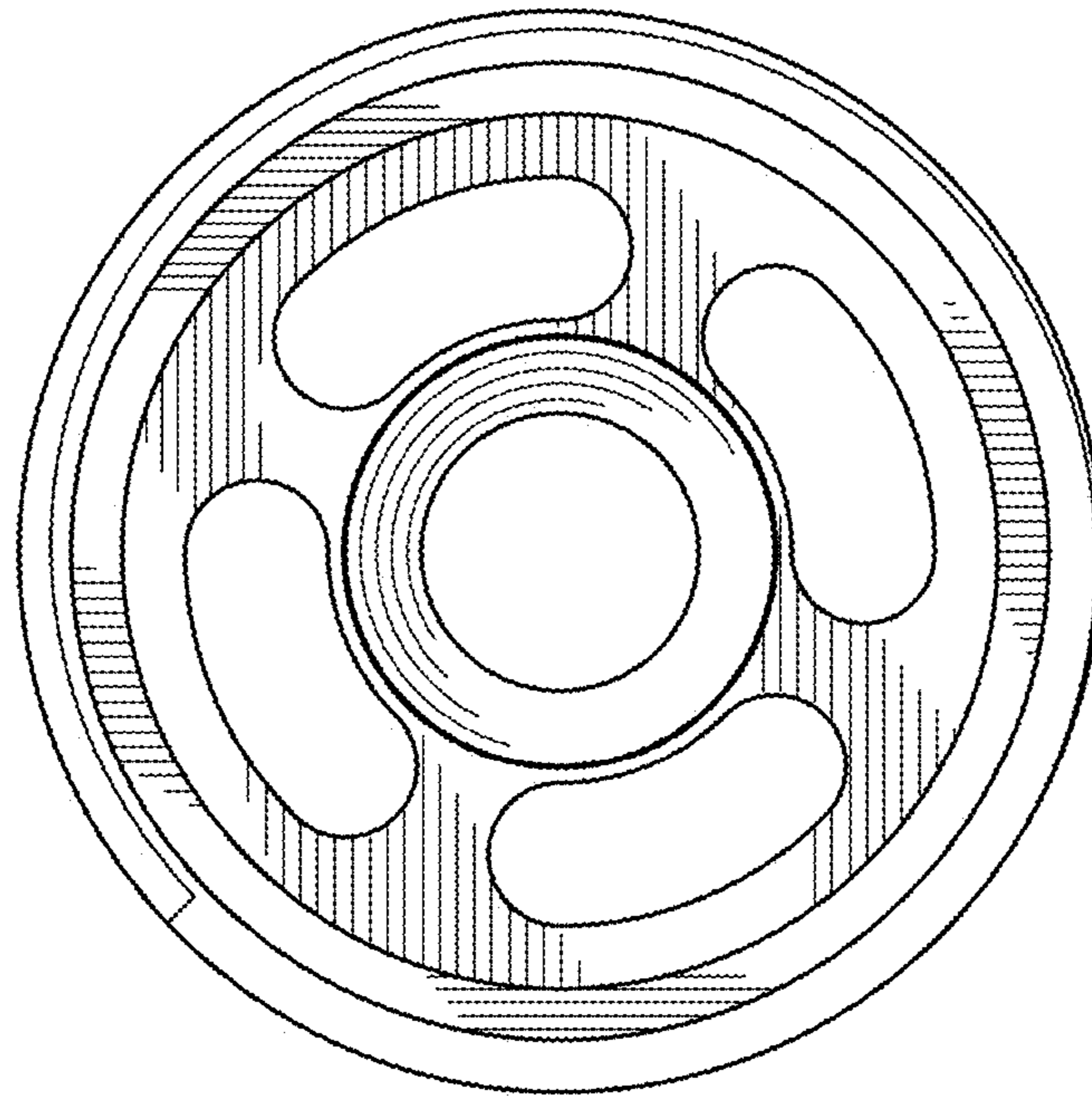


FIG. 7

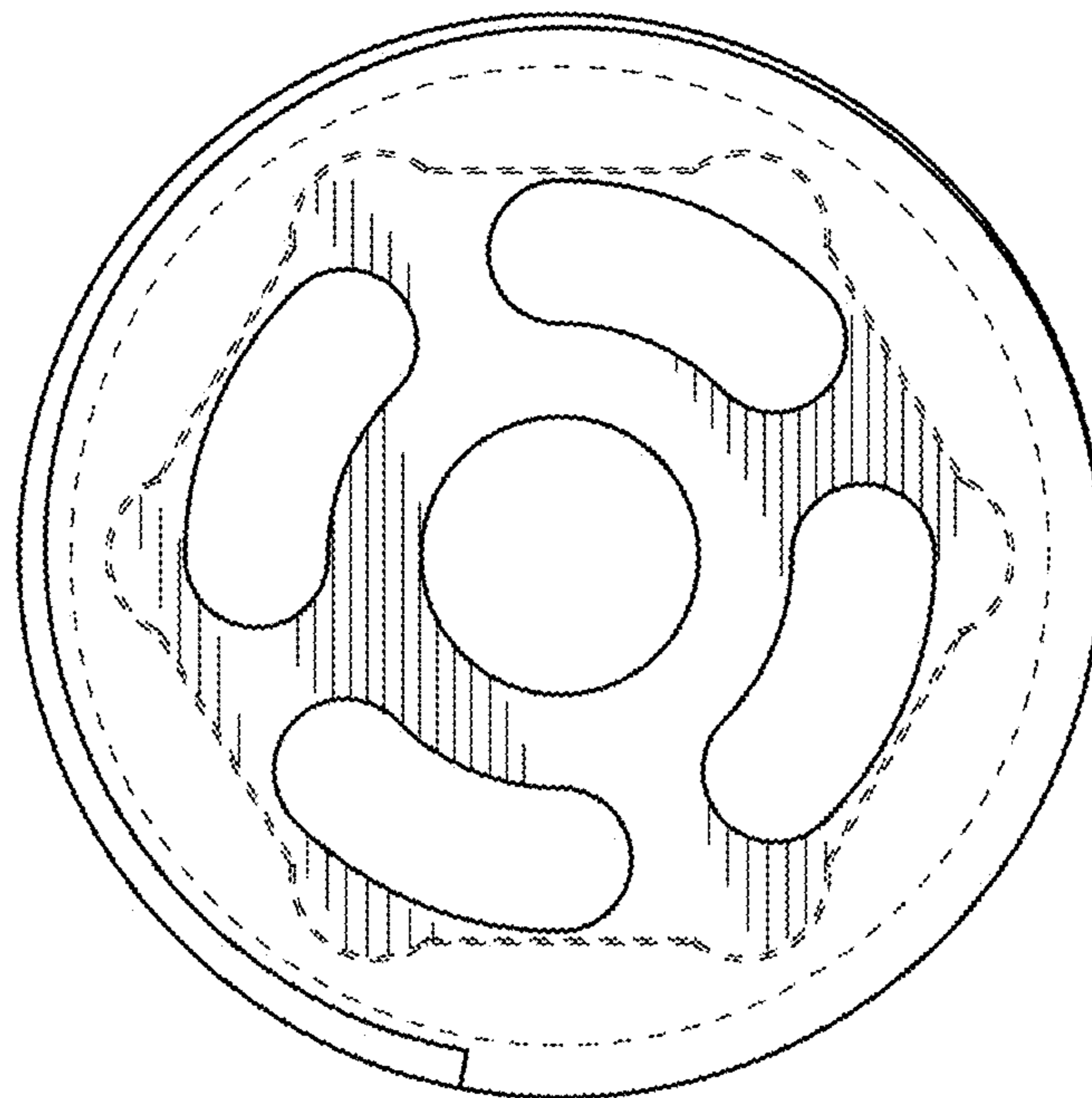


FIG. 8

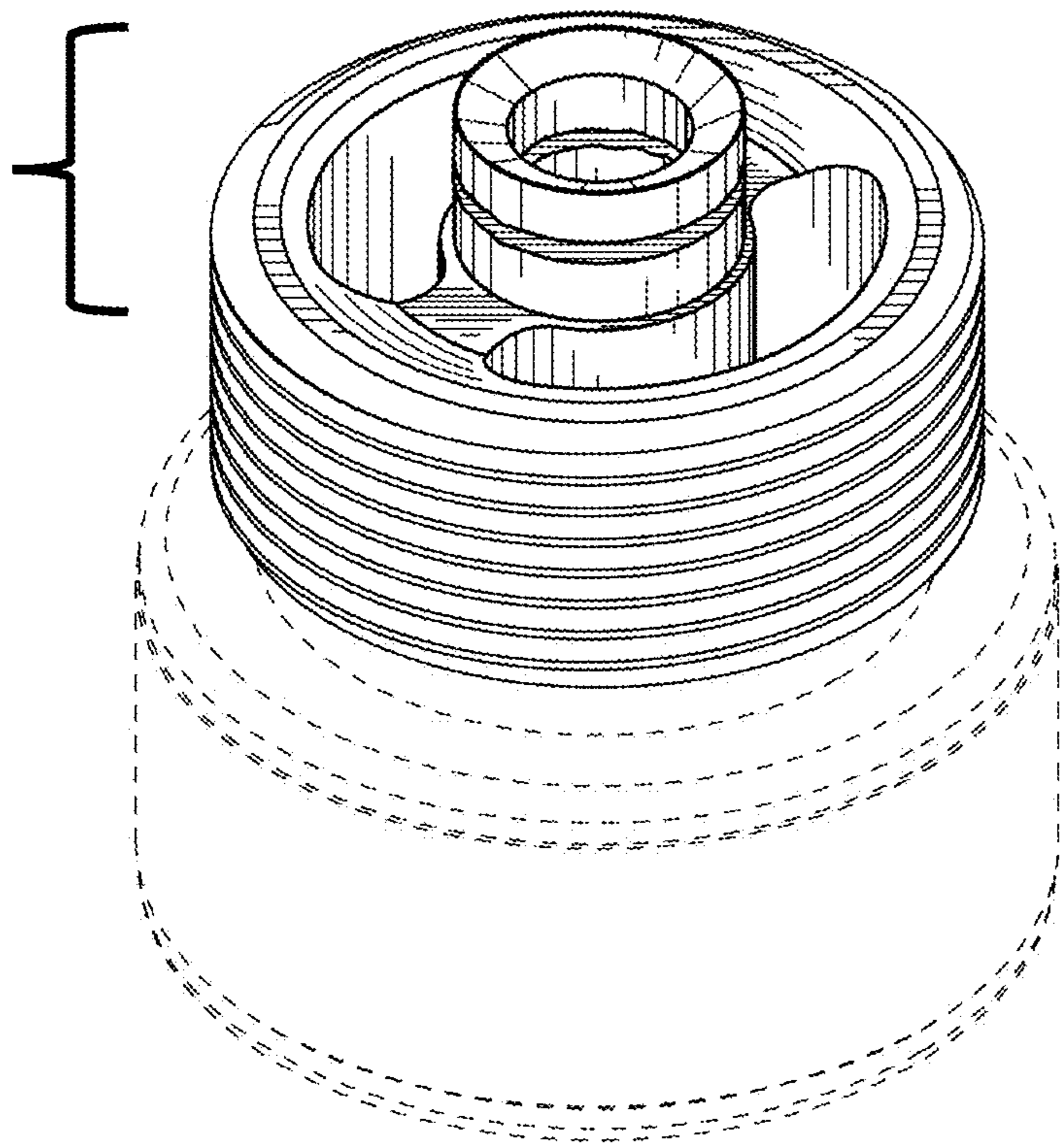
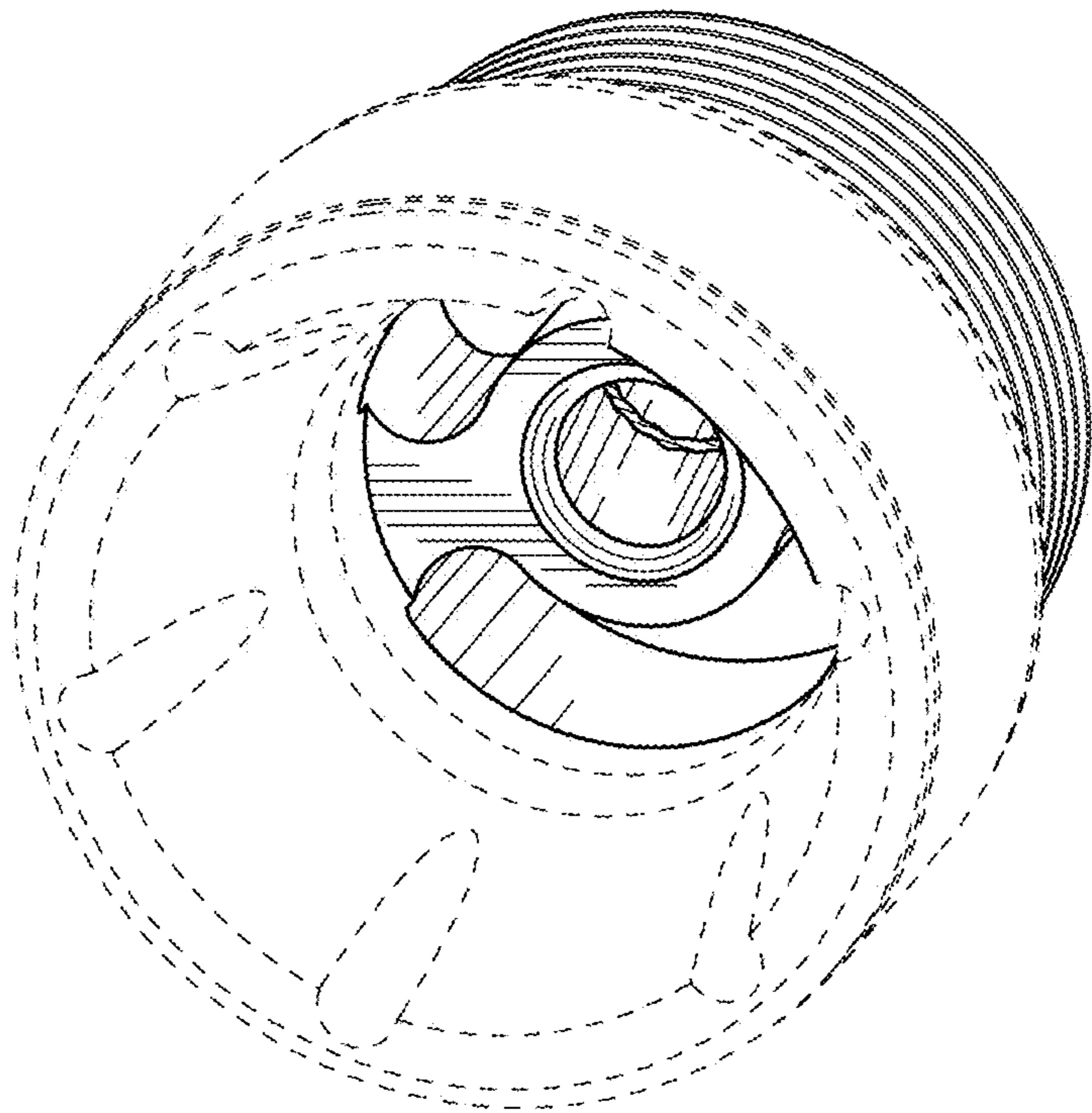


FIG. 9

FIG. 10



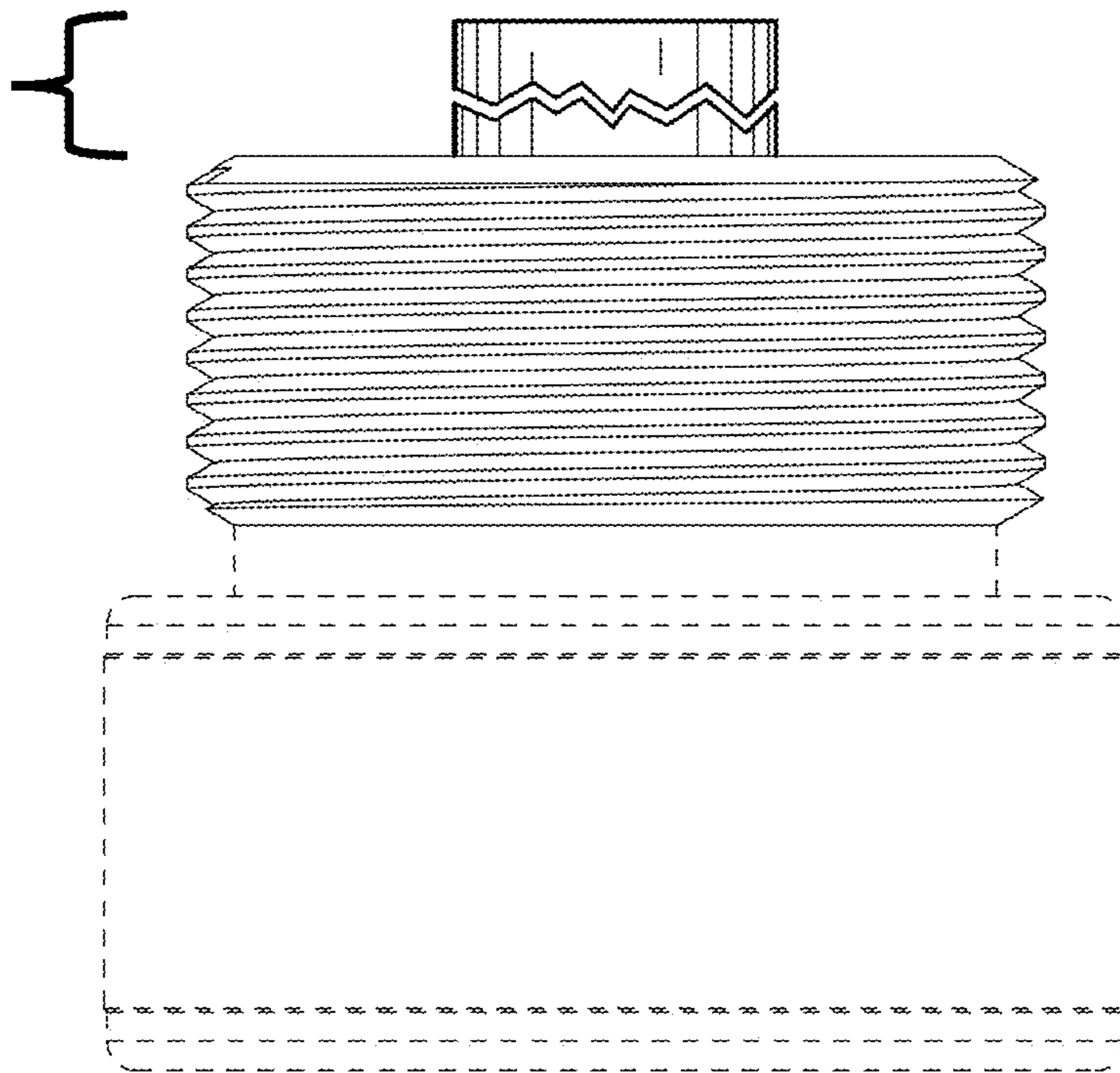


FIG. 11

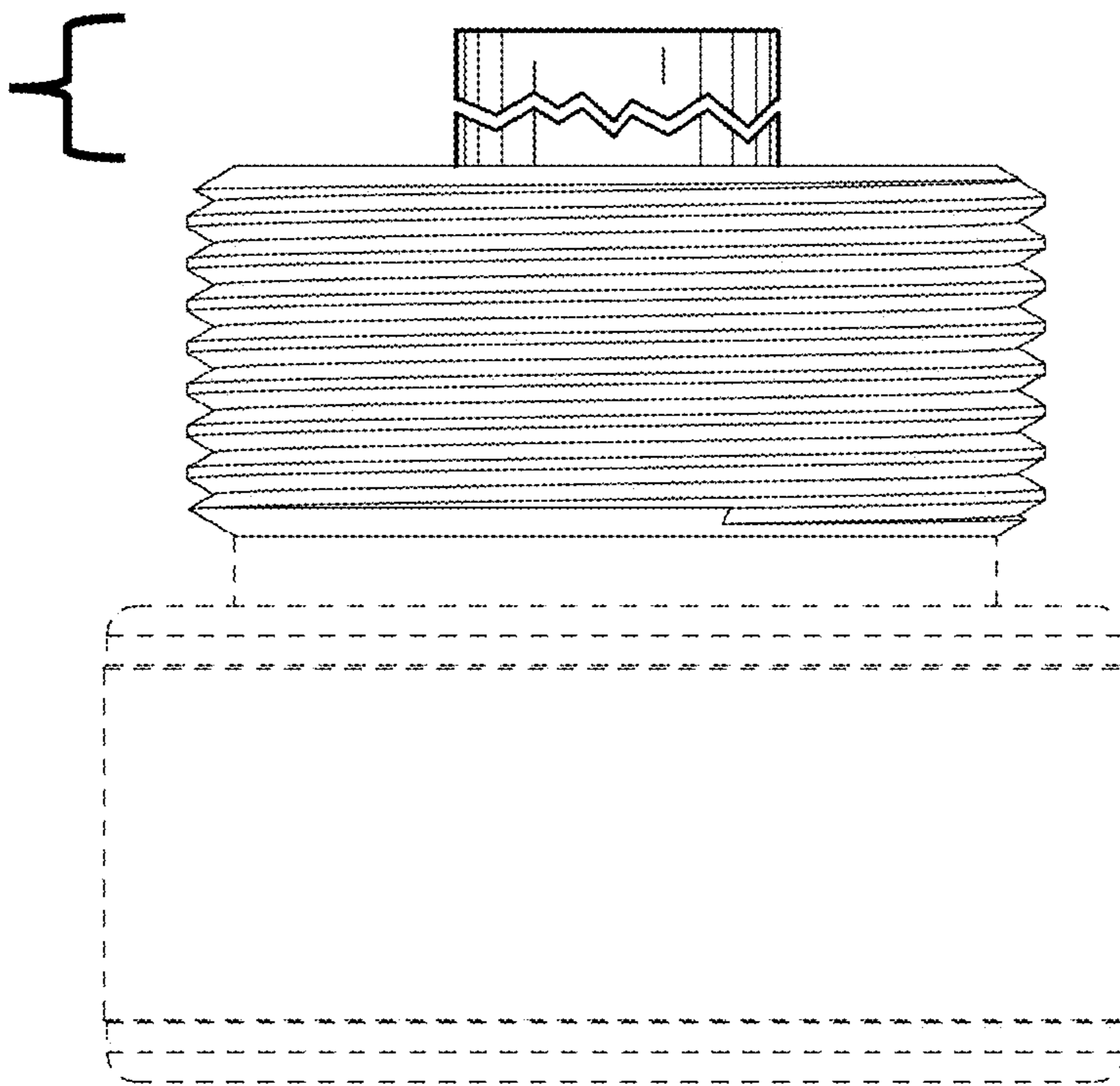


FIG. 12

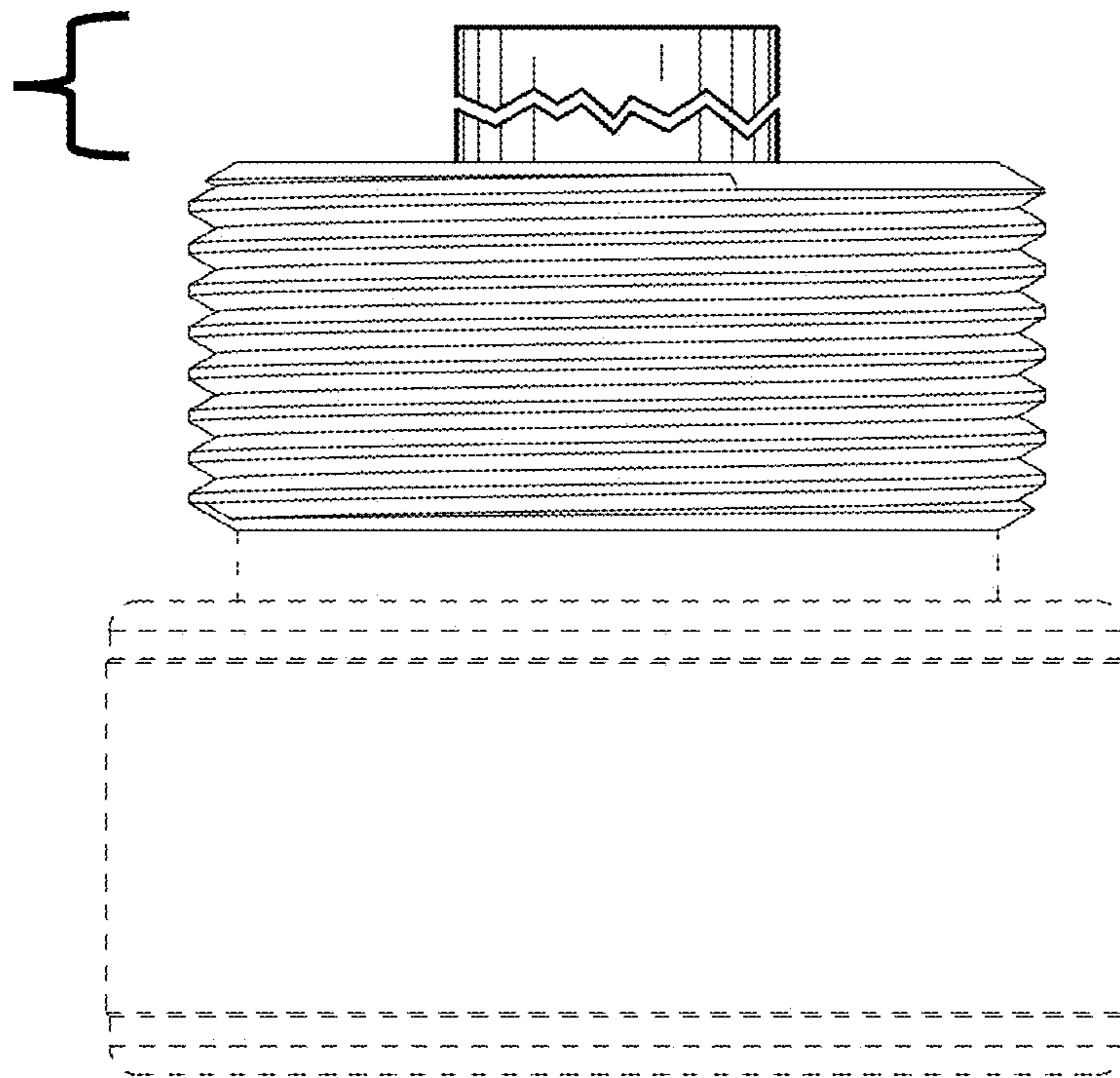


FIG. 13

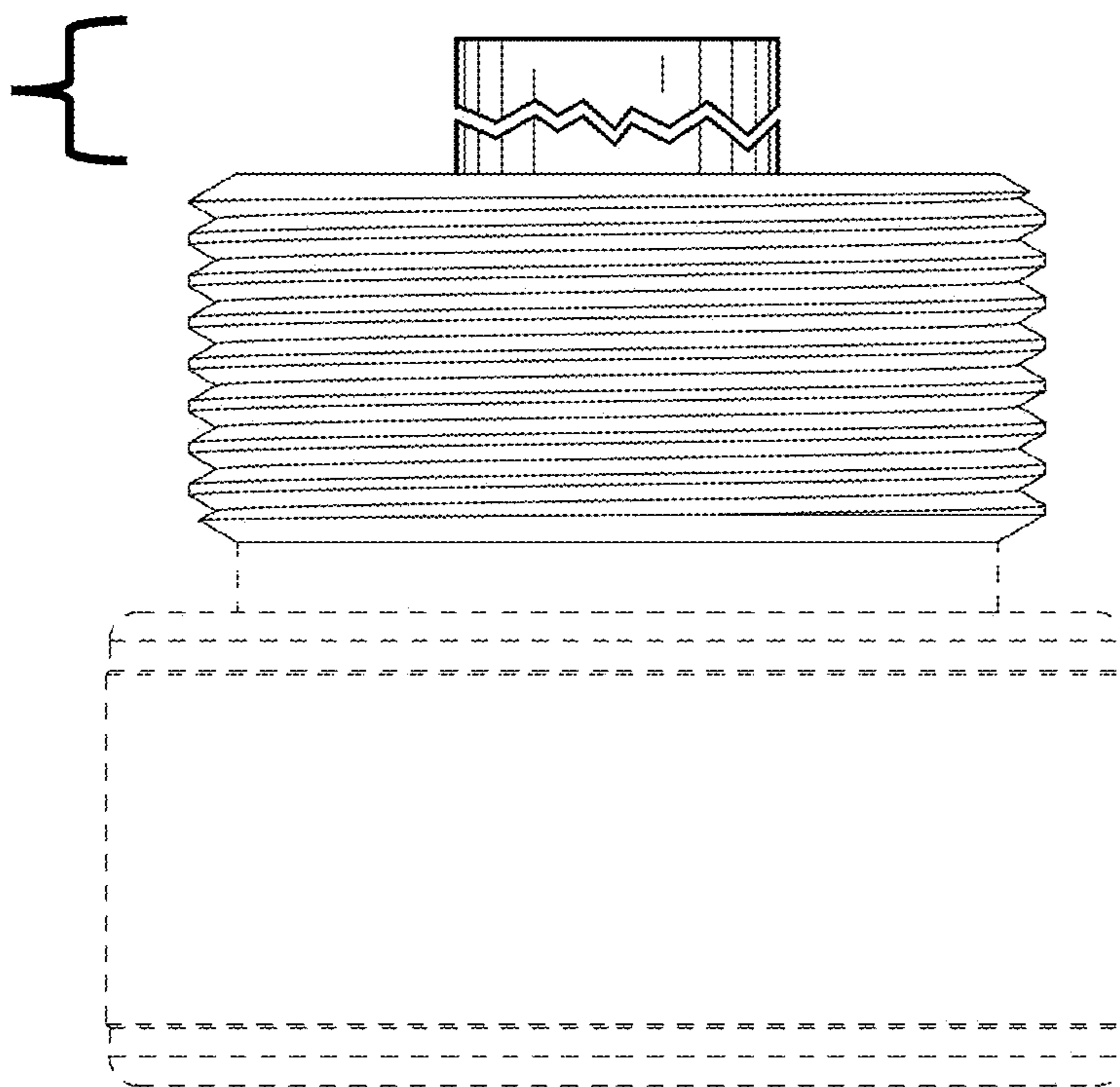


FIG. 14

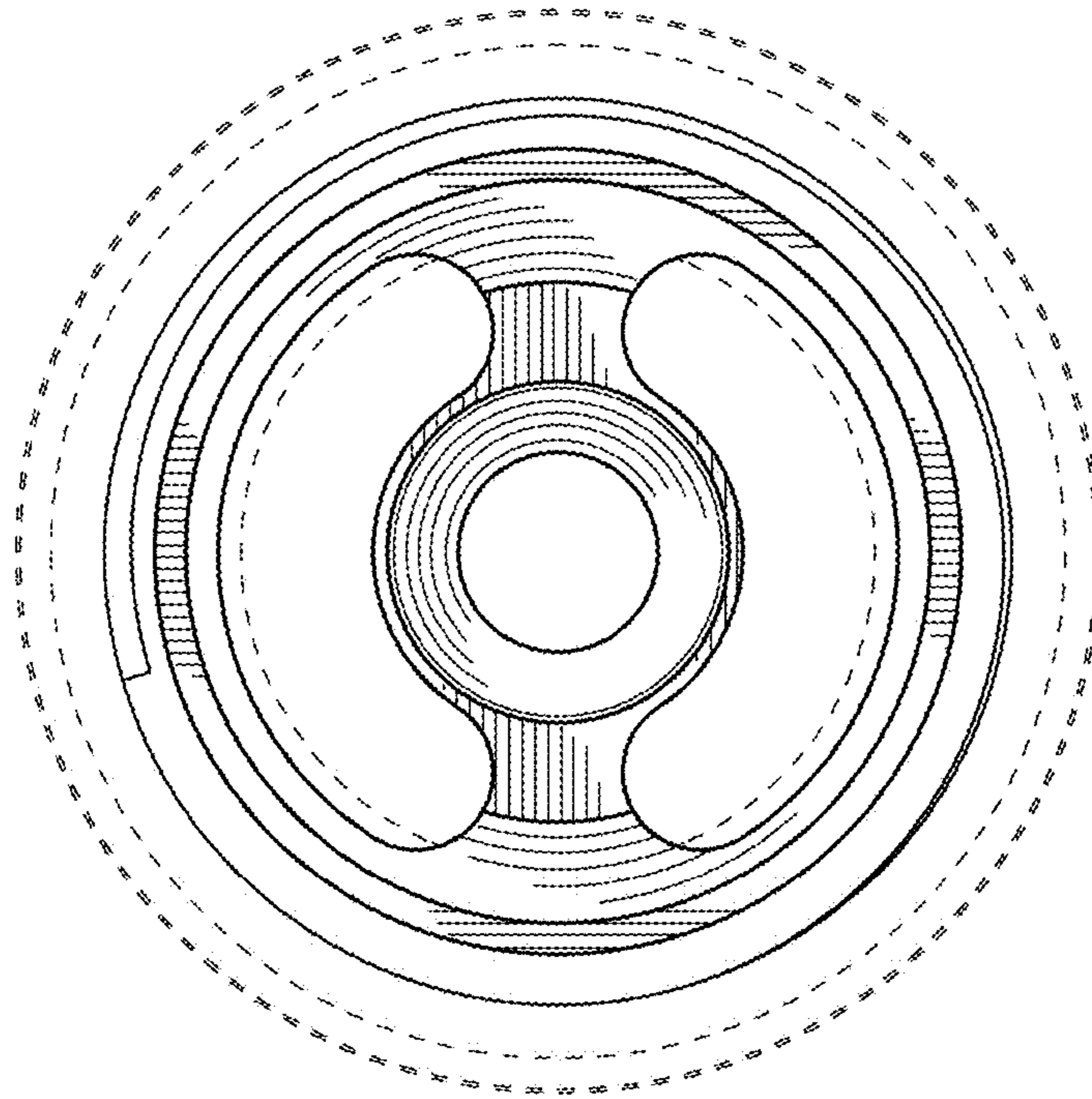


FIG. 15

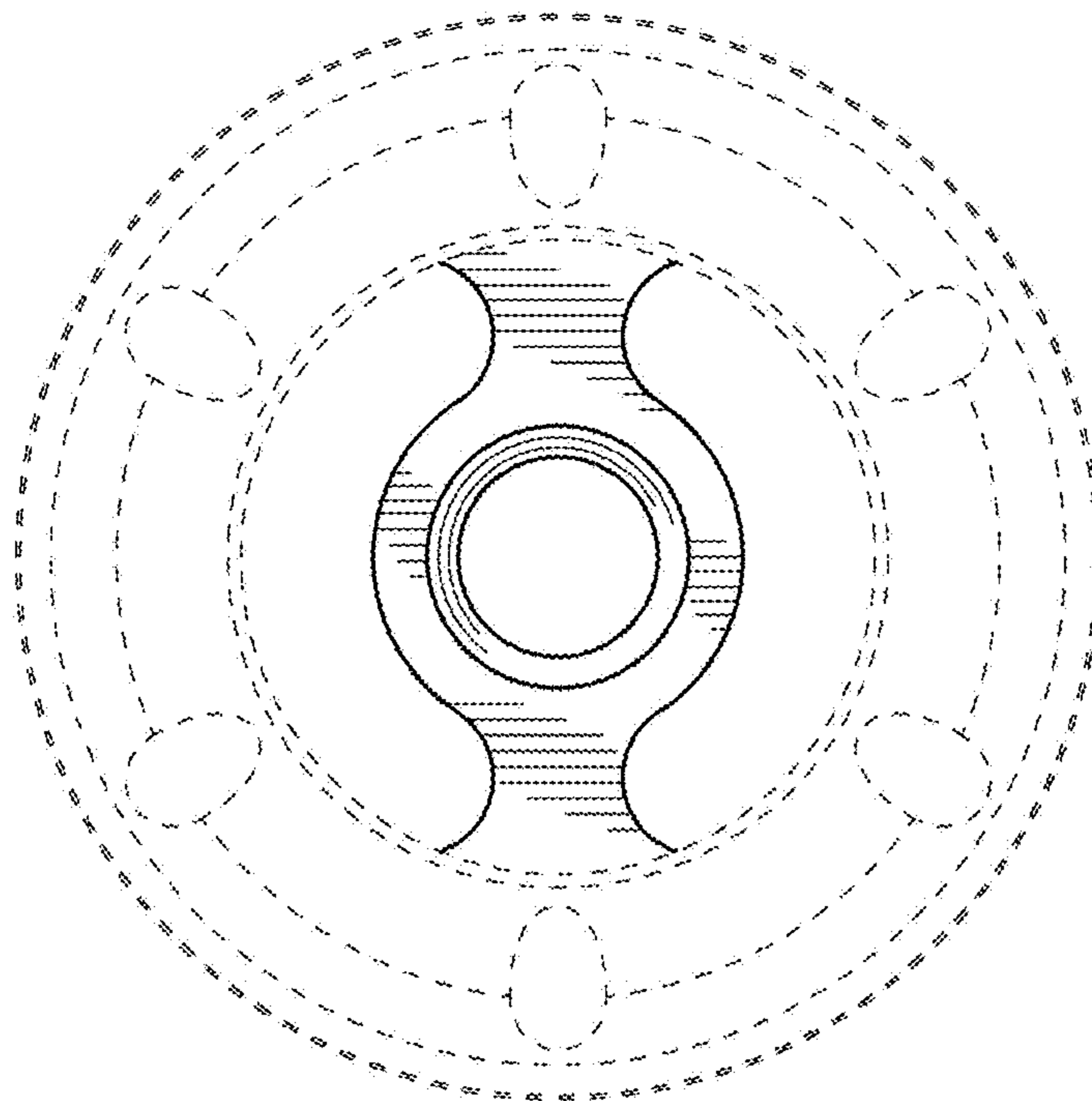


FIG. 16

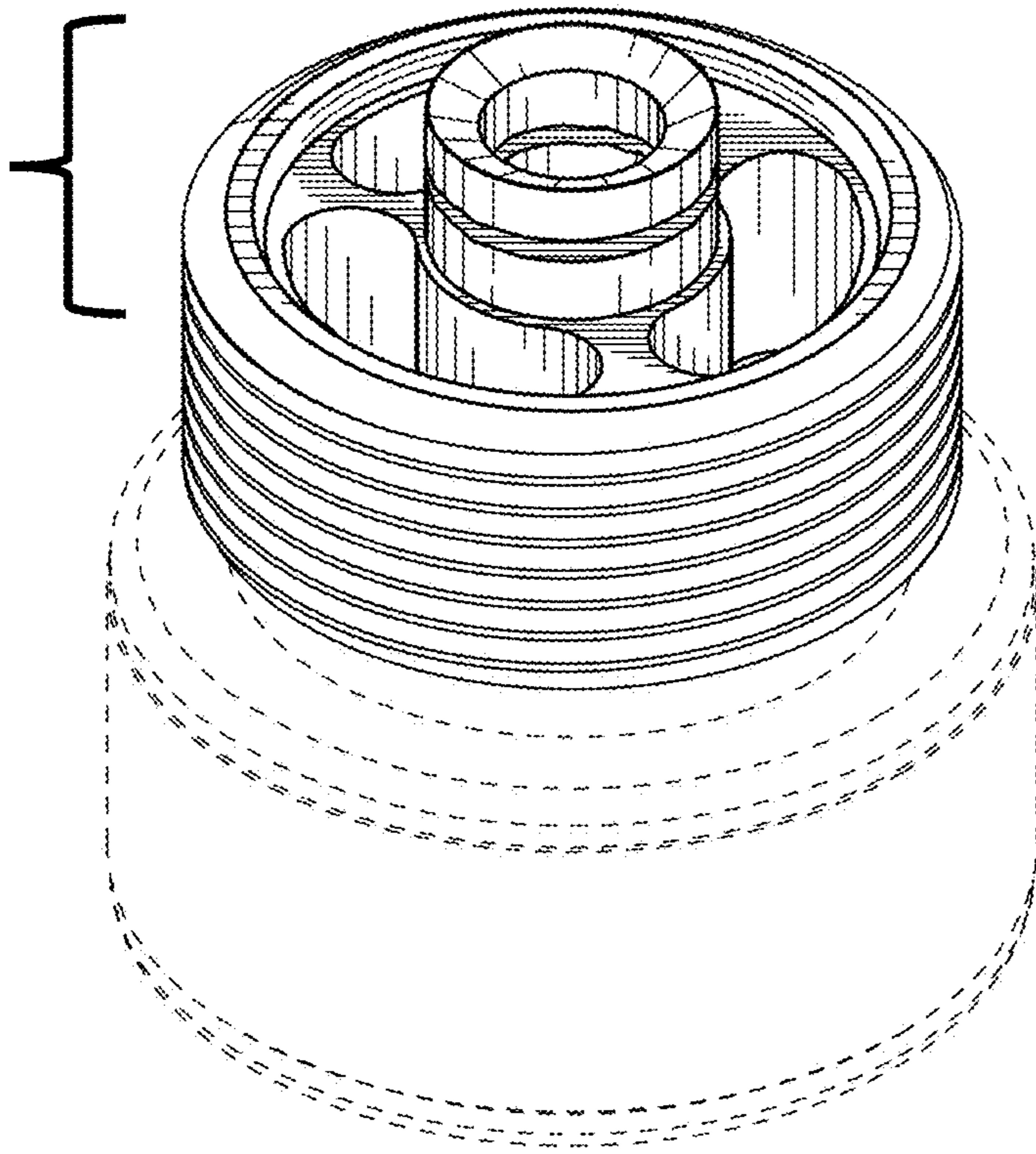


FIG.17

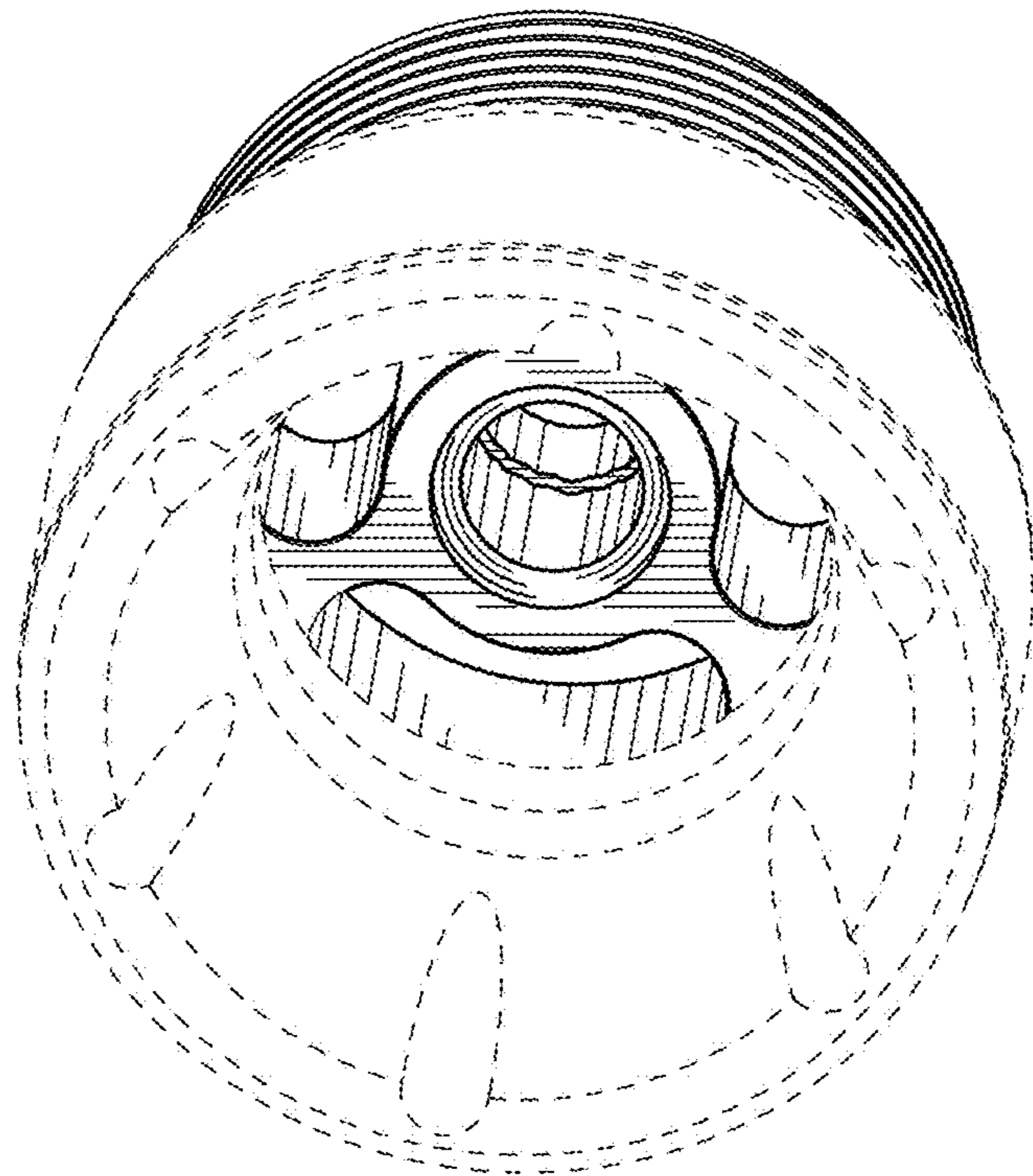


FIG.18

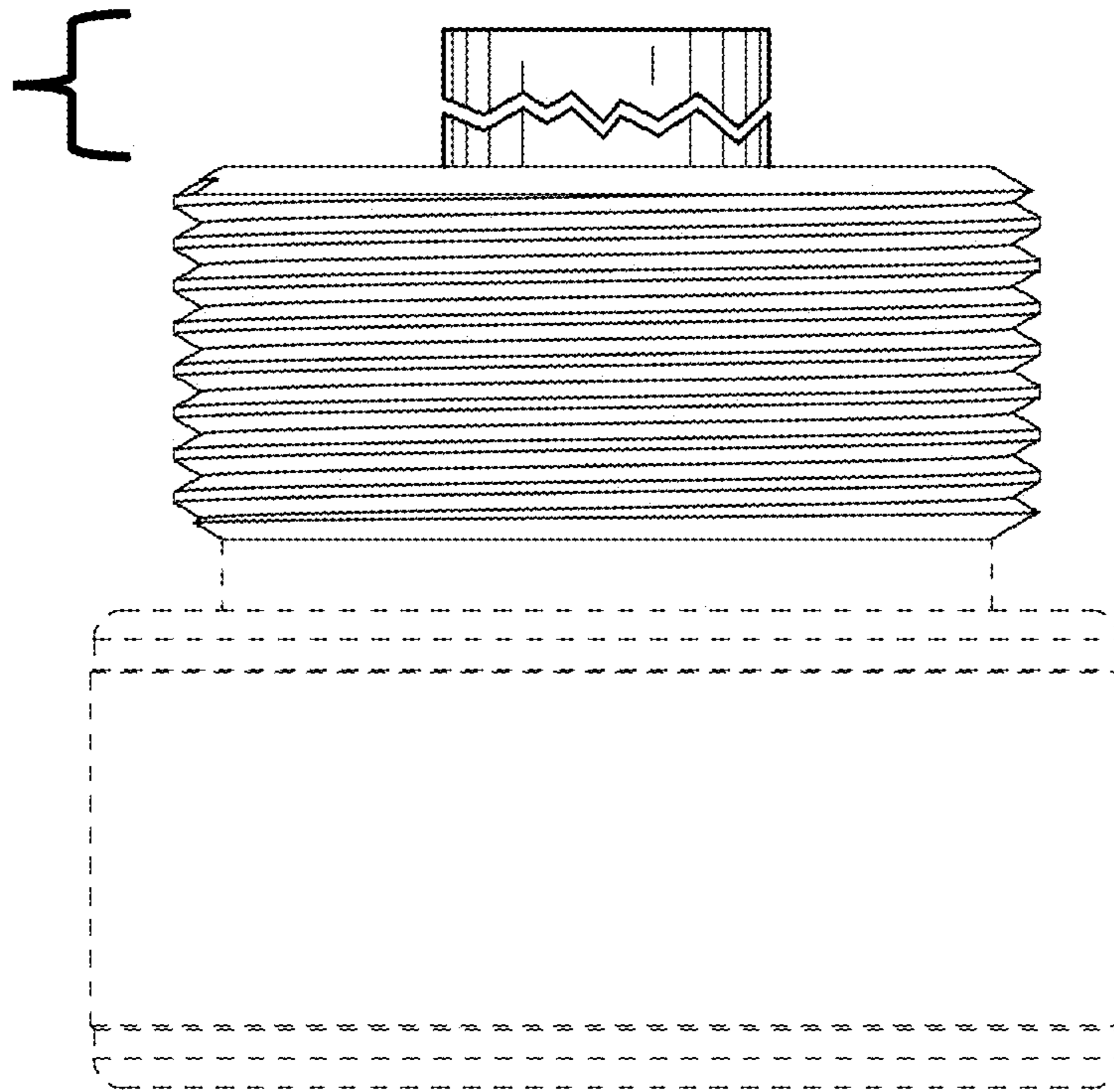


FIG. 19

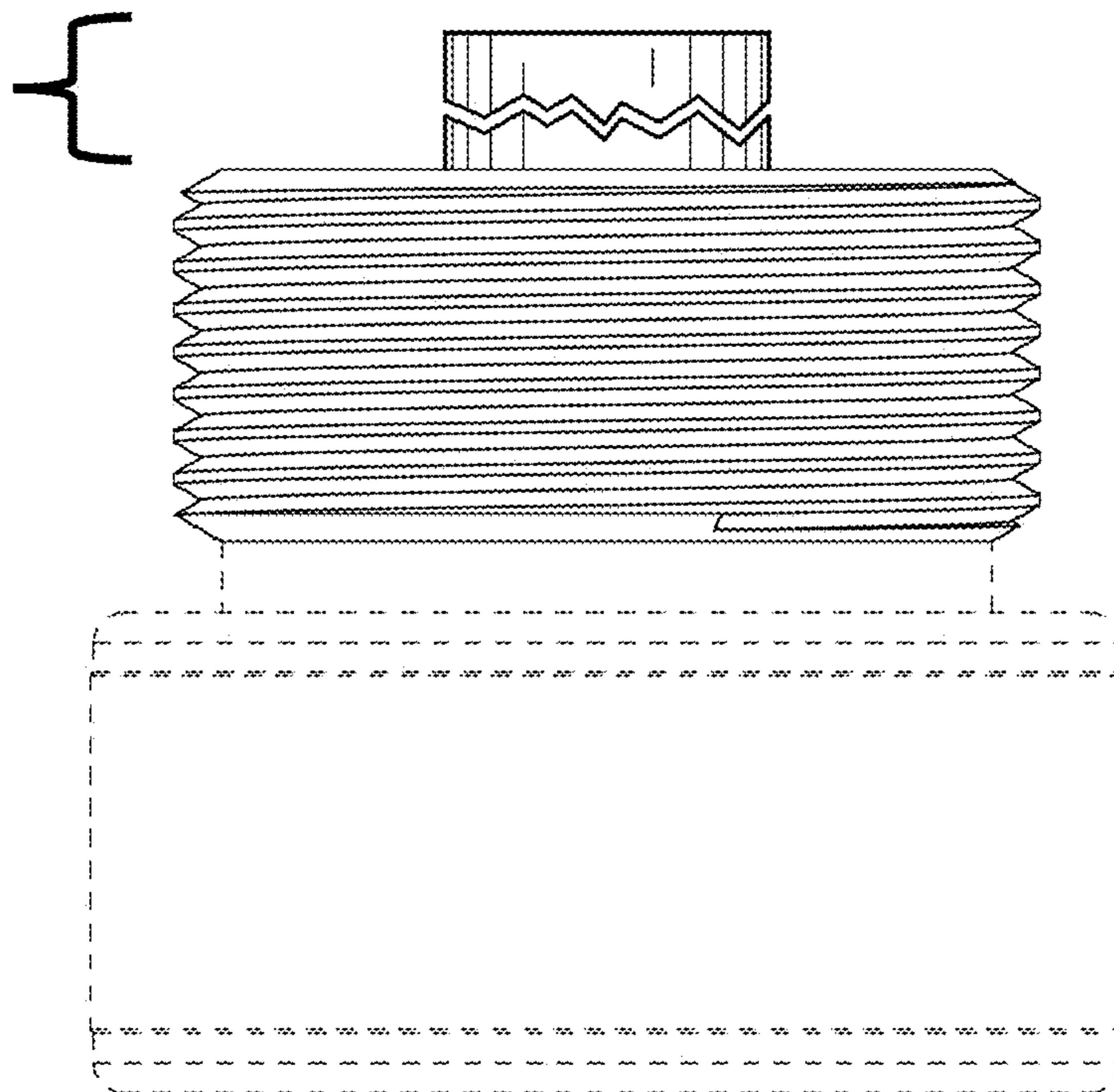


FIG. 20

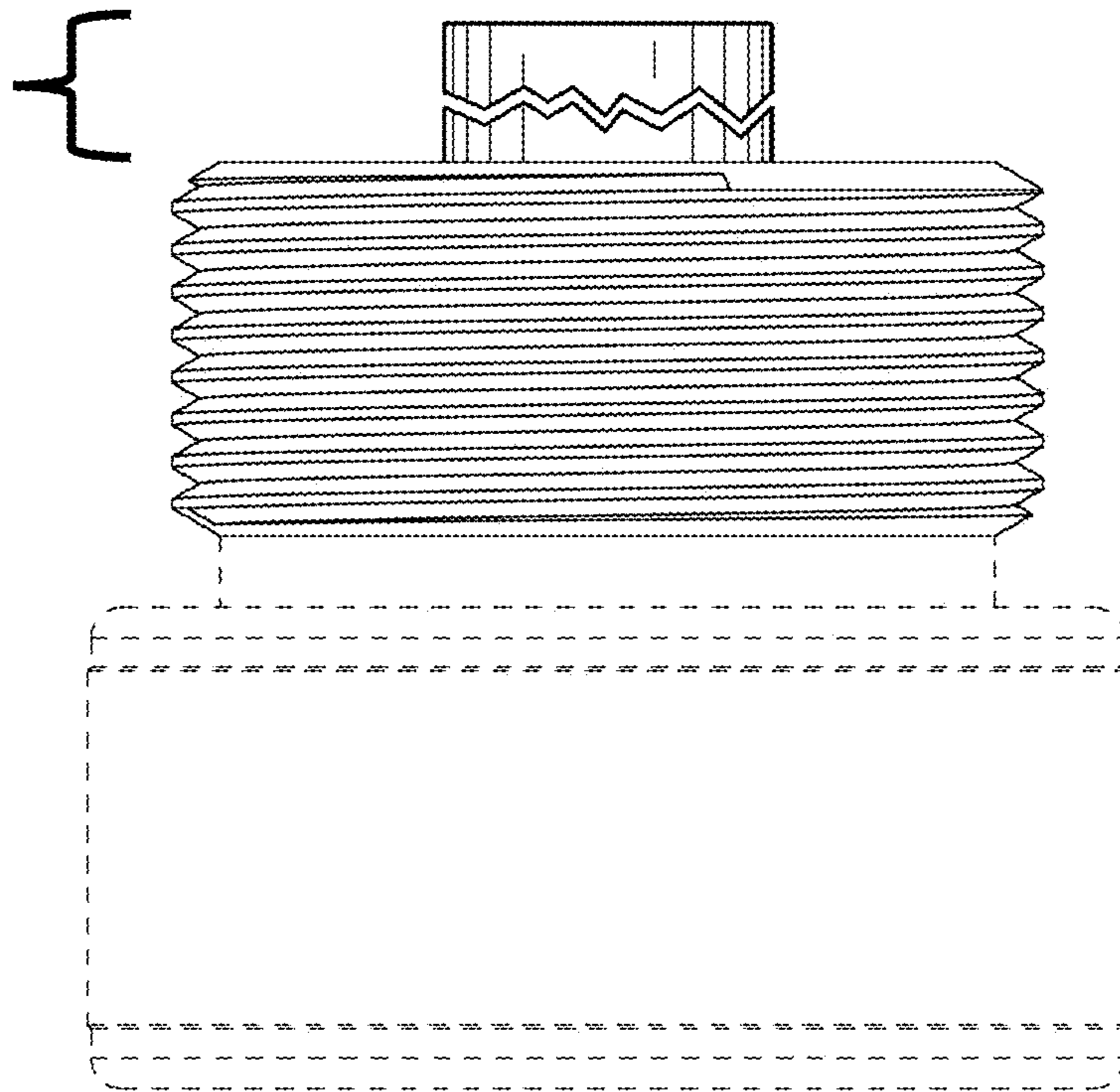


FIG. 21

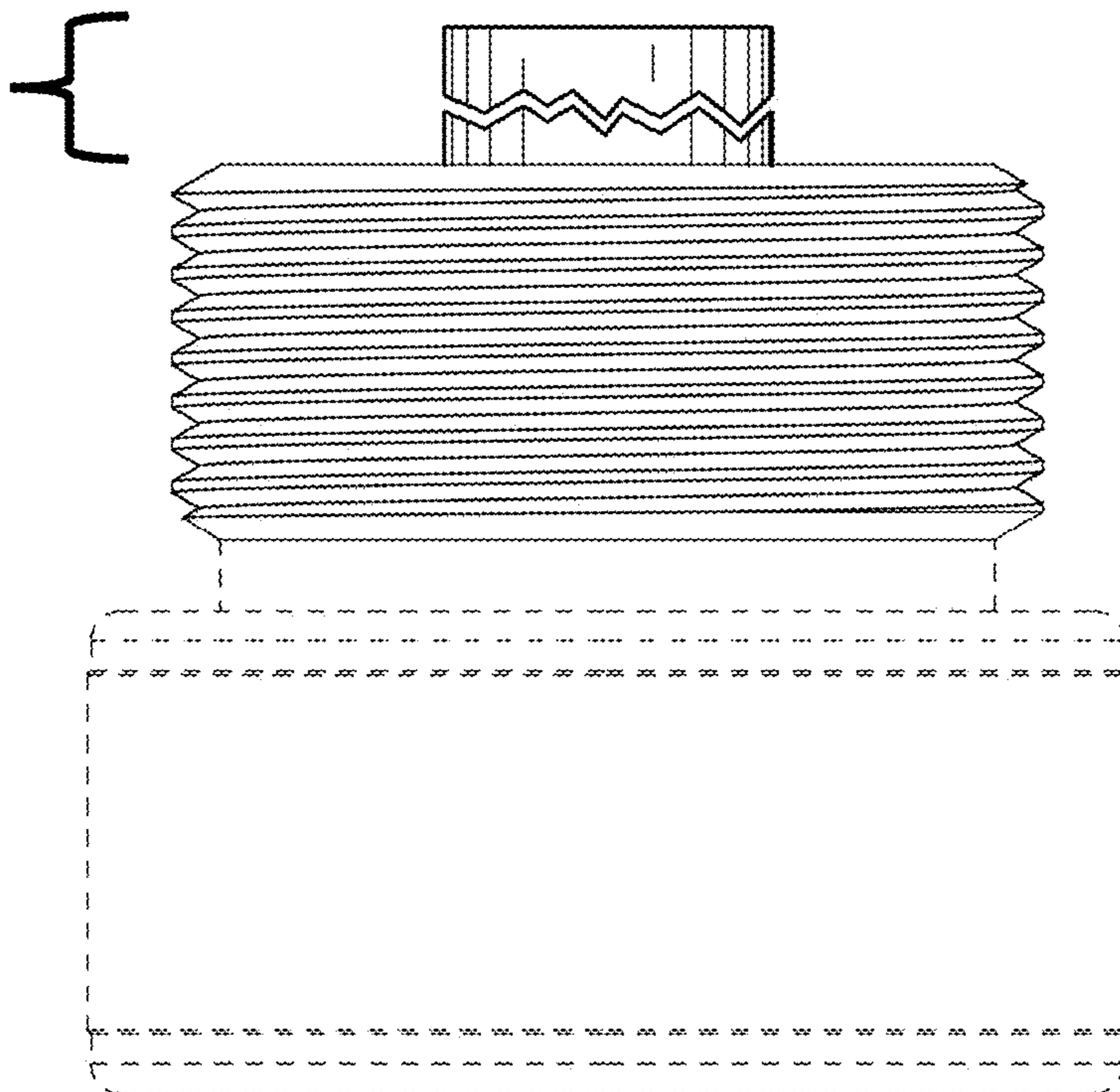


FIG. 22

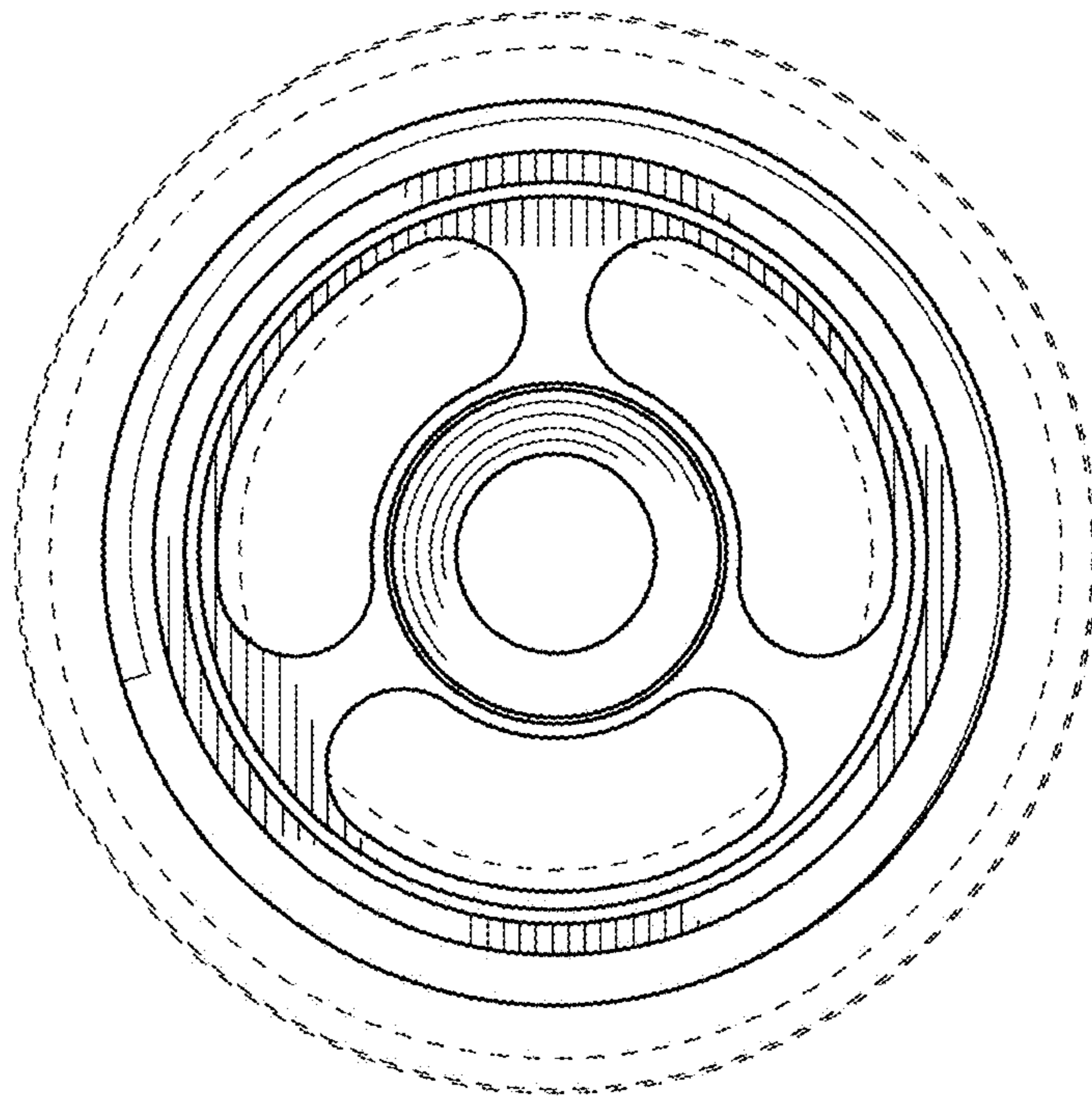


FIG. 23

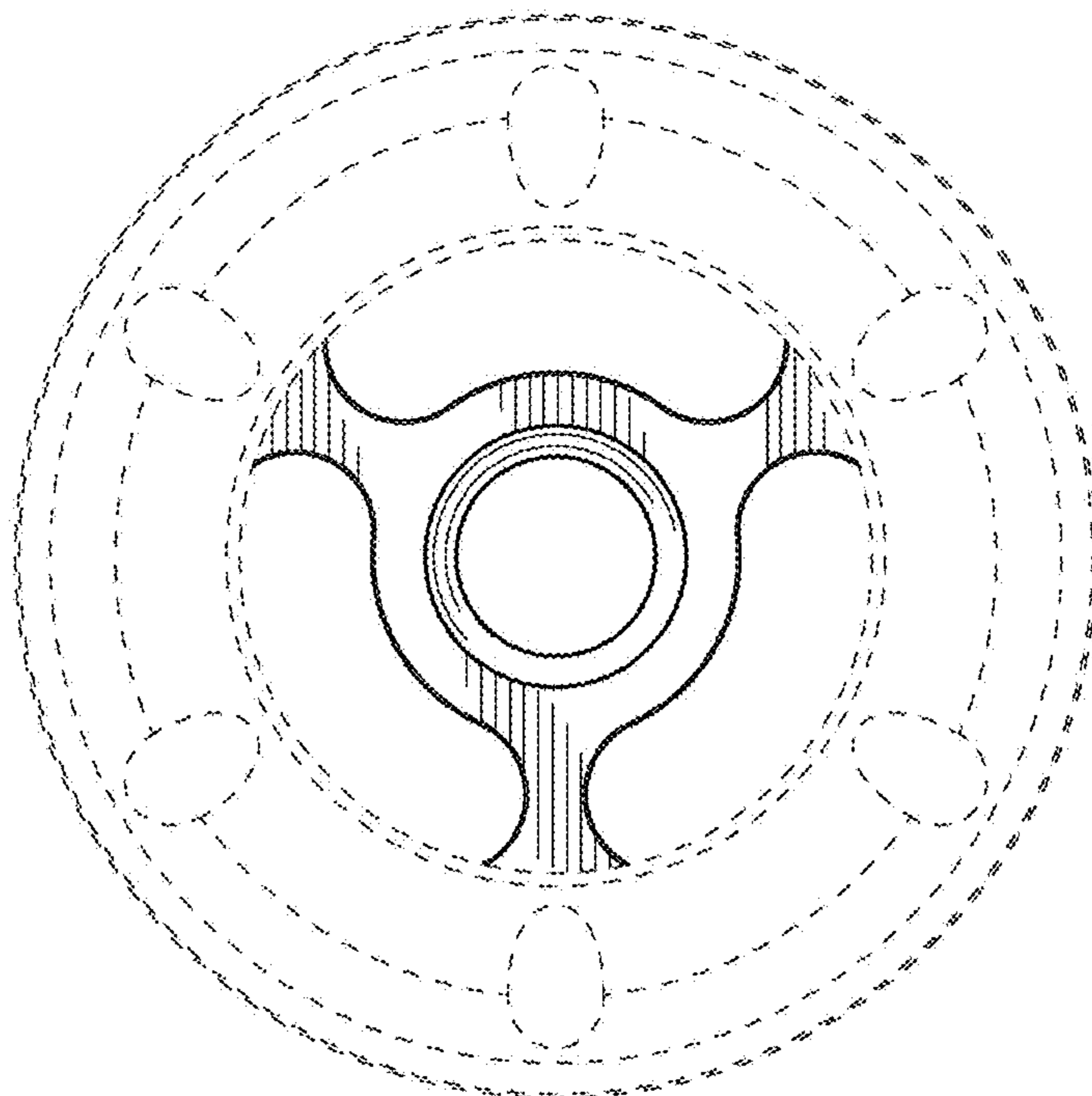


FIG. 24