



US00D947327S

(12) **United States Design Patent**  
**Lazarini**

(10) **Patent No.:** **US D947,327 S**

(45) **Date of Patent:** **\*\* \*Mar. 29, 2022**

(54) **FAUCET SPOUT**

(71) Applicant: **DELTA FAUCET COMPANY,**  
Indianapolis, IN (US)

(72) Inventor: **Alejandra Lazarini,** Carmel, IN (US)

(73) Assignee: **DELTA FAUCET COMPANY,**  
Indianapolis, IN (US)

(\*) Notice: This patent is subject to a terminal disclaimer.

(\*\*) Term: **15 Years**

(21) Appl. No.: **29/720,688**

(22) Filed: **Jan. 15, 2020**

(51) **LOC (13) Cl.** ..... **23-01**

(52) **U.S. Cl.**  
USPC ..... **D23/255**

(58) **Field of Classification Search**  
USPC ..... D23/238–244, 252, 254–255, 257  
CPC .... F16K 31/602; F16K 31/605; F16K 31/607;  
E03C 1/0412

See application file for complete search history.

(56) **References Cited**

**U.S. PATENT DOCUMENTS**

D708,709 S *	7/2014	Yu	.....	D23/238
D757,223 S *	5/2016	Schoenherr	.....	D23/238
D757,230 S *	5/2016	Schoenherr	.....	D23/255
D760,354 S *	6/2016	Citterio	.....	D23/238
D796,636 S *	9/2017	Downey	.....	D23/238
D796,643 S *	9/2017	Downey	.....	D23/255
D805,163 S *	12/2017	Schoenherr	.....	D23/238
D809,103 S *	1/2018	Schoenherr	.....	D23/238
D823,434 S *	7/2018	Downey	.....	D23/238
D828,503 S *	9/2018	Schoenherr	.....	D23/238
D828,512 S *	9/2018	Liu	.....	D23/238
D841,129 S *	2/2019	Garland	.....	D23/238

D841,778 S *	2/2019	Ando	.....	D23/238
10,329,747 B2 *	6/2019	Lu	.....	E03C 1/0402
D857,168 S *	8/2019	Soulier	.....	D23/238
D859,585 S *	9/2019	Seum	.....	D23/238
2016/0376775 A1 *	12/2016	Tasserit	.....	F16K 27/00 137/801

**FOREIGN PATENT DOCUMENTS**

CN 304246355 \* 7/2017

**OTHER PUBLICATIONS**

ENZO RODI Brushed Nickel Bathroom Faucet, first available Feb. 12, 2019[online], [site visited Mar. 11, 2021]. Available from internet, URL:<https://www.amazon.com/ENZO-RODI-Bathroom-Assembly-ERF1393427AP-10/dp/B07NNT6WKY> (Year: 2019).\*  
Mid height bathroom faucet, announced Date unavailable[online], [site visited Mar. 11, 2021]. Available from internet, URL:<https://www.deltafaucet.com/bathroom/product/643-KS-DST (Year: 2021).\*

\* cited by examiner

*Primary Examiner* — Barbara Fox

*Assistant Examiner* — Jamaal Rasheed

(74) *Attorney, Agent, or Firm* — Nirav D. Parikh; Edgar A. Zarins

(57) **CLAIM**

The ornamental design for a faucet spout, as shown and described.

**DESCRIPTION**

FIG. 1 is a front perspective view of a faucet spout showing my new design;

FIG. 2 is a rear perspective view thereof;

FIG. 3 is a front elevational view thereof;

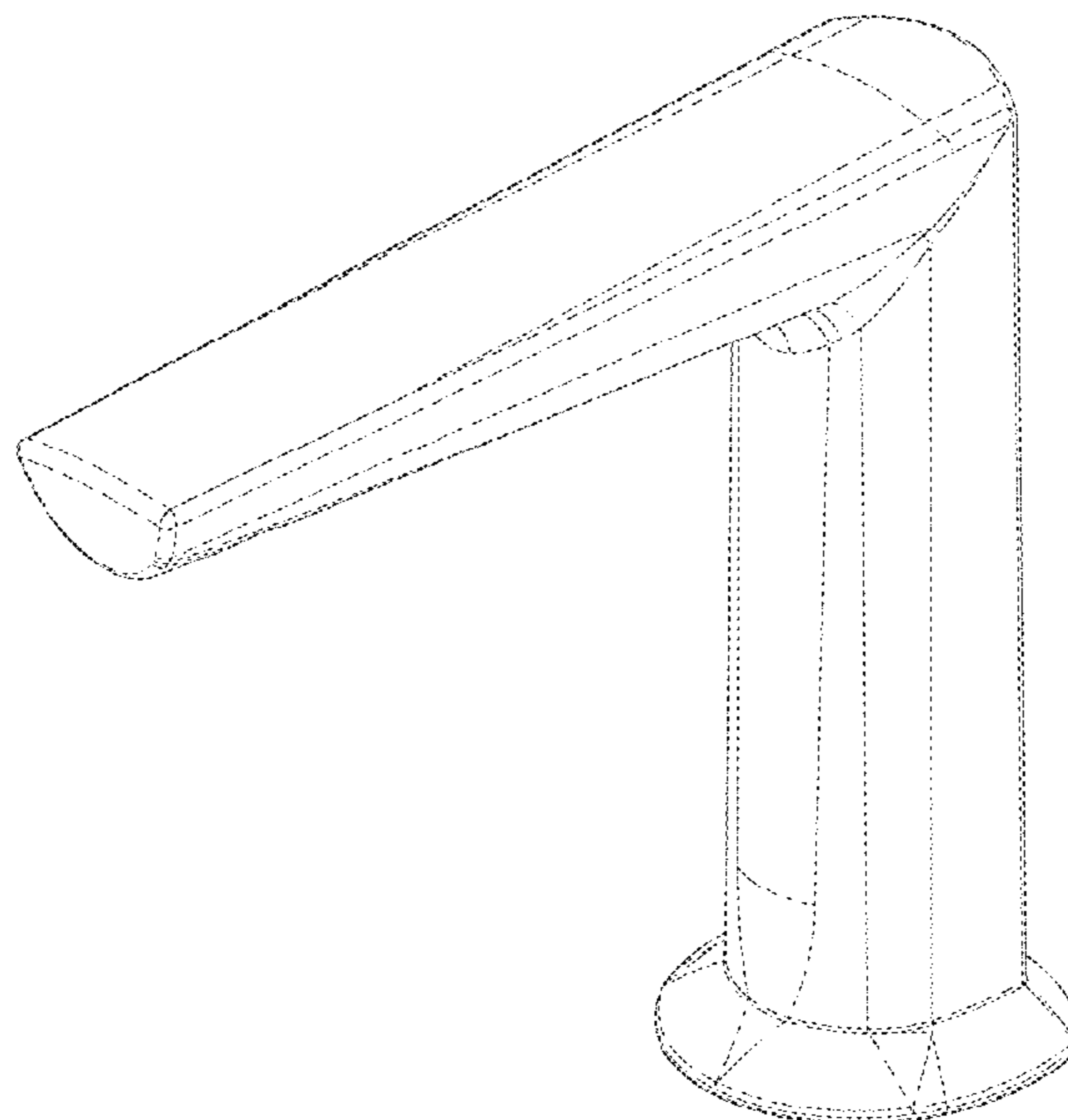
FIG. 4 is a left side view thereof;

FIG. 5 is a rear view thereof;

FIG. 6 is a right side view thereof; and,

FIG. 7 is a top plan view thereof.

**1 Claim, 4 Drawing Sheets**



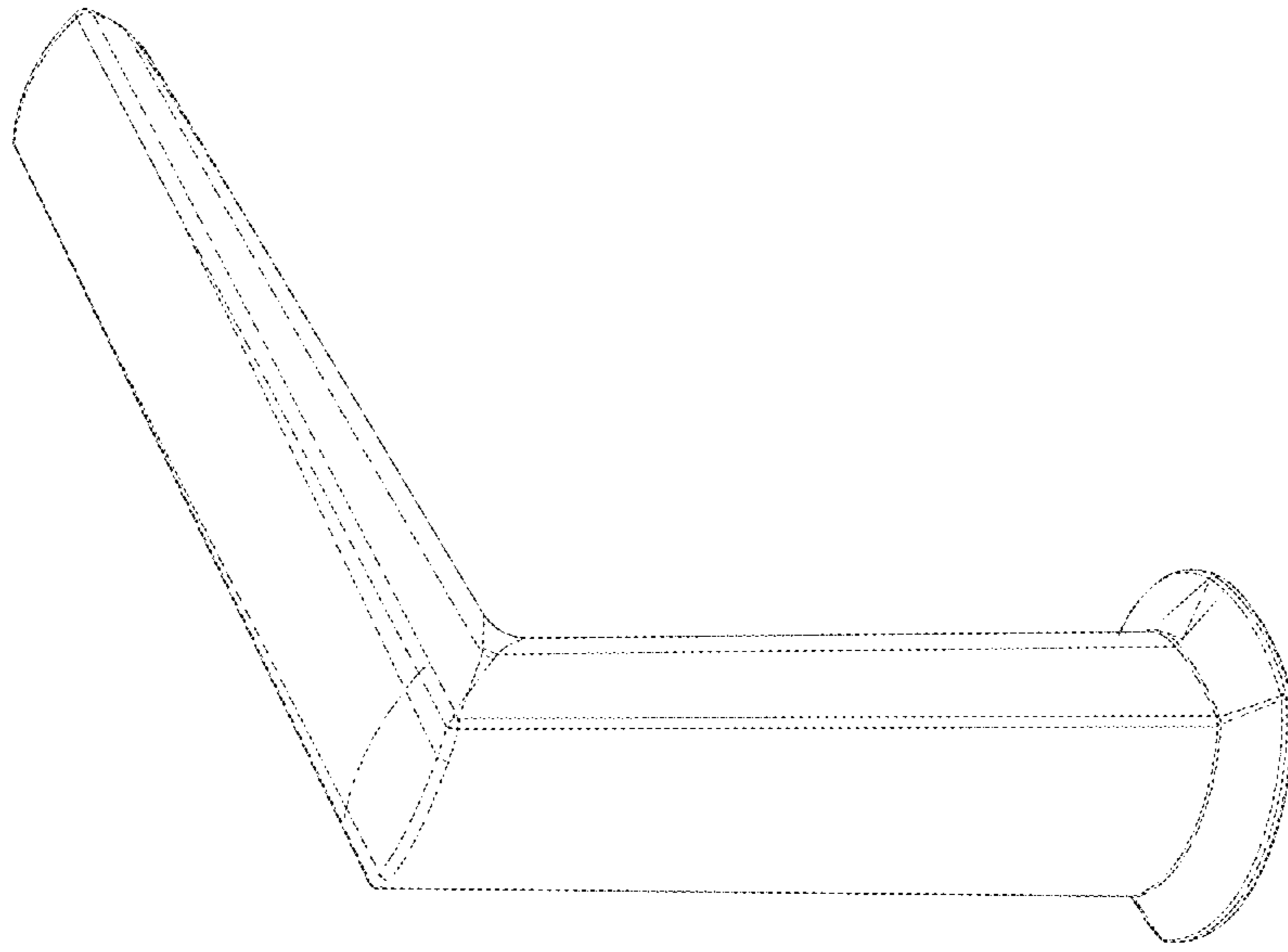


FIG - 2

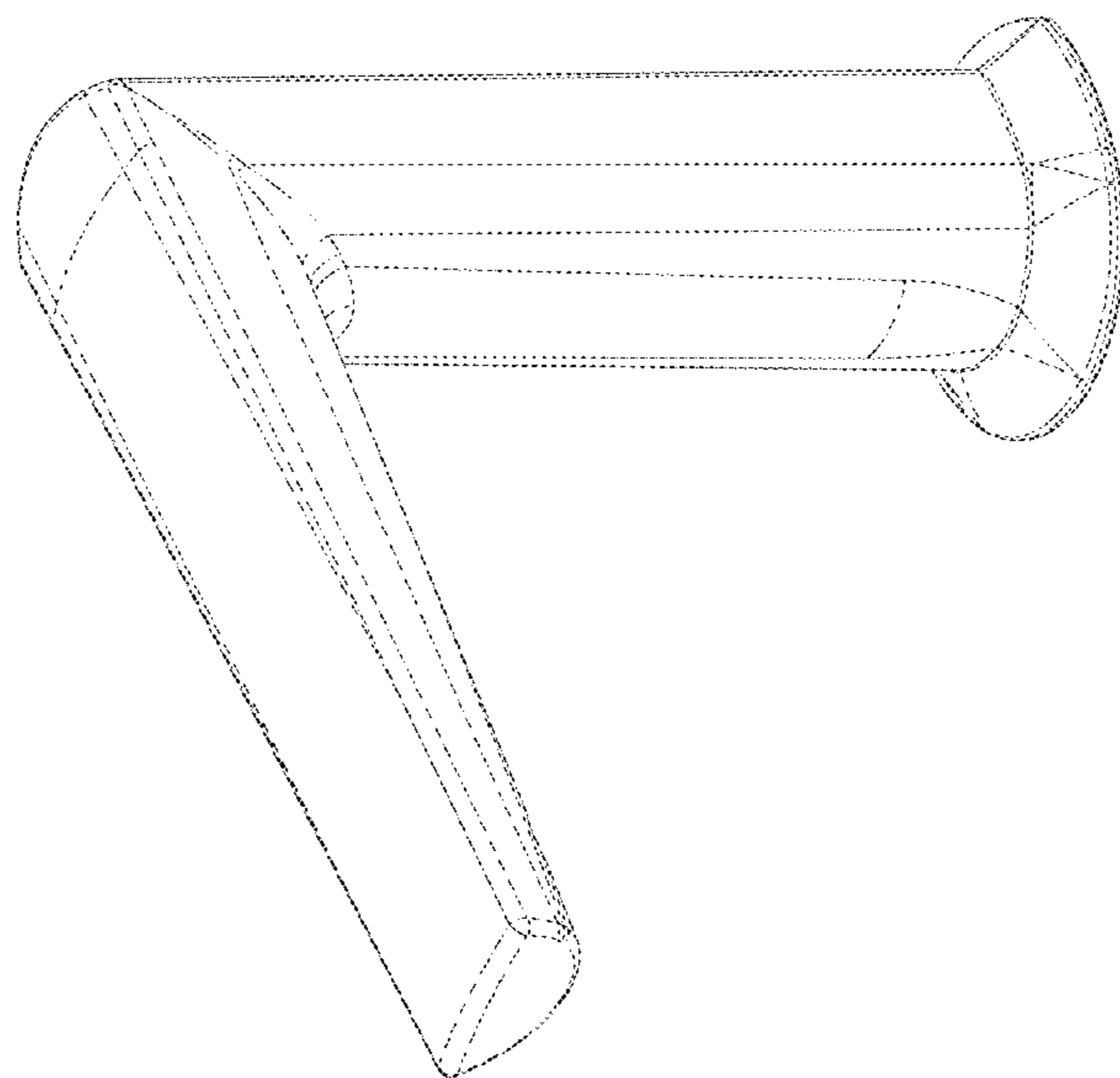


FIG - 1

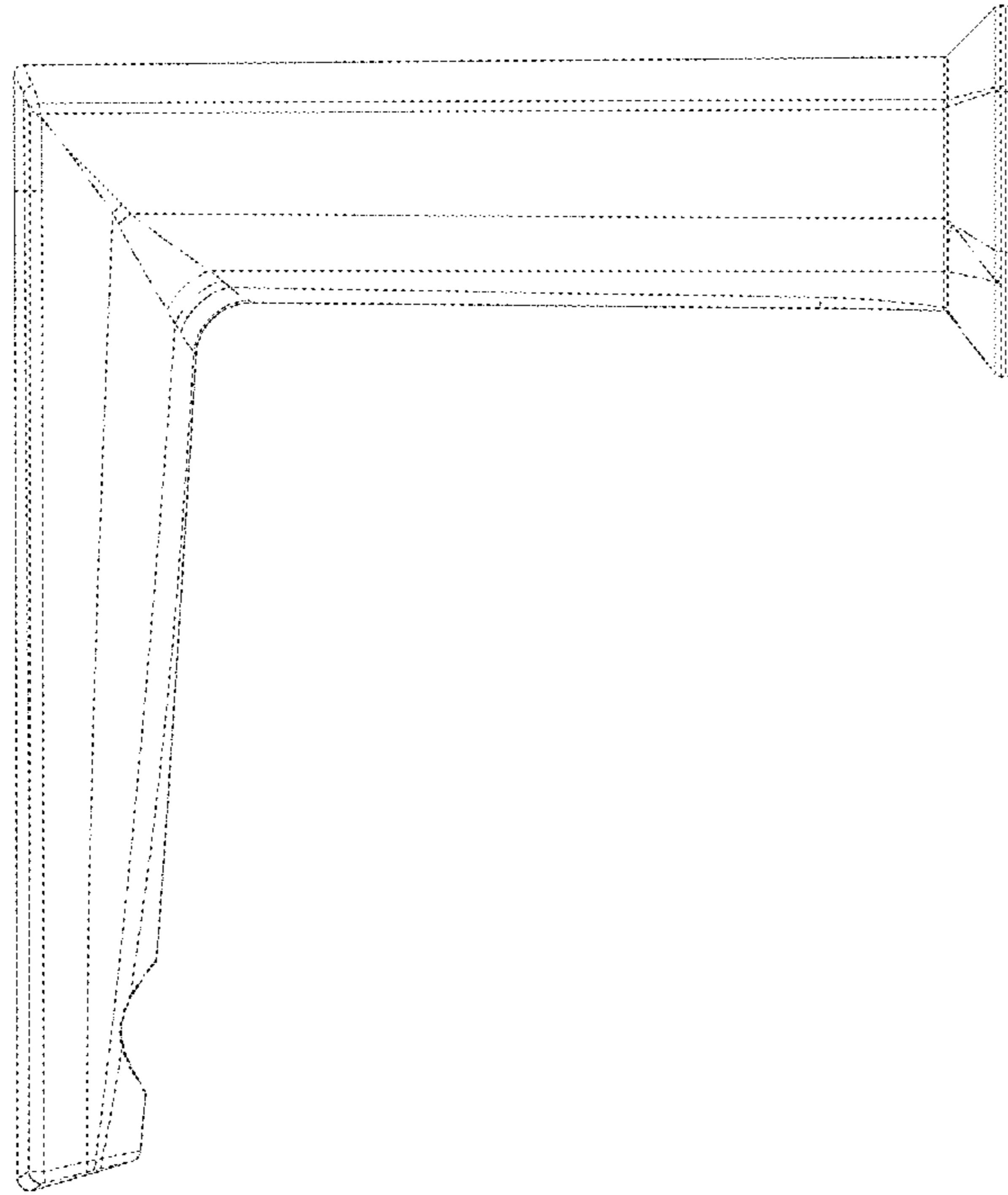


FIG - 4

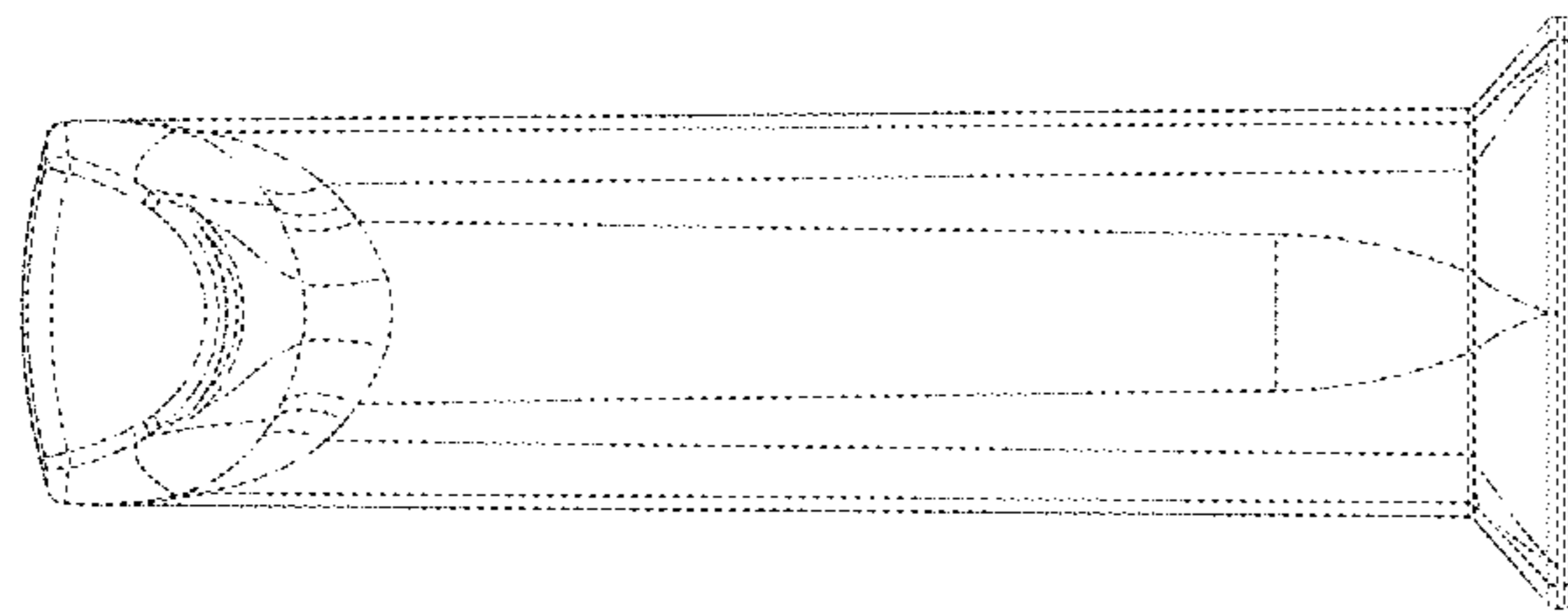


FIG - 3

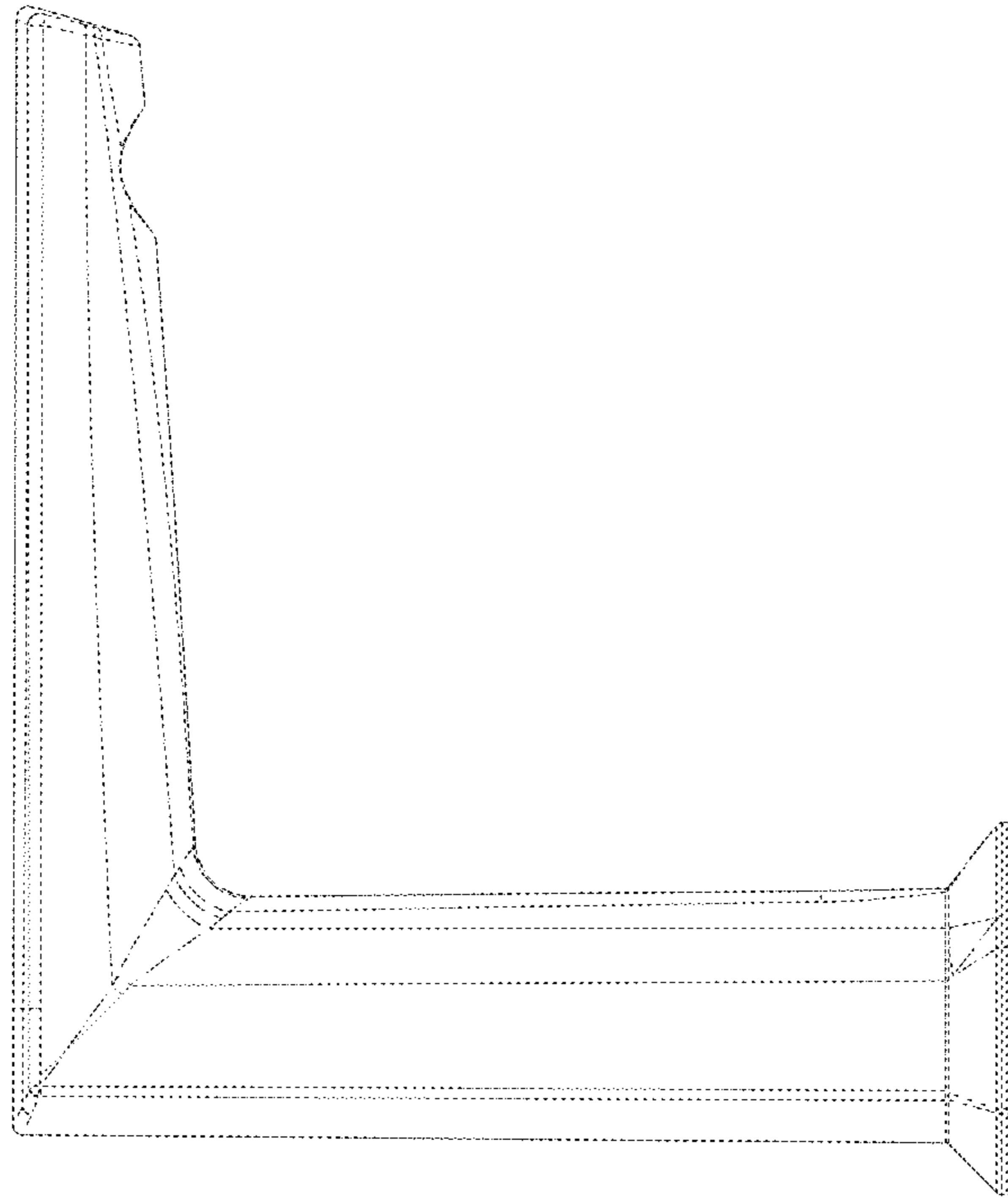


FIG. 6

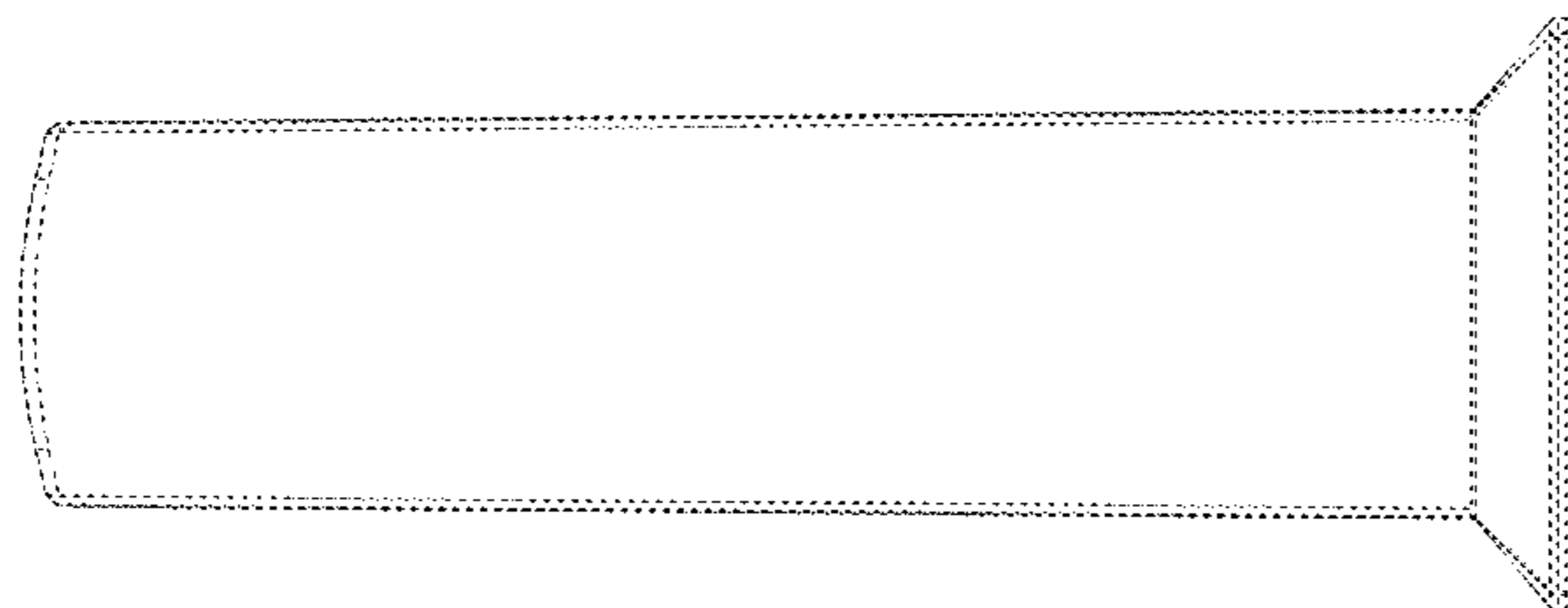


FIG. 5

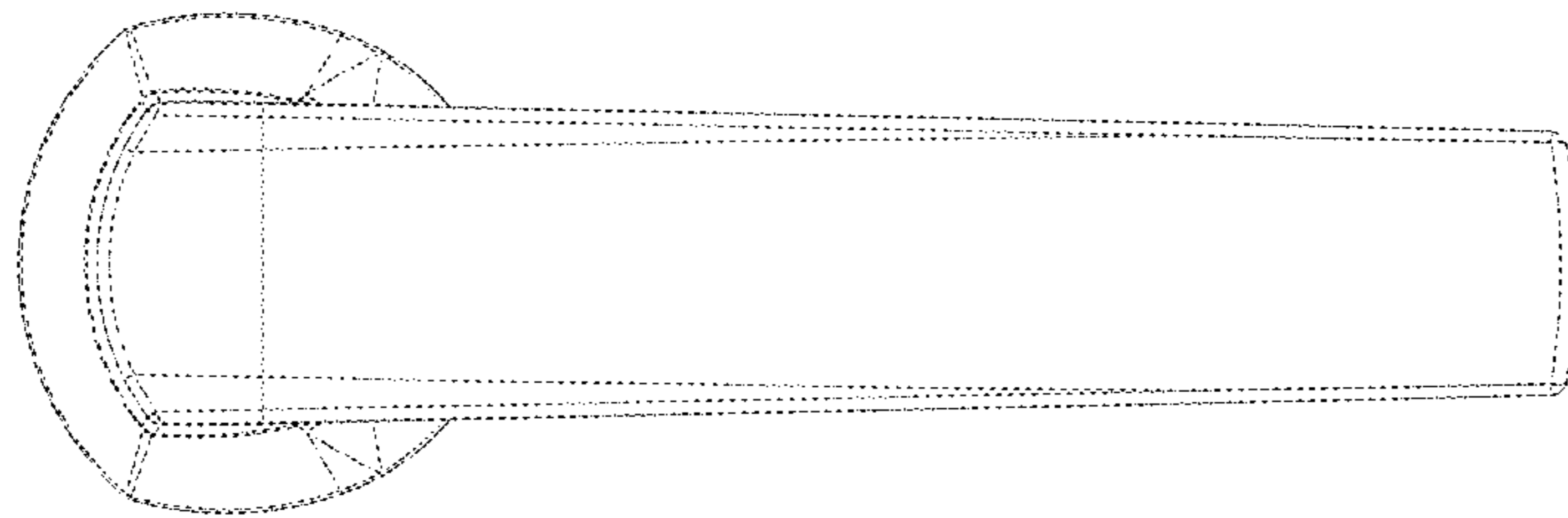


FIG - 7