



US00D947326S

(12) **United States Design Patent**  
**Upadhyaya**

(10) **Patent No.:** **US D947,326 S**

(45) **Date of Patent:** **\*\* Mar. 29, 2022**

(54) **FAUCET HANDLE**

D703,793 S \* 4/2014 Georgeson ..... D23/252  
D839,390 S \* 1/2019 Eads ..... D23/242  
D933,783 S \* 10/2021 Miller ..... D23/242

(71) Applicant: **DELTA FAUCET COMPANY,**  
Indianapolis, IN (US)

\* cited by examiner

(72) Inventor: **Alexandra Upadhyaya,** Midlothian, VA  
(US)

*Primary Examiner* — Robert A Delehanty

(73) Assignee: **DELTA FAUCET COMPANY,**  
Indianapolis, IN (US)

(74) *Attorney, Agent, or Firm* — Nirav D. Parikh; Edgar  
A. Zarins

(\*\*) Term: **15 Years**

(57) **CLAIM**

(21) Appl. No.: **29/753,353**

The ornamental design for a faucet handle, as shown and  
described.

(22) Filed: **Sep. 30, 2020**

**DESCRIPTION**

(51) **LOC (13) Cl.** ..... **23-01**

(52) **U.S. Cl.**  
USPC ..... **D23/252**

(58) **Field of Classification Search**  
USPC ..... D23/241–243, 252, 254; D8/307–308  
See application file for complete search history.

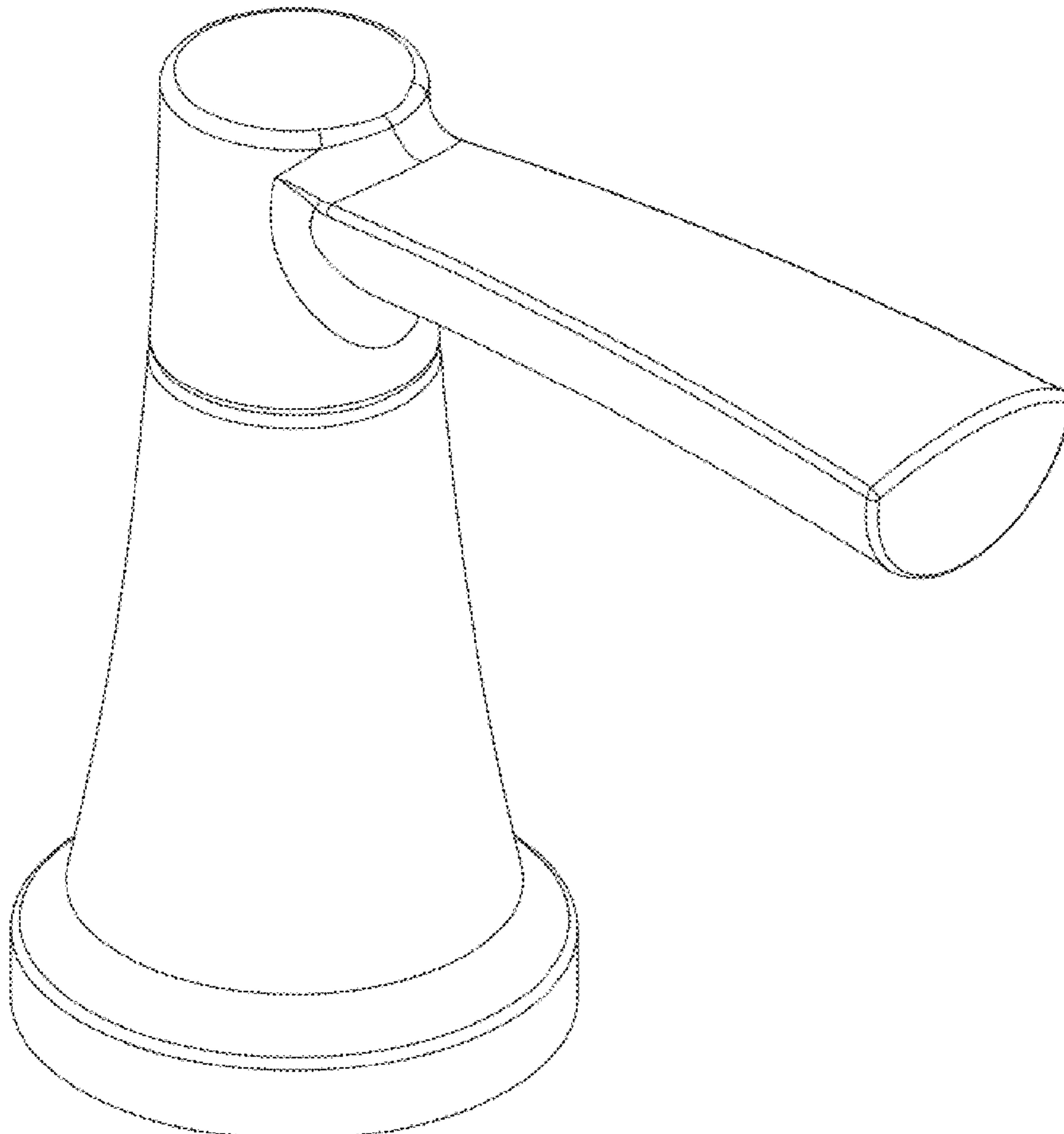
FIG. 1 is a front perspective view of a faucet handle showing  
my new design;  
FIG. 2 is a rear perspective view thereof;  
FIG. 3 is a front elevational view thereof;  
FIG. 4 is a left side view thereof;  
FIG. 5 is a rear view thereof;  
FIG. 6 is a right side view thereof;  
FIG. 7 is a top plan view thereof; and,  
FIG. 8 is a bottom view thereof.

(56) **References Cited**

**U.S. PATENT DOCUMENTS**

D532,085 S \* 11/2006 Svendsen ..... D23/241

**1 Claim, 4 Drawing Sheets**



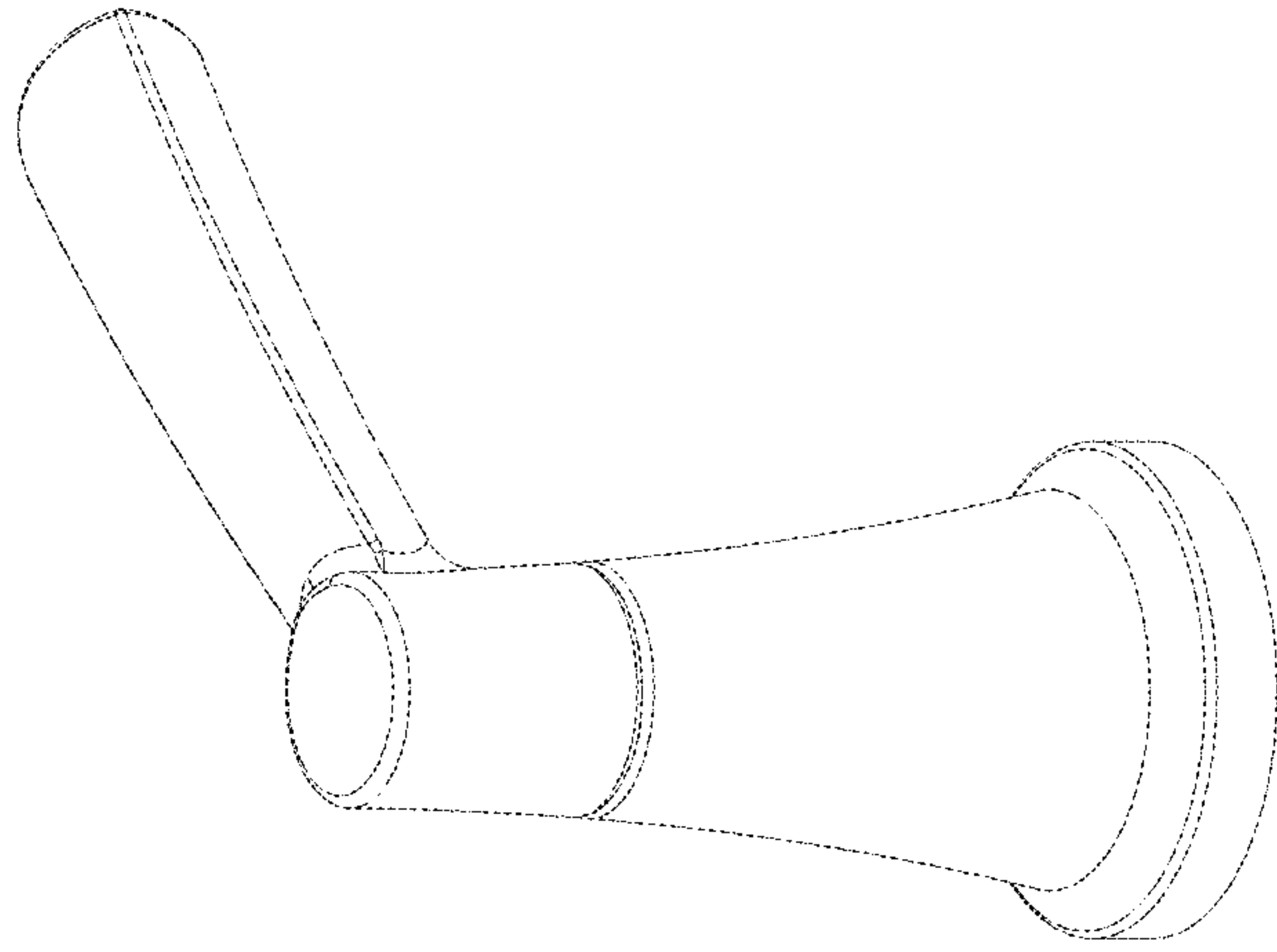


FIG - 2

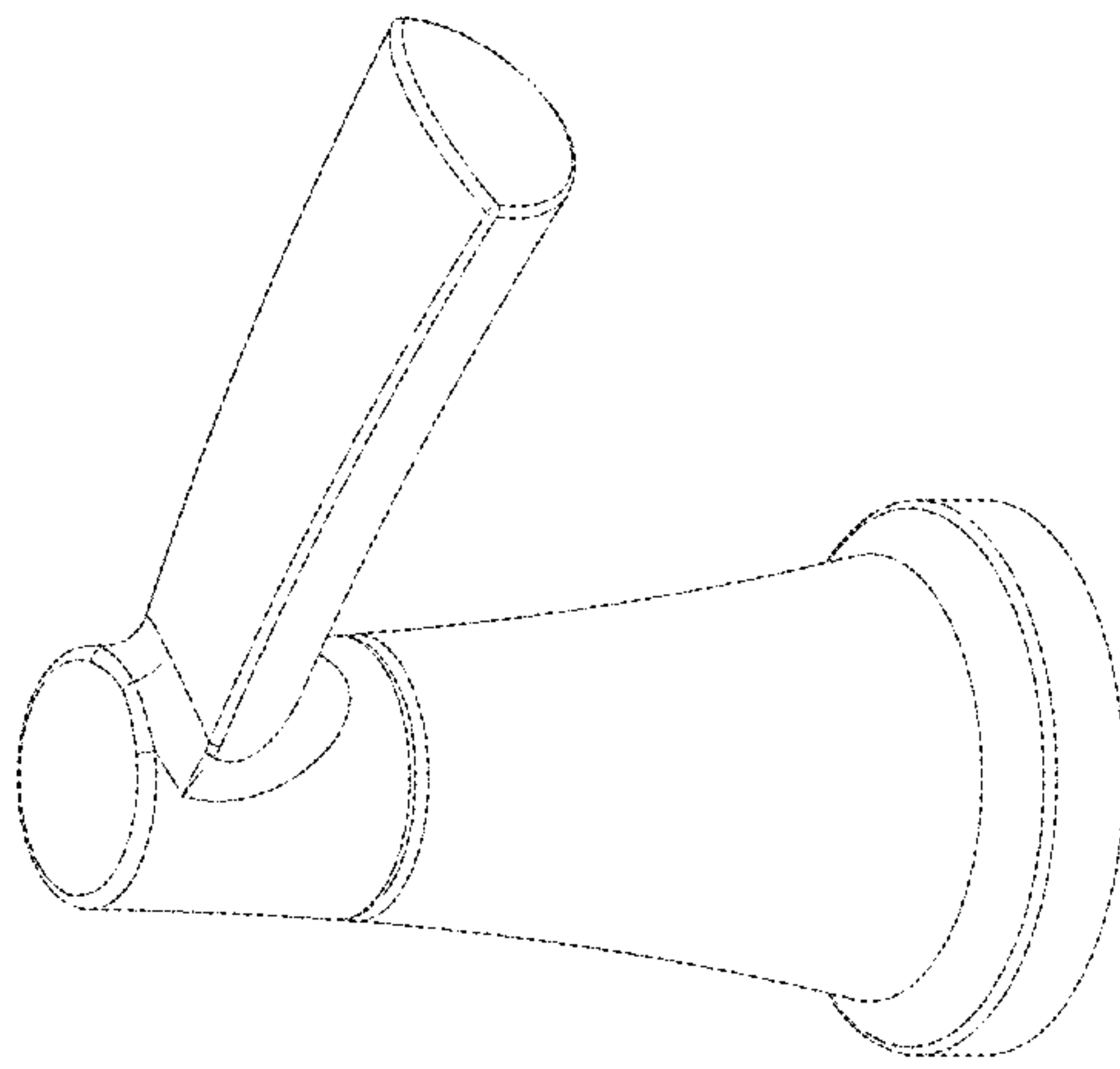


FIG - 1

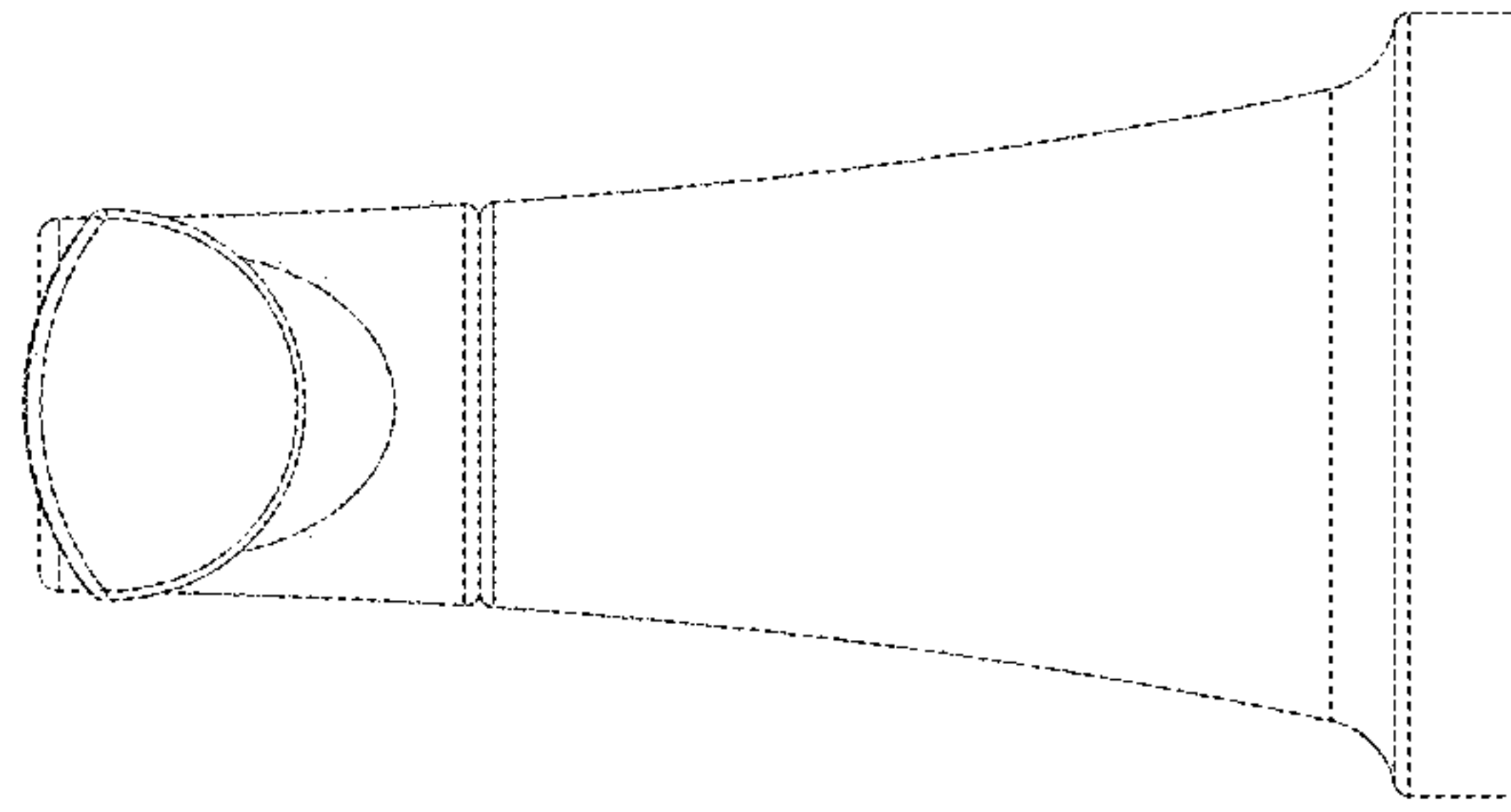


FIG - 4

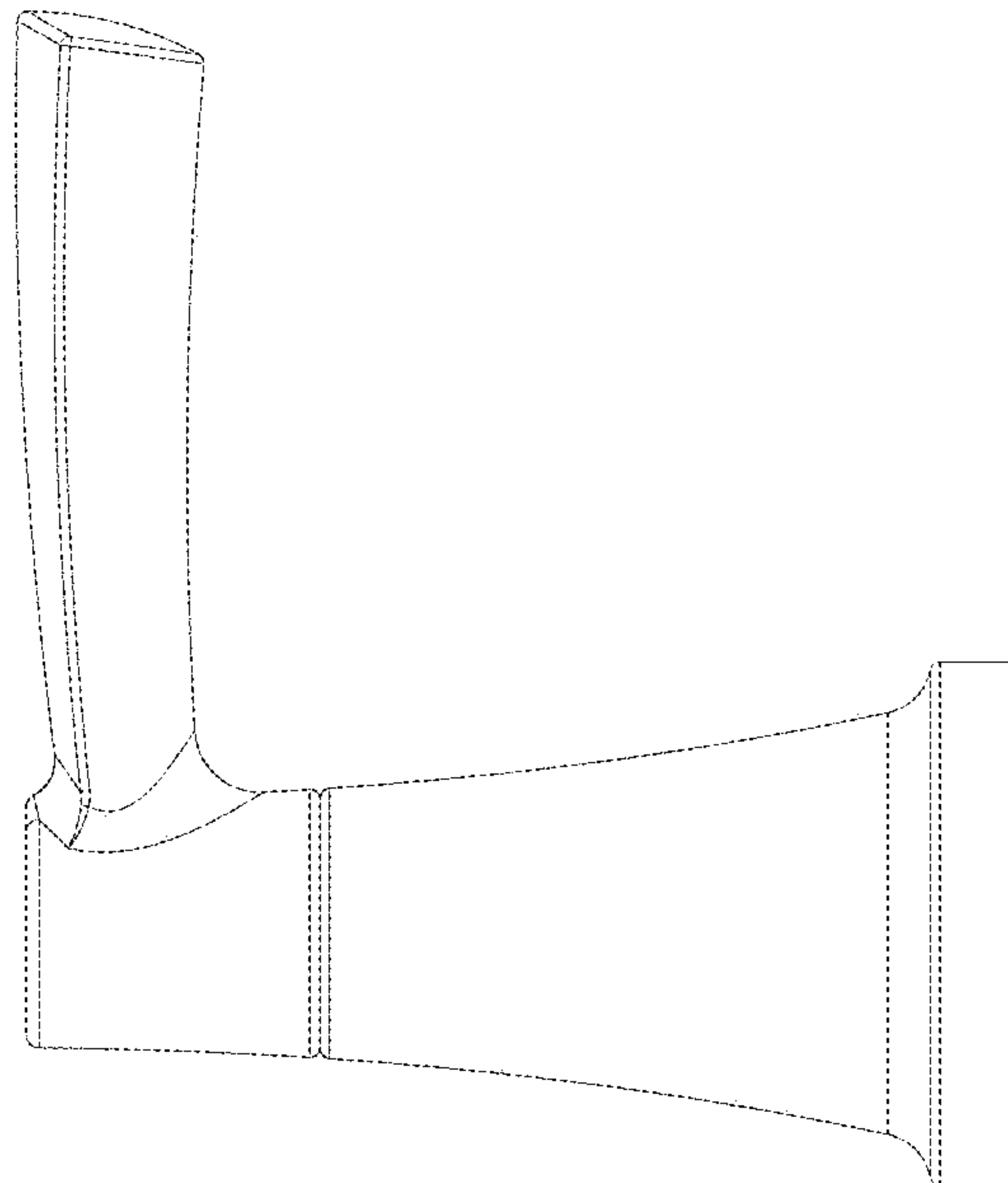


FIG - 3

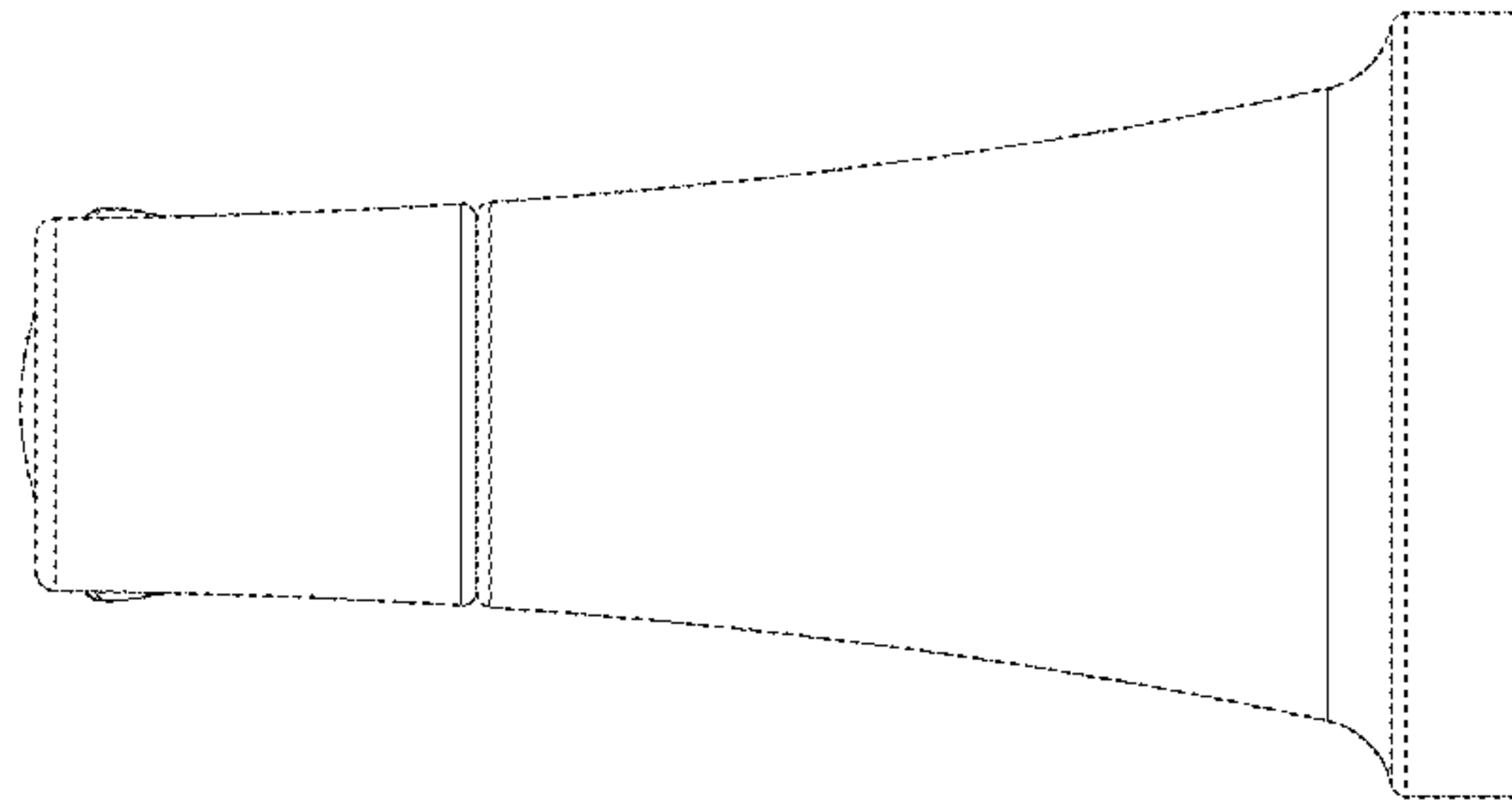


FIG - 6

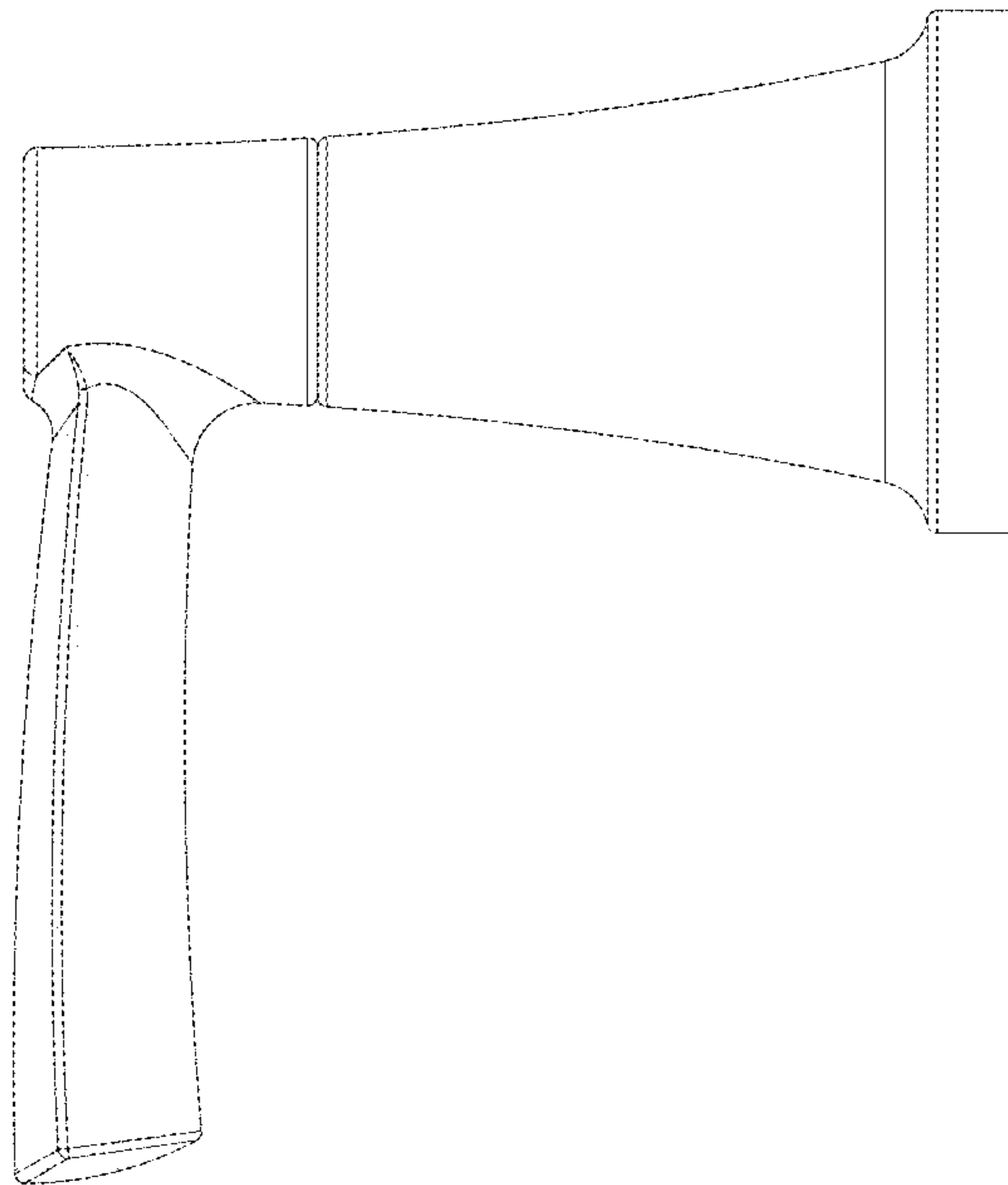


FIG - 5

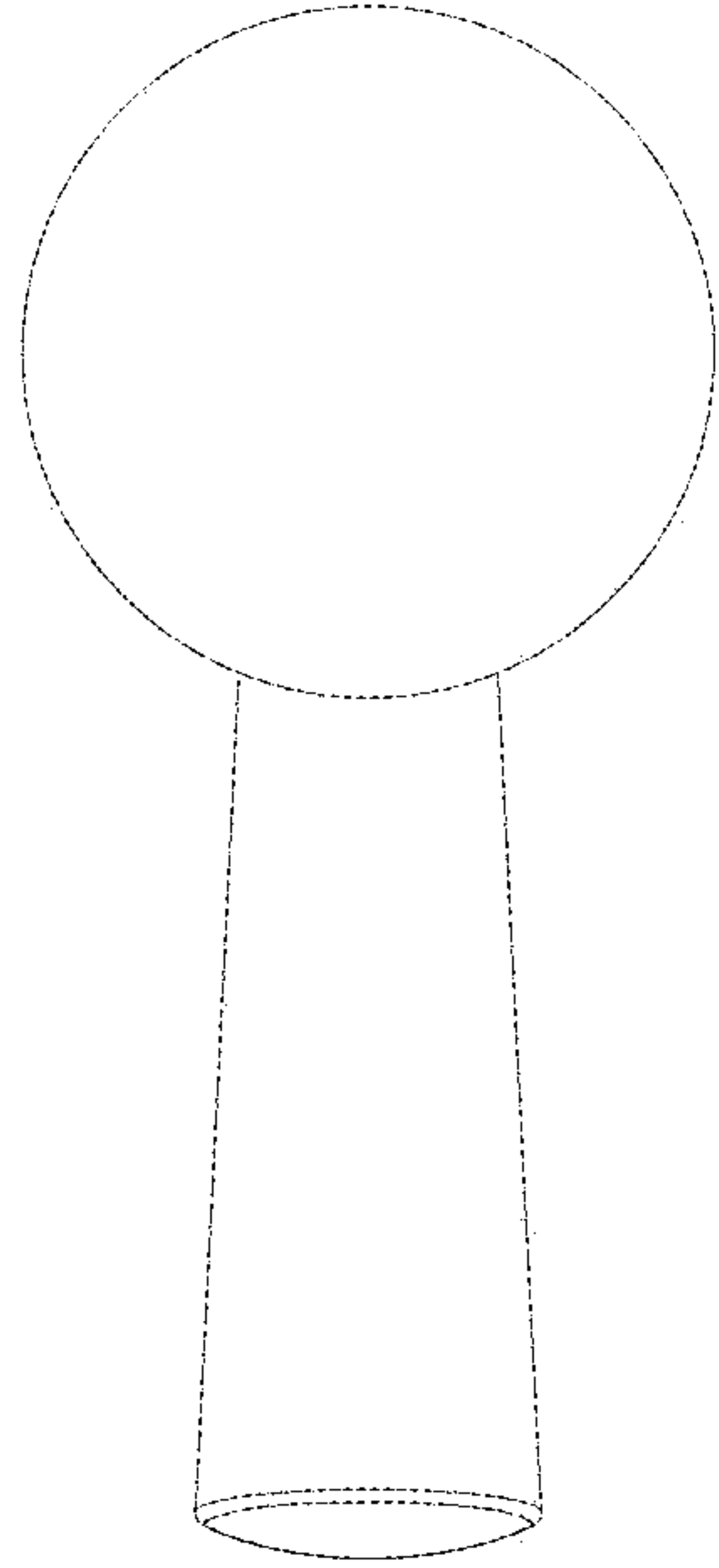


FIG - 8

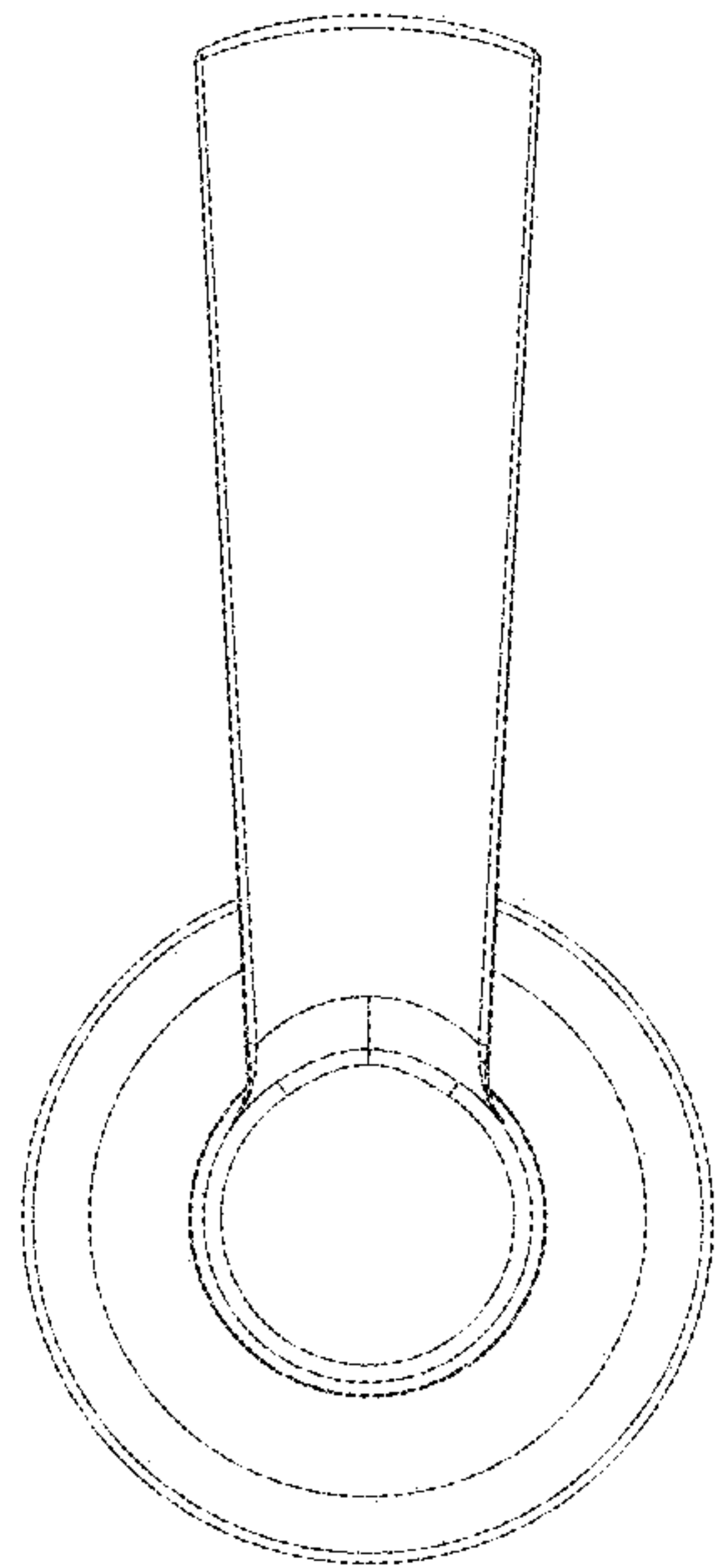


FIG - 7