



US00D947325S

(12) **United States Design Patent**
Takano

(10) **Patent No.:** **US D947,325 S**
(45) **Date of Patent:** **** Mar. 29, 2022**

(54) **FAUCET**

- (71) Applicant: **Masaaki Takano**, Osaka (JP)
- (72) Inventor: **Masaaki Takano**, Osaka (JP)
- (**) Term: **15 Years**
- (21) Appl. No.: **29/764,895**
- (22) Filed: **Jan. 4, 2021**

Related U.S. Application Data

- (62) Division of application No. 29/700,560, filed on Aug. 2, 2019, now Pat. No. Des. 914,141.

(30) **Foreign Application Priority Data**

- Jul. 24, 2019 (JP) 2019-016584
- Jul. 30, 2019 (JP) 2019-017047
- Jul. 30, 2019 (JP) 2019-017048
- Jul. 30, 2019 (JP) 2019-017049

- (51) **LOC (13) Cl.** **23-01**
- (52) **U.S. Cl.**
USPC **D23/238**

- (58) **Field of Classification Search**
USPC D23/238, 239, 240, 241, 242, 243, 249,
D23/250, 255, 256, 257
CPC E03C 1/04; E03C 1/0401; E03C 1/0402;
E03C 1/0404; E03C 1/0405; E03C
1/0412; Y10T 137/9464
See application file for complete search history.

(56) **References Cited**

U.S. PATENT DOCUMENTS

- D687,127 S 7/2013 Fritz
- D708,713 S 7/2014 Yu
- D709,166 S 7/2014 Yu
- D735,298 S * 7/2015 Eads D23/238
- D810,875 S 2/2018 Bahler
- D833,577 S 11/2018 Clarke

(Continued)

OTHER PUBLICATIONS

Delta Faucet Foundry Single-Handle Kitchen Sink Faucet with Pull Down Sprayer[Dec. 1, 2020] found online [Dec. 1, 2020]—https://www.amazon.com/Delta-Single-Handle-Pull-Down-Dispenser-Stainless/dp/B078BPGY9Q/ref=sr_1_123?_encoding=UTF8&c=ts&dchild=1&keywords=Kitchen+Sink+Faucets&qid=6068440878s=kitchen-bath&sr=1-123.

Primary Examiner — John A Voytek

(74) *Attorney, Agent, or Firm* — Hamre, Schumann, Mueller & Larson, P.C.

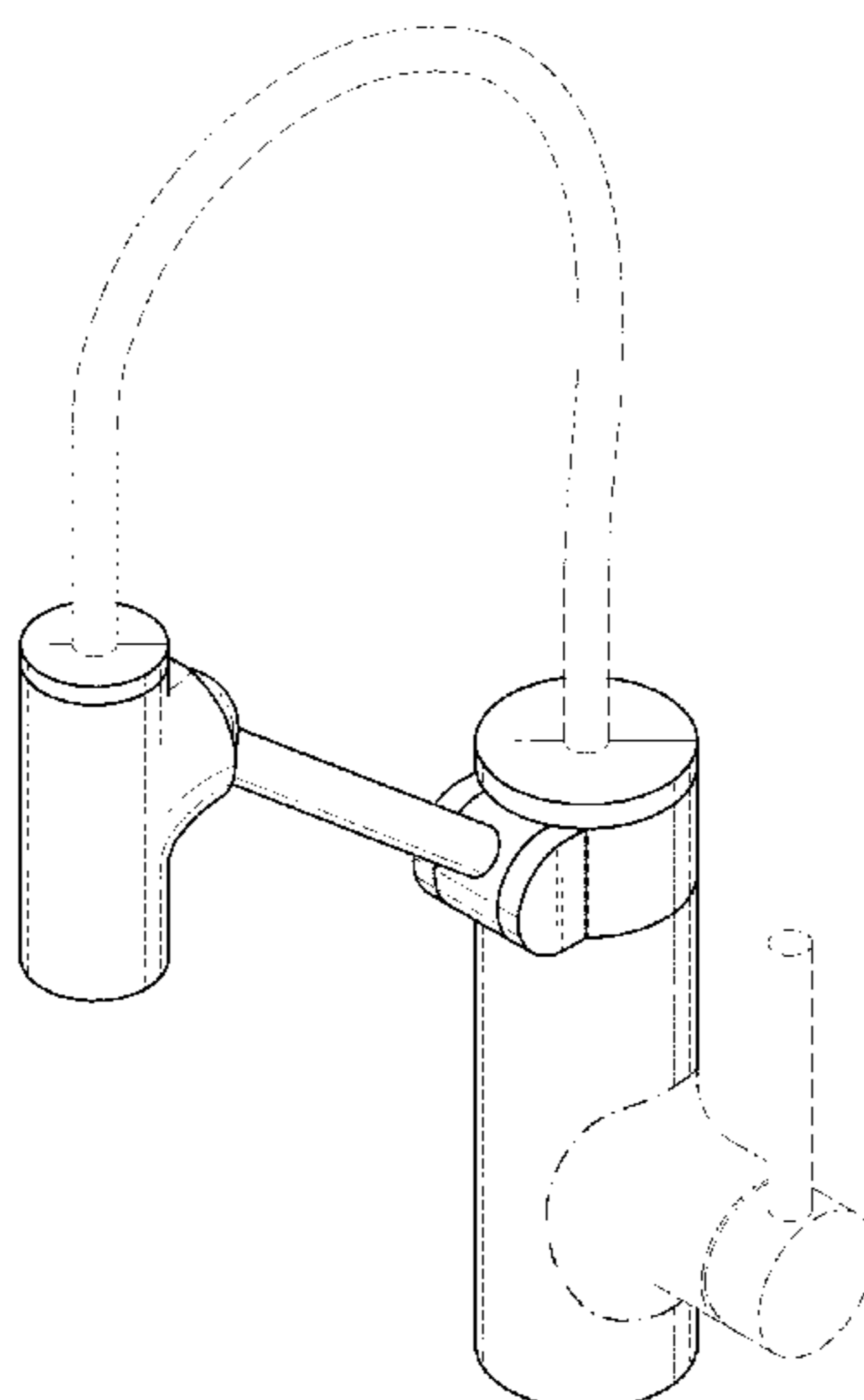
(57) **CLAIM**

The ornamental design for a faucet, as shown and described.

DESCRIPTION

FIG. 1 is a perspective view of a faucet.
 FIG. 2 is a front view of the faucet depicted in FIG. 1.
 FIG. 3 is a rear view of the faucet depicted in FIG. 1.
 FIG. 4 is a right side view of the faucet depicted in FIG. 1, with the nozzle in an upper position.
 FIG. 5 is a left side view of the faucet depicted in FIG. 1, with the nozzle in an upper position.
 FIG. 6 is a top view of the faucet depicted in FIG. 1.
 FIG. 7 is a bottom view of the faucet depicted in FIG. 1.
 FIG. 8 is a right side view of the faucet depicted in FIG. 1, with the nozzle in an intermediate position.
 FIG. 9 is a right side view of the faucet depicted in FIG. 1, with the nozzle in a lower position.
 FIG. 10 is a right side view of the faucet depicted in FIG. 1, showing the support arm detached from the nozzle.
 FIG. 11 is a top view of the faucet depicted in FIG. 1, with the nozzle swung to the left and in an upper position; and, FIG. 12 is a top view of the faucet depicted in FIG. 1, with the nozzle swung to the right and in an upper position.
 In the drawings, the broken lines depict portions of a faucet that form no part of the claimed design.

1 Claim, 9 Drawing Sheets



(56)

References Cited

U.S. PATENT DOCUMENTS

D837,938	S	1/2019	Clarke	
D837,939	S *	1/2019	Clarke	D23/238
D840,511	S	2/2019	Garland et al.	
10,233,618	B2 *	3/2019	Clarke	E03C 1/0404
D855,155	S	7/2019	Stuart	
D855,767	S	8/2019	Gessi	
D858,709	S	9/2019	Xuan	
D884,123	S	5/2020	Eads	
D913,442	S *	3/2021	Sieger	D23/238
D914,141	S *	3/2021	Takano	D23/238
D916,241	S *	4/2021	Joseph	D23/238
D930,791	S *	9/2021	Williams	D23/238
2015/0308088	A1	10/2015	Enlow et al.	
2017/0350104	A1	12/2017	Clarke et al.	
2019/0003162	A1	1/2019	Fourman et al.	
2019/0078305	A1	3/2019	Lin et al.	
2020/0071917	A1 *	3/2020	Tentler	E03C 1/0401
2020/0102725	A1	4/2020	Fourman et al.	
2020/0181892	A1	6/2020	Macsay	

* cited by examiner

Fig. 1

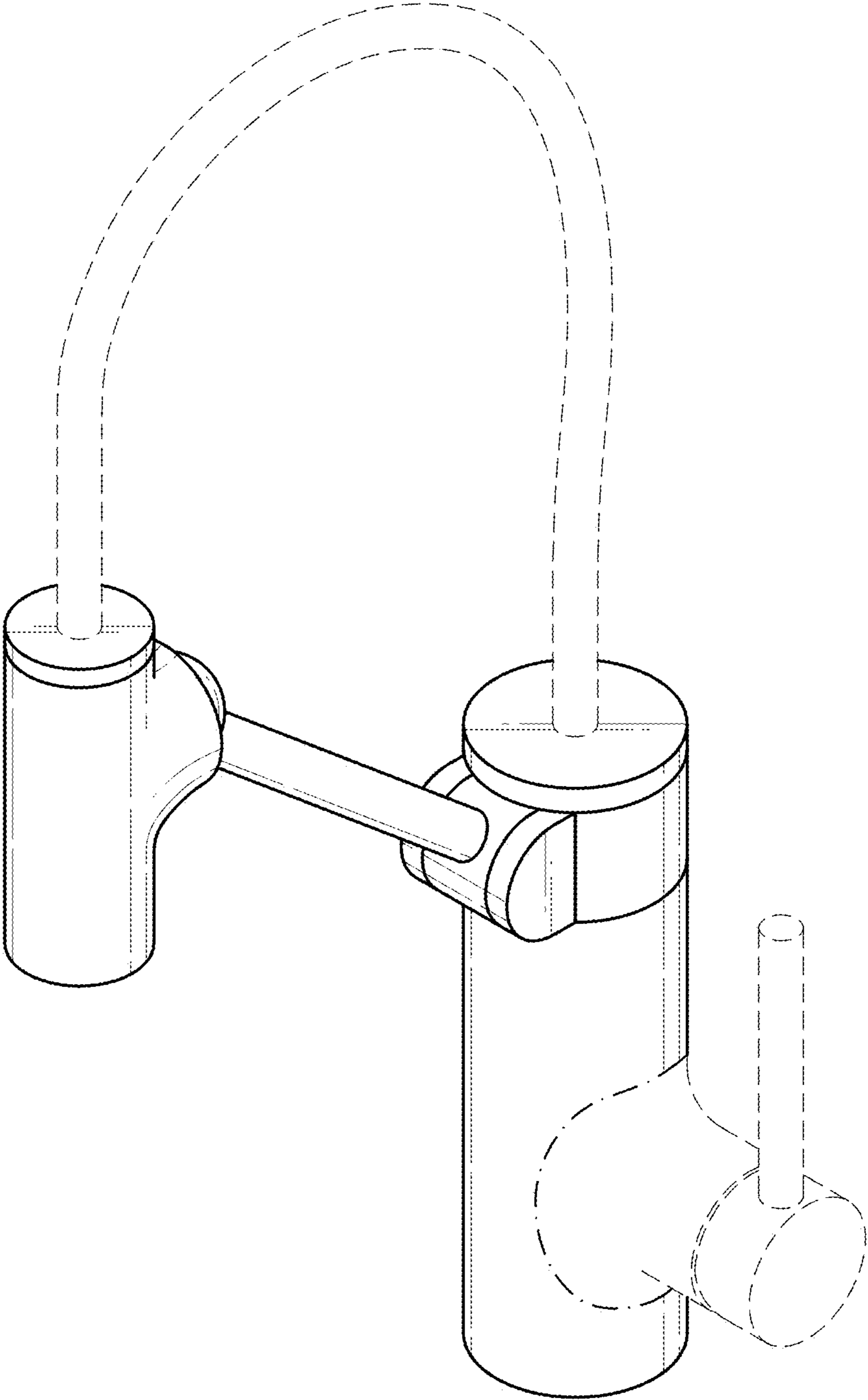


Fig. 2

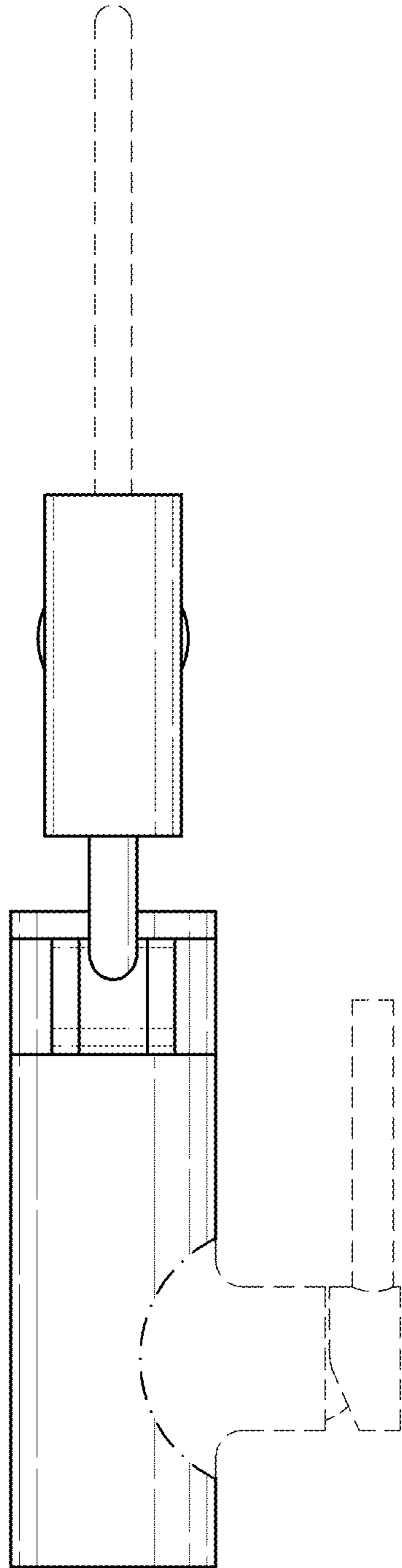


Fig. 3

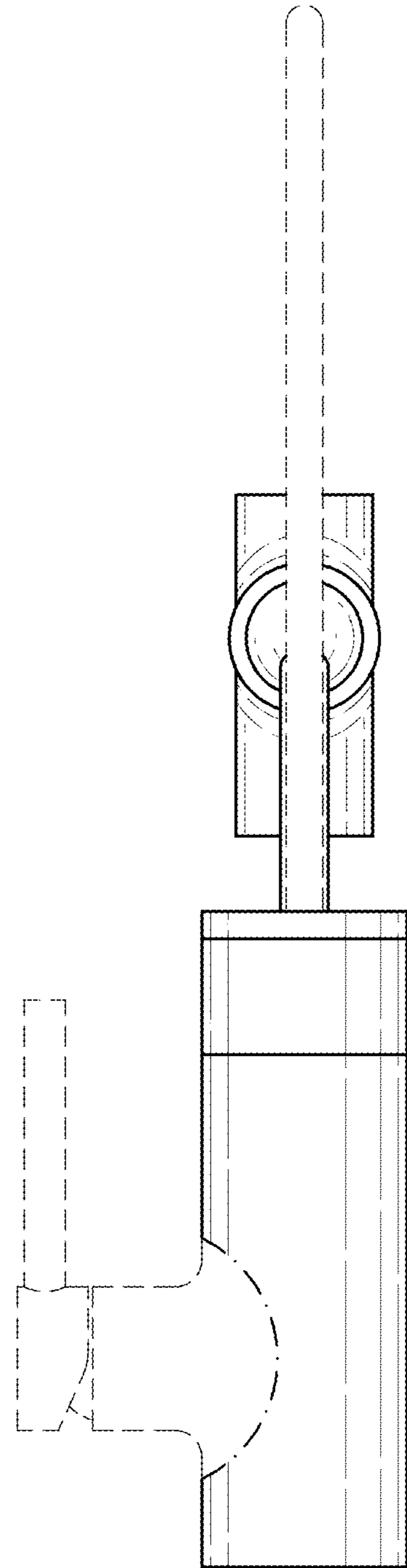


Fig. 4

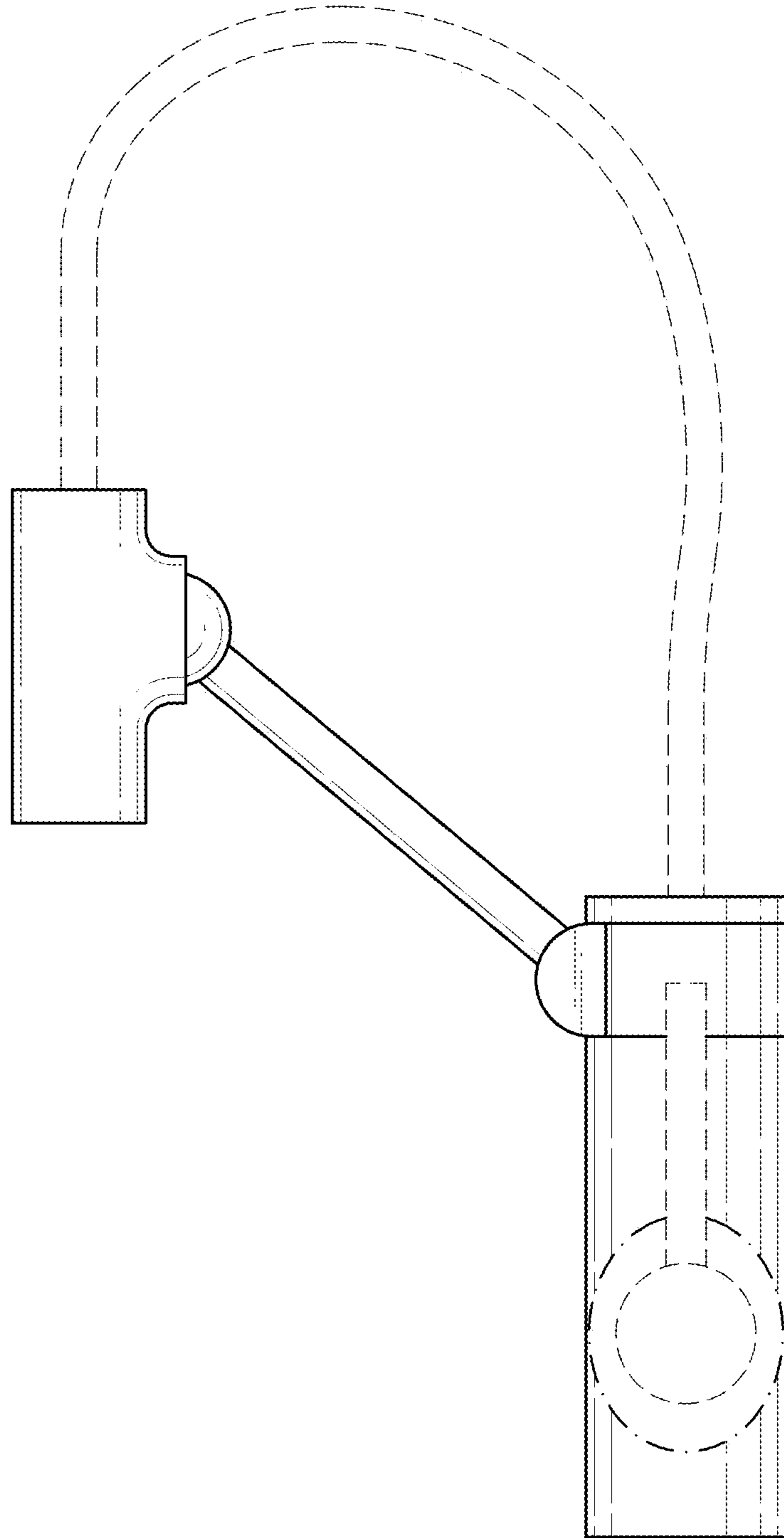


Fig. 5

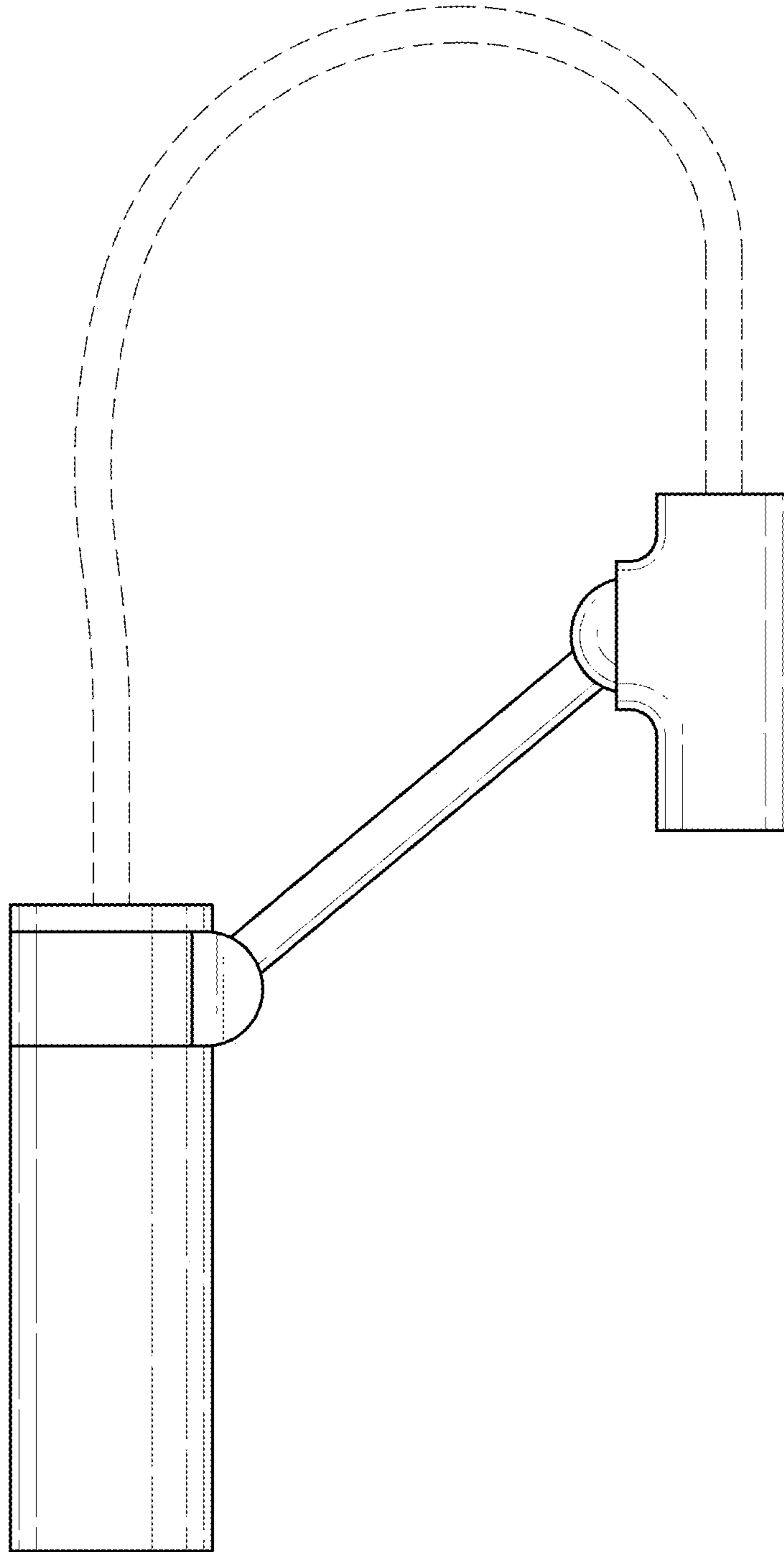


Fig. 6

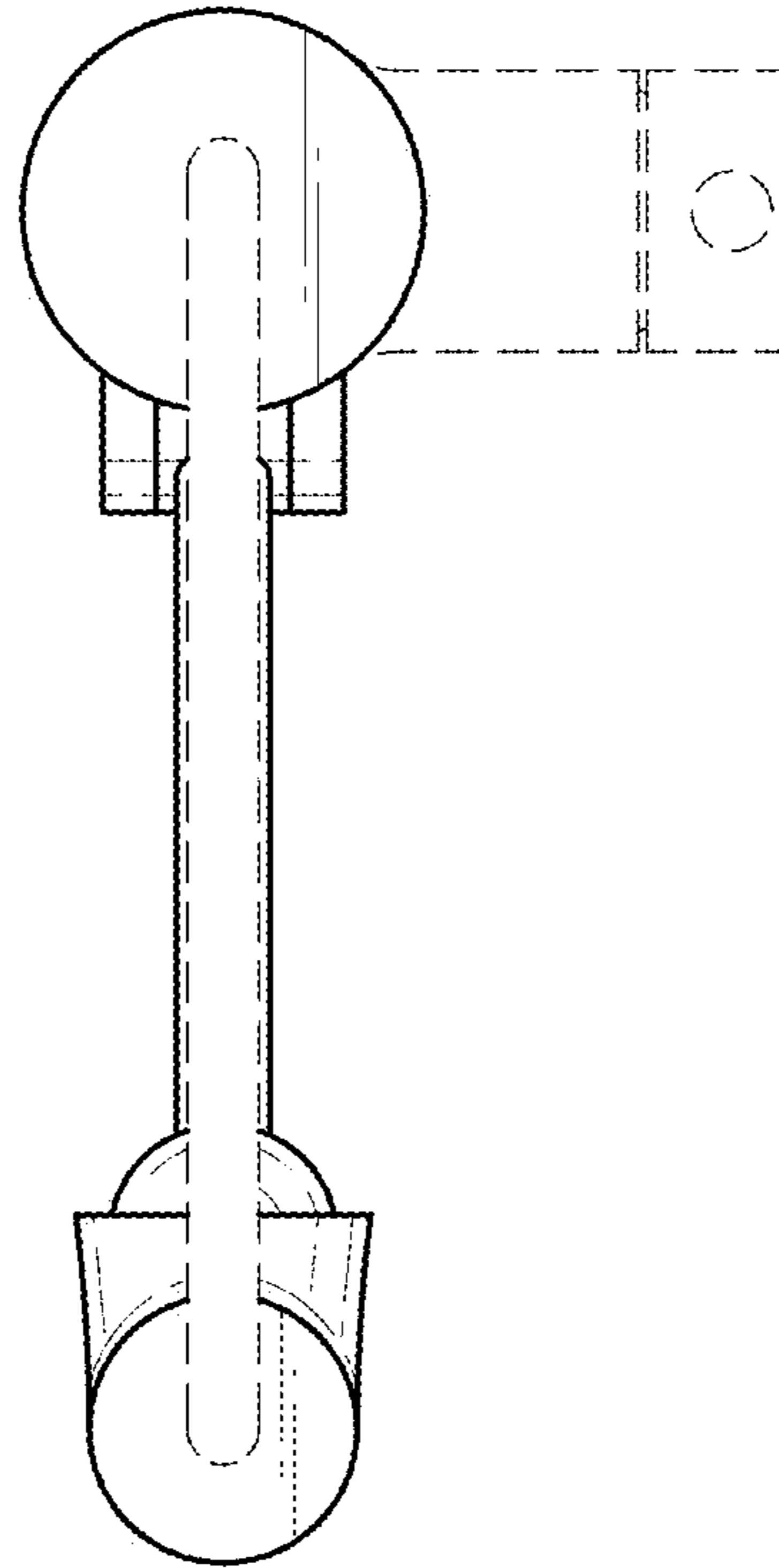


Fig. 7

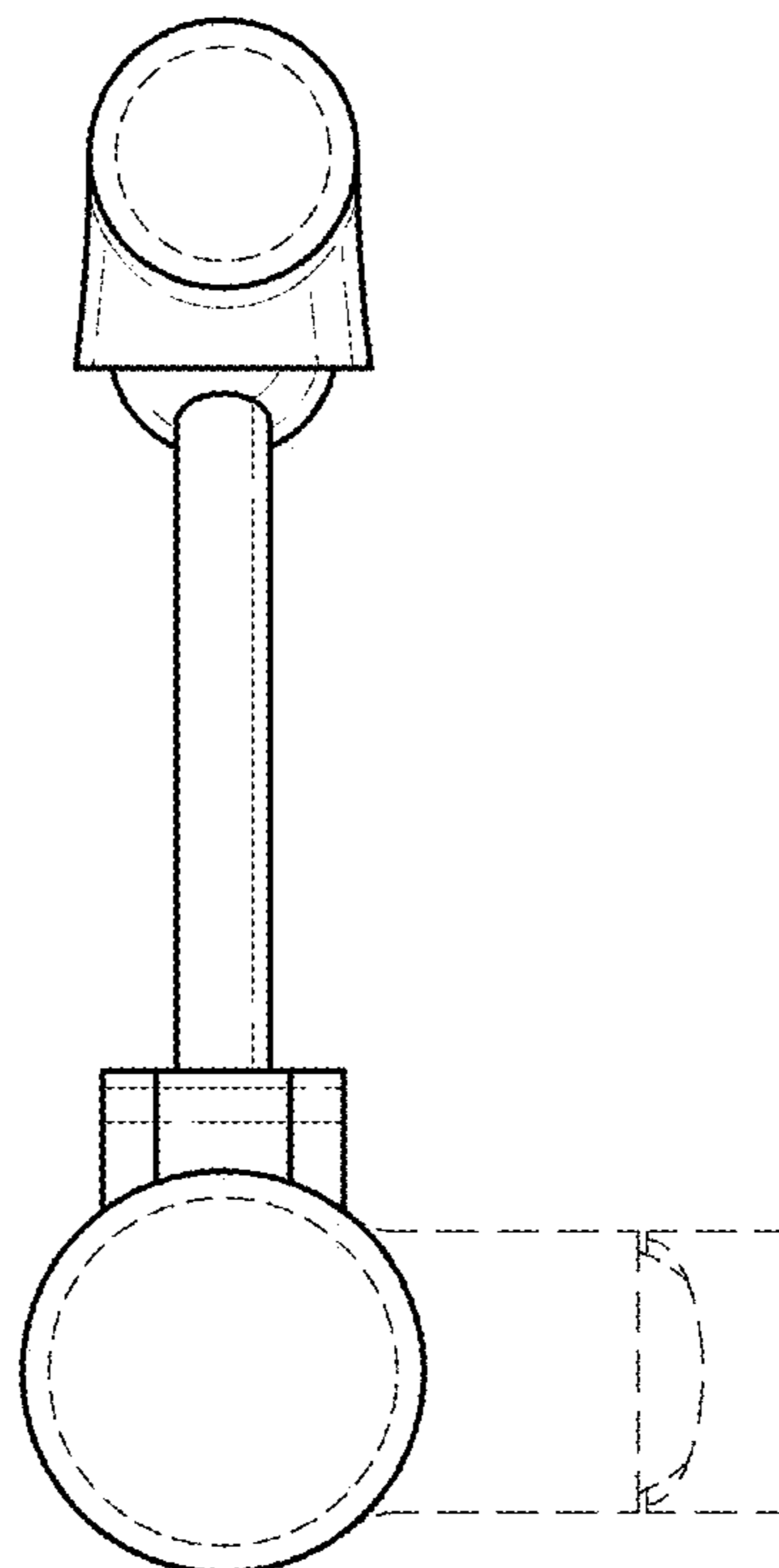


Fig. 8

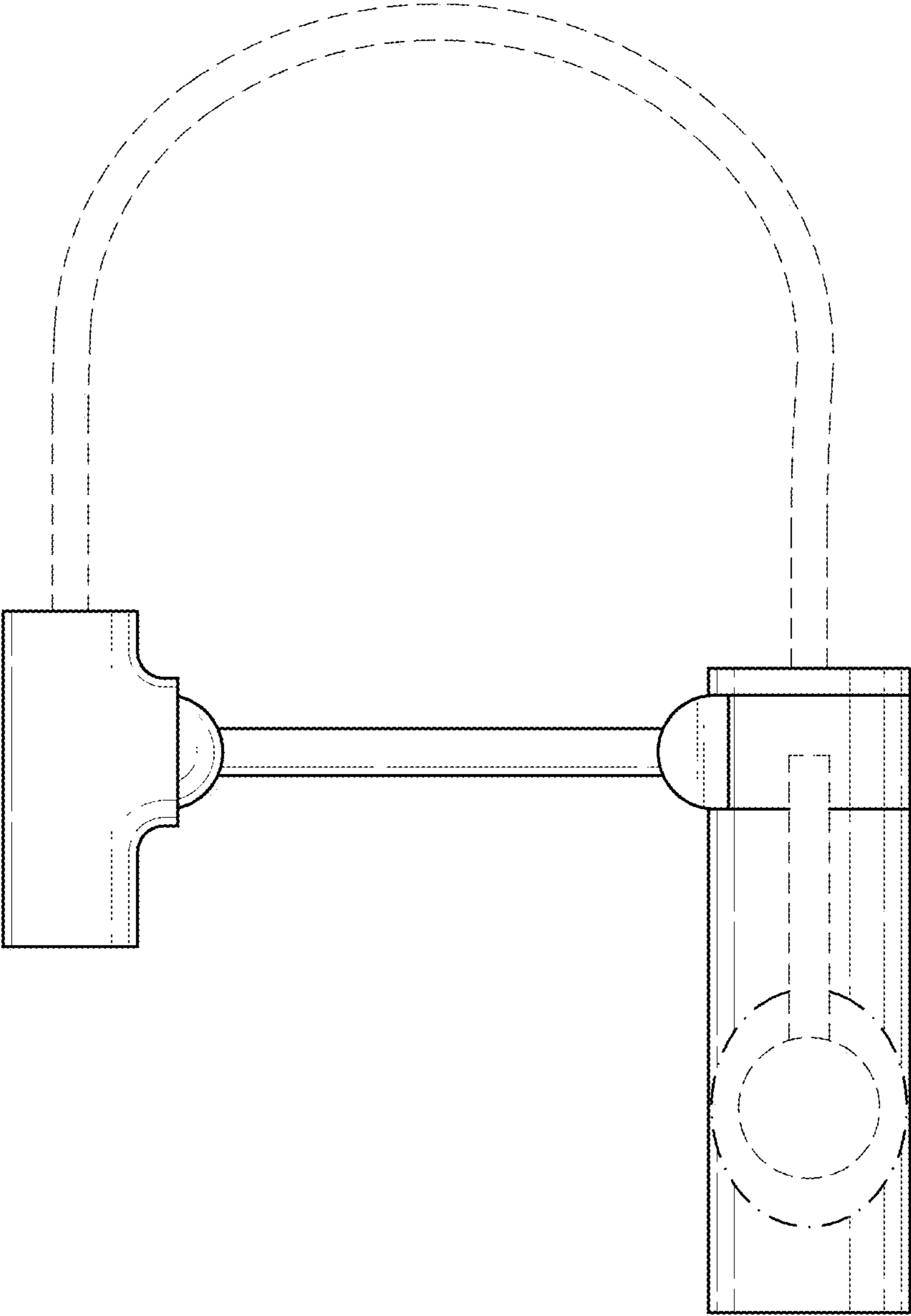


Fig. 9

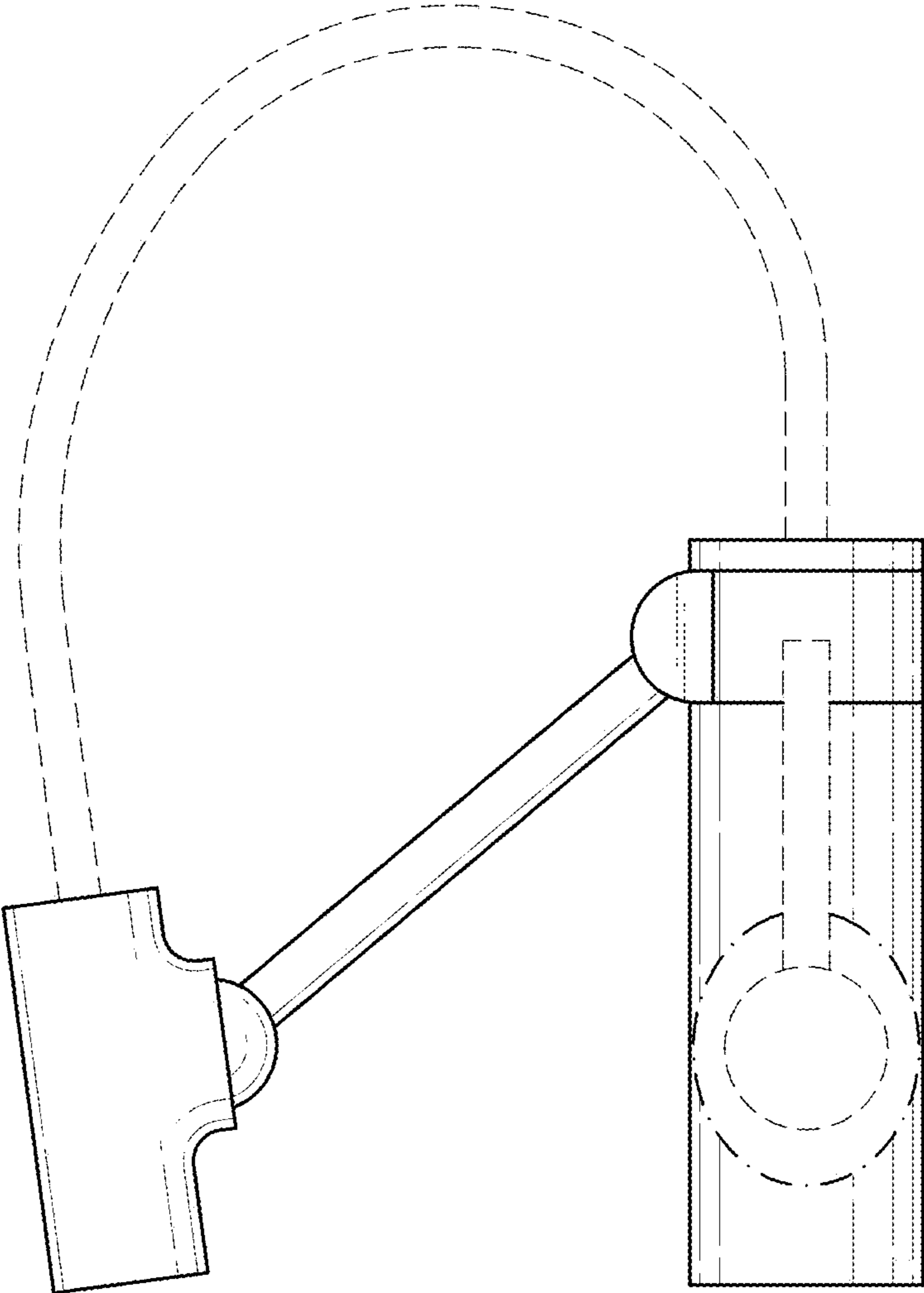


Fig. 10

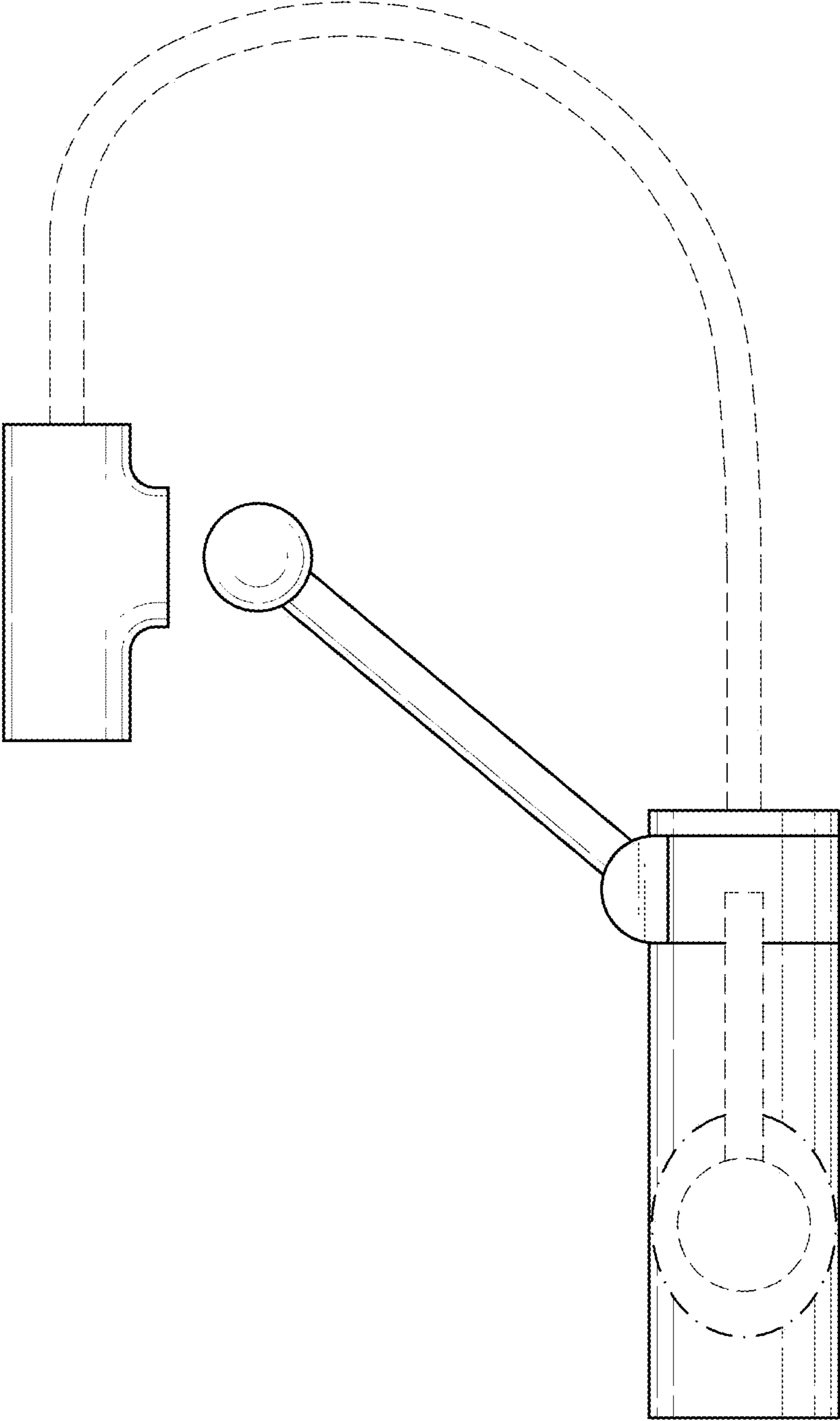


Fig. 11

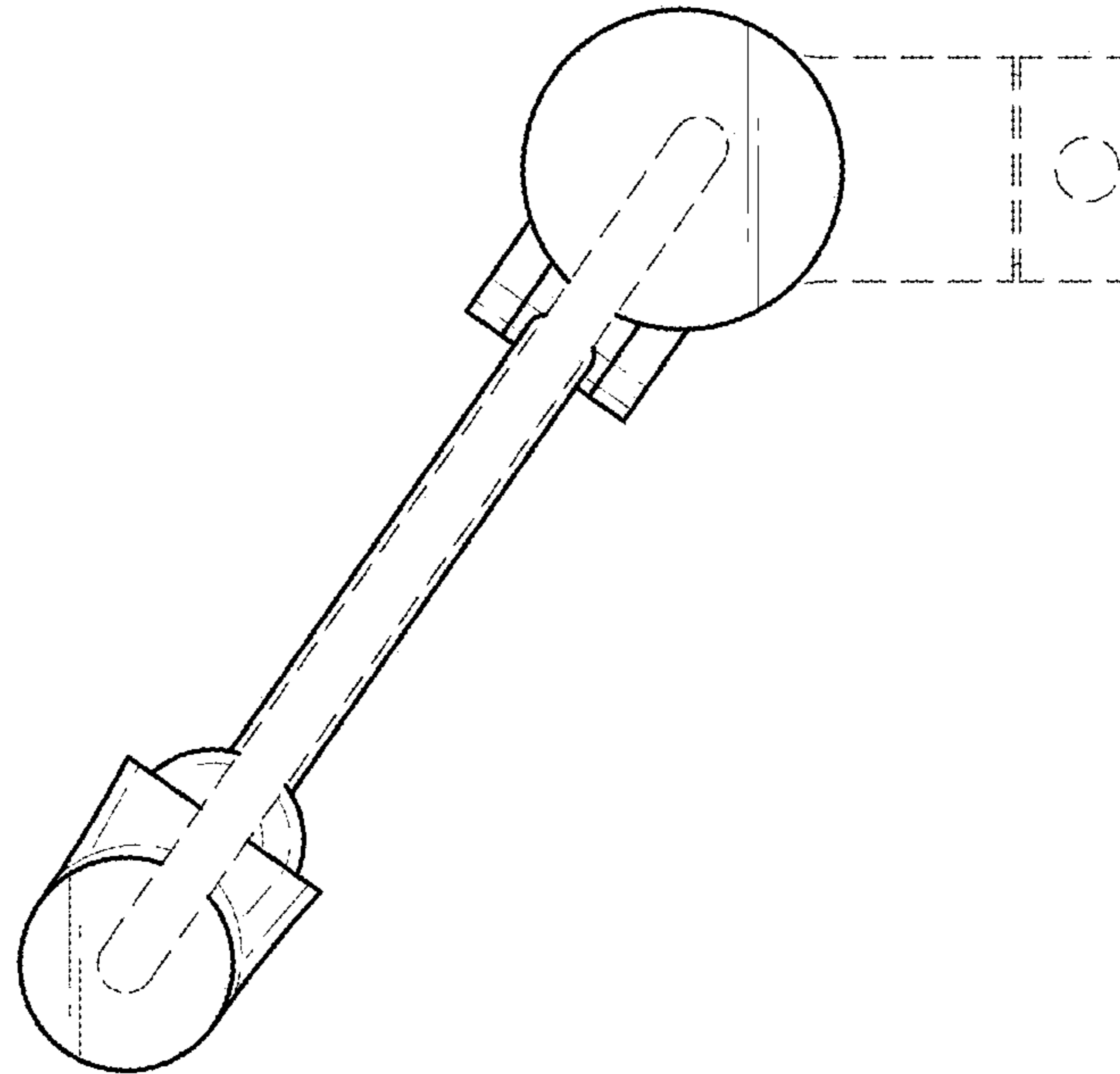


Fig. 12

