



US00D947324S

(12) **United States Design Patent** (10) **Patent No.:** **US D947,324 S**
Tu (45) **Date of Patent:** **** Mar. 29, 2022**

(54) **FAUCET**
(71) Applicant: **GLOBE UNION INDUSTRIAL CORP., Taichung (TW)**
(72) Inventor: **Chun-Yi Tu, Taichung (TW)**
(73) Assignee: **GLOBE UNION INDUSTRIAL CORP., Taichung (TW)**
(**) Term: **15 Years**
(21) Appl. No.: **29/734,978**
(22) Filed: **May 18, 2020**
(51) **LOC (13) Cl.** **23-01**
(52) **U.S. Cl.**
USPC **D23/238**
(58) **Field of Classification Search**
USPC D23/238, 239, 240, 241, 242, 243, 244,
D23/245, 246, 247, 248, 249, 250, 251,
D23/252, 253, 254, 255, 256, 257, 259
CPC Y10T 137/9464; E03C 1/00; E03C 1/02;
E03C 1/04; E03C 1/042; E03C 1/044;
E03C 1/0402; E03C 1/0403; E03C
1/0405; E03C 1/0412
See application file for complete search history.

D823,434 S * 7/2018 Downey D23/238
D828,506 S * 9/2018 Schoenherr D23/238
D832,401 S * 10/2018 Garuti D23/238
D837,946 S * 1/2019 Schoenherr D23/255
D846,081 S * 4/2019 Schoenherr D23/255
D881,353 S * 4/2020 Lazarini D23/255
D900,970 S * 11/2020 Takahashi D23/238
2016/0369484 A1 * 12/2016 Peng E03C 1/04

OTHER PUBLICATIONS

Amazon, VOTON Bathroom Sink Faucet Single Handle, posted Aug. 20, 2019, [online], [visited Nov. 16, 2021]. Internet, <URL: <https://www.amazon.com/Commercial-Bathroom-Faucet-Modern-Lavatory-Assembly/dp/B07WR2YVY8/ref>> (Year: 2019).*
Amazon, Leekayer Bathroom Basin Tap Single Handle, posted Nov. 28, 2018, [online], [visited Nov. 16, 2021]. Internet, <URL: <https://www.amazon.co.uk/Modern-Bathroom-Brushed-Lavatory-Leekayer/dp/B07VK5K6PX/ref>> (Year: 2018).*

* cited by examiner

Primary Examiner — Samantha Wood
(74) *Attorney, Agent, or Firm* — Leong C. Lei

(57) **CLAIM**

The ornamental design for a faucet, as shown and described.

DESCRIPTION

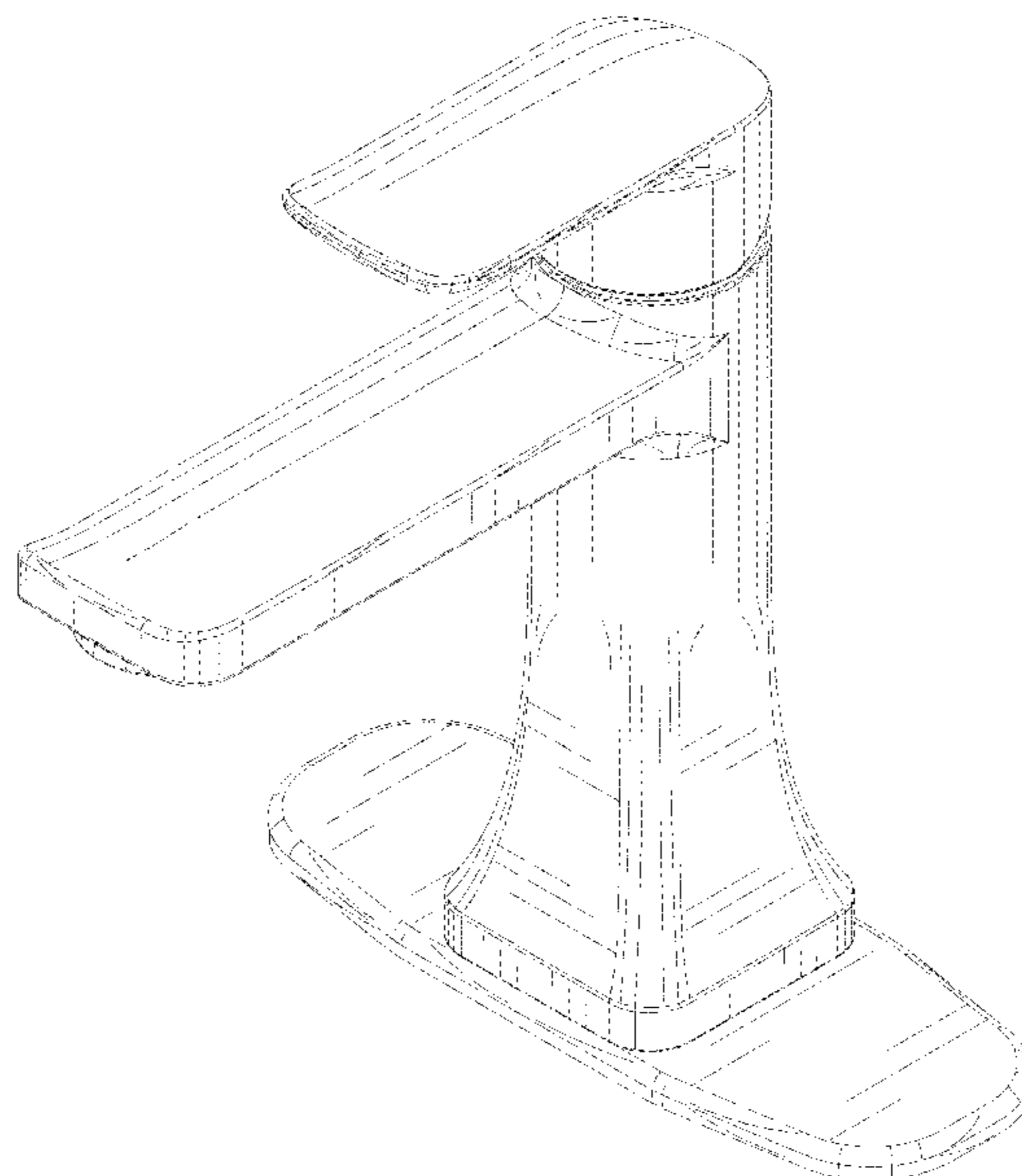
FIG. 1 is a perspective view of a faucet showing my new design;
FIG. 2 is a front elevational view thereof;
FIG. 3 is a rear elevational view thereof;
FIG. 4 is a left side elevational view thereof;
FIG. 5 is a right side elevational view thereof;
FIG. 6 is a top plan view thereof; and,
FIG. 7 is a bottom plan view thereof.
The portions shown in broken lines form no part of the claimed design.

1 Claim, 7 Drawing Sheets

(56) **References Cited**

U.S. PATENT DOCUMENTS

D428,472 S * 7/2000 Fleischmann D23/238
D535,723 S * 1/2007 Veltz D23/238
D602,121 S * 10/2009 Yabe D23/238
D615,162 S * 5/2010 Pan D23/255
D643,909 S * 8/2011 Flowers D23/238
D648,003 S * 11/2011 Gao D23/255
D662,181 S * 6/2012 Thun D23/238
D685,060 S * 6/2013 Yu D23/238
D787,637 S * 5/2017 Hong D23/238
D799,642 S * 10/2017 Sieger D23/238
D809,107 S * 1/2018 Schoenherr D23/255



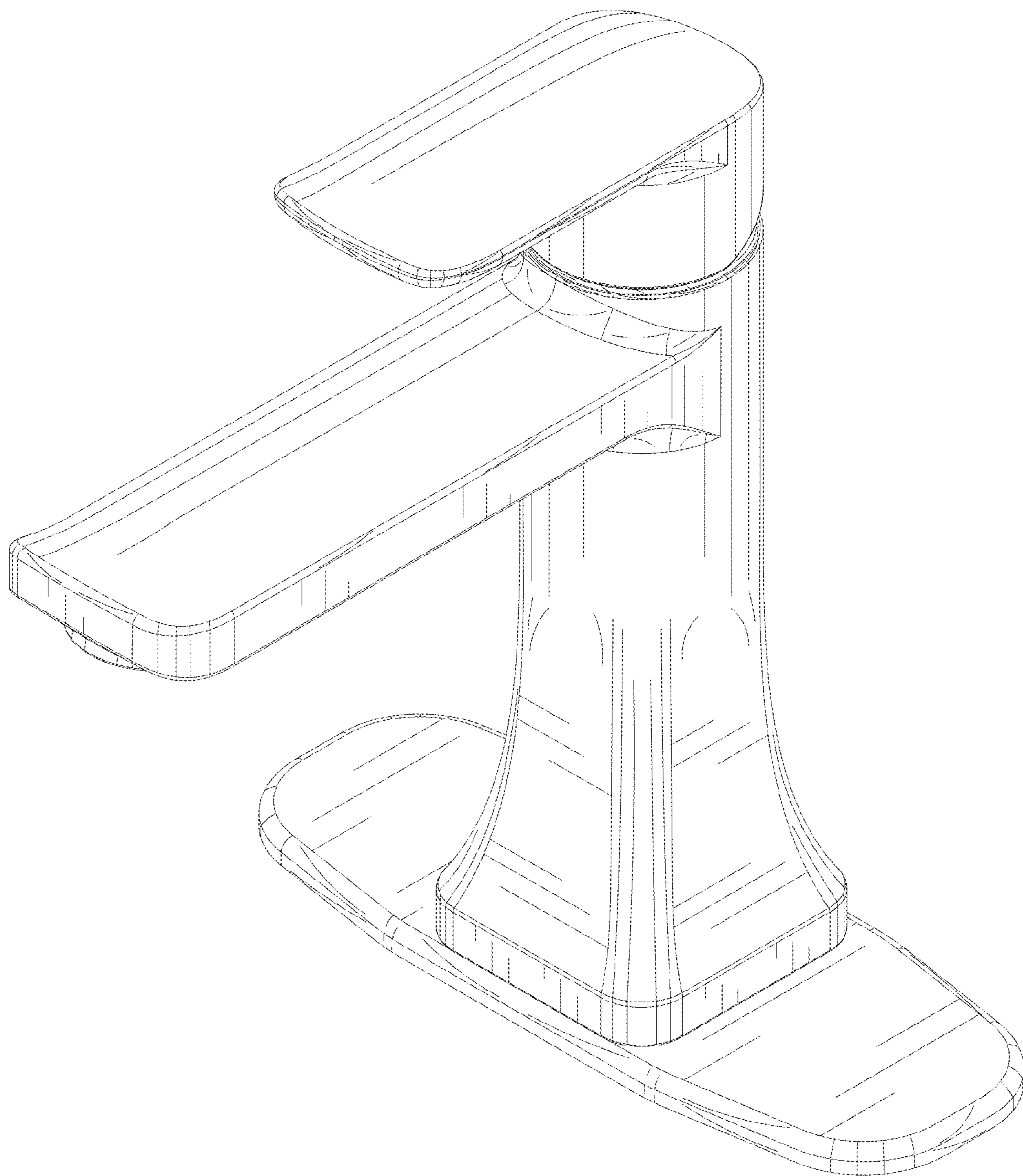


FIG. 1

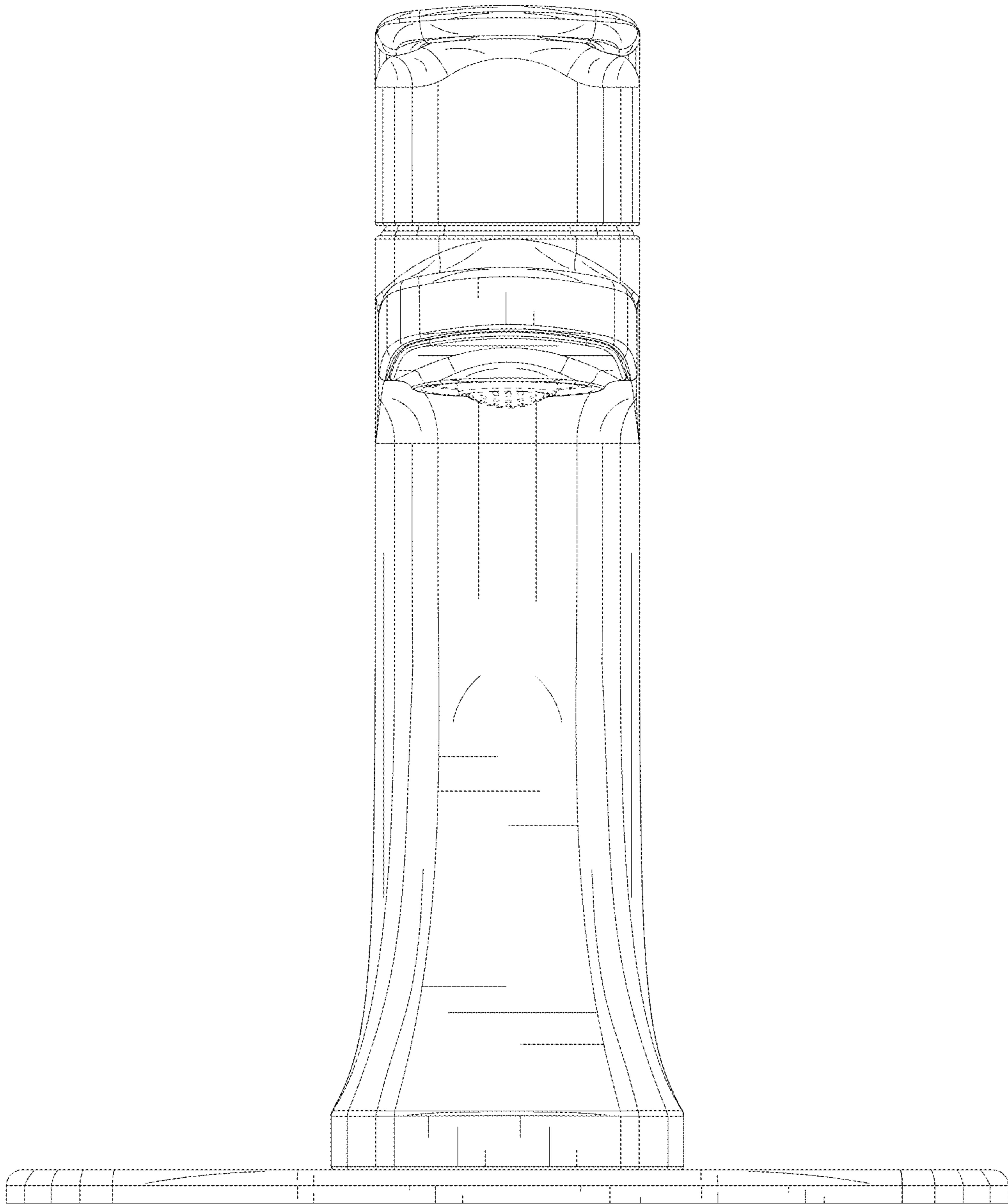
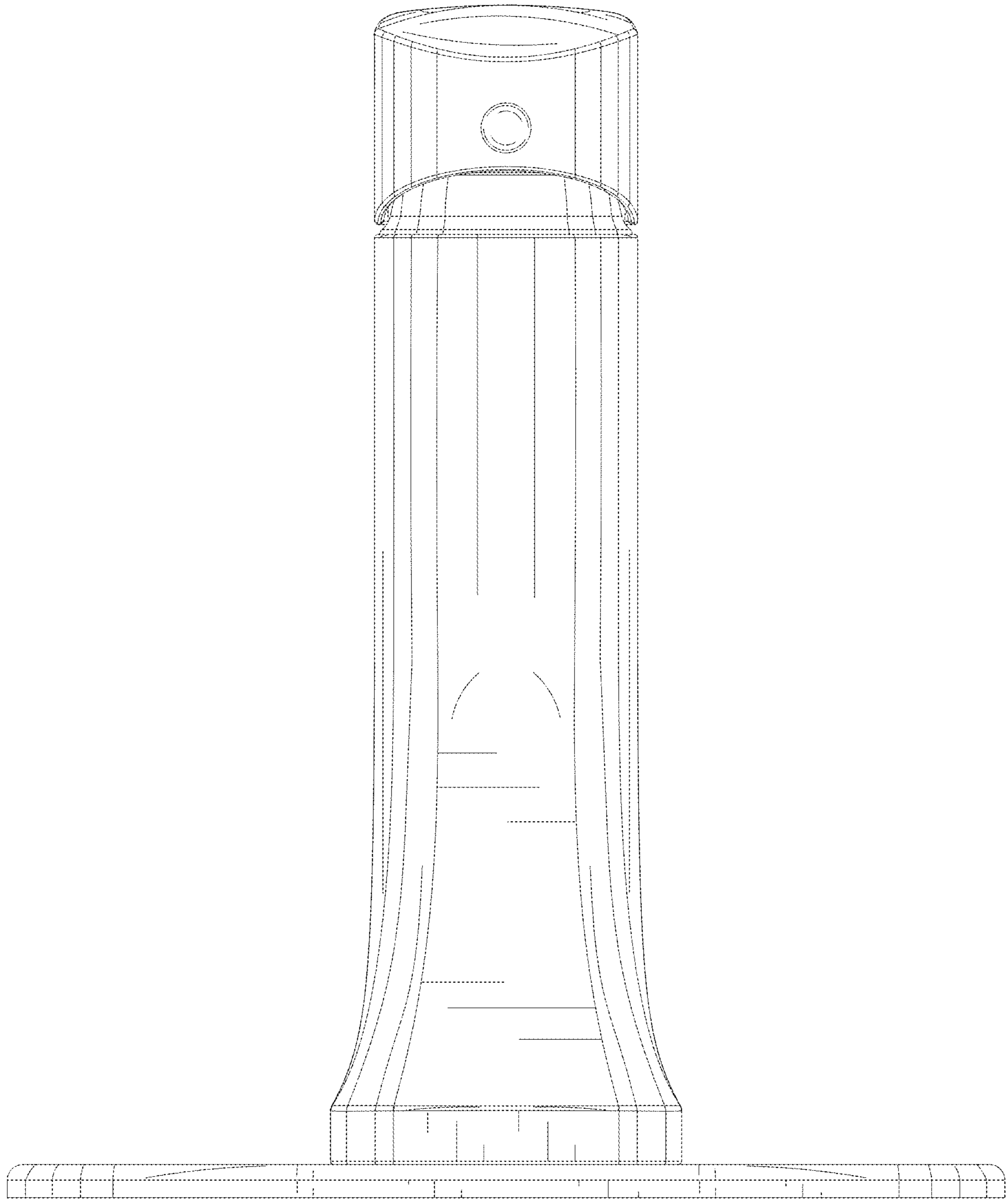


FIG. 2



F I G. 3

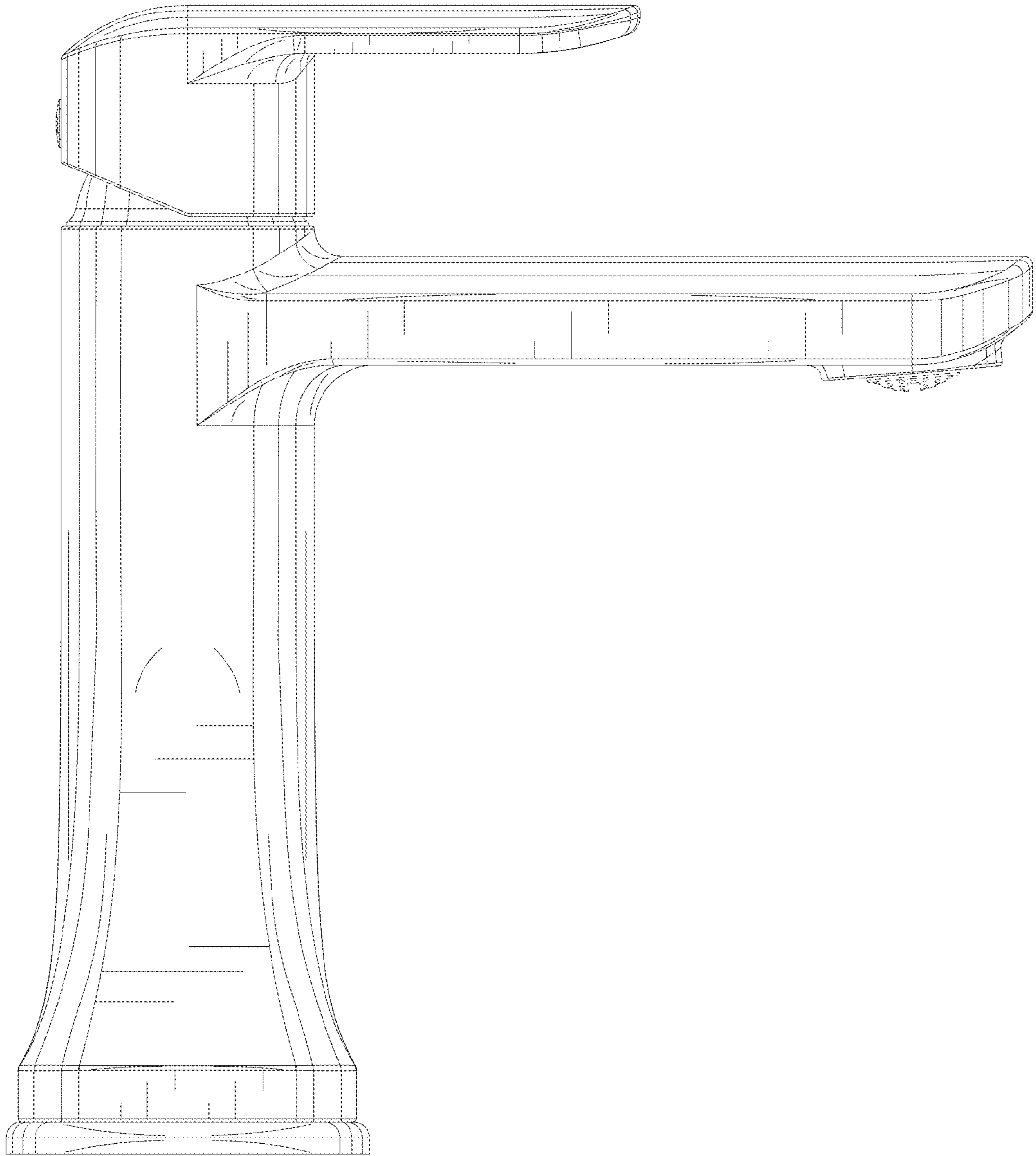
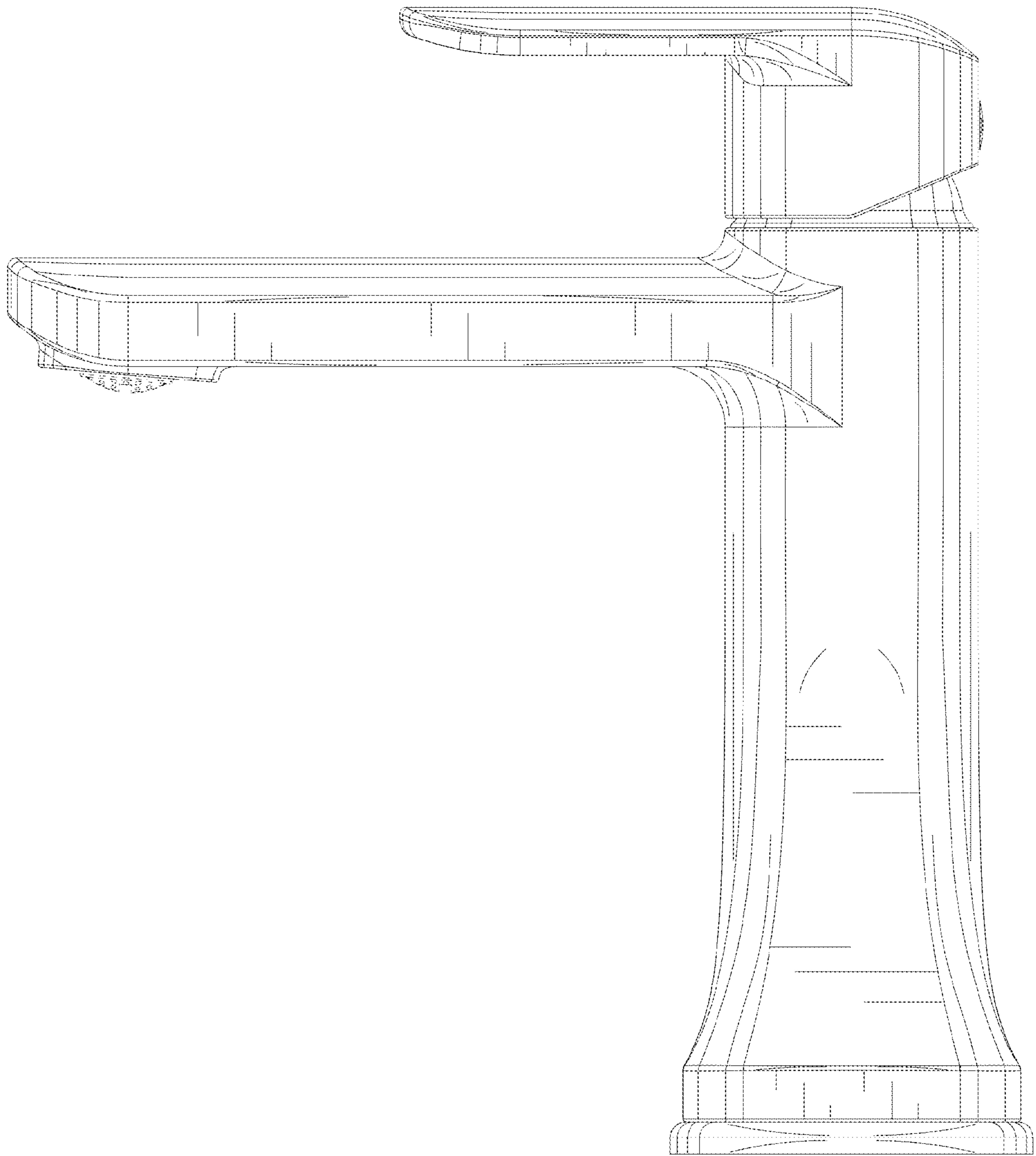
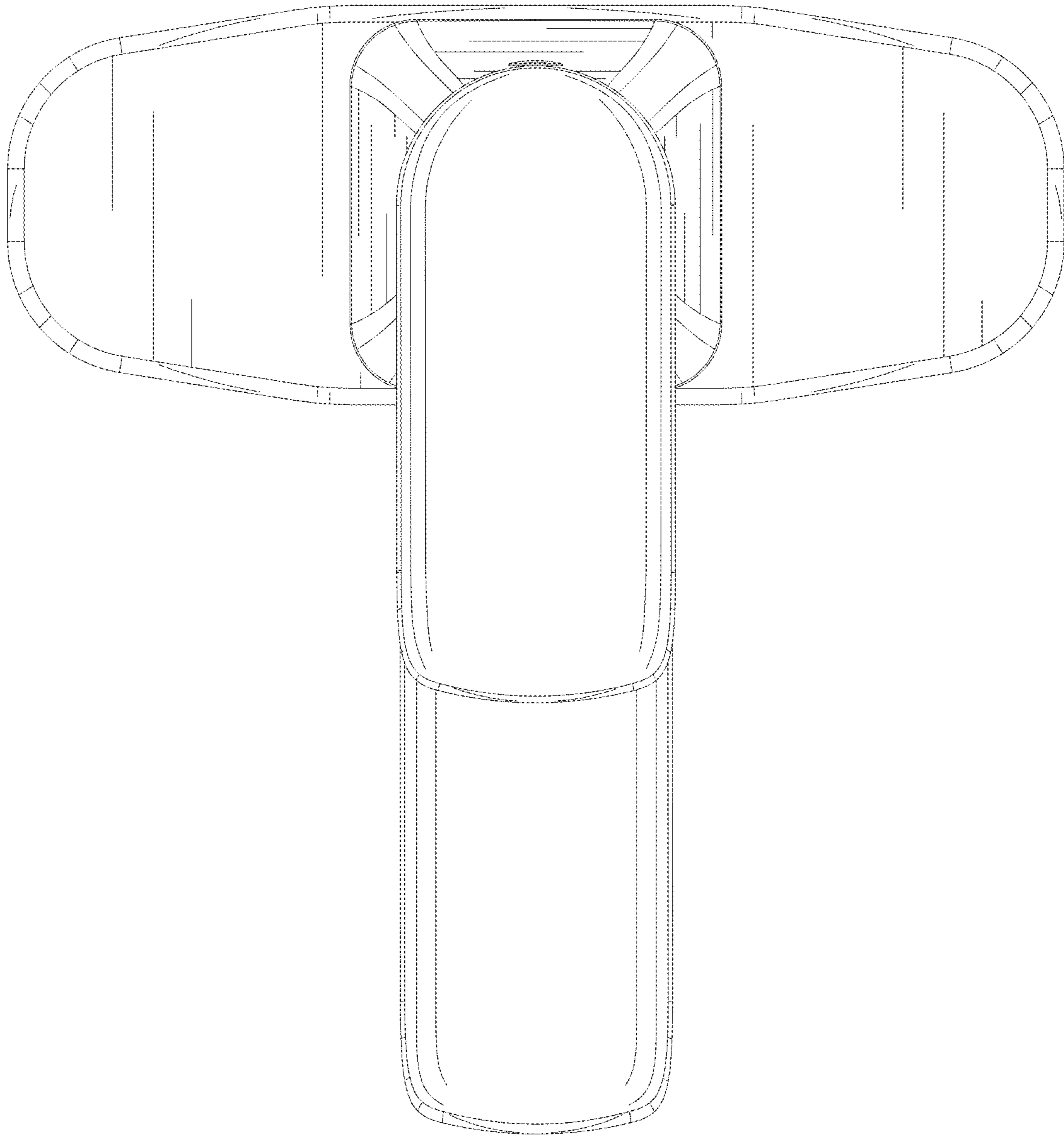


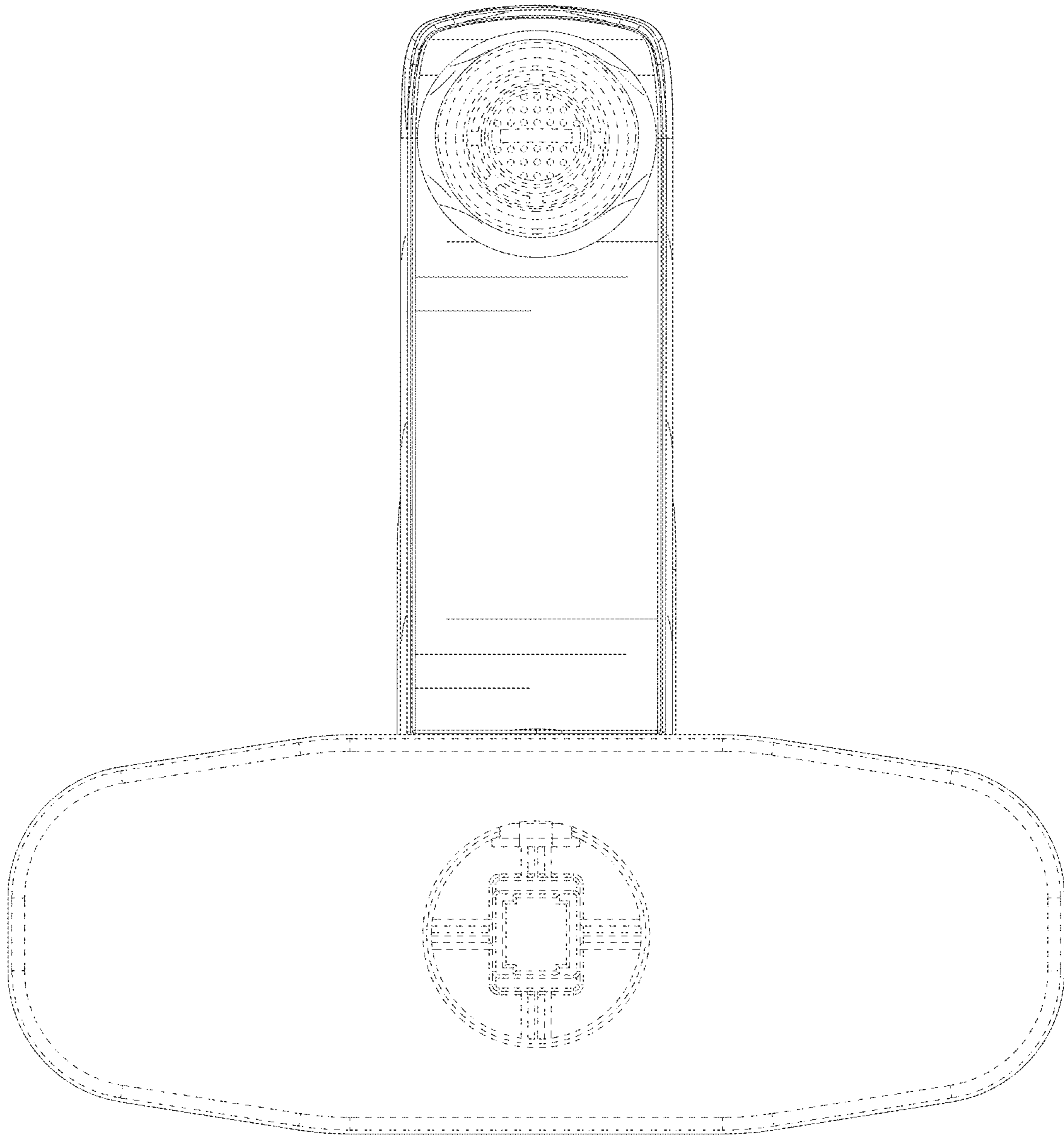
FIG. 4



F I G. 5



F I G. 6



F I G . 7