



US00D947323S

(12) **United States Design Patent** (10) **Patent No.:** **US D947,323 S**
Stoler et al. (45) **Date of Patent:** **** Mar. 29, 2022**

(54) **FAUCET BODY**

FOREIGN PATENT DOCUMENTS

(71) Applicant: **DELTA FAUCET COMPANY**,
Indianapolis, IN (US)

CA 183097 * 8/2018

(72) Inventors: **Benjamin David Stoler**, Carmel, IN
(US); **Thad Eads**, Urbana, IN (US)

OTHER PUBLICATIONS

(73) Assignee: **DELTA FAUCET COMPANY**,
Indianapolis, IN (US)

Kohler Bellera Pull Down Kitchen Faucet, first available May 21, 2011 [online], [site visited Jul. 27, 2021]. Available from internet, URL:<<https://www.amazon.com/dp/B0053XPRIE?tag=merchdope1-20>> (Year: 2011).*

(**) Term: **15 Years**

* cited by examiner

(21) Appl. No.: **29/723,479**

Primary Examiner — Barbara Fox

(22) Filed: **Feb. 7, 2020**

Assistant Examiner — Jamaal Rasheed

(51) **LOC (13) Cl.** **23-01**

(74) *Attorney, Agent, or Firm* — Nirav D. Parikh; Edgar A. Zarins

(52) **U.S. Cl.**

USPC **D23/238**

(58) **Field of Classification Search**

USPC D23/238–243, 249, 255, 257
CPC E03C 1/0401; E03C 1/0402; E03C 1/0404;
E03C 1/0405; E03C 1/0412

See application file for complete search history.

(57) **CLAIM**

The ornamental design for a faucet body, as shown and described.

(56) **References Cited**

DESCRIPTION

U.S. PATENT DOCUMENTS

D761,392 S *	7/2016	Hanna	D23/255
10,234,049 B1 *	3/2019	He	E03C 1/0403
D870,853 S *	12/2019	Garland	D23/238
D871,558 S *	12/2019	Eads	D23/257
D873,385 S *	1/2020	Tentler	D23/257
D876,588 S *	2/2020	Garland	D23/238
D877,297 S *	3/2020	Tentler	D23/238
D883,434 S *	5/2020	Lu	D23/238
D883,435 S *	5/2020	Lu	D23/238
D914,155 S *	3/2021	Zhu	D23/249
D923,147 S *	6/2021	Zhen	D23/238
D924,362 S *	7/2021	Zhu	D23/238
D924,363 S *	7/2021	Zhu	D23/238

FIG. 1 is a front perspective view of a faucet body showing my new design;

FIG. 2 is rear perspective view thereof;

FIG. 3 is a front elevational view thereof;

FIG. 4 is a left side view thereof;

FIG. 5 is a rear view thereof;

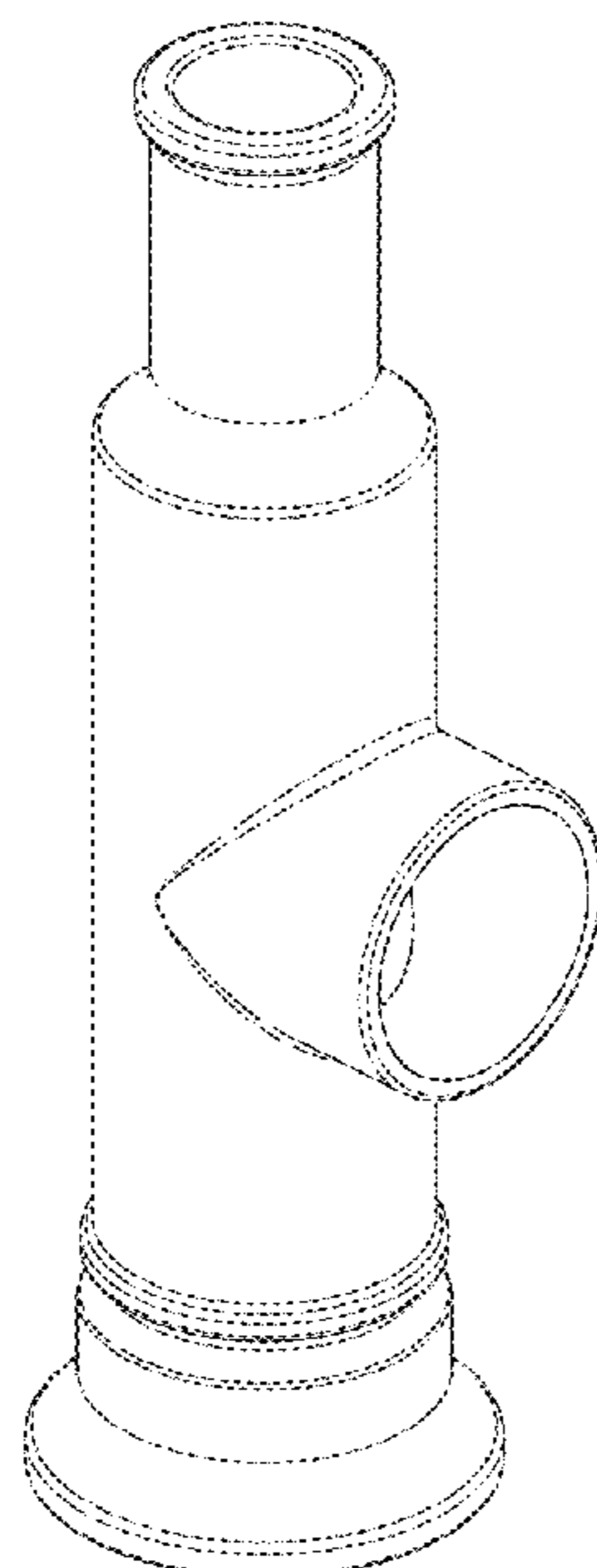
FIG. 6 is a right side view thereof;

FIG. 7 is a top plan view thereof; and,

FIG. 8 is a bottom view thereof.

The broken lines shown in the figures depict portions of the faucet body that forms no part of the claimed design.

1 Claim, 4 Drawing Sheets



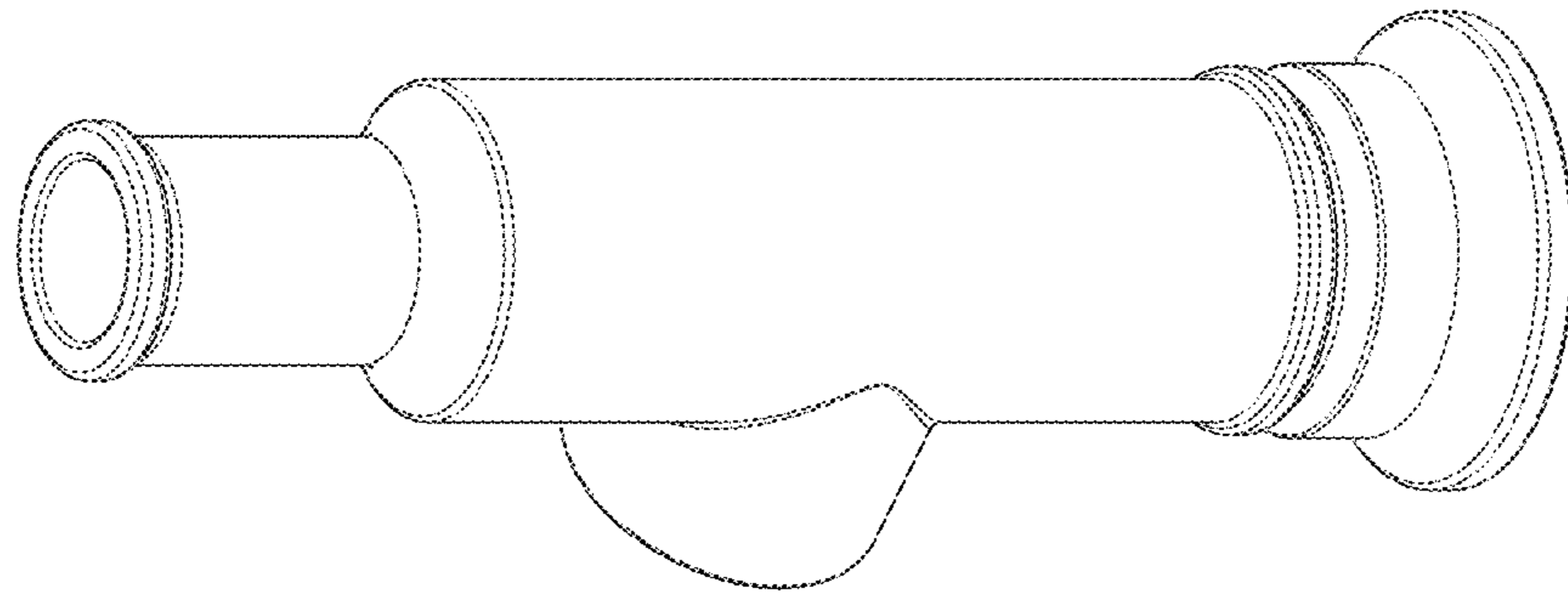


FIG - 2

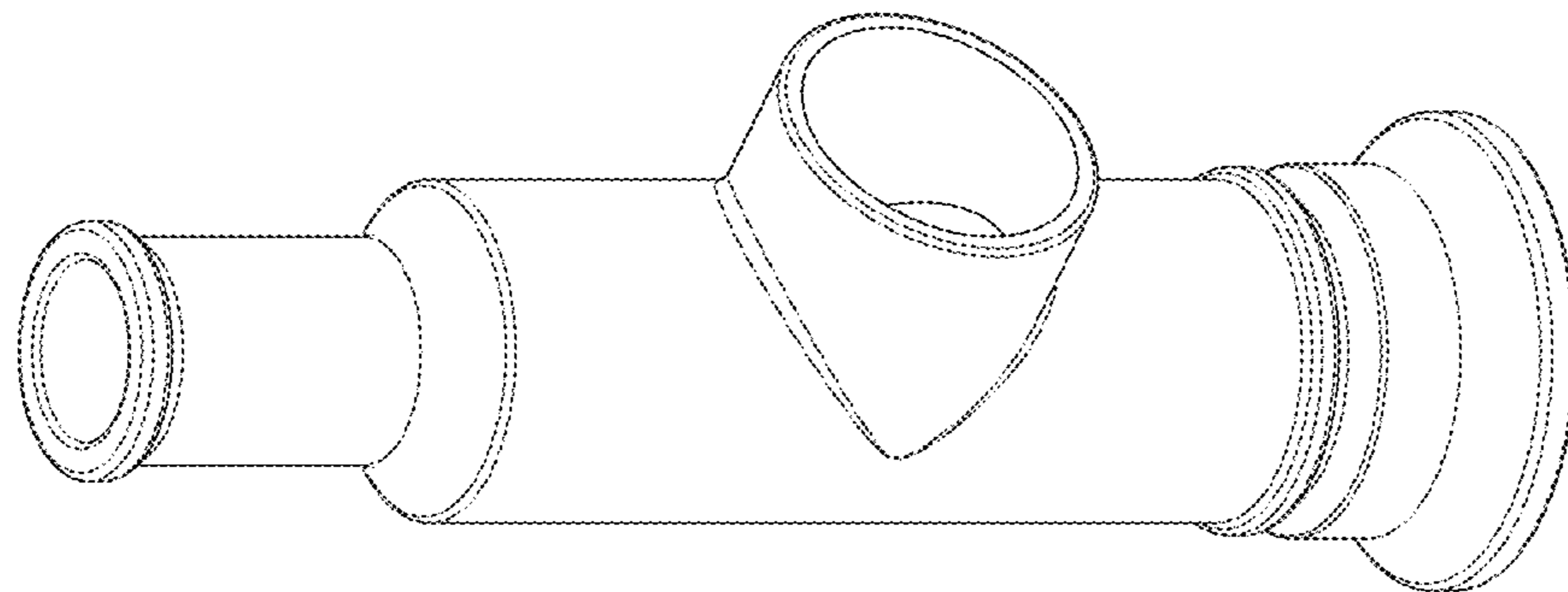


FIG - 1

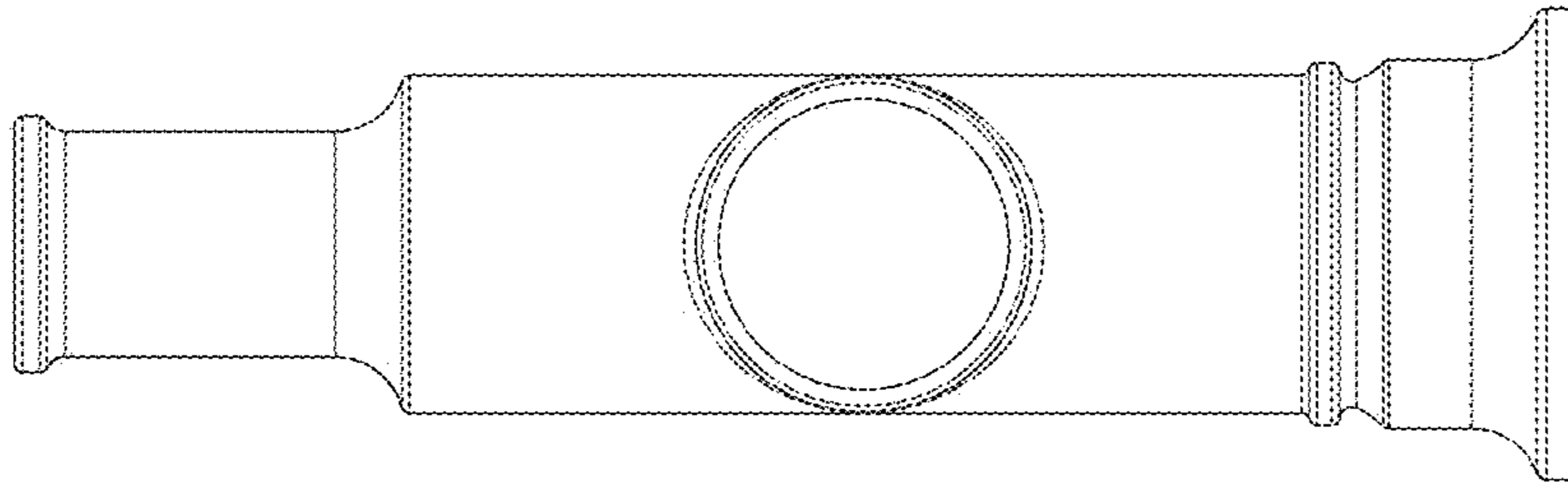


FIG - 4

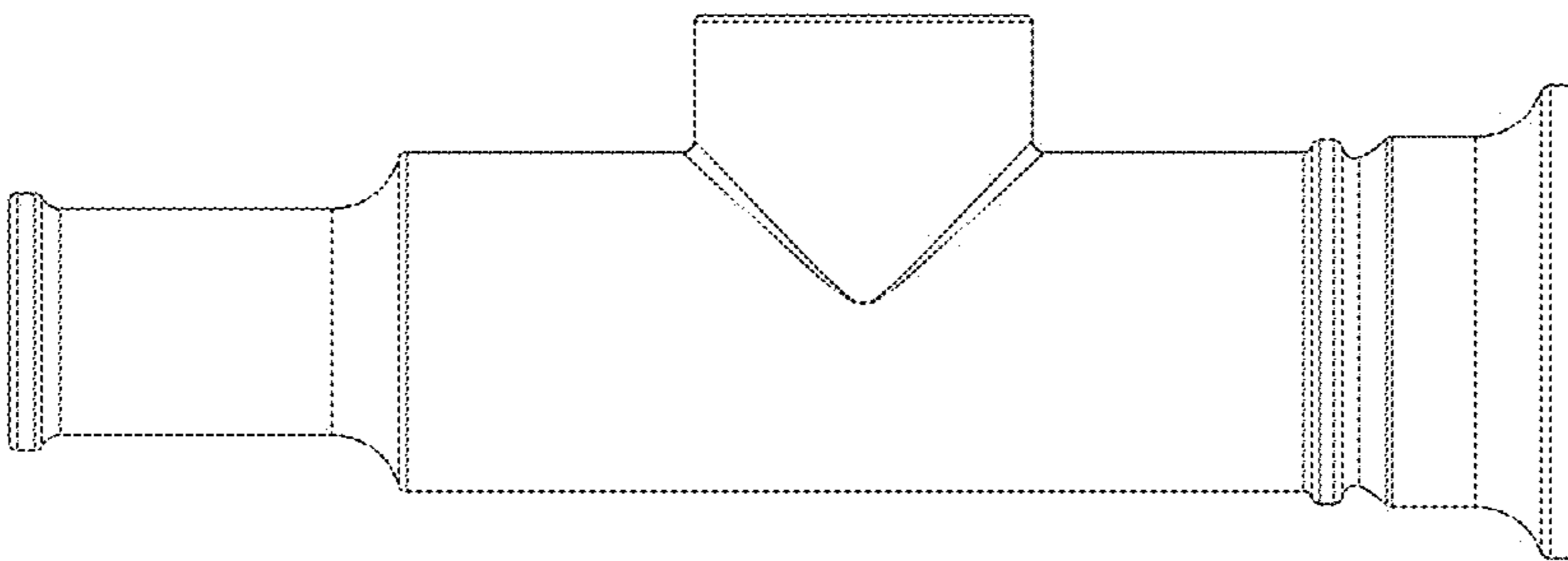


FIG - 3

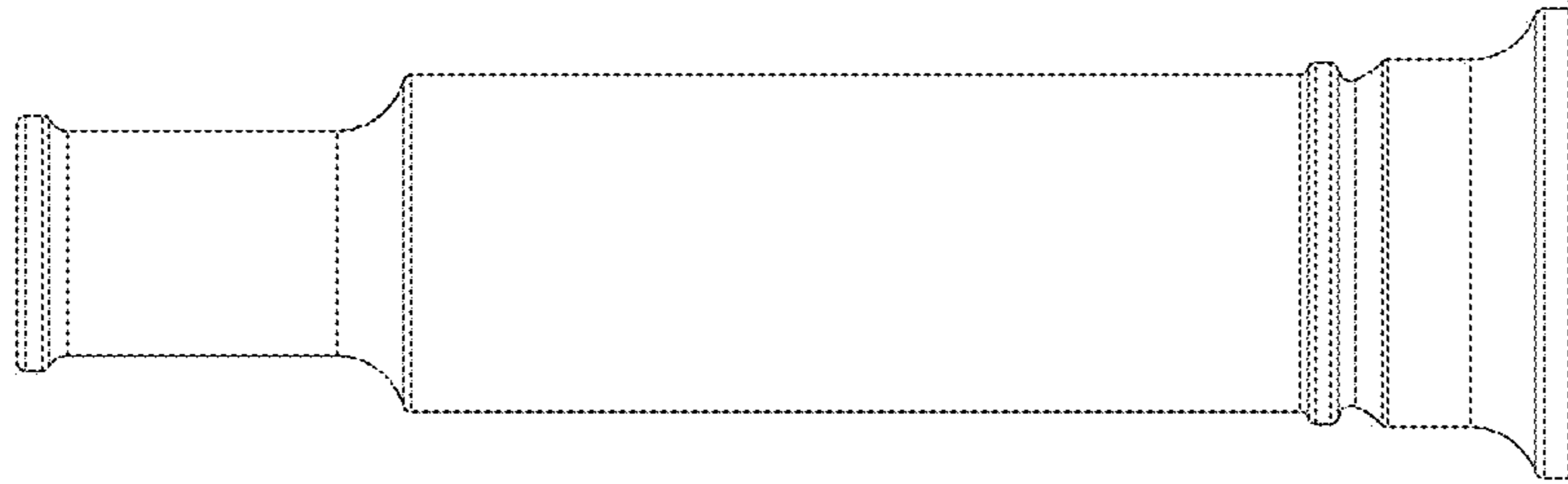


FIG - 6

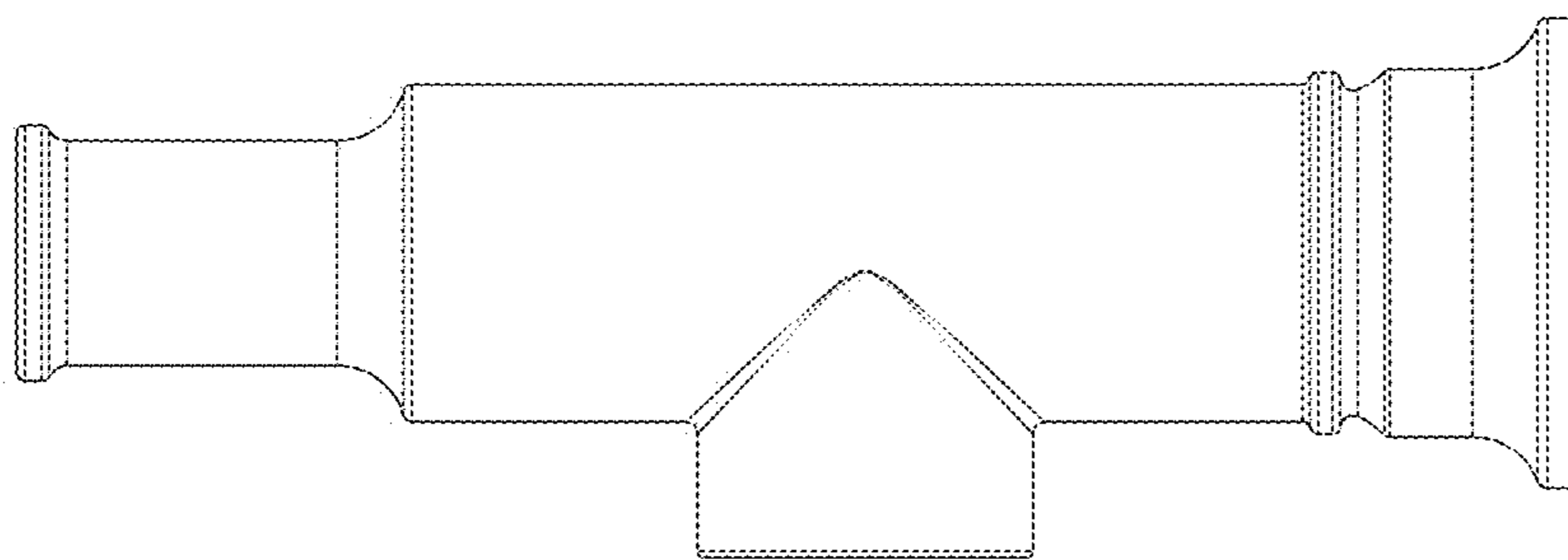


FIG - 5

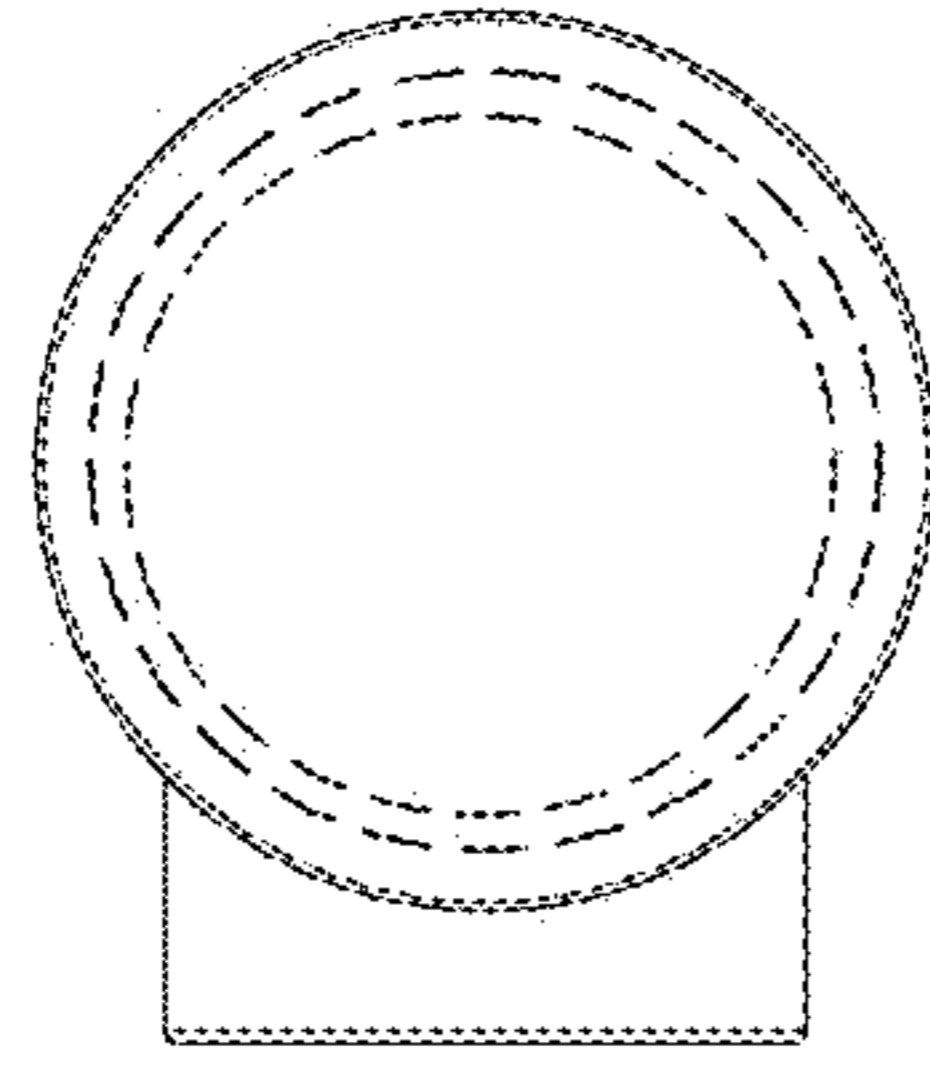


FIG - 8

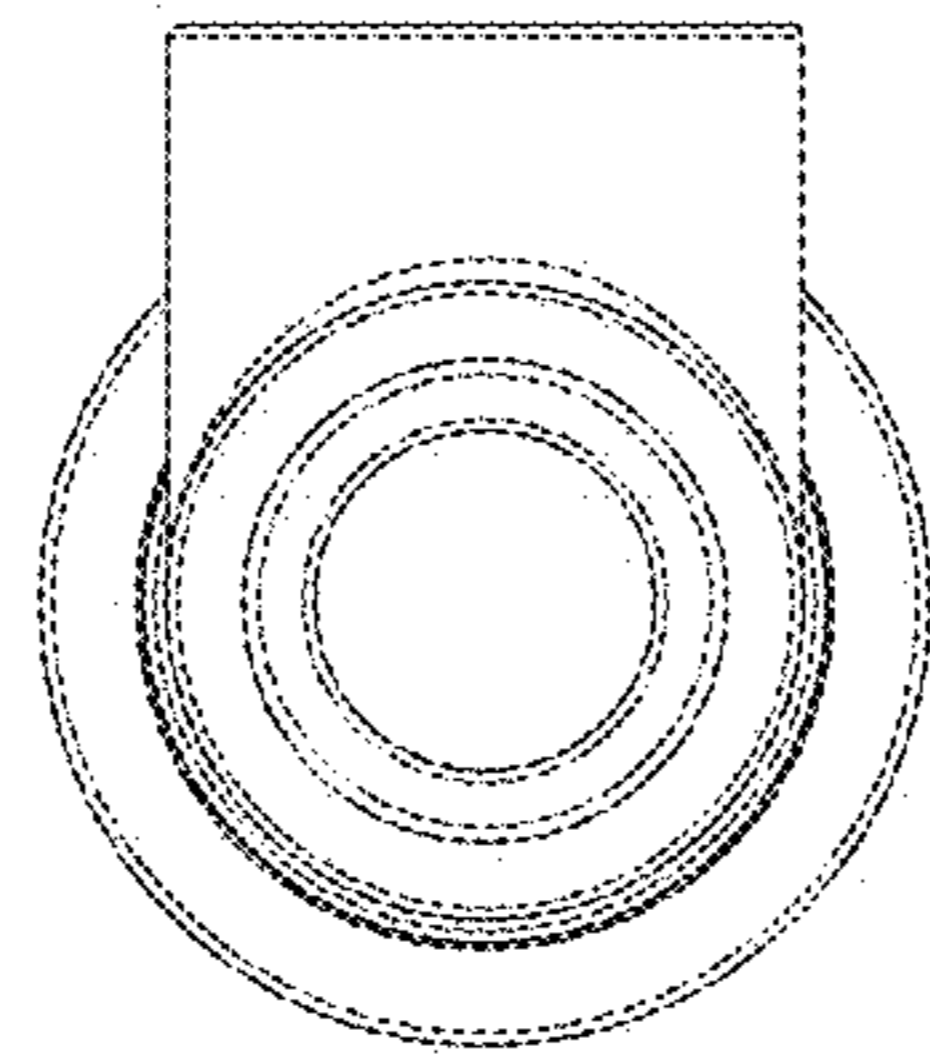


FIG - 7