

US00D947322S

(12) **United States Design Patent**
Spangler et al.

(10) **Patent No.:** **US D947,322 S**
(45) **Date of Patent:** **** Mar. 29, 2022**

(54) **FAUCET SPRAYHEAD**
(71) Applicant: **DELTA FAUCET COMPANY,**
Indianapolis, IN (US)
(72) Inventors: **Anthony G. Spangler,** Indianapolis, IN
(US); **Benjamin David Stoler,** Carmel,
IN (US)
(73) Assignee: **DELTA FAUCET COMPANY,**
Indianapolis, IN (US)
(**) Term: **15 Years**

D642,661 S *	8/2011	Corbett	D23/238
D701,942 S *	4/2014	Flowers	D23/213
D705,399 S *	5/2014	Flowers	D23/238
D754,301 S *	4/2016	Bahler	D23/255
D797,240 S *	9/2017	Potter	D23/238
D797,257 S *	9/2017	Potter	D23/255
D800,259 S *	10/2017	Fritz	D23/238
D803,361 S *	11/2017	Downey	D23/226
D867,526 S *	11/2019	Garland	D23/213
D867,527 S *	11/2019	Eads	D23/213
D867,532 S *	11/2019	Liao	D23/238
D868,211 S *	11/2019	Garland	D23/238
D868,938 S *	12/2019	Tentler	D23/238
D877,297 S *	3/2020	Tentler	D23/238

(Continued)

(21) Appl. No.: **29/762,622**
(22) Filed: **Dec. 17, 2020**
(51) **LOC (13) Cl.** **23-01**
(52) **U.S. Cl.**
USPC **D23/226**
(58) **Field of Classification Search**
USPC D23/213, 214, 223, 226, 228, 229, 230,
D23/238, 239, 240, 241, 242, 249, 250,
D23/255, 257
CPC B05B 1/16; B05B 1/1618; B05B 1/18;
B05B 1/185; B05B 15/62; B05B 15/652;
F16K 31/60; F16K 31/607; E03C 1/02;
E03C 1/04; E03C 1/0401; E03C 1/0402;
E03C 1/0404; E03C 1/0405; E03C
1/0408; E03C 1/06; E03C 1/063; E03C
1/066; E03C 2001/0414; E03C
2001/0415; Y10T 137/9464
See application file for complete search history.

OTHER PUBLICATIONS

GROHE 32298DC3, Sep. 1, 2019, Amazon, site visited Aug. 2,
2021: <https://www.amazon.com/dp/B07X5YRQ6S/> (Year: 2019).*

(Continued)

Primary Examiner — Jack Reickel
Assistant Examiner — Bobby W Jones, II
(74) *Attorney, Agent, or Firm* — Nirav D. Parikh; Edgar
A. Zarins

(57) **CLAIM**

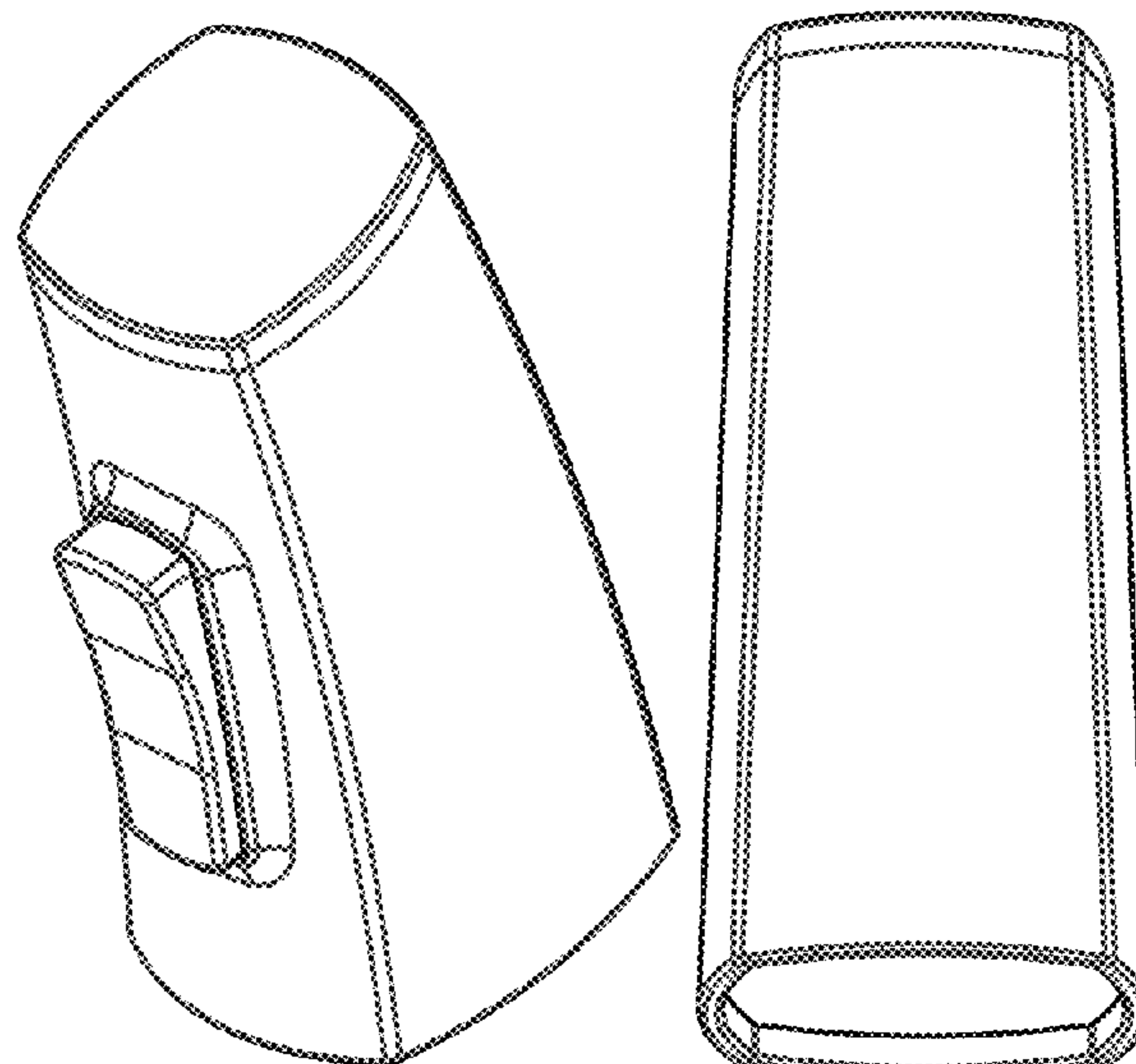
The ornamental design for a faucet sprayhead, as shown and
described.

DESCRIPTION

FIG. 1 is a front perspective view of a faucet sprayhead
showing our new design;
FIG. 2 is a rear perspective view thereof;
FIG. 3 is a front elevational view thereof;
FIG. 4 is a left side view thereof;
FIG. 5 is a rear view thereof;
FIG. 6 is a right side view thereof;
FIG. 7 is a top plan view thereof; and,
FIG. 8 is a bottom view thereof.

1 Claim, 4 Drawing Sheets

(56) **References Cited**
U.S. PATENT DOCUMENTS
D409,277 S * 5/1999 Gottwald D23/229
D410,732 S * 6/1999 Gottwald D23/229
D564,075 S * 3/2008 Williams D23/238
D620,558 S * 7/2010 Krumpe D23/238
D642,242 S * 7/2011 Corbett D23/255



(56)

References Cited

U.S. PATENT DOCUMENTS

11,053,670 B2 * 7/2021 Tracy E03C 1/0404
2007/0246564 A1 * 10/2007 Rodenbeck E03C 1/057
239/67
2009/0120516 A1 * 5/2009 Painsi E03C 1/0404
137/605
2012/0267493 A1 * 10/2012 Meehan E03C 1/057
248/224.8
2016/0025246 A1 * 1/2016 Nelson E03C 1/025
285/8
2021/0079634 A1 * 3/2021 Rosandich E03C 1/0405

OTHER PUBLICATIONS

Delta P7919LF, Feb. 13, 2018, Amazon, site visited Aug. 2, 2021:
<https://www.amazon.com/dp/B079SW7HDX/> (Year: 2018).*

* cited by examiner

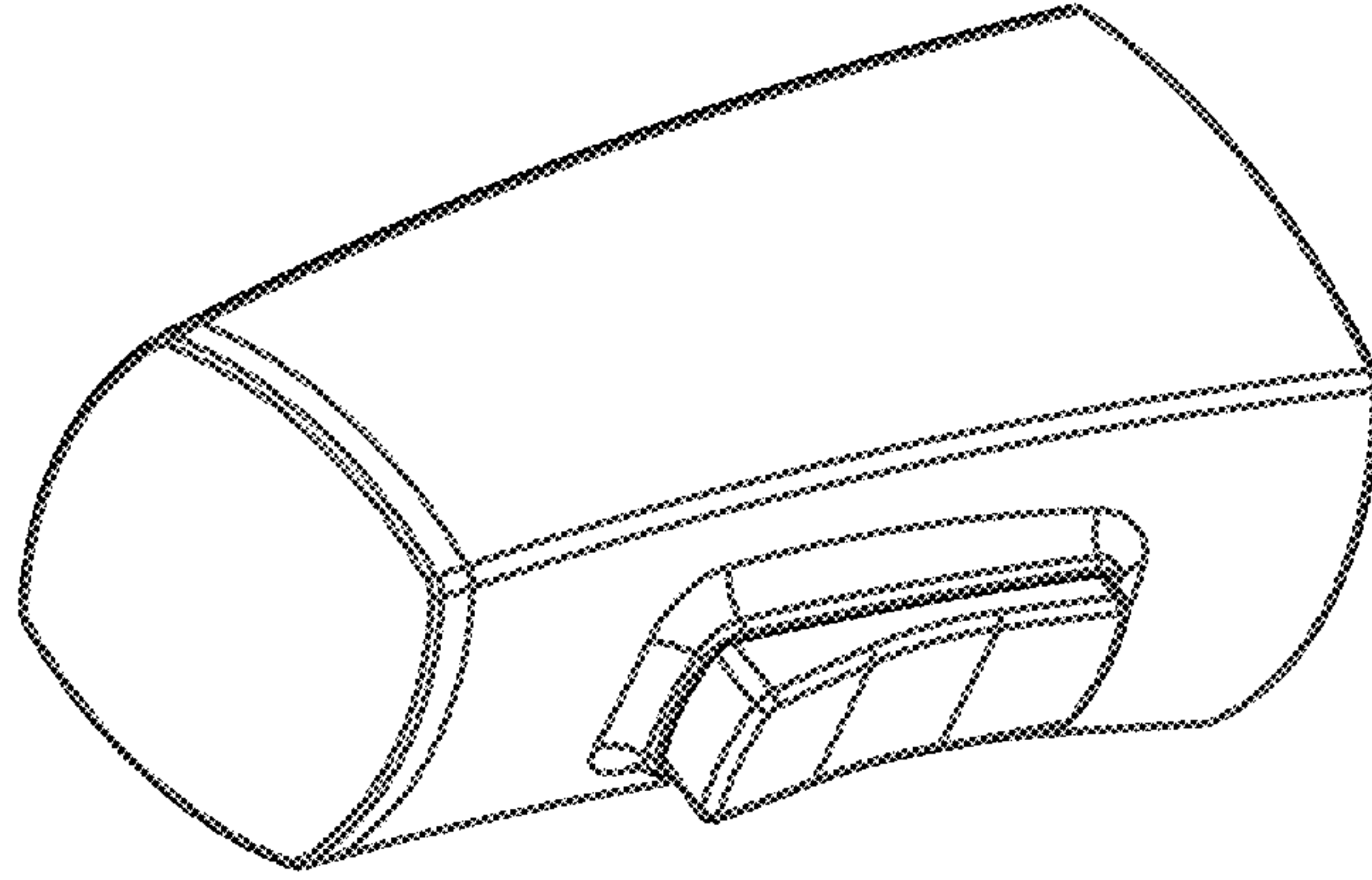


FIG - 2

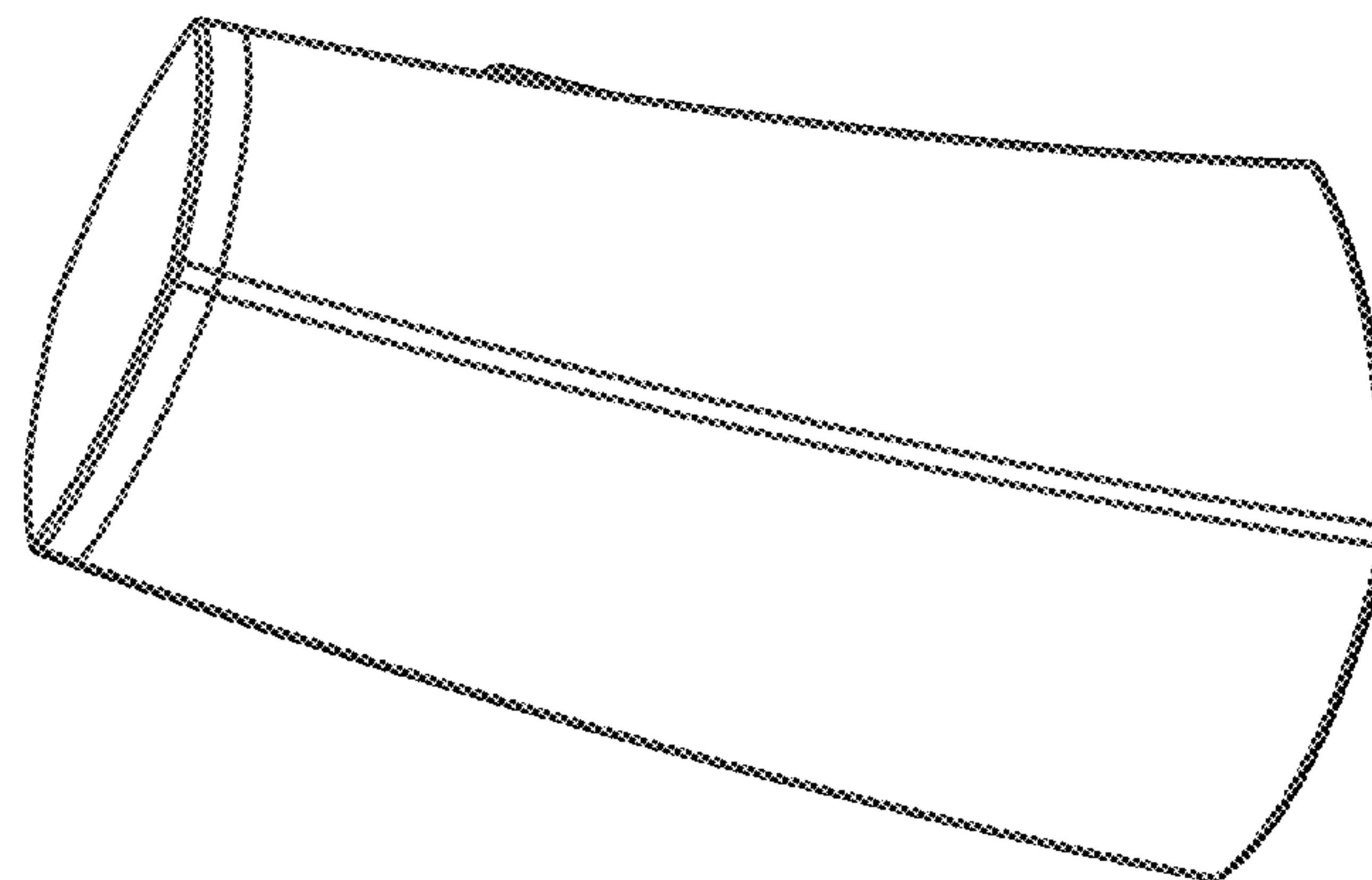


FIG - 1

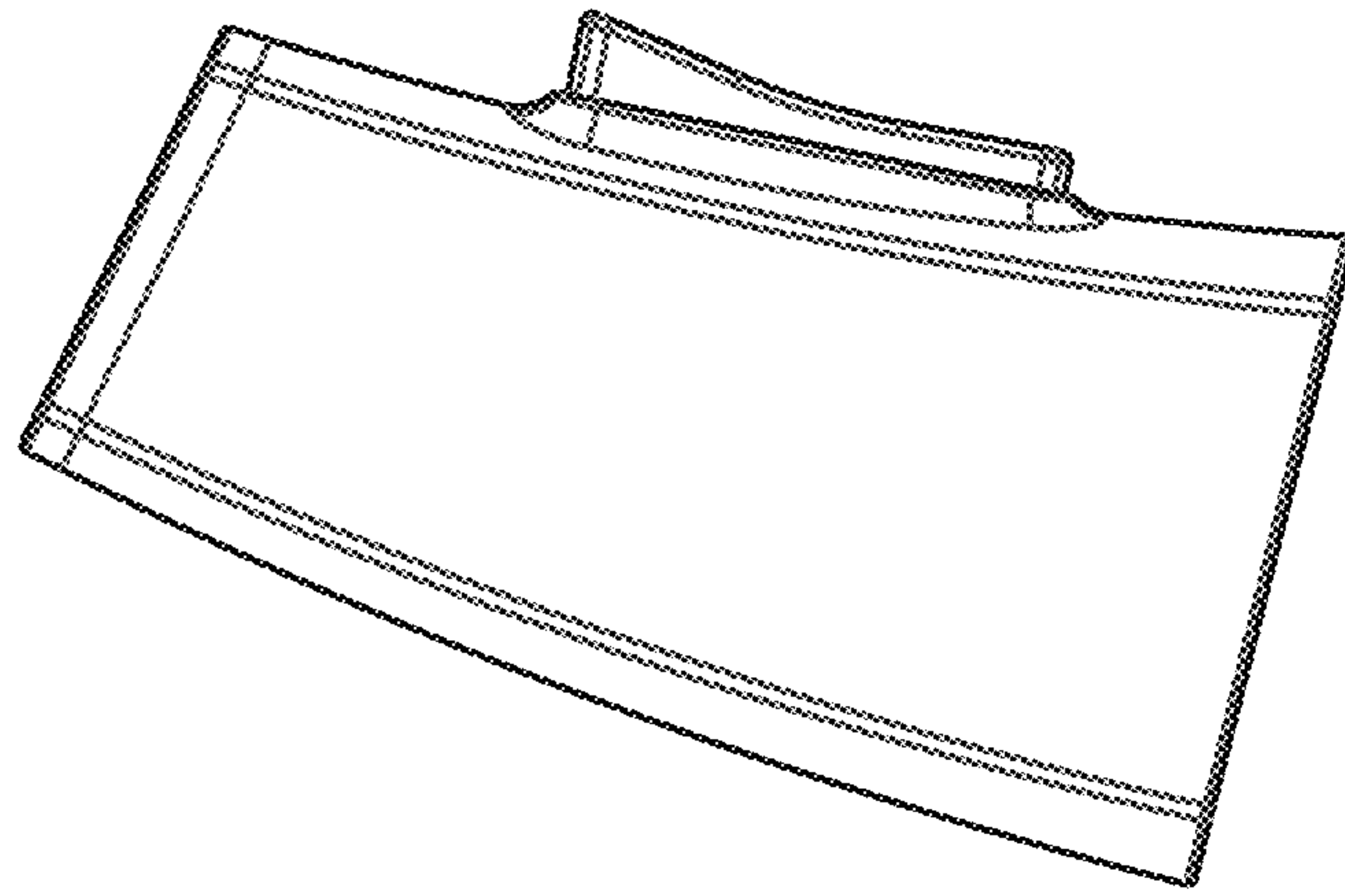


FIG - 4

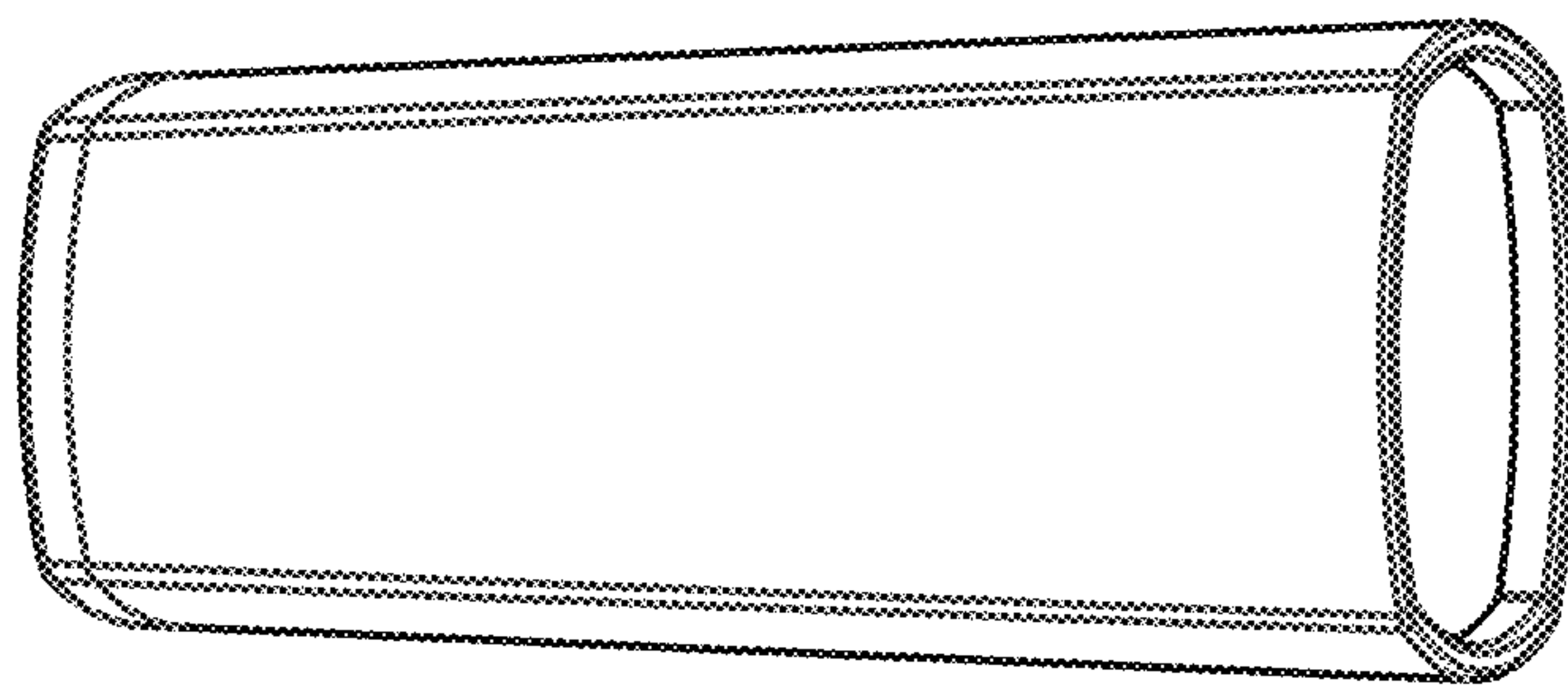


FIG - 3

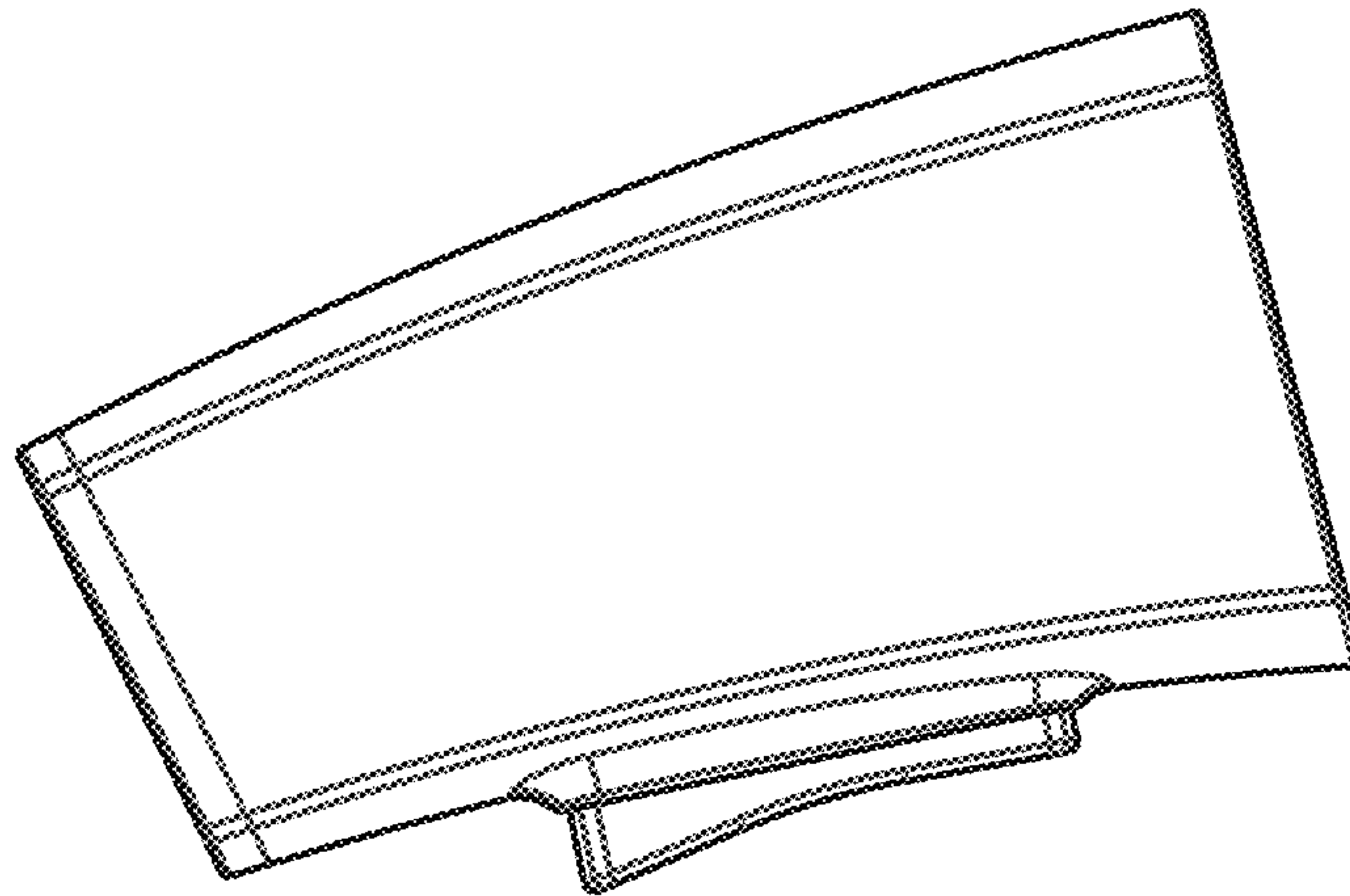


FIG - 6

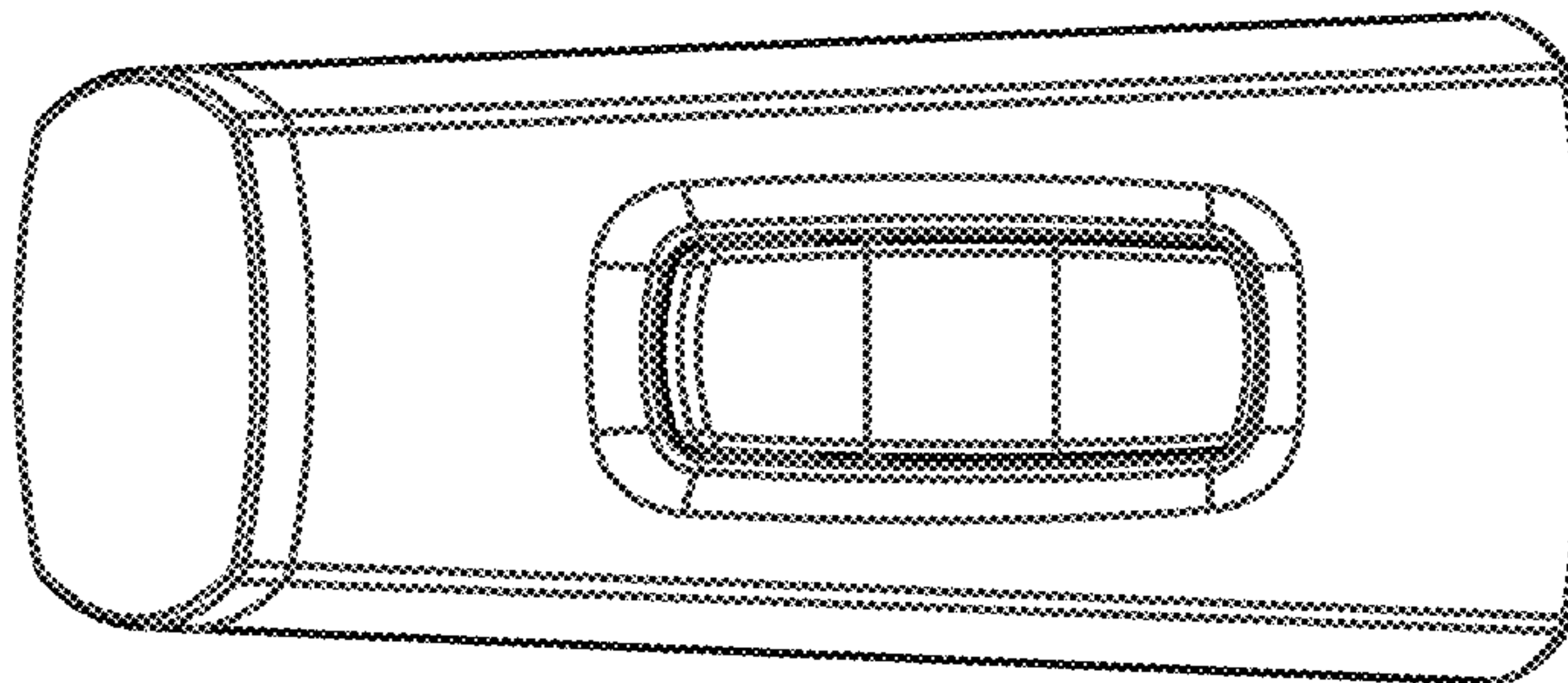


FIG - 5

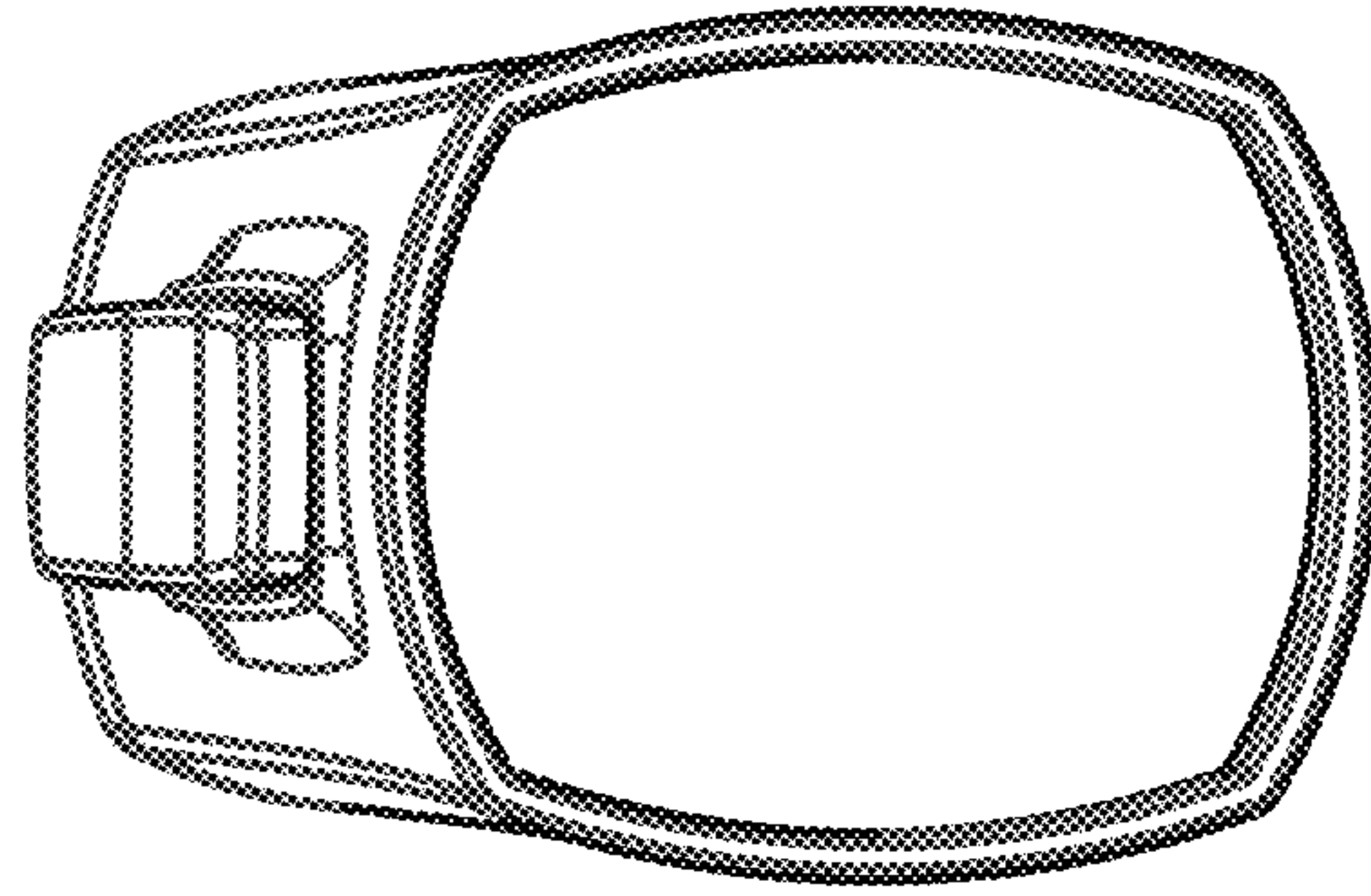


FIG - 8

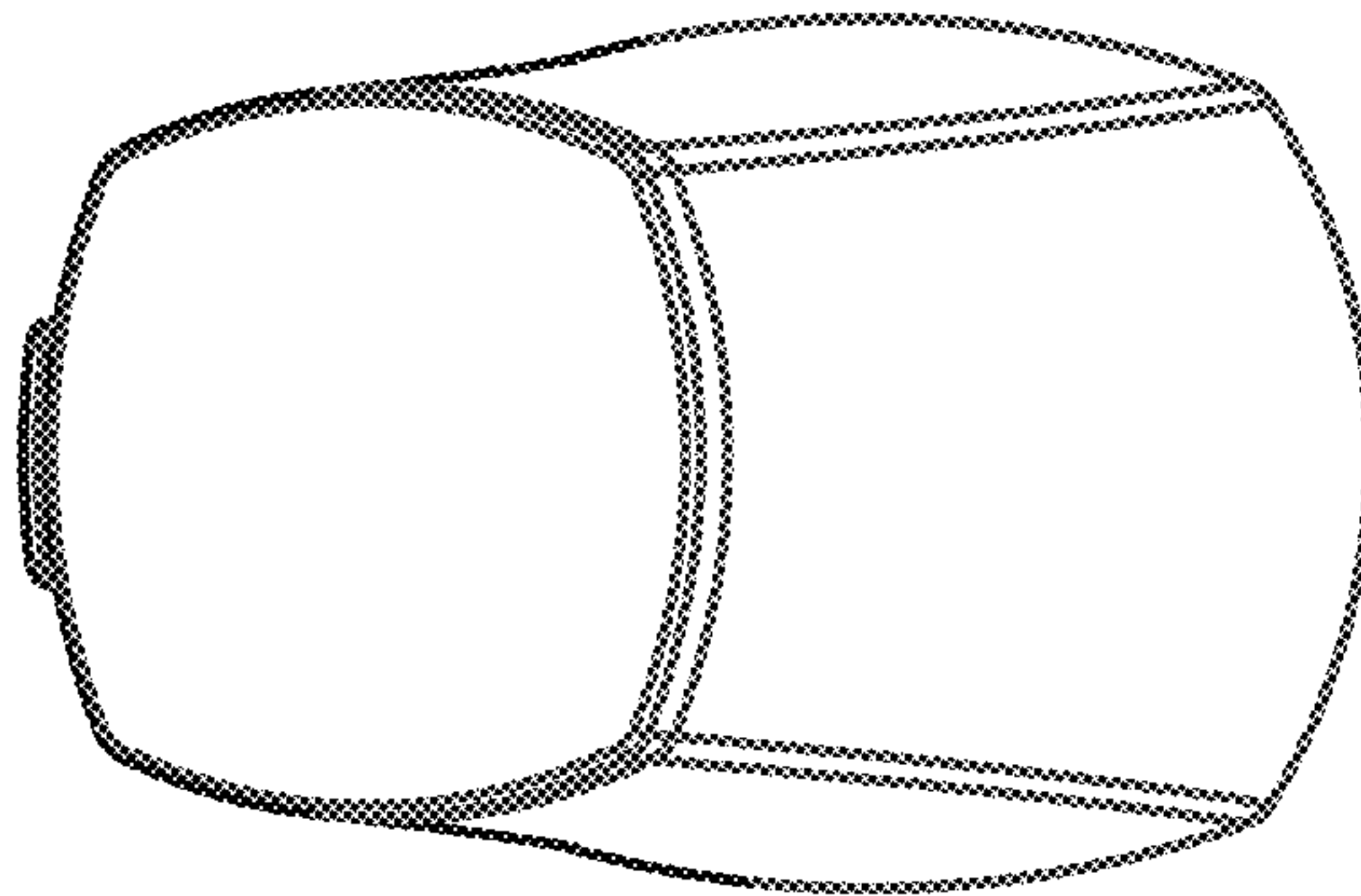


FIG - 7