



US00D947321S

(12) **United States Design Patent**
Stoler

(10) **Patent No.:** **US D947,321 S**
(45) **Date of Patent:** **** Mar. 29, 2022**

- (54) **FAUCET SPRAYHEAD**
- (71) Applicant: **DELTA FAUCET COMPANY**,
Indianapolis, IN (US)
- (72) Inventor: **Benjamin Stoler**, Carmel, IN (US)
- (73) Assignee: **DELTA FAUCET COMPANY**,
Indianapolis, IN (US)
- (**) Term: **15 Years**
- (21) Appl. No.: **29/746,499**
- (22) Filed: **Aug. 14, 2020**
- (51) **LOC (13) Cl.** **23-01**
- (52) **U.S. Cl.**
USPC **D23/226**
- (58) **Field of Classification Search**
USPC D23/213, 214, 223, 226, 228, 229, 230,
D23/238, 239, 240, 241, 242, 249, 250,
D23/255, 257
CPC B05B 1/16; B05B 1/1618; B05B 1/18;
B05B 1/185; B05B 15/62; B05B 15/652;
F16K 31/60; F16K 31/607; E03C 1/02;
E03C 1/04; E03C 1/0401; E03C 1/0402;
E03C 1/0404; E03C 1/0405; E03C
1/0408; E03C 1/06; E03C 1/063; E03C
1/066; E03C 2001/0414; E03C
2001/0415; Y10T 137/9464
See application file for complete search history.

- D871,547 S * 12/2019 Eads D23/238
 - D873,379 S * 1/2020 Fritz D23/238
 - D877,296 S * 3/2020 Tentler D23/238
 - D881,341 S * 4/2020 Garland D23/213
 - 2007/0267073 A1* 11/2007 Williams E03C 1/04
137/606
 - 2011/0272490 A1* 11/2011 Bosio B05B 1/3013
239/436
 - 2016/0083942 A1* 3/2016 Li E03C 1/04
4/678
 - 2016/0146358 A1* 5/2016 Lin E03C 1/0405
137/607
 - 2018/0126393 A1* 5/2018 Wang B05B 1/185
- (Continued)

OTHER PUBLICATIONS

Moen 87028SRS, Sep. 3, 2017, Amazon, site visited Aug. 2, 2021:
<https://www.amazon.com/dp/B075CJGG6F/> (Year: 2017).*

(Continued)

Primary Examiner — Jack Reickel
Assistant Examiner — Bobby W Jones, II
(74) *Attorney, Agent, or Firm* — Nirav D. Parikh; Edgar
A. Zarins

(57) **CLAIM**

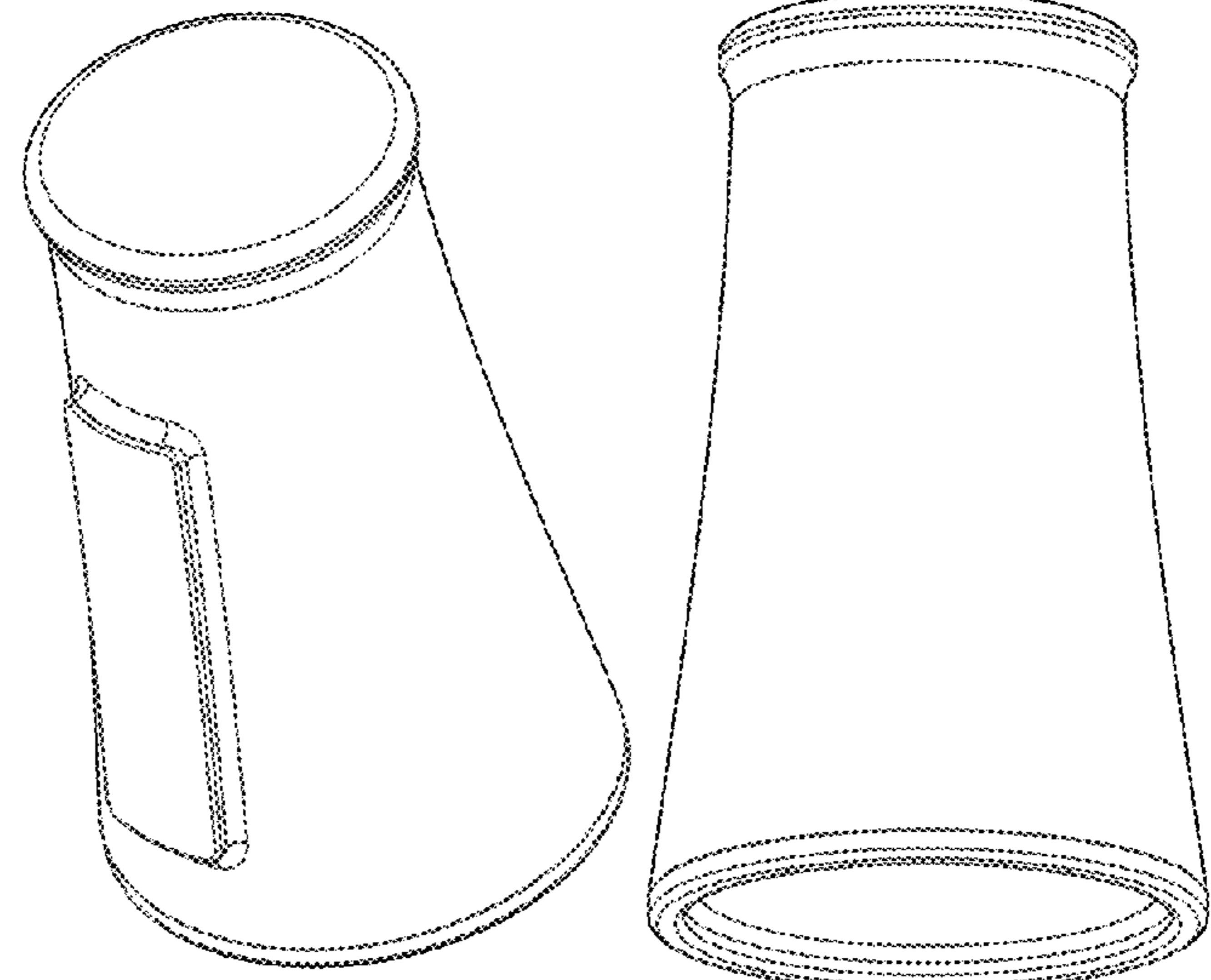
The ornamental design for a faucet sprayhead, as shown and described.

DESCRIPTION

FIG. 1 is a front perspective view of a faucet sprayhead showing my new design;
FIG. 2 is a rear perspective view thereof;
FIG. 3 is a front elevational view thereof;
FIG. 4 is a left side view thereof;
FIG. 5 is a rear view thereof;
FIG. 6 is a right side view thereof;
FIG. 7 is a top plan view thereof; and,
FIG. 8 is a bottom view thereof.

1 Claim, 4 Drawing Sheets

- (56) **References Cited**
U.S. PATENT DOCUMENTS
- D589,598 S * 3/2009 Montgomery D23/250
- D602,125 S * 10/2009 Montgomery D23/255
- D655,398 S * 3/2012 Bosio D23/255
- D704,305 S * 5/2014 Flowers D23/242
- D846,709 S * 4/2019 Chen D23/226
- D863,507 S * 10/2019 Zhang D23/238
- D870,235 S * 12/2019 Tentler D23/213
- D870,845 S * 12/2019 Eads D23/213



(56)

References Cited

U.S. PATENT DOCUMENTS

2019/0040611 A1* 2/2019 Zhu B05B 15/65
2019/0063049 A1* 2/2019 Wang F16K 37/0033
2019/0145085 A1* 5/2019 Liao B05B 1/1609
137/801
2019/0184409 A1* 6/2019 Wang B05B 1/3013
2020/0048879 A1* 2/2020 Hadfield E03C 1/0404
2020/0063407 A1* 2/2020 Zhu E03C 1/0404
2021/0015247 A1* 1/2021 Wu A46B 11/063

OTHER PUBLICATIONS

Delta 9197-AR-PR-DST, Apr. 14, 2019, Amazon, site visited Aug. 2, 2021: <https://www.amazon.com/dp/B087N8NF6S/> (Year: 2019).*
Pfister LG531YPY, Apr. 8, 2016, Amazon, site visited Aug. 2, 2021: <https://www.amazon.com/dp/B01DZS0B84/> (Year: 2016).*

* cited by examiner

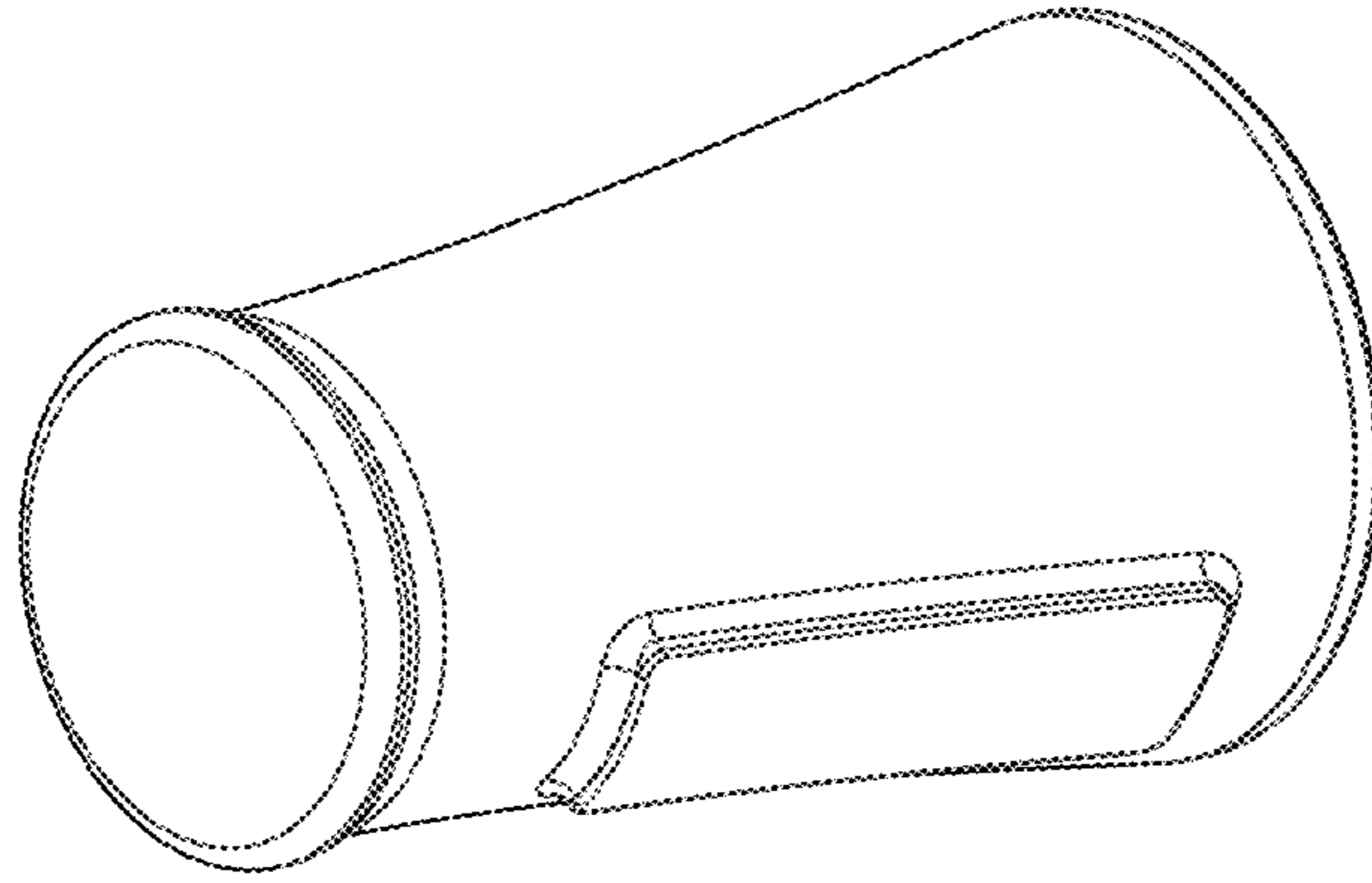


FIG - 2

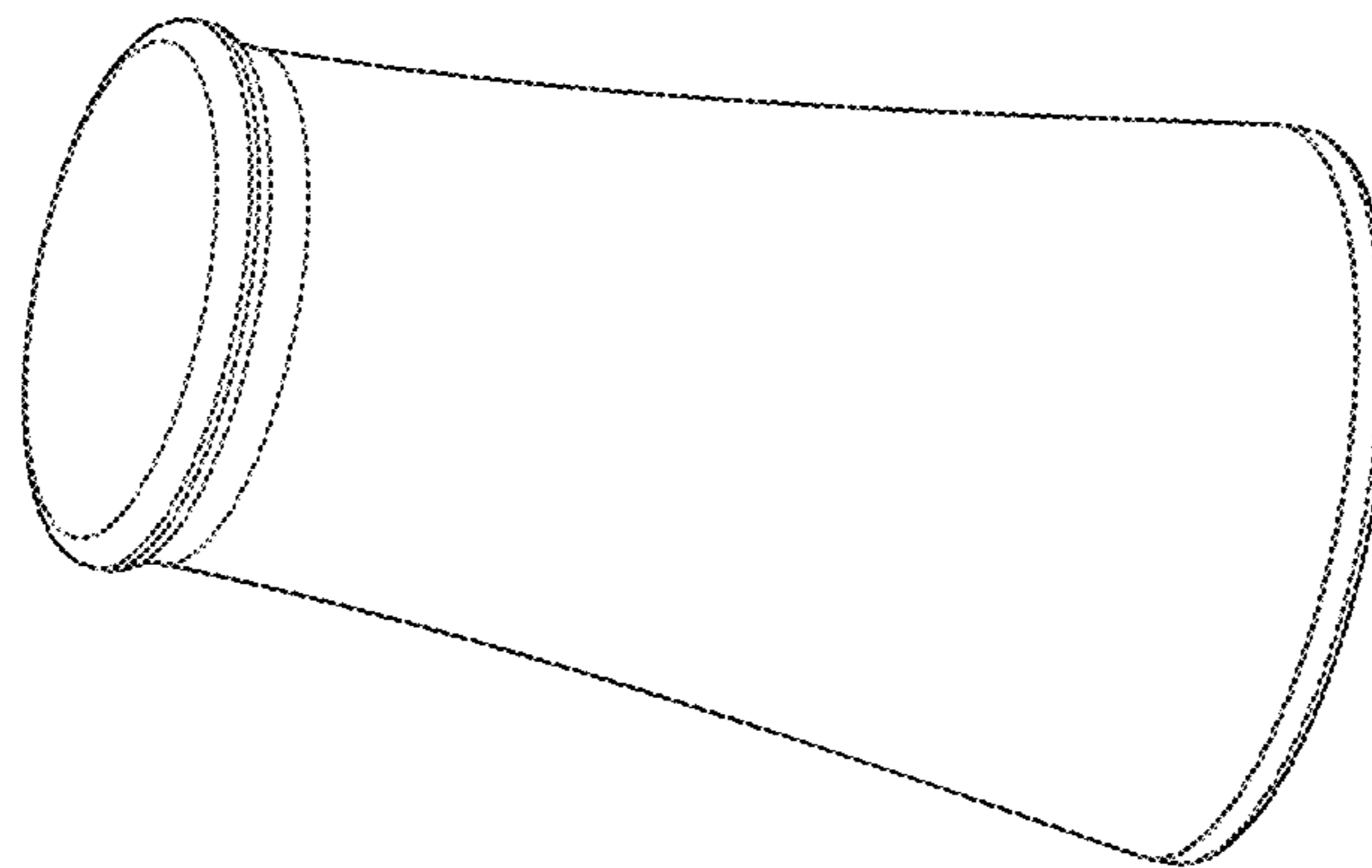


FIG - 1

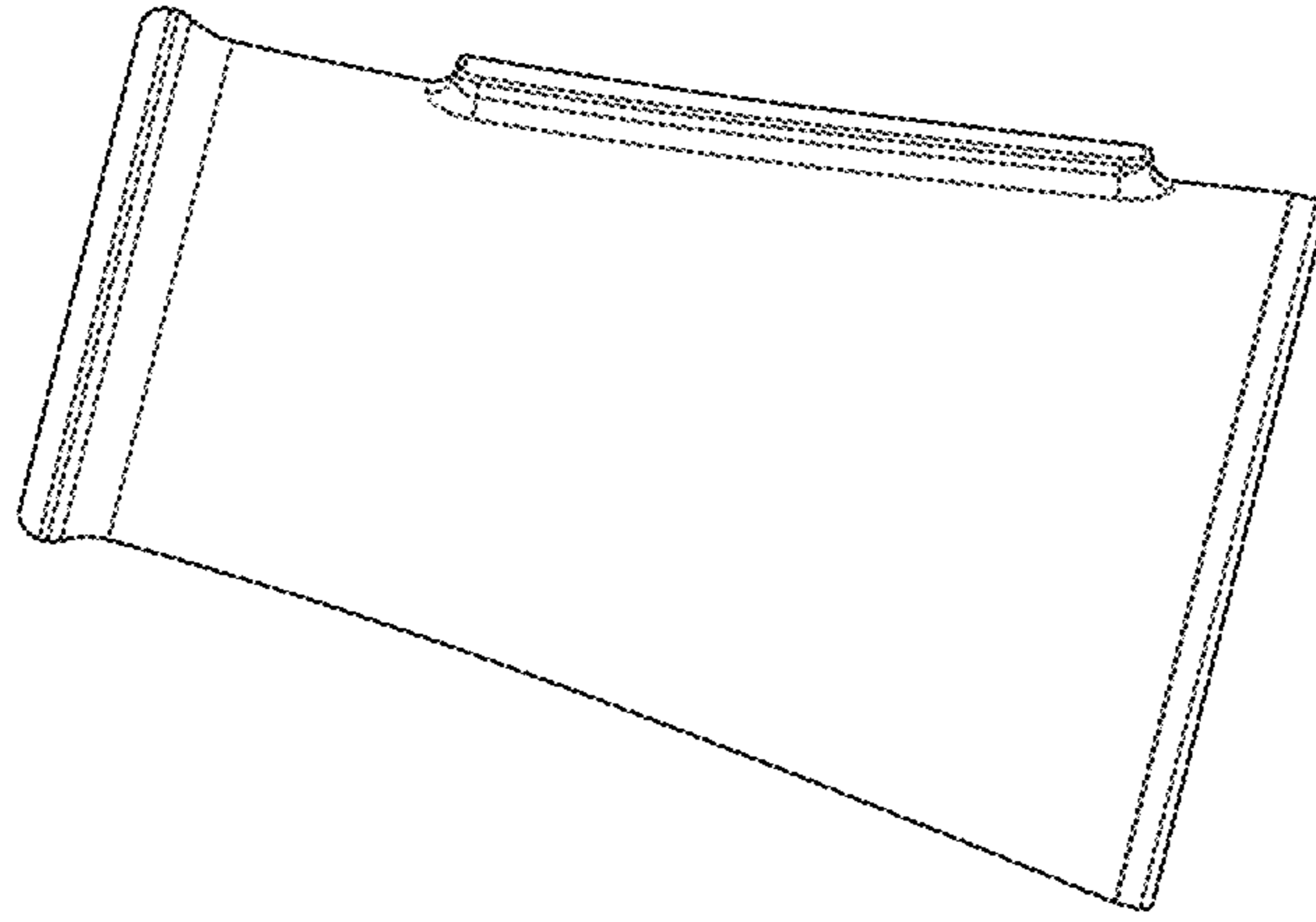


FIG - 4

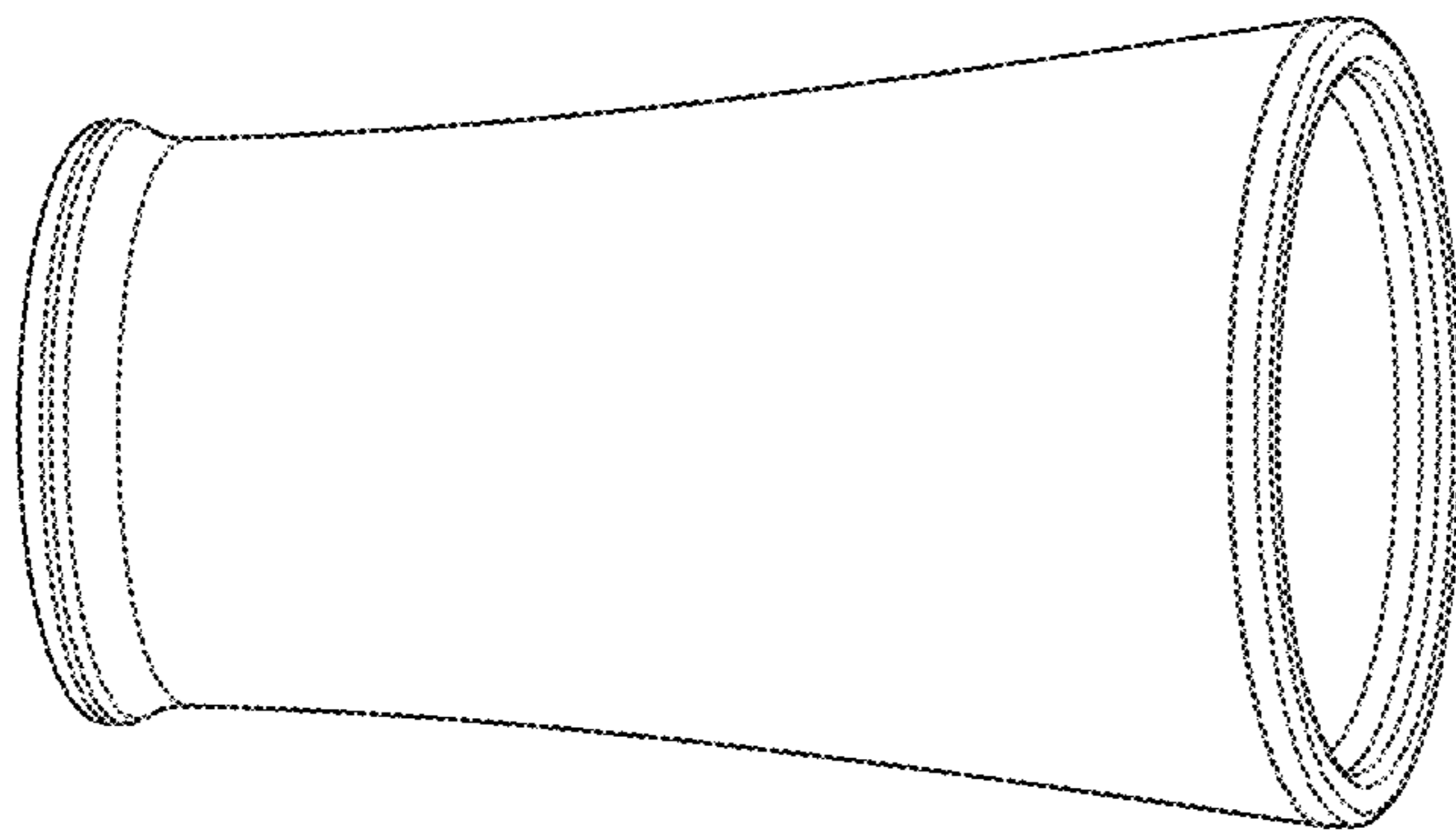


FIG - 3

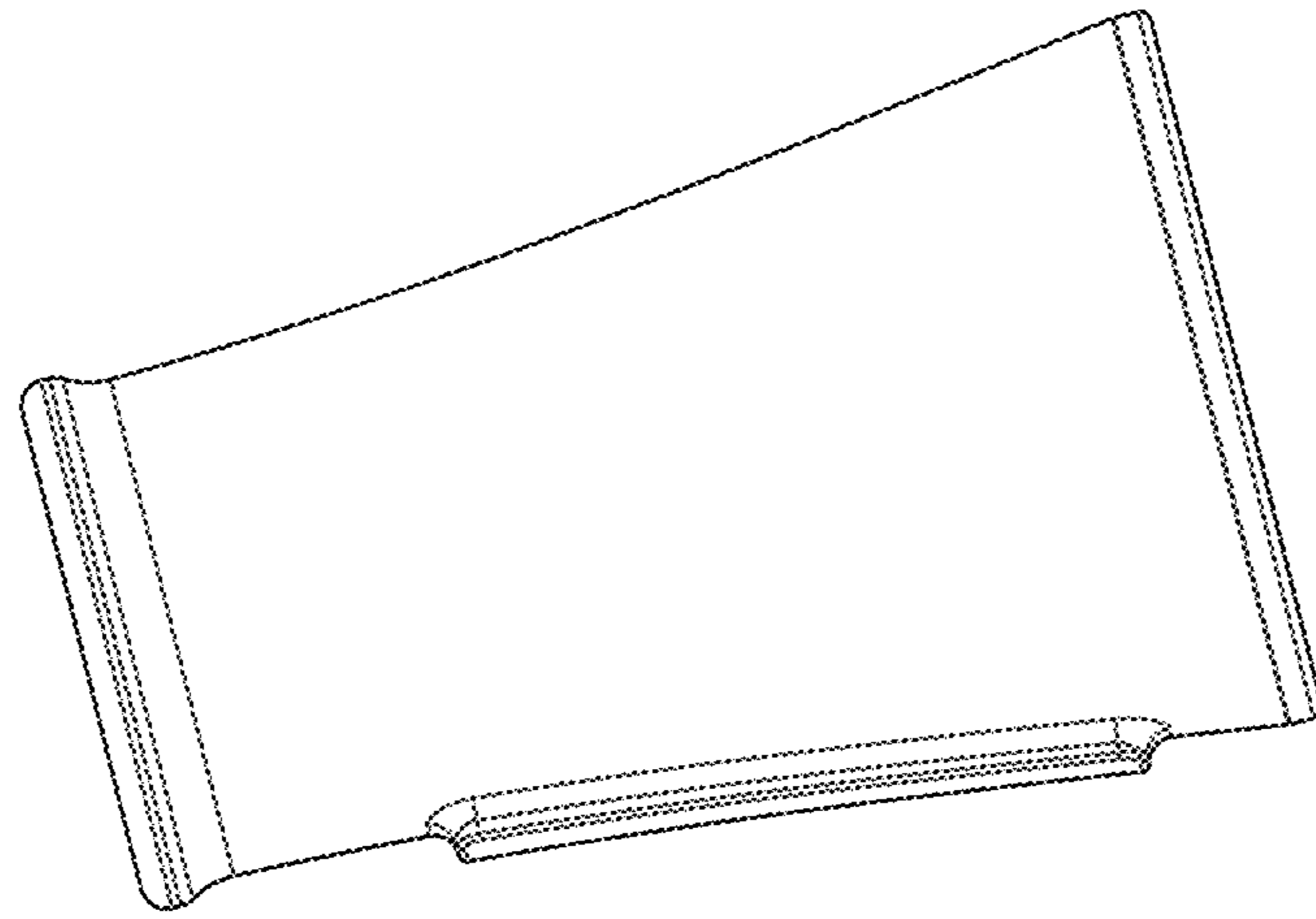


FIG - 6

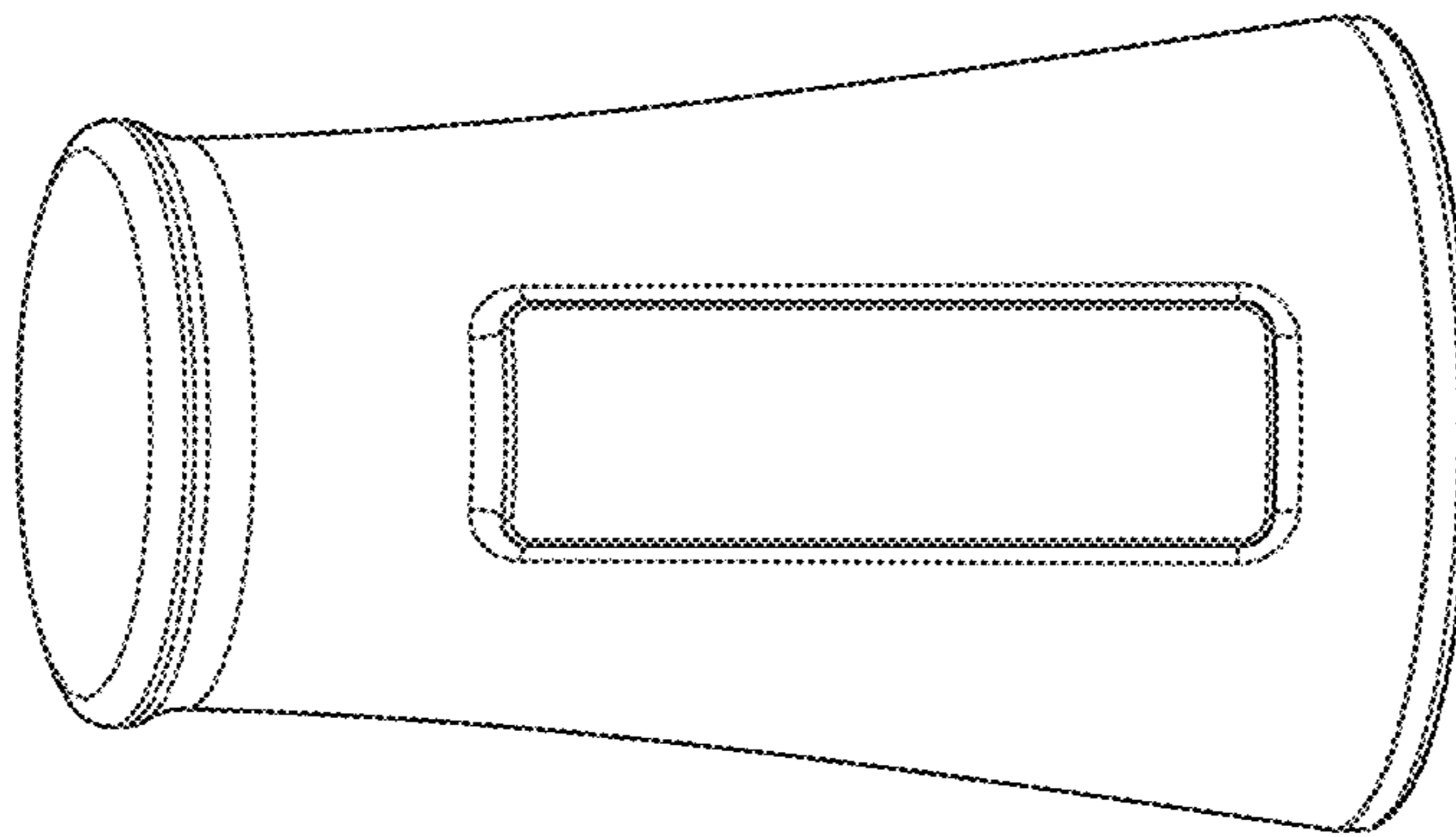


FIG - 5

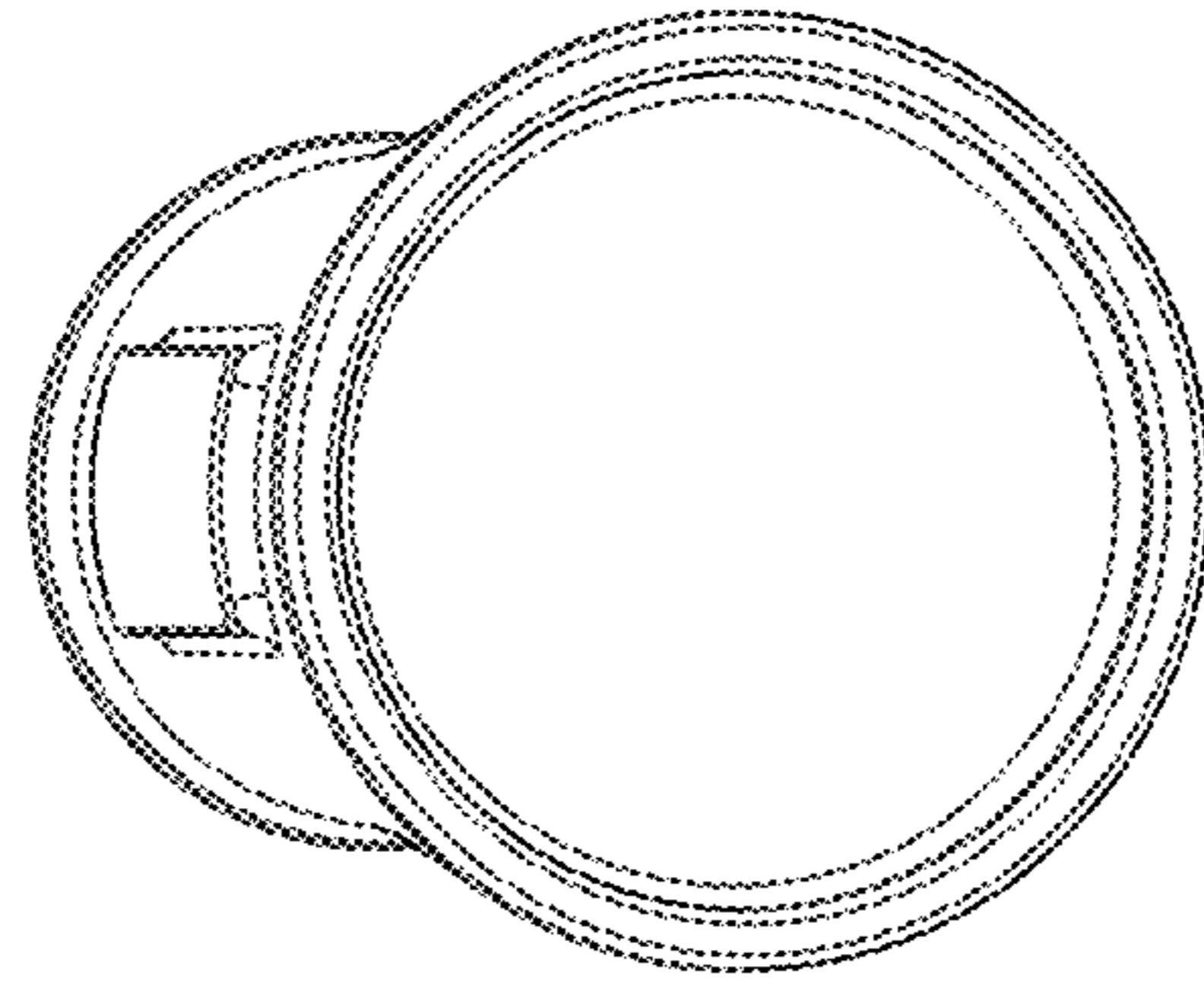


FIG - 8

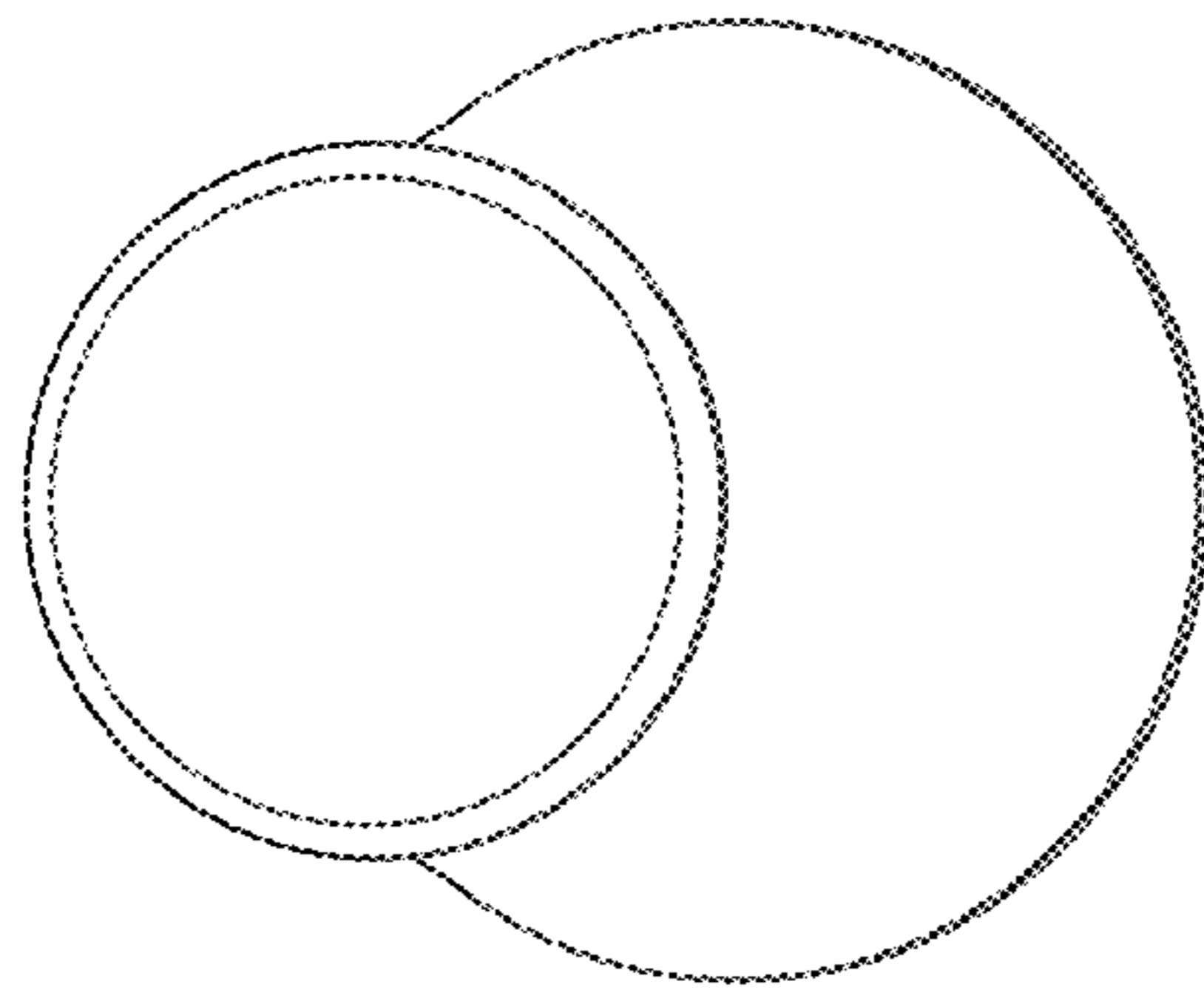


FIG - 7