



US00D947320S

(12) **United States Design Patent**
Rigolio

(10) **Patent No.:** **US D947,320 S**

(45) **Date of Patent:** **** Mar. 29, 2022**

- (54) **POLYURETHANE FOAM GUN**
- (71) Applicant: **Riccardo Rigolio**, Olgiate Olona (IT)
- (72) Inventor: **Riccardo Rigolio**, Olgiate Olona (IT)
- (**) Term: **15 Years**
- (21) Appl. No.: **29/722,458**
- (22) Filed: **Jan. 30, 2020**

D613,820	S	*	4/2010	Chou	D23/223
D685,058	S	*	6/2013	Rigolio	D23/226
D780,892	S	*	3/2017	Carlson	D23/226
D791,914	S	*	7/2017	Sichien	D23/226
9,808,816	B1	*	11/2017	Enriquez	B65D 83/207
D858,698	S	*	9/2019	Arino	D23/213
10,639,658	B1	*	5/2020	Enriquez	B05B 9/01
2003/0116647	A1	*	6/2003	Brown	B29B 7/7447
						239/414
2008/0295768	A1	*	12/2008	Micheli	B05B 7/02
						118/300

(Continued)

(30) **Foreign Application Priority Data**

Jul. 30, 2019 (EM) 006652327

(51) **LOC (13) Cl.** **23-01**

(52) **U.S. Cl.**
USPC **D23/226**

(58) **Field of Classification Search**
USPC D23/207, 213, 223, 225, 226, 356, 360;
D8/29.1, 30; D15/9, 144, 144.2
CPC .. B05B 5/025; B05B 5/03; B05B 5/16; B05B
5/1691; B05B 7/0018; B05B 7/0093;
B05B 7/02; B05B 7/06; B05B 7/062;
B05B 7/064; B05B 7/12; B05B 7/129;
B05B 7/24; B05B 7/2475; B05B 7/2478;
B05B 15/60; B05B 15/63; B05B 9/01;
F23D 14/38; F23D 14/42
See application file for complete search history.

(56) **References Cited**

U.S. PATENT DOCUMENTS

3,633,795	A	*	1/1972	Brooks	B05B 7/1209
						222/134
D510,407	S	*	10/2005	Schiller	D23/225
D553,709	S	*	10/2007	Huang	D23/223
D553,710	S	*	10/2007	Huang	D23/223
D567,333	S	*	4/2008	Rigolio	D23/226
D582,511	S	*	12/2008	Downey	D23/223
D591,397	S	*	4/2009	Rigolio	D23/226
D607,086	S	*	12/2009	Kosaka	D23/226
D608,857	S	*	1/2010	Chou	D23/223

OTHER PUBLICATIONS

Auto-plaza Pu Expanding Caulking Gun, Oct. 12, 2019, Amazon, site visited Sep. 20, 2021: <https://www.amazon.ca/dp/B07Z2464XX/> (Year: 2019).*

(Continued)

Primary Examiner — Jack Reickel
Assistant Examiner — Bobby W Jones, II
(74) *Attorney, Agent, or Firm* — Jacobson Holman PLLC

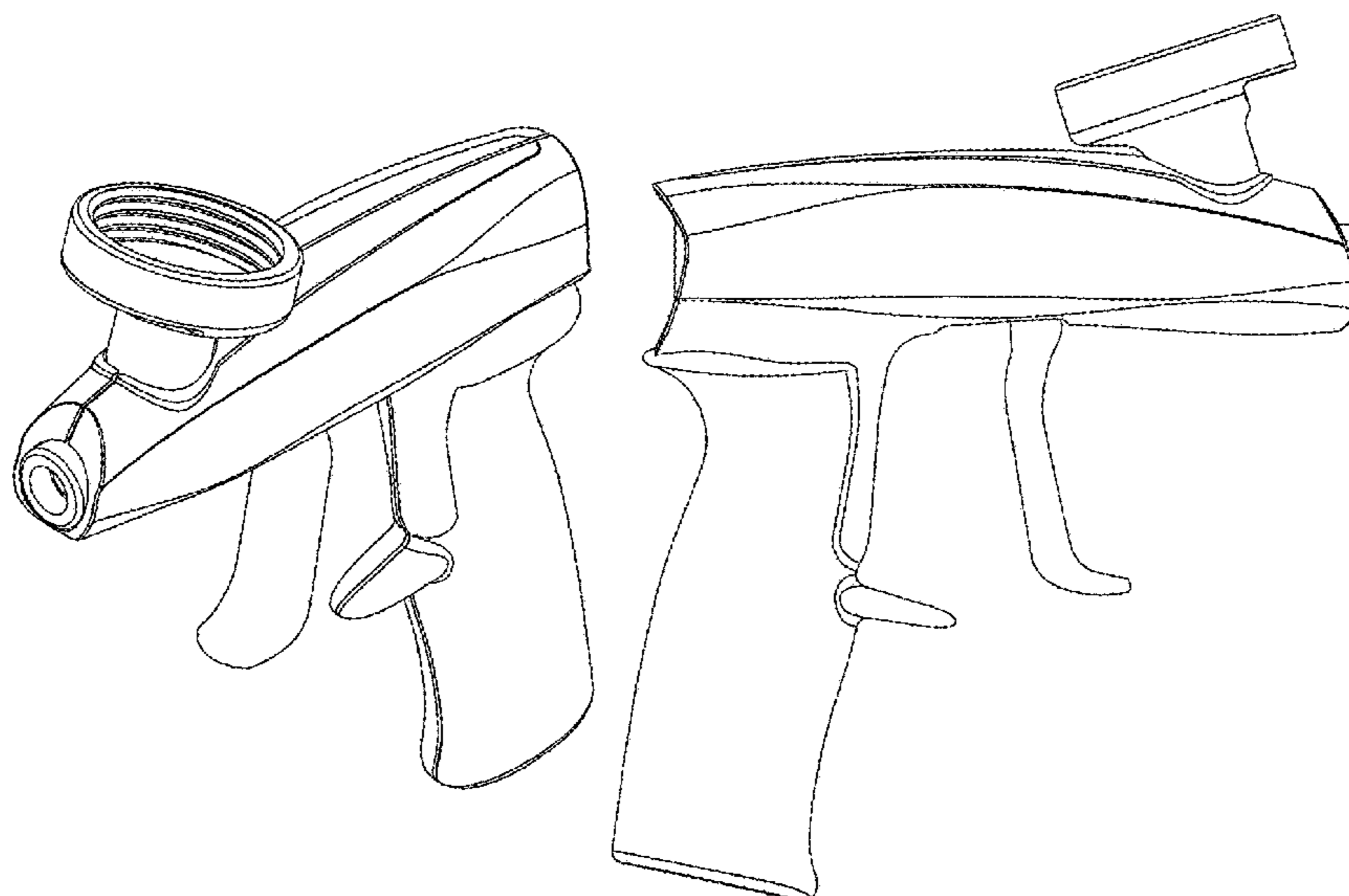
(57) **CLAIM**

I claim the ornamental design for a polyurethane foam gun, as shown and described.

DESCRIPTION

FIG. 1 shows a perspective view of a polyurethane foam gun; FIG. 2 shows a front elevational view of FIG. 1; FIG. 3 shows a left side elevational view of FIG. 1; FIG. 4 shows a back elevational view of FIG. 1; FIG. 5 shows a right side elevational view of FIG. 1; FIG. 6 shows a top plan view of FIG. 1; and, FIG. 7 shows a bottom view of FIG. 1. The broken lines are for illustrative purposes only and illustrate portions of the polyurethane foam gun that form no part of the claimed design.

1 Claim, 7 Drawing Sheets



(56)

References Cited

U.S. PATENT DOCUMENTS

2009/0057441 A1* 3/2009 Chiang B05B 7/2478
239/300
2015/0217311 A1* 8/2015 Scherich B05B 7/129
239/373
2017/0209880 A1* 7/2017 Carideo F04B 49/08
2018/0243767 A1* 8/2018 Stewart B05B 15/55
2019/0001359 A1* 1/2019 Negri B05B 15/63
2019/0039086 A1* 2/2019 Kim B05B 12/0022
2021/0121898 A1* 4/2021 Kalinich B05B 7/0416
2021/0121899 A1* 4/2021 Kalinich B05B 7/0025

OTHER PUBLICATIONS

AWF Pro Foam Gun—AWF 1000, Oct. 25, 2016, Amazon, site
visited Sep. 20, 2021: <https://www.amazon.com/dp/B01M7U73LQ/>
(Year: 2016).*

* cited by examiner

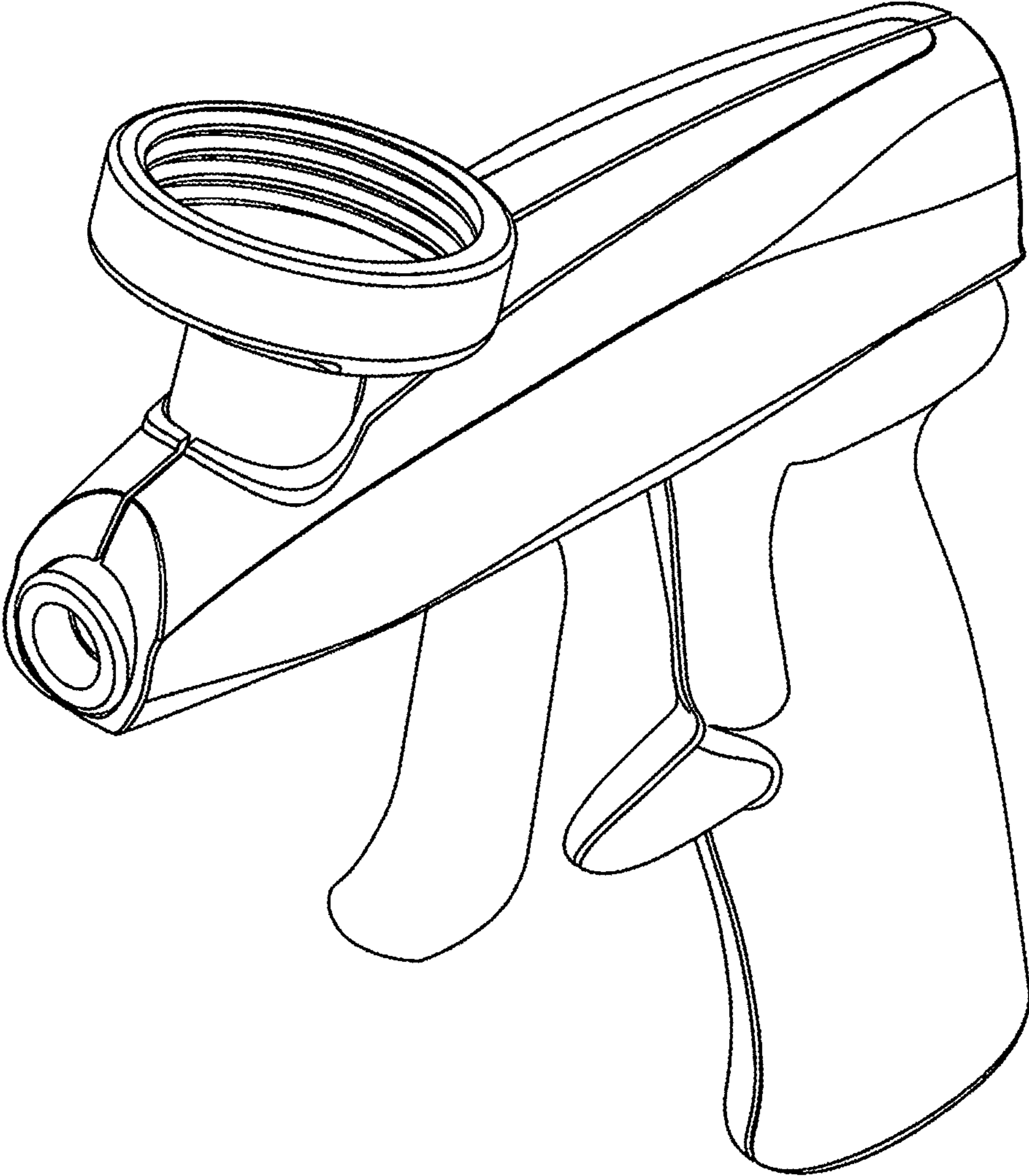


FIG. 1

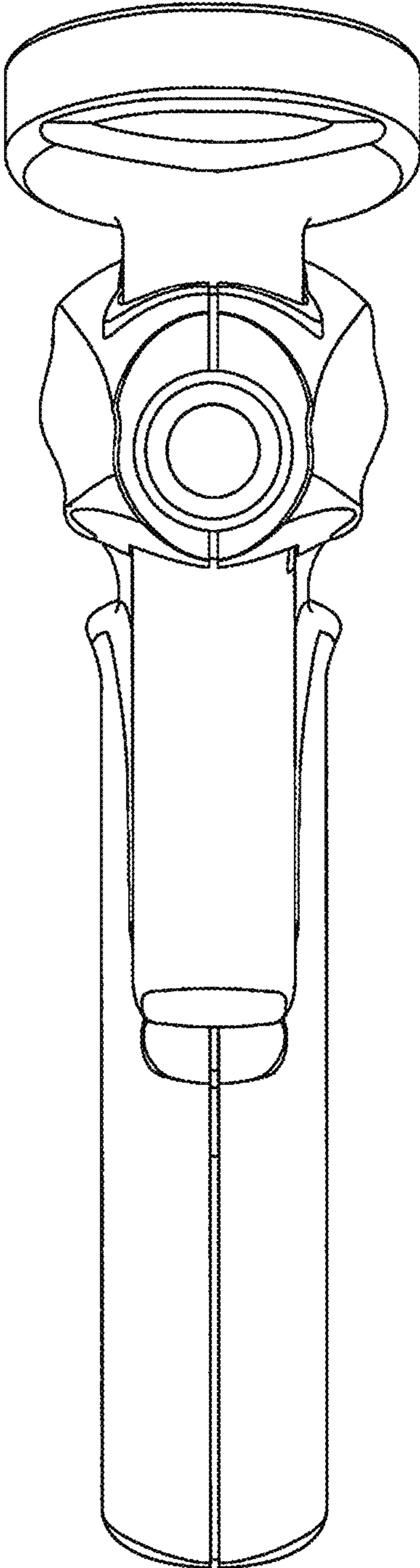


FIG.2

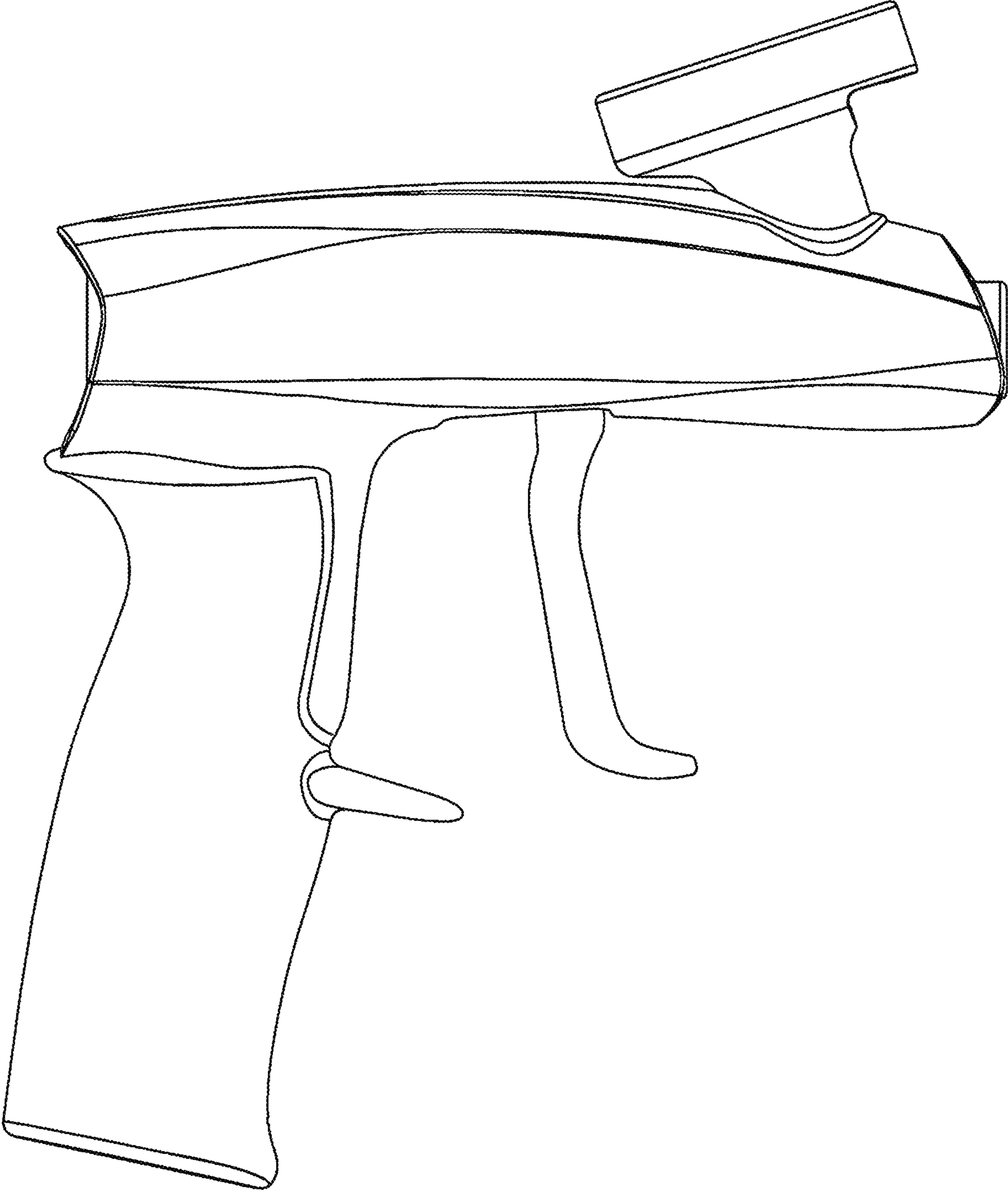


FIG.3

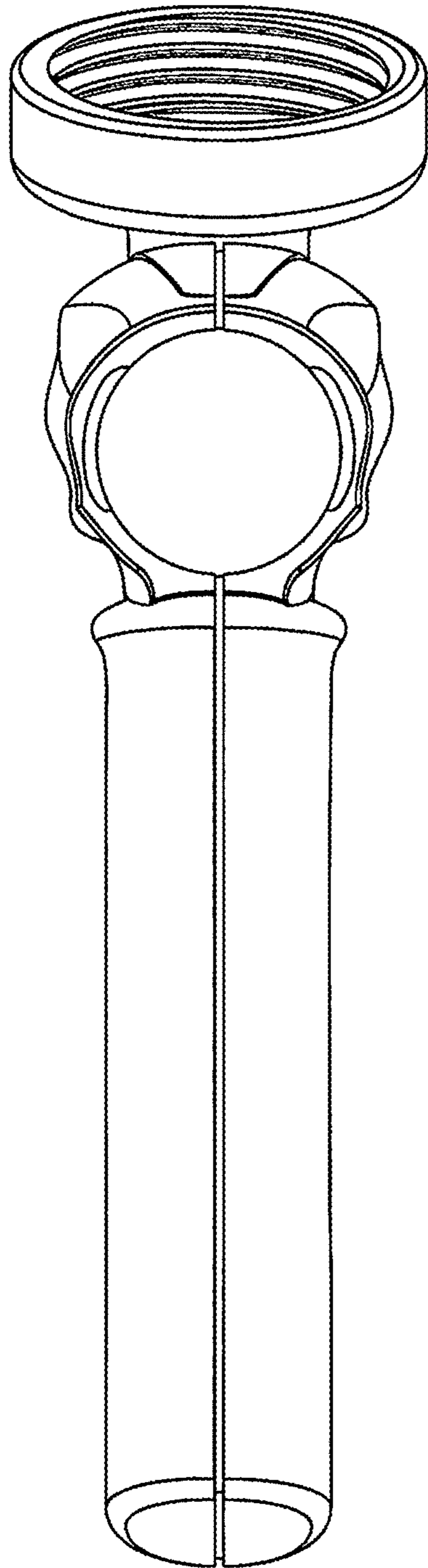


FIG. 4

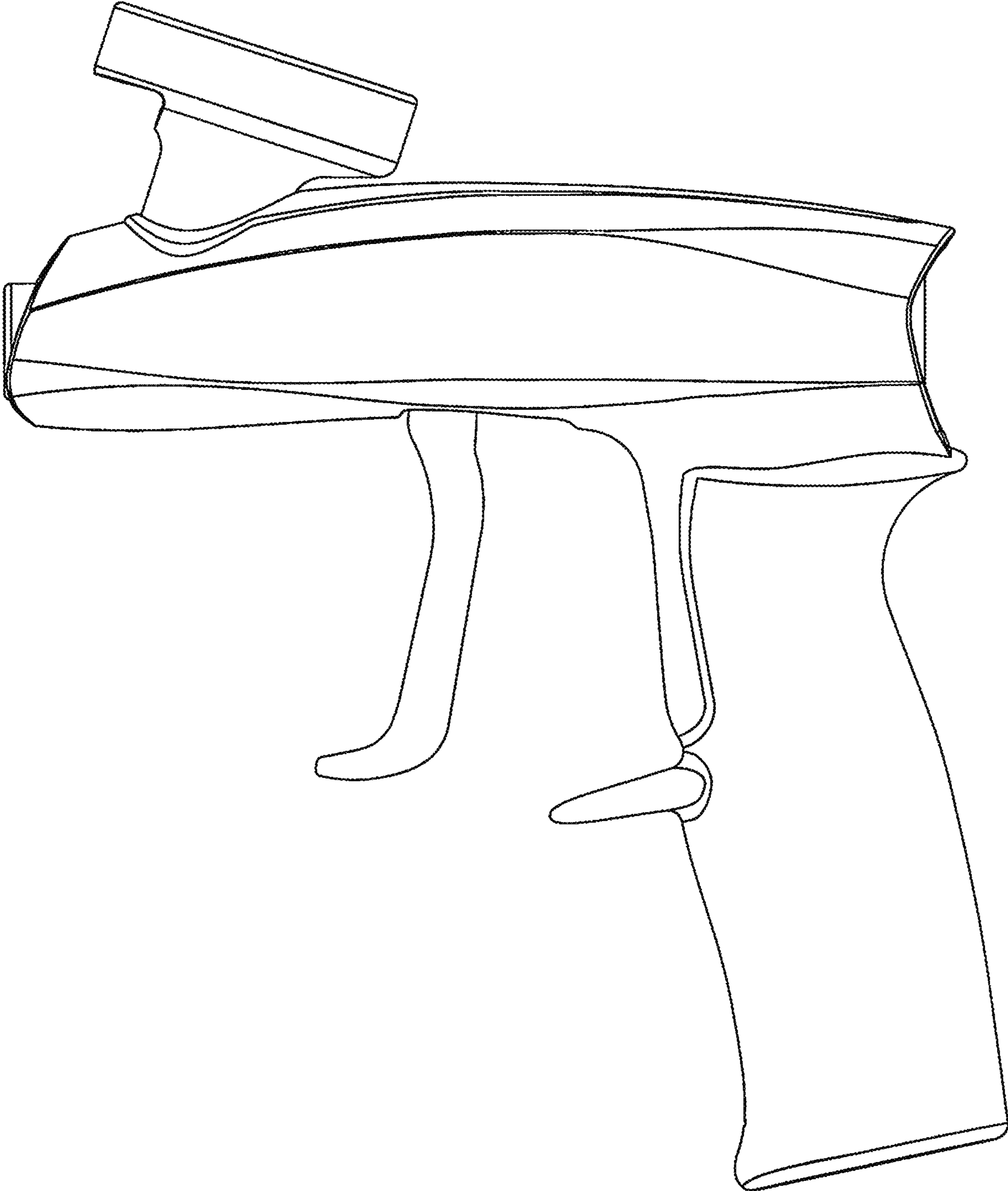


FIG.5

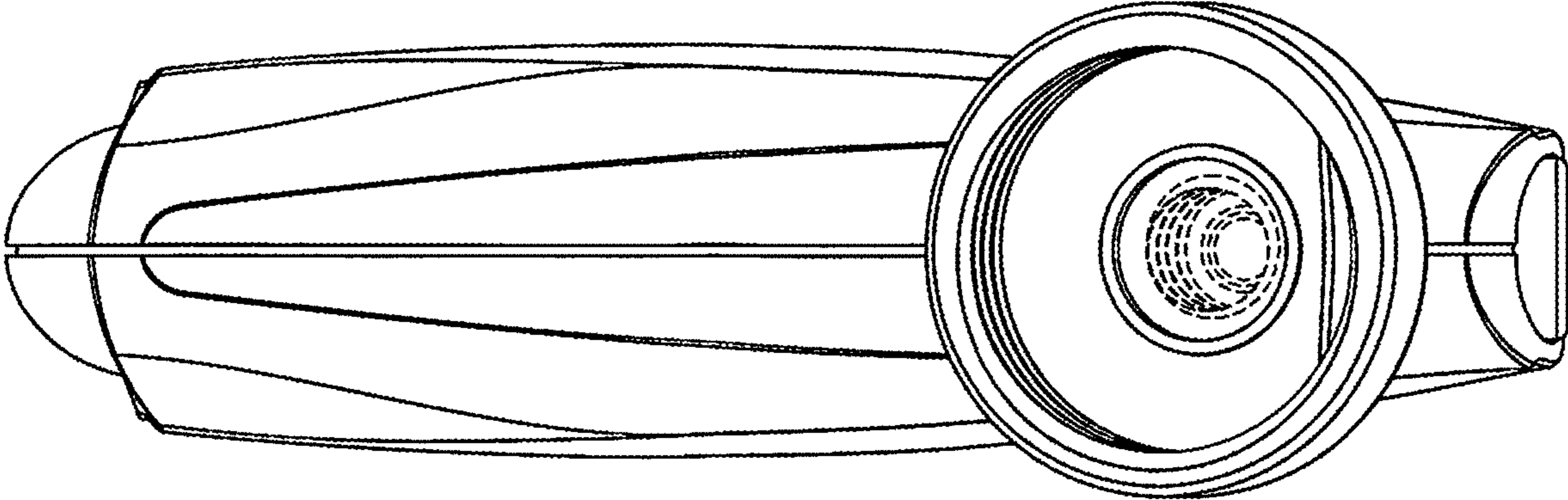


FIG.6

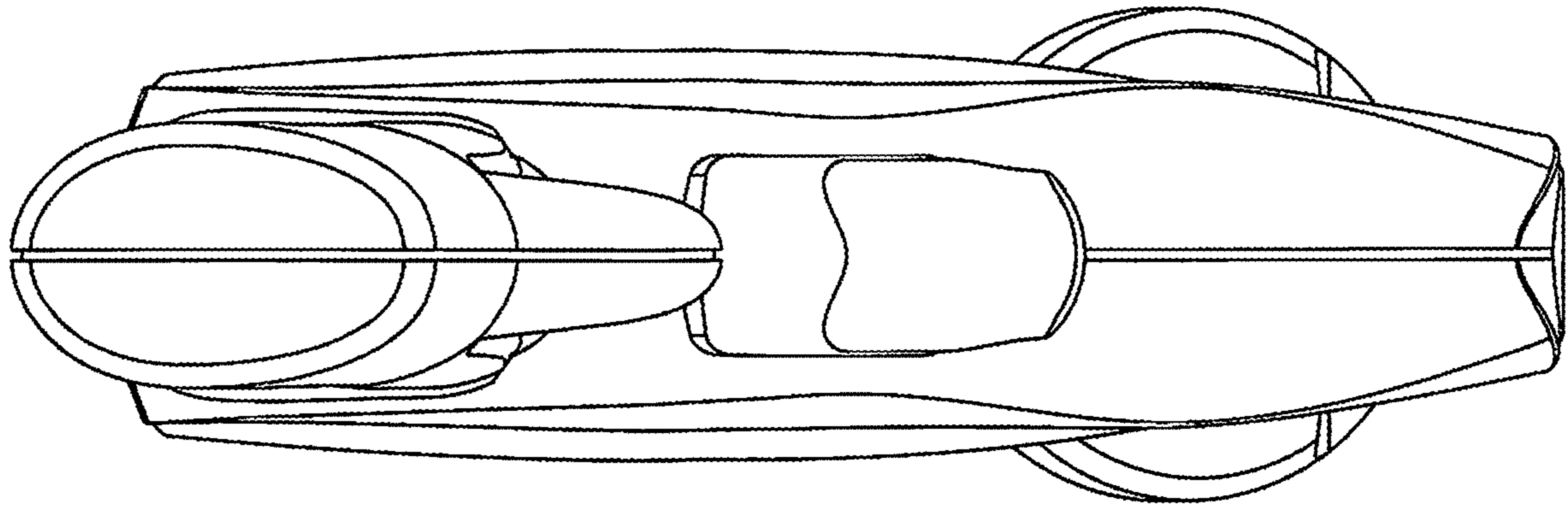


FIG.7