



US00D947319S

(12) **United States Design Patent** (10) **Patent No.:** **US D947,319 S**  
**Huang** (45) **Date of Patent:** **\*\* Mar. 29, 2022**

(54) **FILTER ELEMENT**  
(71) Applicant: **Xiaoping Huang**, Zhongshan (CN)  
(72) Inventor: **Xiaoping Huang**, Zhongshan (CN)  
(\*\*) Term: **15 Years**  
(21) Appl. No.: **29/733,931**  
(22) Filed: **May 7, 2020**

D849,188 S \* 5/2019 Zhibin ..... D23/209  
D852,929 S \* 7/2019 Nelson ..... D23/209  
D857,841 S \* 8/2019 Lu ..... D23/209  
D858,692 S \* 9/2019 Zou ..... D23/209  
D875,209 S \* 2/2020 Zou ..... D23/209  
D886,940 S \* 6/2020 Zou ..... D23/209  
D892,264 S \* 8/2020 Zou ..... D23/209  
D894,332 S \* 8/2020 Huaping ..... D23/209  
D894,337 S \* 8/2020 Huaping ..... D23/209  
D918,335 S \* 5/2021 Wei ..... D23/209  
D919,041 S \* 5/2021 Lu ..... D23/209  
D928,280 S \* 8/2021 Wei ..... D23/209

(Continued)

(30) **Foreign Application Priority Data**

Mar. 10, 2020 (CN) ..... 202030077177.8

(51) **LOC (13) Cl.** ..... **23-01**

(52) **U.S. Cl.**  
USPC ..... **D23/209**

(58) **Field of Classification Search**  
USPC ..... D23/207, 209, 210, 355, 363, 365  
CPC .... B01D 27/00; B01D 29/00; B01D 29/0095;  
B01D 35/0276; B01D 35/30; B01D  
35/34; B01D 2201/29; B01D 2201/305;  
B01D 2221/02; C02F 1/003; C02F  
2307/10  
See application file for complete search history.

(56) **References Cited**

**U.S. PATENT DOCUMENTS**

6,458,269 B1 \* 10/2002 Bassett ..... B01D 35/153  
210/418  
7,407,148 B2 \* 8/2008 Bassett ..... B01D 35/153  
251/309  
7,638,042 B2 \* 12/2009 Astle ..... C02F 9/005  
210/103  
8,097,158 B2 \* 1/2012 Tubby ..... B01D 27/08  
251/149.6  
D668,740 S \* 10/2012 Kulikov ..... D23/209  
8,911,623 B2 \* 12/2014 Tubby ..... B01D 27/08  
210/236  
D780,887 S \* 3/2017 Huda ..... D23/209  
D785,750 S \* 5/2017 Huda ..... D23/209

**OTHER PUBLICATIONS**

GE RPWFE Refrigerator Water Filter, Oct. 11, 2012, Amazon, site visited Jan. 27, 2022: <https://www.amazon.com/dp/B009PCI2JU/> (Year: 2012).\*

(Continued)

*Primary Examiner* — Jack Reickel  
*Assistant Examiner* — Bobby W Jones, II

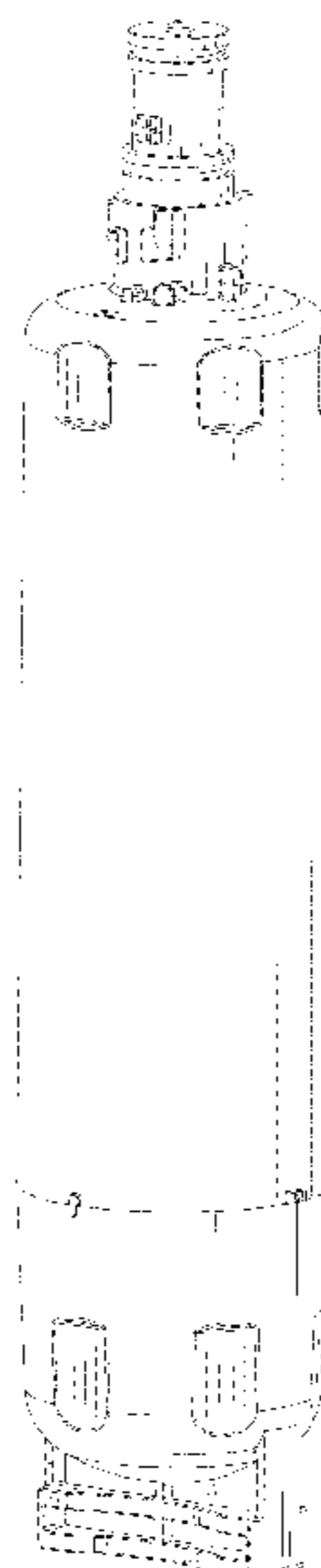
(57) **CLAIM**

The ornamental design for a filter element, as shown and described.

**DESCRIPTION**

FIG. 1 is a front top perspective view of a filter element showing my new design;  
FIG. 2 is a left bottom perspective view thereof;  
FIG. 3 is a front elevational view thereof;  
FIG. 4 is a rear elevational view thereof;  
FIG. 5 is a left side view thereof;  
FIG. 6 is a right side view thereof;  
FIG. 7 is a top plan view thereof; and,  
FIG. 8 is a bottom plan view thereof.  
The broken lines shown in the drawings depict portions of the filter element that form no part of the claimed design.

**1 Claim, 8 Drawing Sheets**



(56)

**References Cited**

U.S. PATENT DOCUMENTS

2014/0166569 A1\* 6/2014 Chow ..... B01D 35/30  
210/440  
2016/0136547 A1\* 5/2016 Nuss ..... C02F 1/003  
210/91  
2016/0271536 A1\* 9/2016 Joung ..... B01D 35/147  
2017/0056797 A1\* 3/2017 Kang ..... B01D 35/00  
2019/0351354 A1\* 11/2019 Chandra ..... B01D 29/15

OTHER PUBLICATIONS

Golden Icepure 4396508 Refrigerator Water Filter, Nov. 15, 2017,  
Amazon, site visited Jan. 27, 2022: <https://www.amazon.com/dp/B077HR28HM/> (Year: 2017).\*

\* cited by examiner

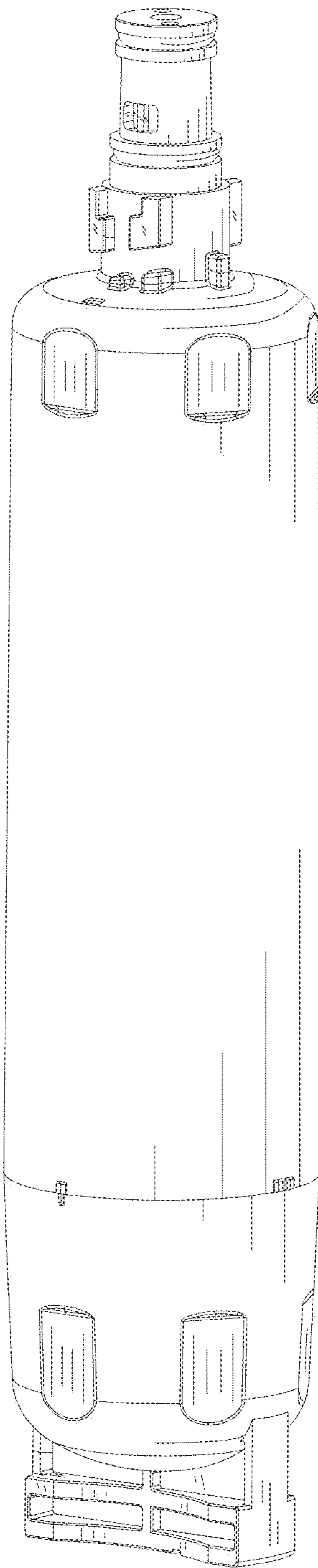


FIG. 1

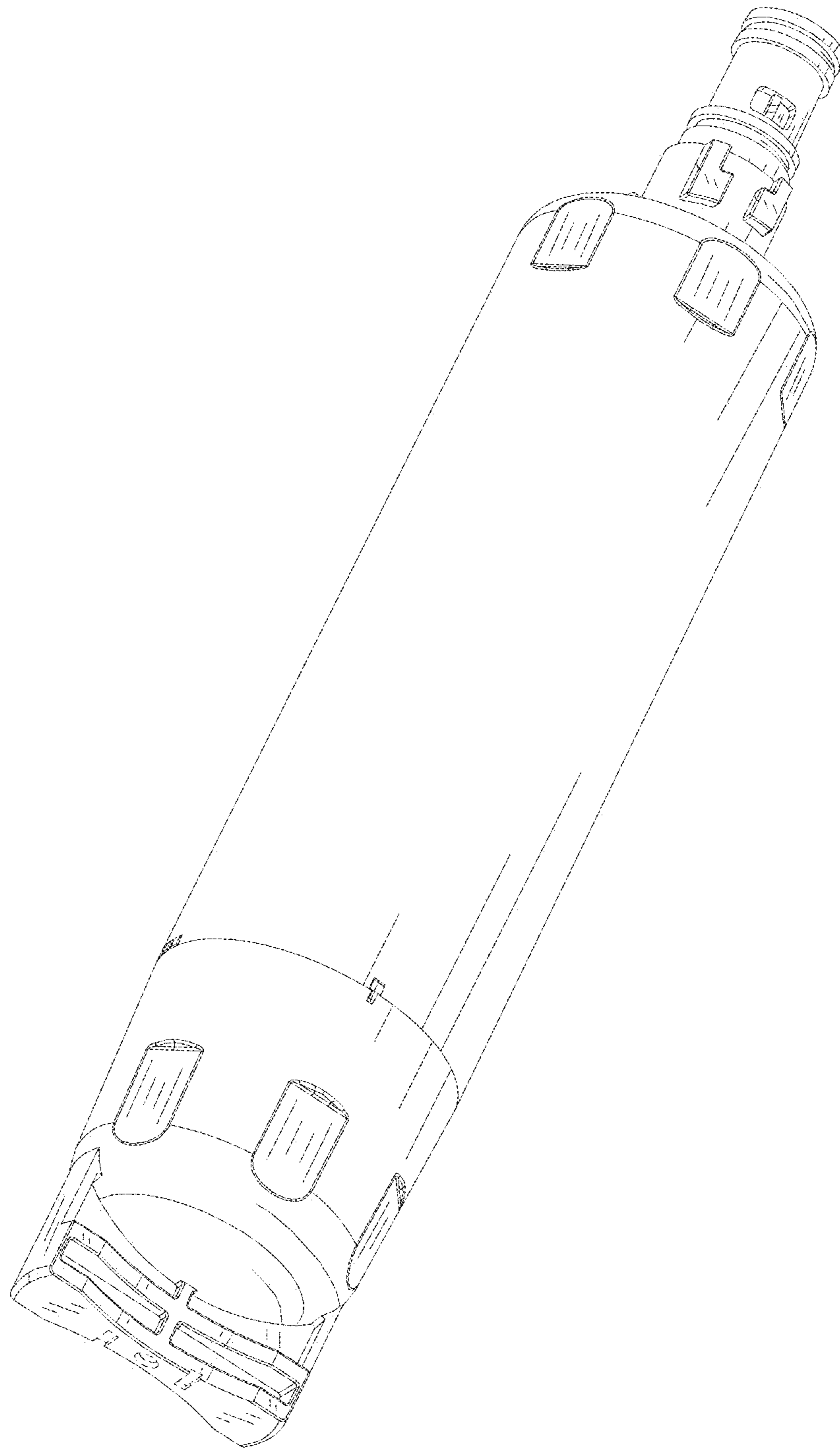


FIG. 2

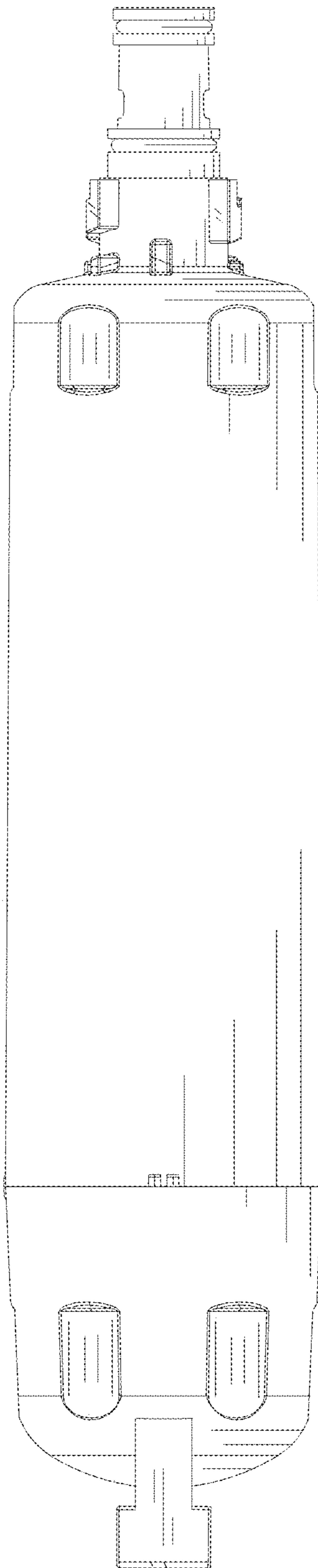


FIG. 3

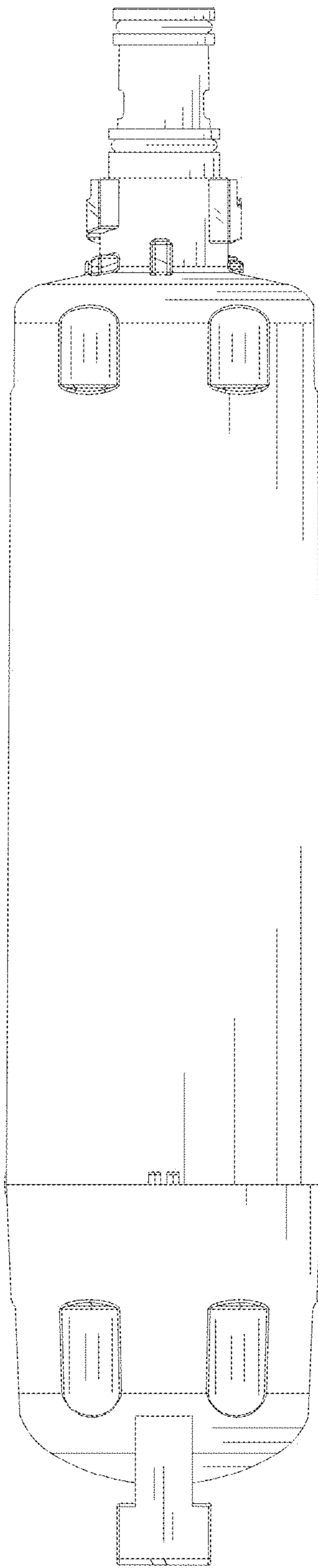


FIG. 4

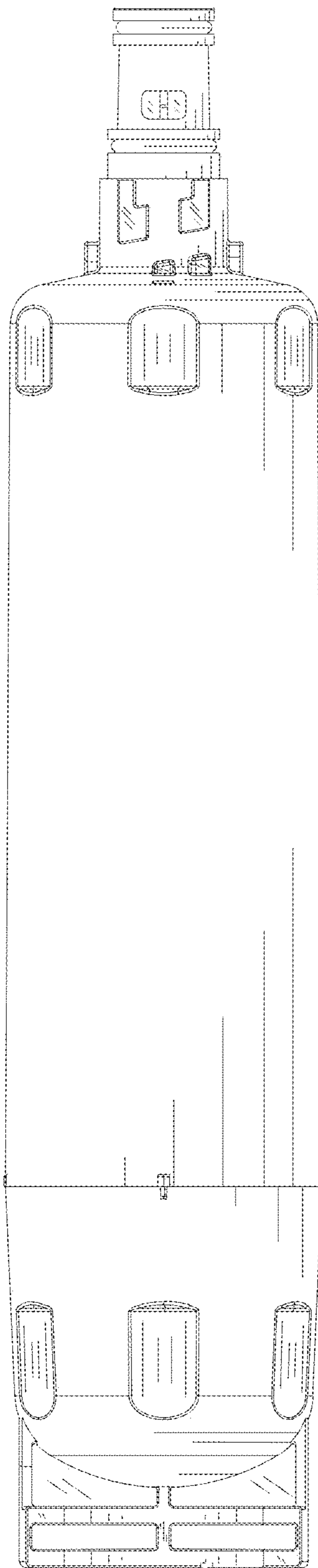


FIG. 5



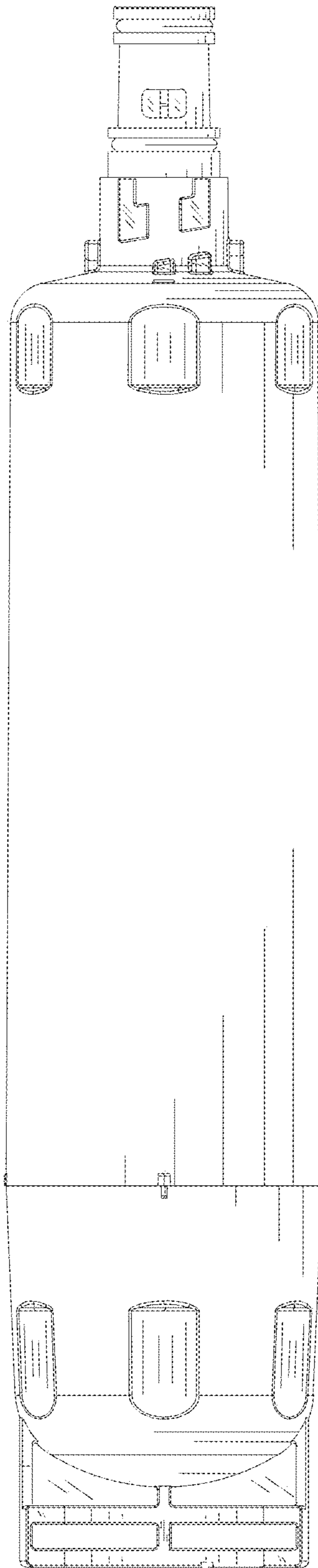


FIG. 6



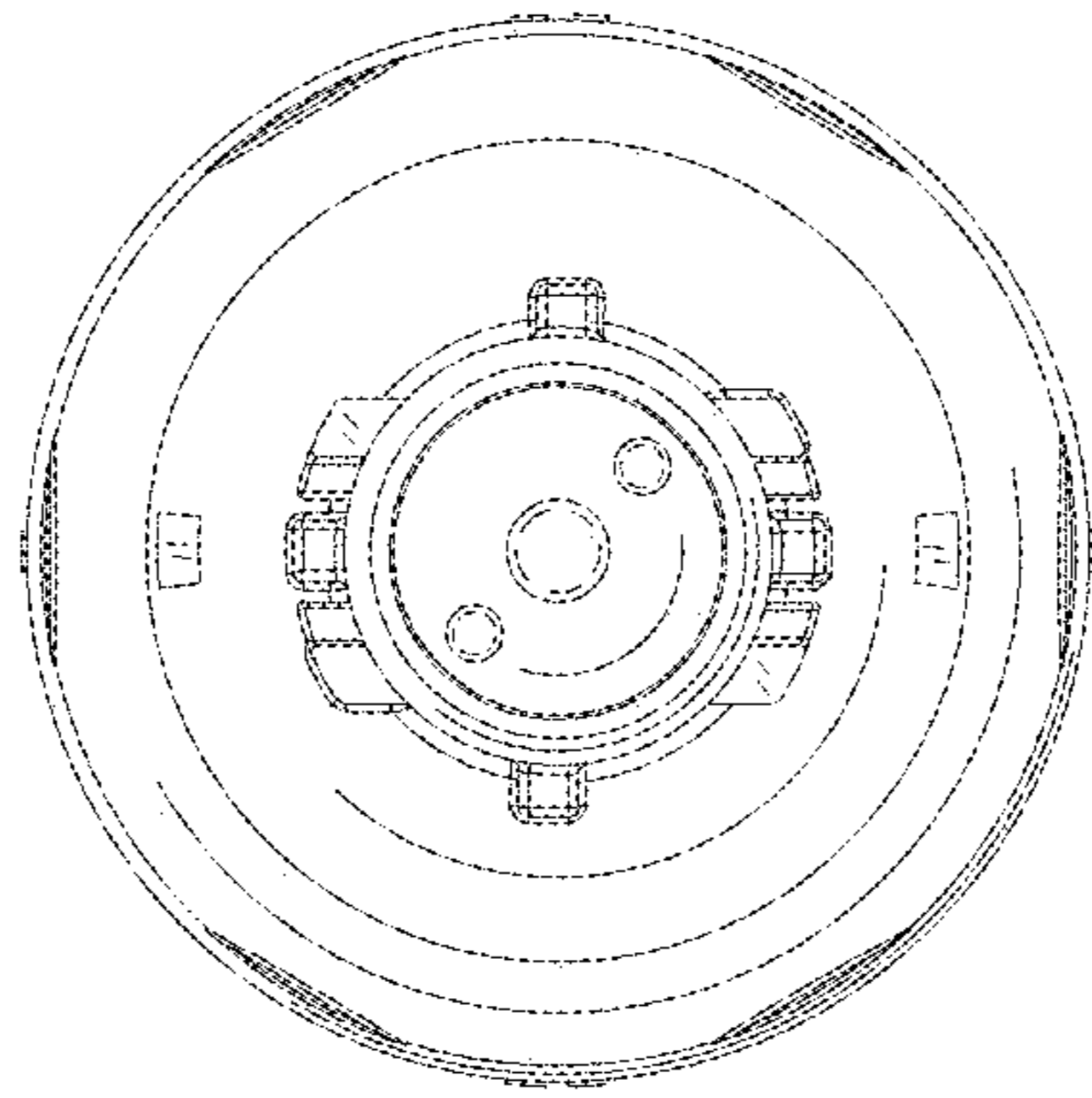


FIG. 7

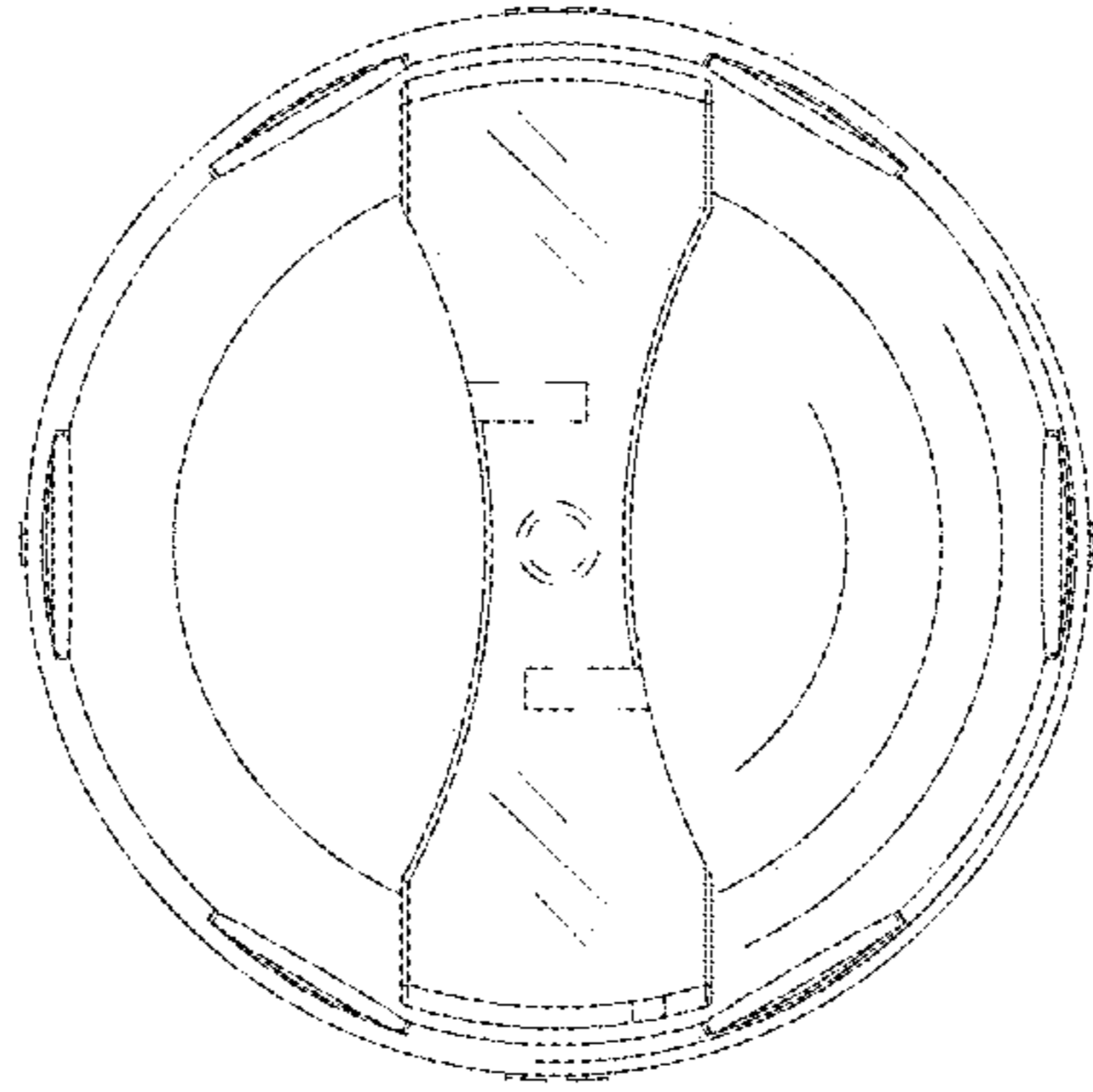


FIG. 8