



US00D947316S

(12) **United States Design Patent**
Downie et al.

(10) **Patent No.:** **US D947,316 S**
(45) **Date of Patent:** **** Mar. 29, 2022**

(54) **CANISTER**

(71) Applicant: **Adey Holdings (2008) Limited**,
Cheltenham (GB)

(72) Inventors: **Simon Downie**, Cheltenham (GB);
Kelvin Leung, Cheltenham (GB); **Alan Ferry**, Cheltenham (GB)

(73) Assignee: **ADEY HOLDINGS (2008) LIMITED**,
Cheltenham (GB)

(**) Term: **15 Years**

(21) Appl. No.: **29/704,834**

(22) Filed: **Sep. 6, 2019**

(30) **Foreign Application Priority Data**

Mar. 7, 2019 (GB) 6056263

(51) **LOC (13) Cl.** **23-01**

(52) **U.S. Cl.**
USPC **D23/209**; D23/262

(58) **Field of Classification Search**
USPC D23/200, 206-209, 233-237, 259,
D23/322-323, 213, 230-232, 245, 365,
D23/262-263, 266, 268, 231-232, 265;
210/222-223; 209/39; D13/147;
138/26, 30; 285/9.1, 129.1, 133.11,
285/207.5, 208, 210, 213
CPC ... F28F 23/02; F28F 2250/08; F16L 2201/30;
F16L 25/00; F16L 55/04; F16K 51/36;
F16K 1/42; F16K 7/17; B01D 27/08;
B01D 24/10; B01D 33/50; B05B 1/18;
C02F 1/003; E03C 1/02
See application file for complete search history.

(56) **References Cited**

U.S. PATENT DOCUMENTS

2,317,774 A * 4/1943 Aninga B03C 1/28
210/222
D236,264 S * 8/1975 Taylor D23/207

D319,287 S * 8/1991 Baumstark D23/207
D622,347 S * 8/2010 Adey D23/207
D679,779 S * 4/2013 Reid D23/209
D776,786 S * 1/2017 Okazaki D23/209
D788,263 S * 5/2017 Brixius D23/209
D806,206 S * 12/2017 Konagayoshi D23/207
2003/0116495 A1 * 6/2003 Chau C02F 1/003
210/264
2011/0203985 A1 * 8/2011 Reid B01D 35/301
210/236
2014/0367340 A1 * 12/2014 Caleffi B01D 35/06
210/695
2017/0030384 A1 * 2/2017 Pastori B01D 35/306
2021/0260509 A1 * 8/2021 Bertolotti B01D 35/06

* cited by examiner

Primary Examiner — Amy C Wierenga

(74) *Attorney, Agent, or Firm* — Jacob M. Ward; Ward
Law Office LLC

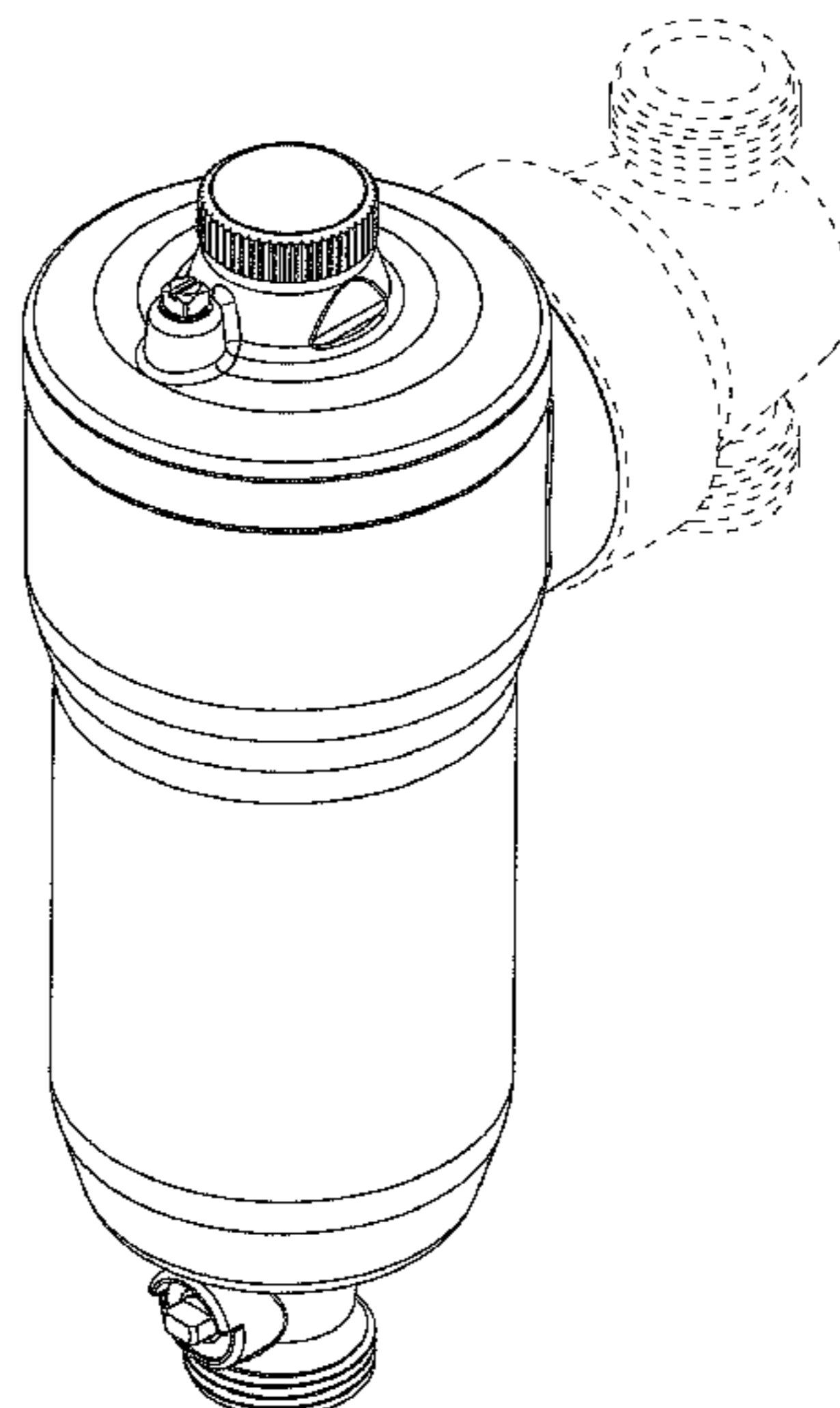
(57) **CLAIM**

The ornamental design for a canister, as shown and described.

DESCRIPTION

FIG. 1 is a top perspective view of a canister for a magnetic filter;
FIG. 2 is a bottom perspective view of the canister shown in FIG. 1;
FIG. 3 is a front elevational view thereof;
FIG. 4 is a rear elevational view thereof;
FIG. 5 top plan view thereof;
FIG. 6 is a bottom plan view thereof;
FIG. 7 is a right side elevational view thereof; and,
FIG. 8 is a left side elevational view thereof.
The broken lines shown in the drawings are for the purpose of illustrating environment and form no part of the claimed design.

1 Claim, 5 Drawing Sheets



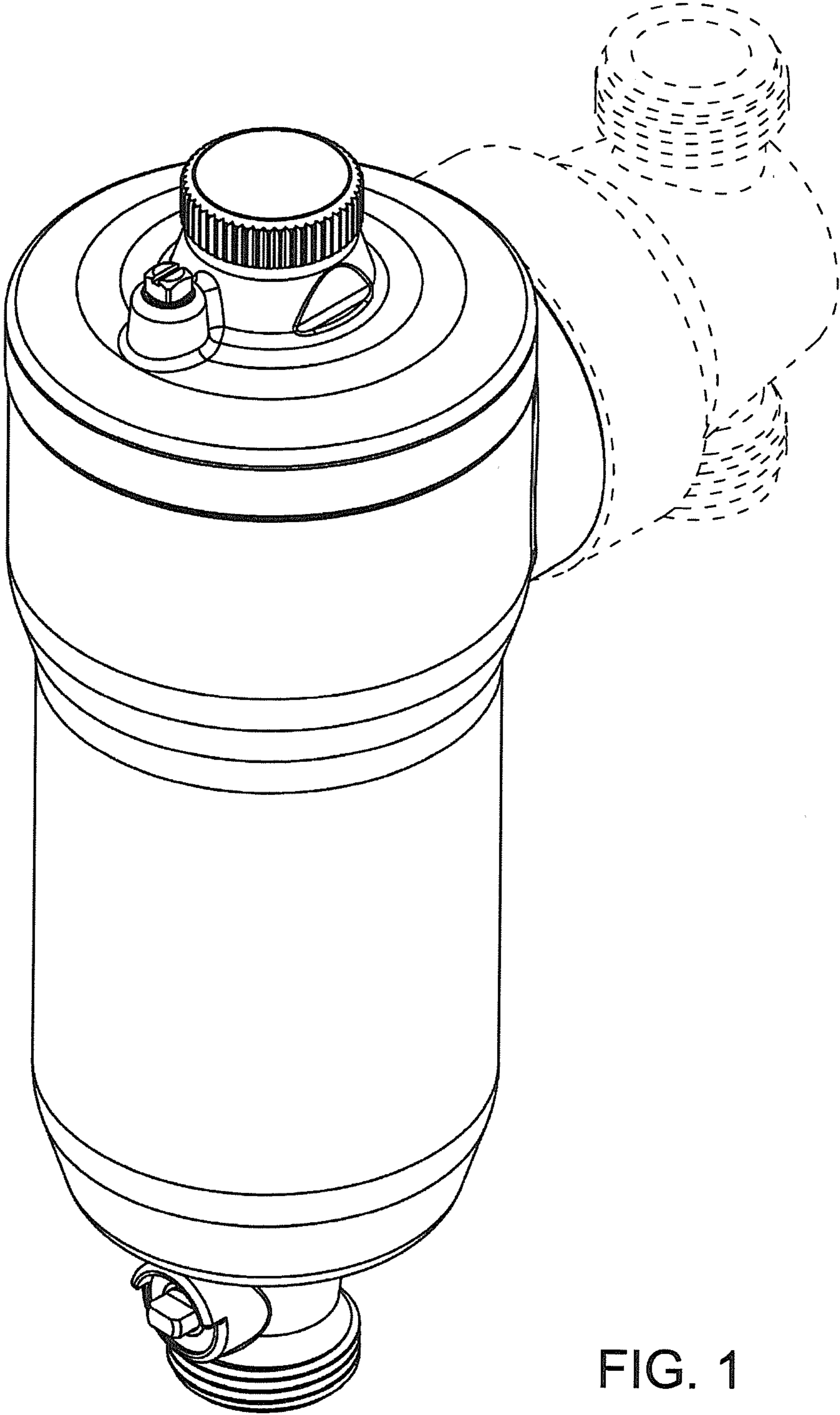


FIG. 1

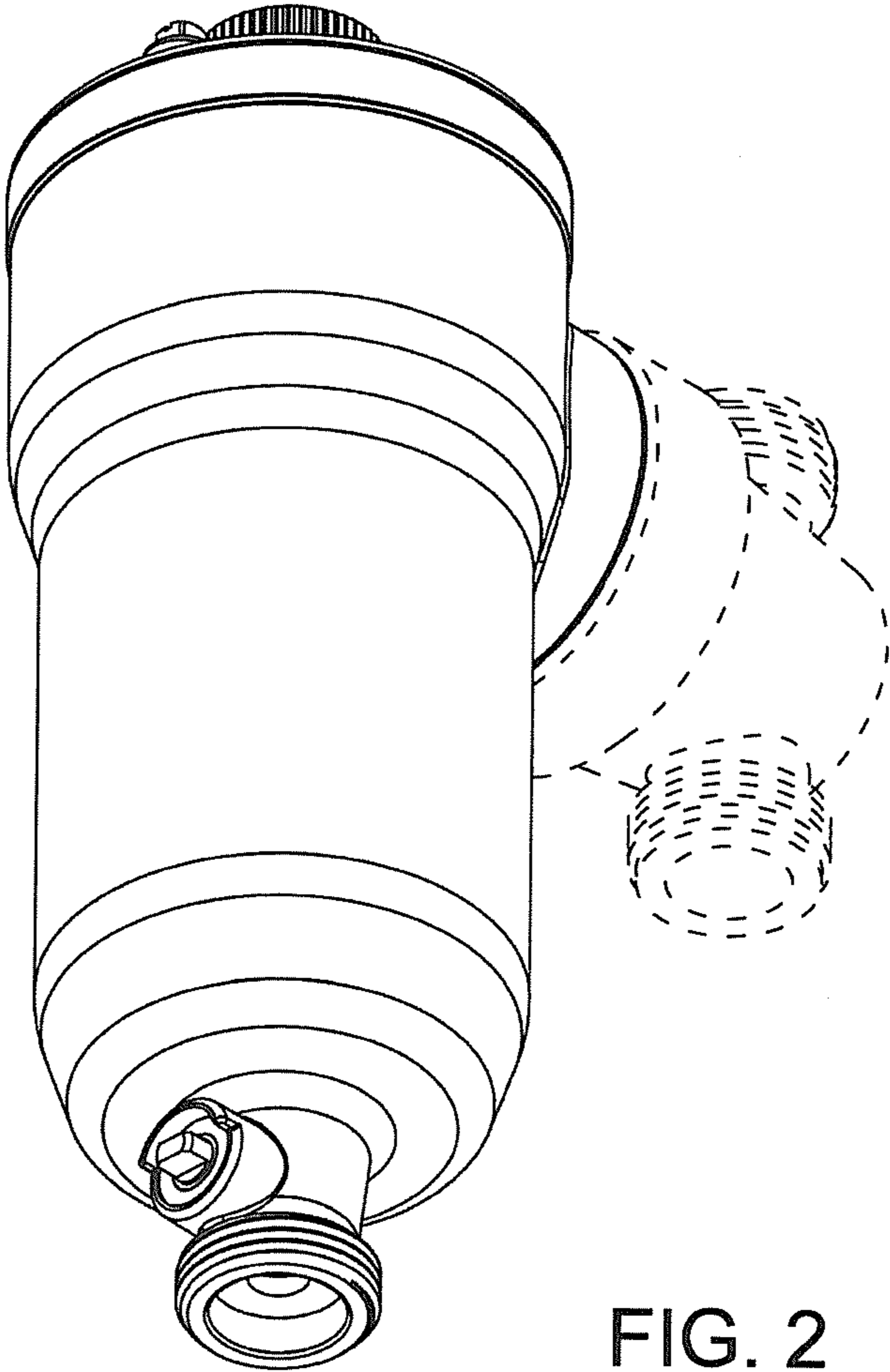


FIG. 2

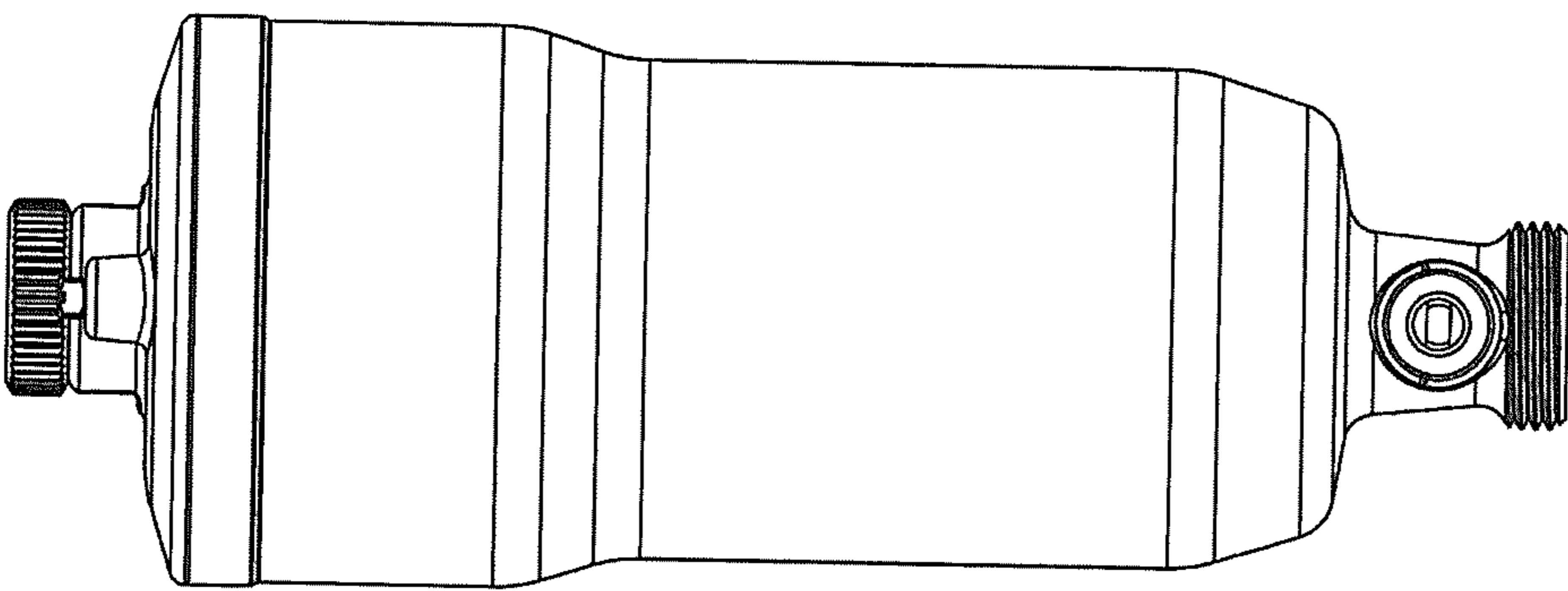


FIG. 3

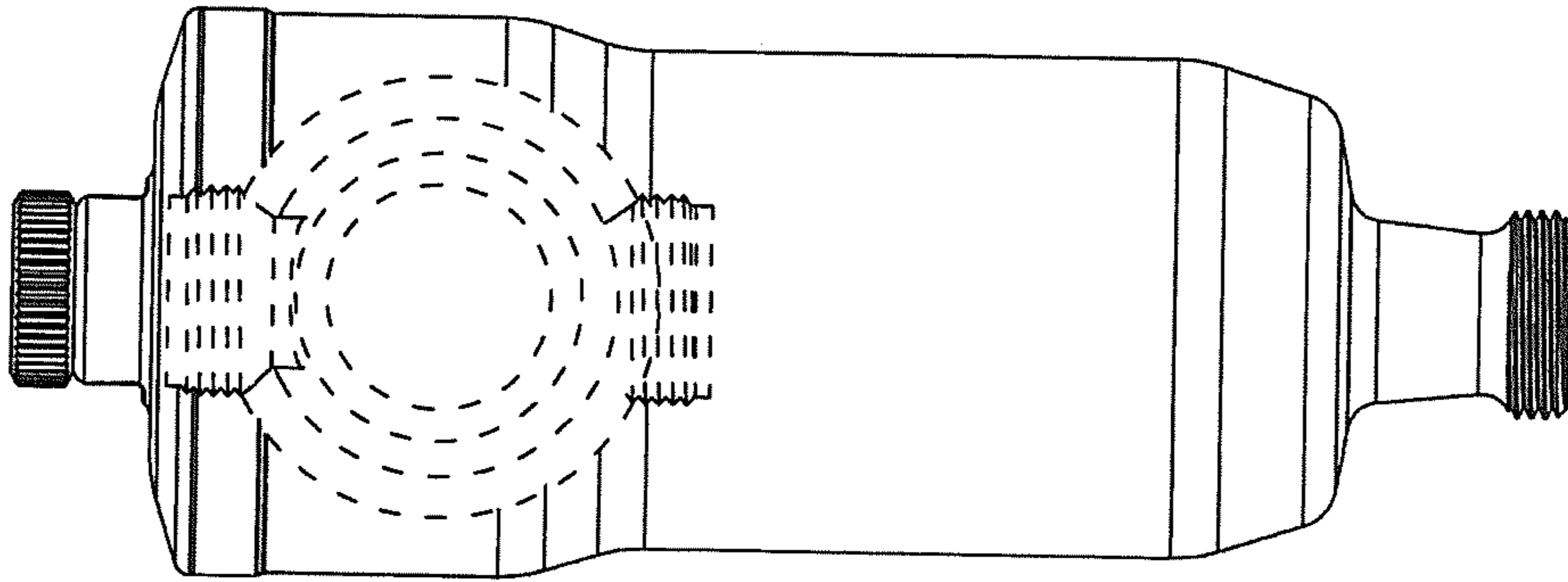


FIG. 4

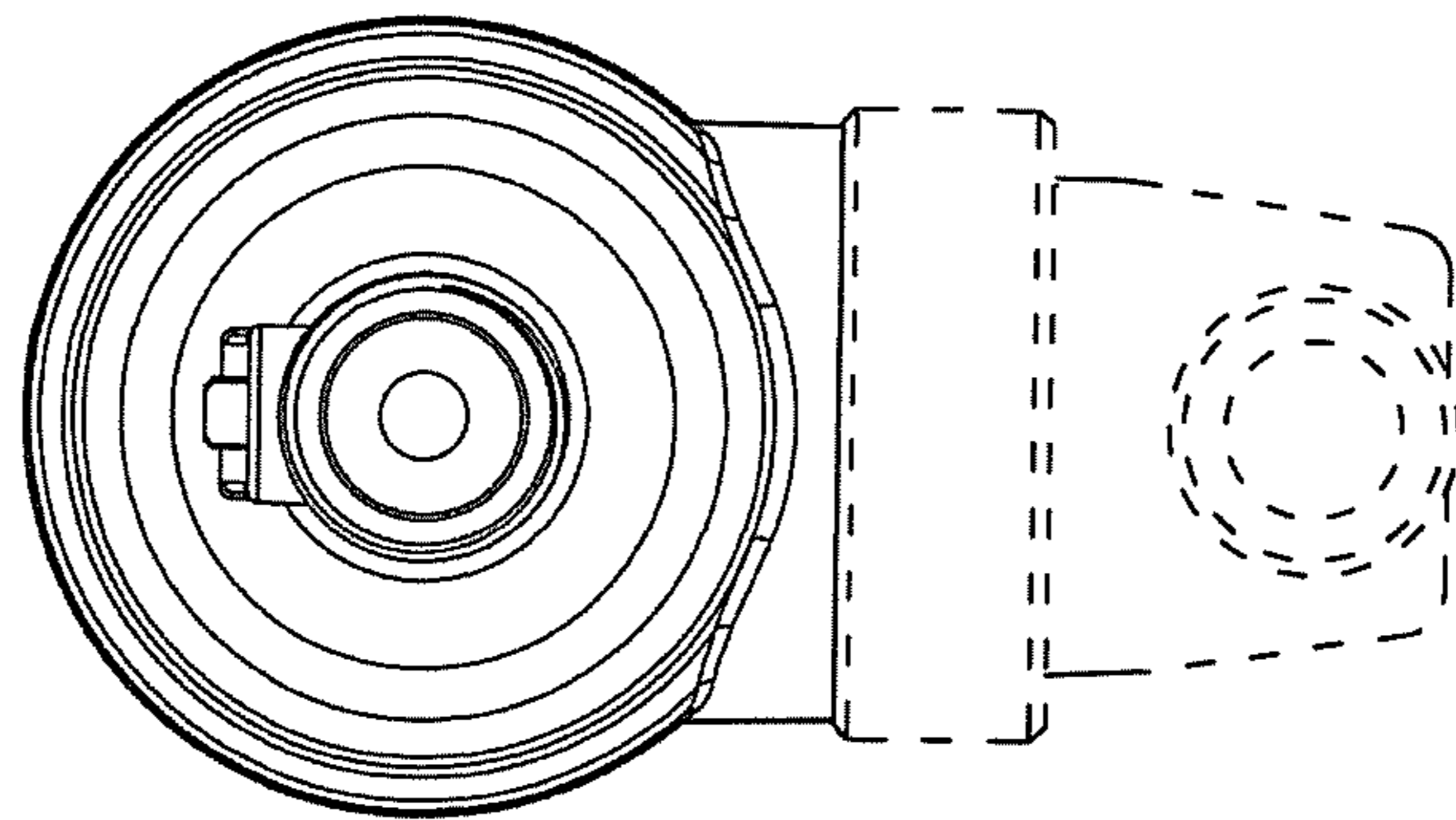


FIG. 5

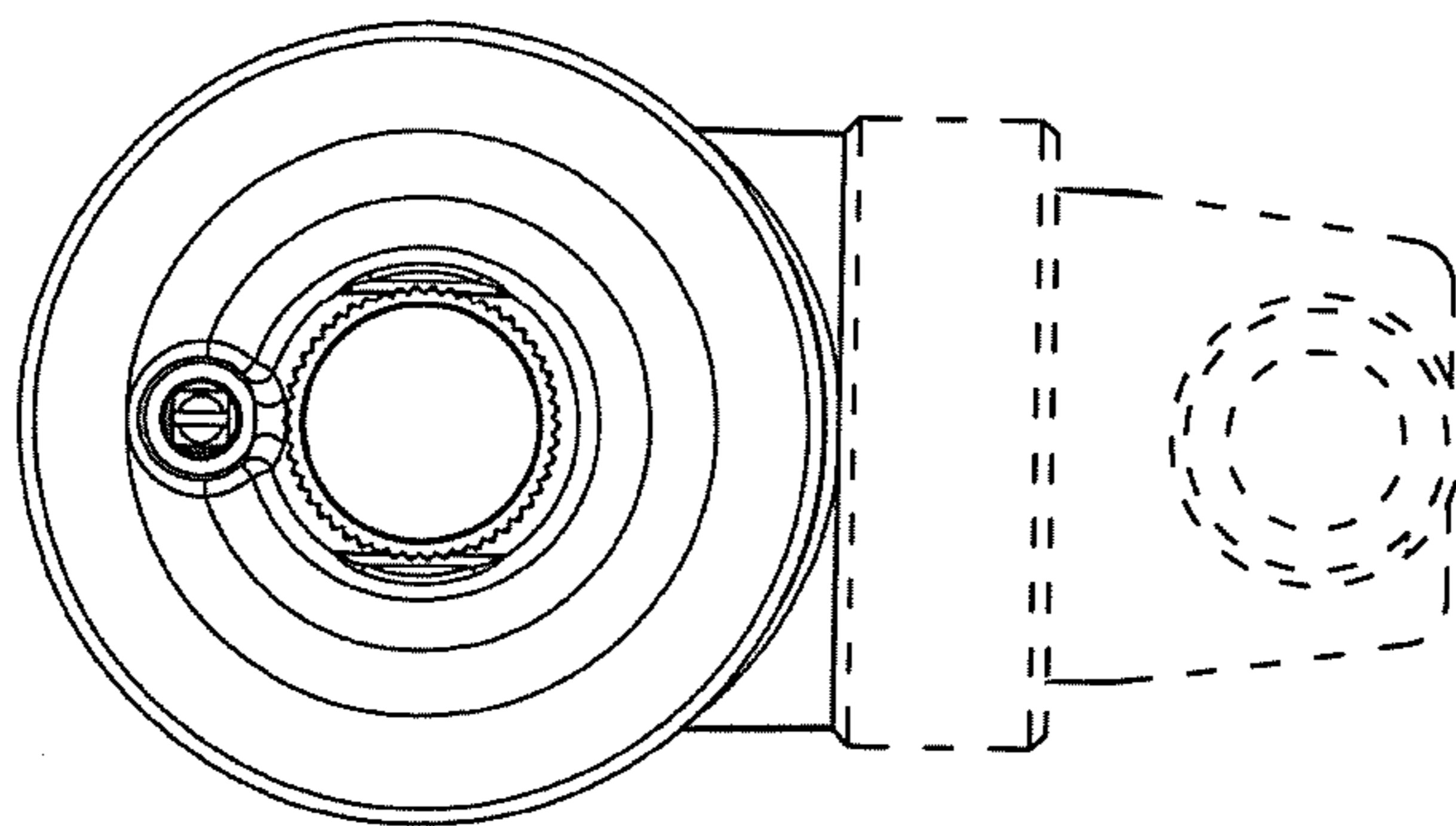


FIG. 6

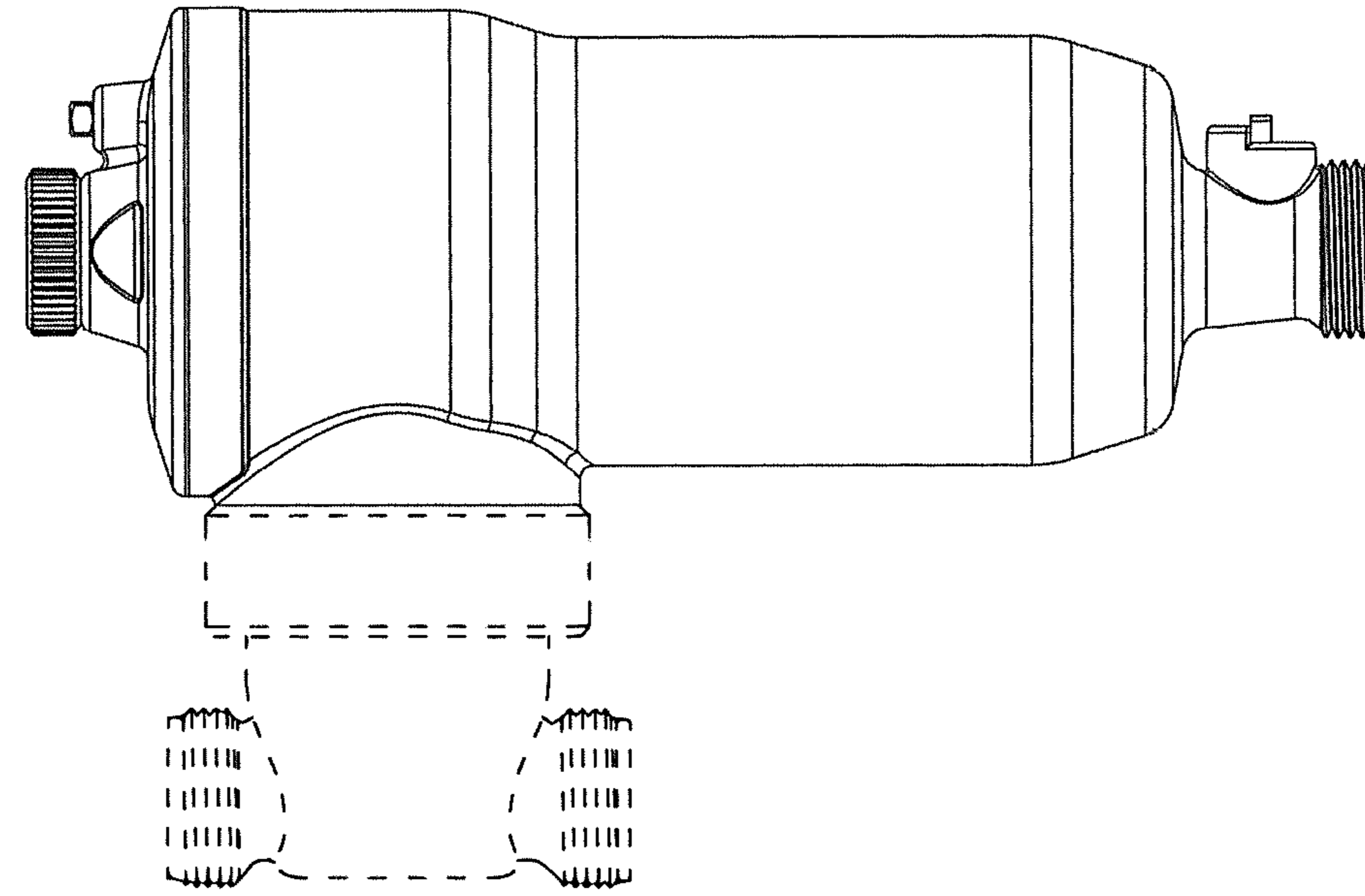


FIG. 7

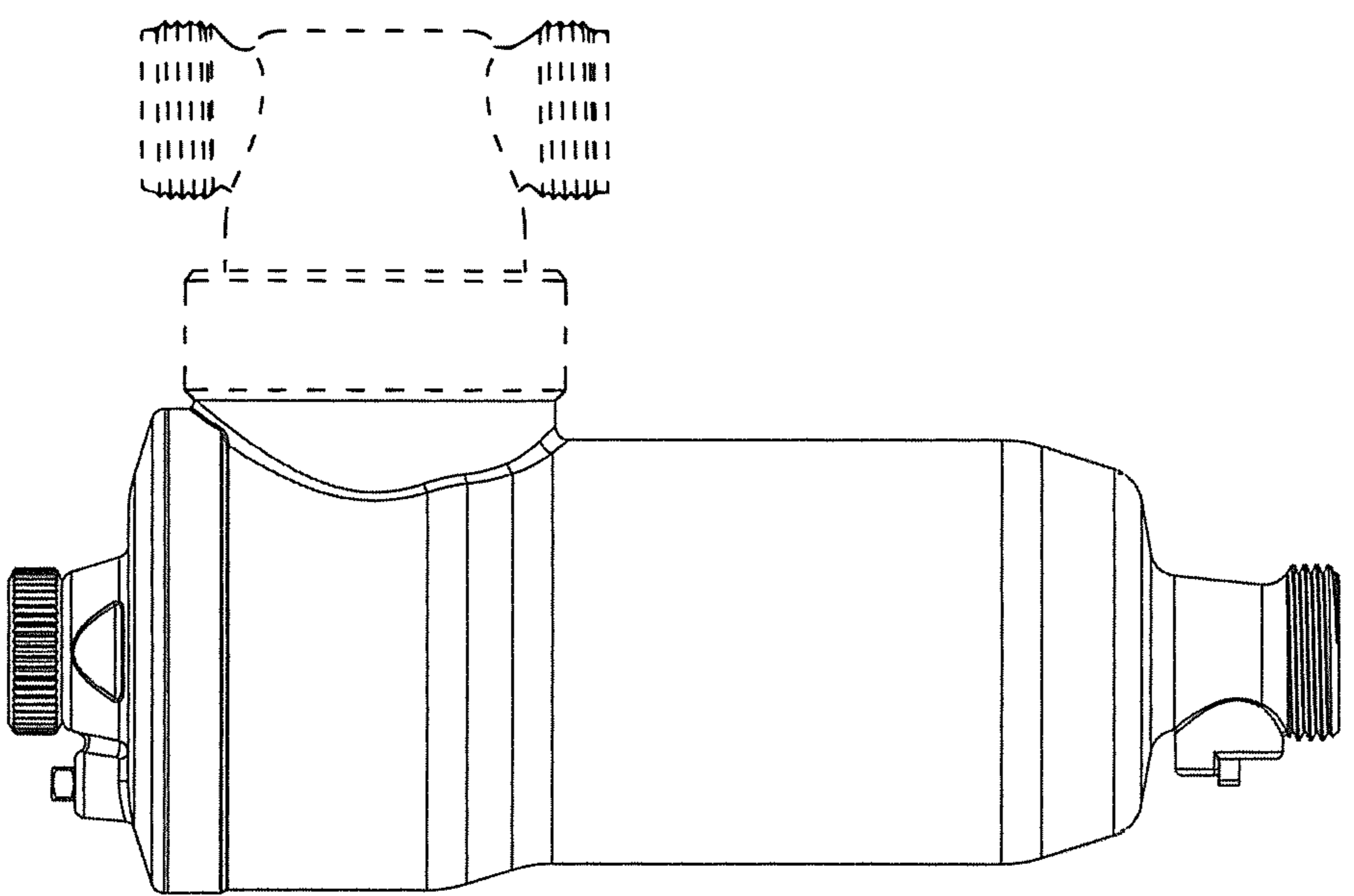


FIG. 8