



US00D947312S

(12) **United States Design Patent**
Li

(10) **Patent No.:** **US D947,312 S**

(45) **Date of Patent:** **** Mar. 29, 2022**

(54) **LASER SIGHT**

(71) Applicant: **Dongmei Li**, Meishan (CN)

(72) Inventor: **Dongmei Li**, Meishan (CN)

(**) Term: **15 Years**

(21) Appl. No.: **29/781,239**

(22) Filed: **Apr. 28, 2021**

(51) **LOC (13) Cl.** **22-01**

(52) **U.S. Cl.**
USPC **D22/109**

(58) **Field of Classification Search**
USPC D22/108, 109, 110; D26/24, 60
CPC F41G 1/00; F41G 1/35; F41G 1/36; F41G
11/003

See application file for complete search history.

(56) **References Cited**

U.S. PATENT DOCUMENTS

D568,508 S *	5/2008	Howe	D26/38
D578,599 S	10/2008	Cheng		
D672,005 S	12/2012	Hedeen et al.		
D696,377 S *	12/2013	Thummel	D22/109
D729,339 S *	5/2015	Chavez	D22/109
D749,689 S *	2/2016	Cheng	D22/109
D755,340 S *	5/2016	Essig	D22/109
D778,390 S *	2/2017	Zhang	D22/109
D781,983 S *	3/2017	Wells	D22/108
D800,864 S *	10/2017	Hartley	D22/109
D826,363 S *	8/2018	Kowalczyk, Jr.	D22/109
10,047,941 B2 *	8/2018	Mock	F21V 15/01
D830,491 S *	10/2018	Mock	D22/109
10,107,592 B1 *	10/2018	Huang	F41G 1/35
D857,268 S *	8/2019	Worman	D26/60
D860,375 S	9/2019	Chavez		
D872,334 S *	1/2020	Fan	D26/60

D873,946 S *	1/2020	Hedeen	D22/109
D898,260 S *	10/2020	Worman	D26/60
D940,266 S *	1/2022	Wang	D22/109
2010/0097789 A1 *	4/2010	Sharrah	F41G 11/003 362/110
2011/0185619 A1 *	8/2011	Finnegan	F41G 1/35 42/117
2015/0276352 A1 *	10/2015	Chang	F41G 1/36 42/114

FOREIGN PATENT DOCUMENTS

CN 306886067 * 10/2021

* cited by examiner

Primary Examiner — S. Bryan Reinholdt, Jr.

(57) **CLAIM**

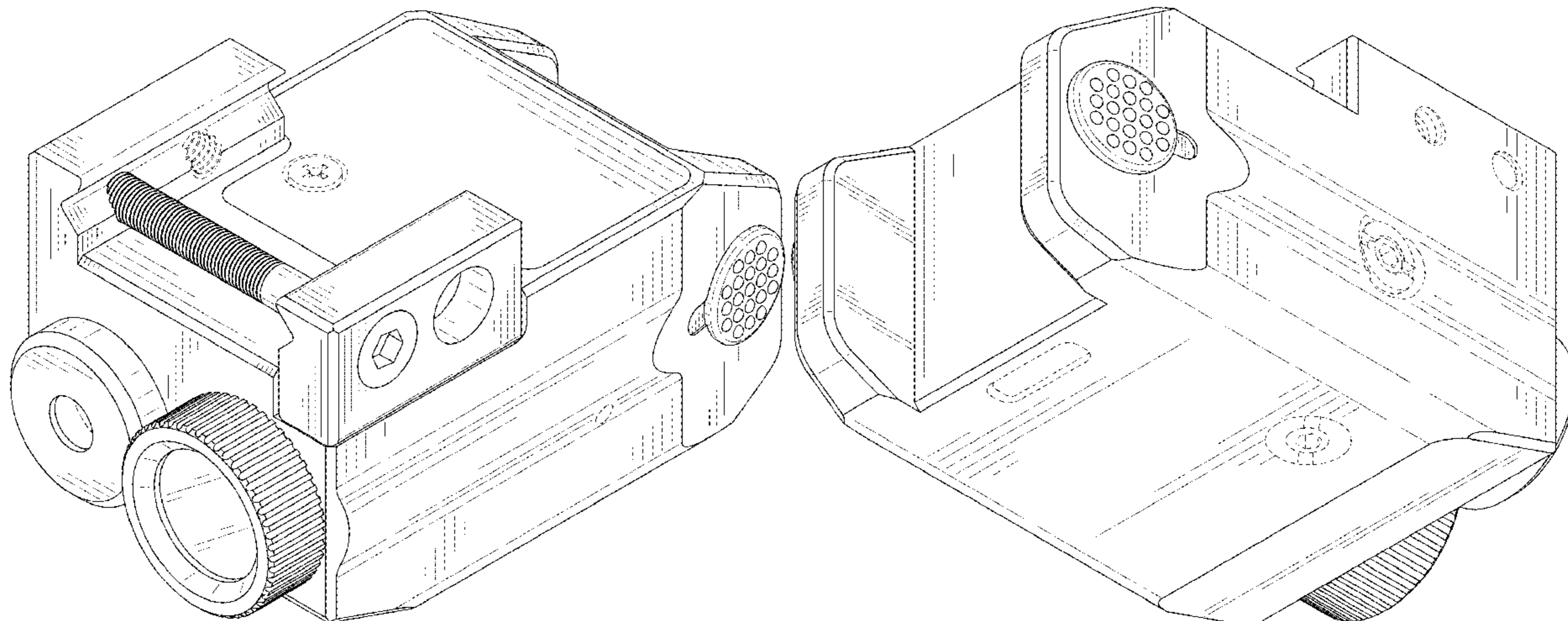
The ornamental design for a laser sight, as shown and described.

DESCRIPTION

FIG. 1 is a first perspective view of a laser sight showing my new design;
FIG. 2 is a second perspective view thereof;
FIG. 3 is a front view thereof;
FIG. 4 is a back view thereof;
FIG. 5 is a left side view thereof;
FIG. 6 is a right side view thereof;
FIG. 7 is a top view thereof; and,
FIG. 8 is a bottom view thereof.

The broken lines shown in the drawings depict portions of the laser sight in which the design is embodied that form no part of the claimed design.

1 Claim, 8 Drawing Sheets



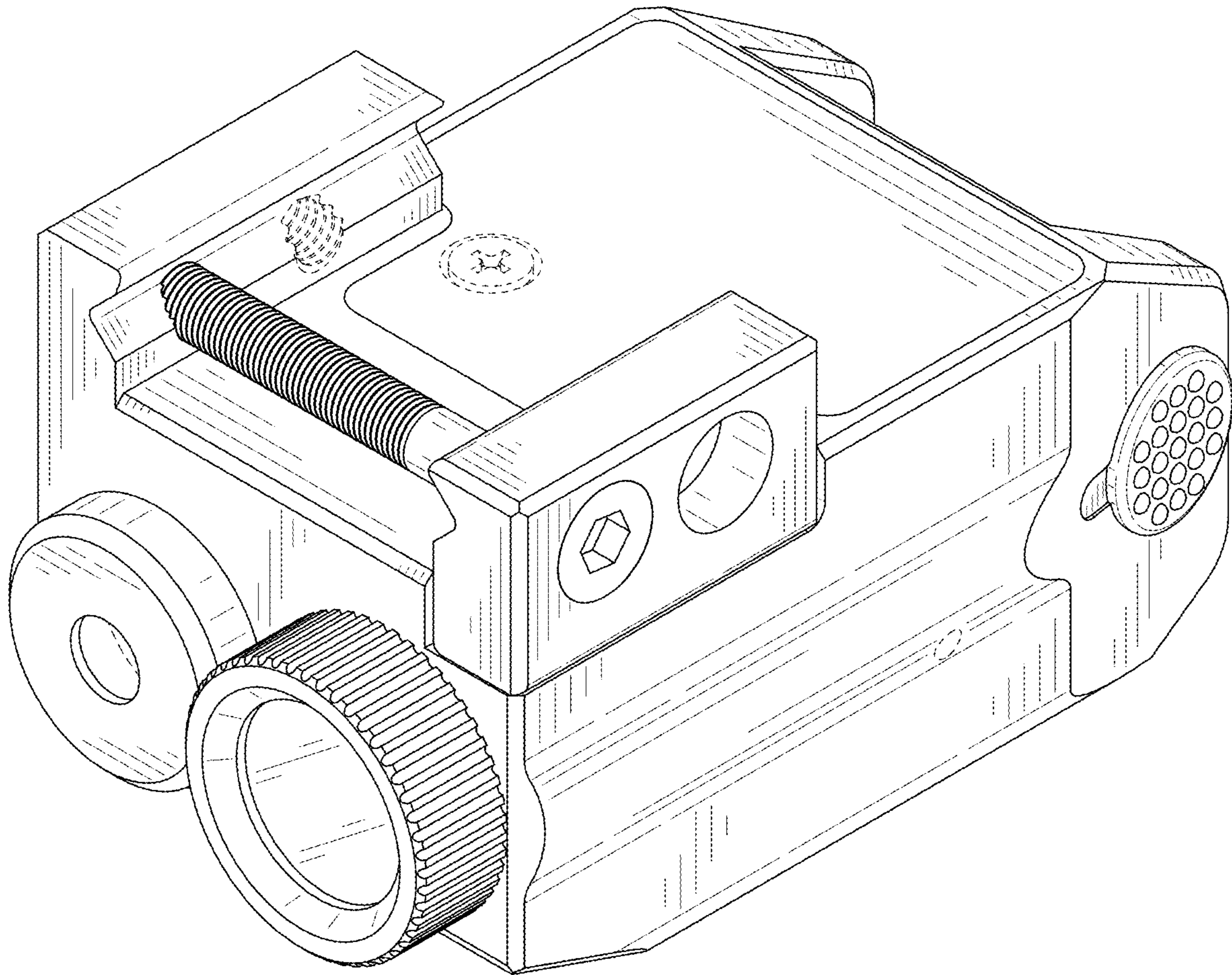


FIG. 1

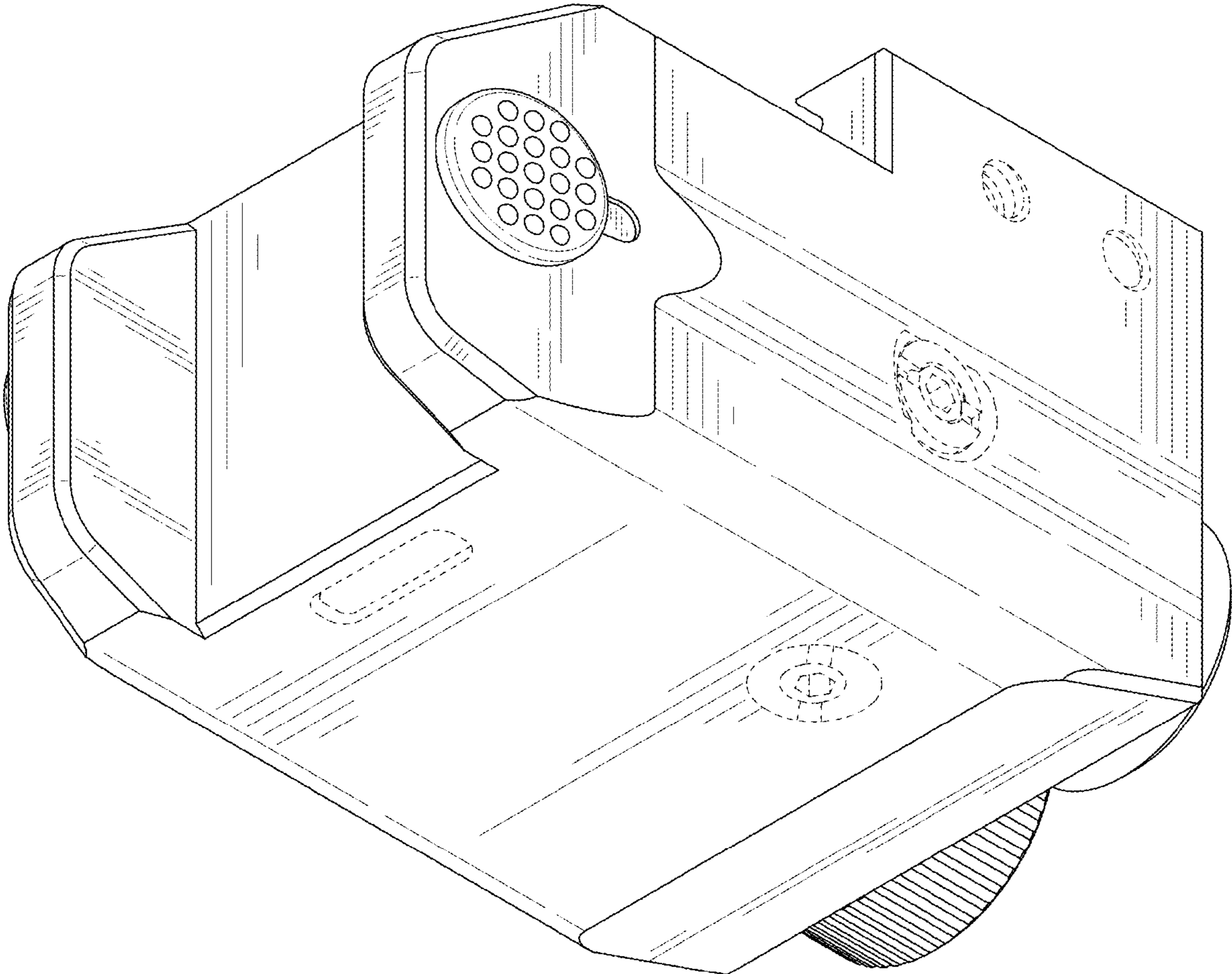


FIG. 2

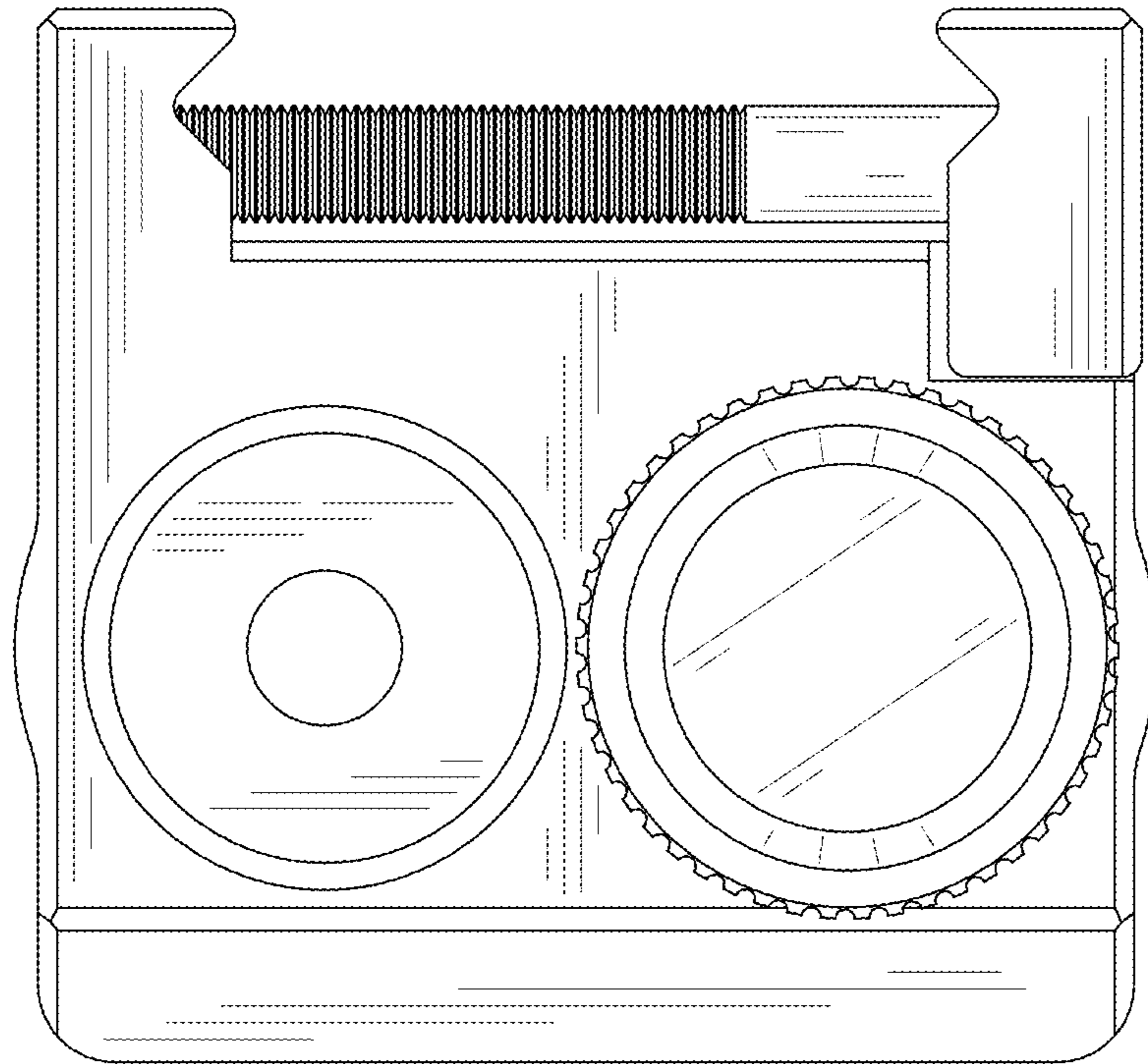


FIG. 3

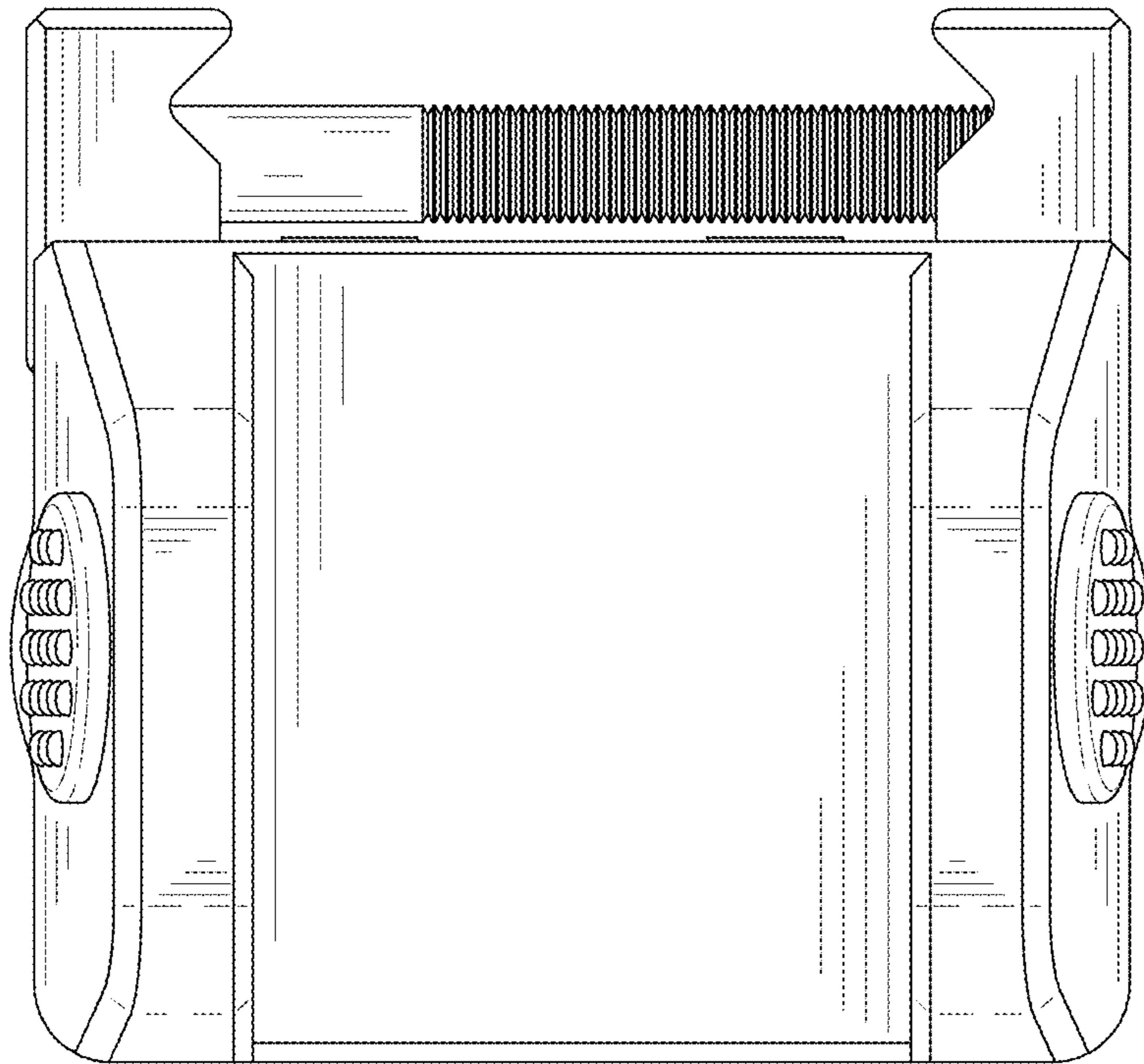


FIG. 4

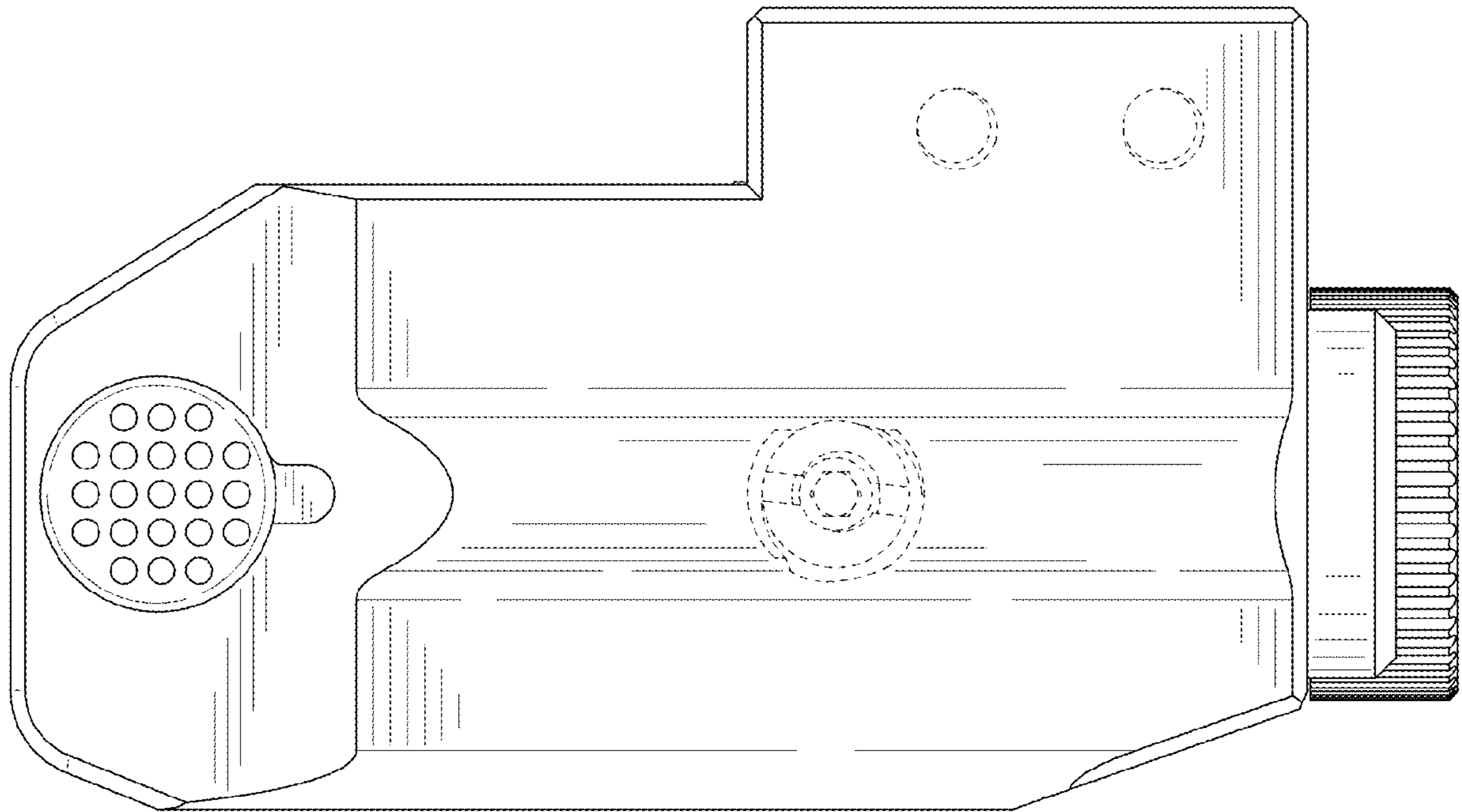


FIG. 5

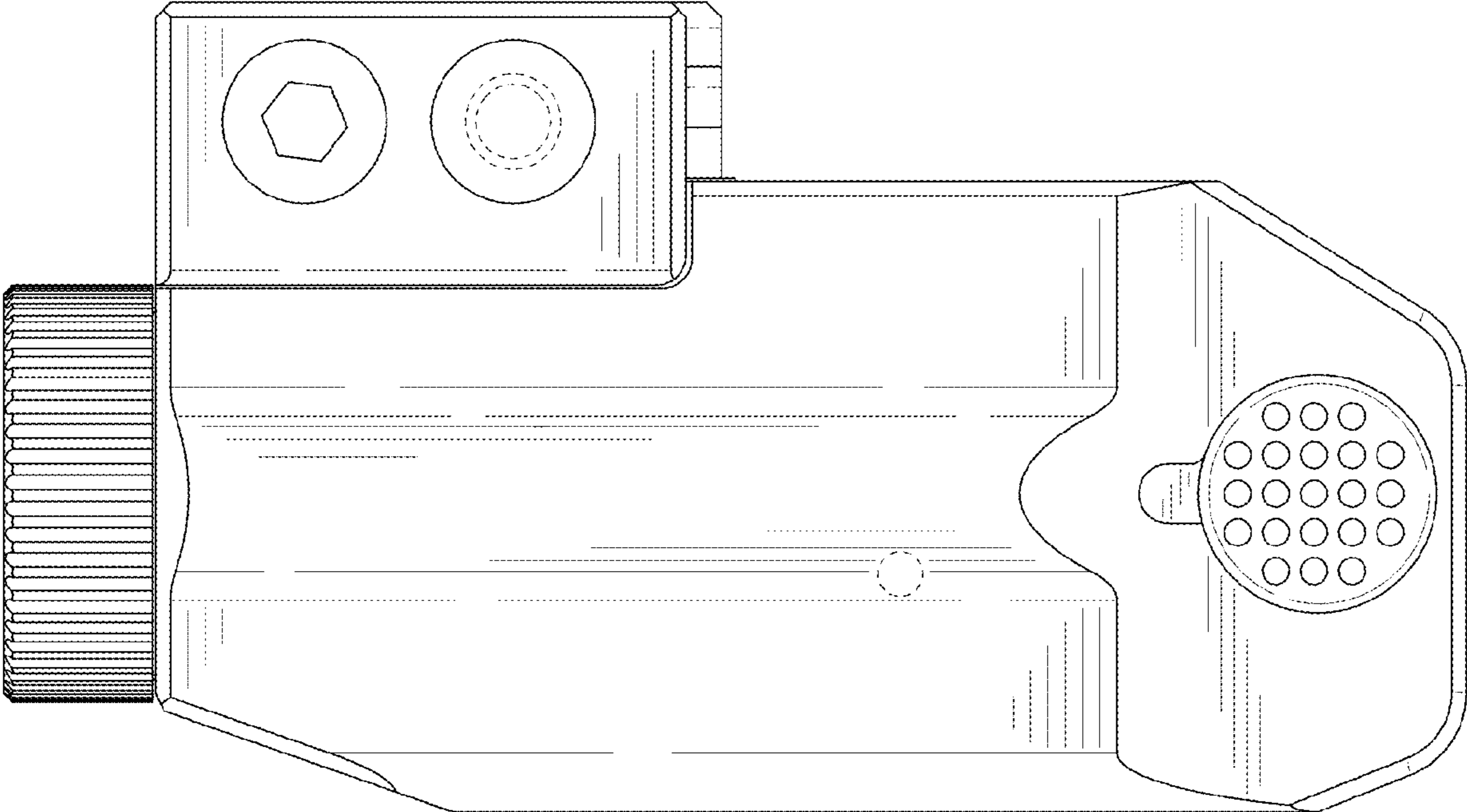


FIG. 6

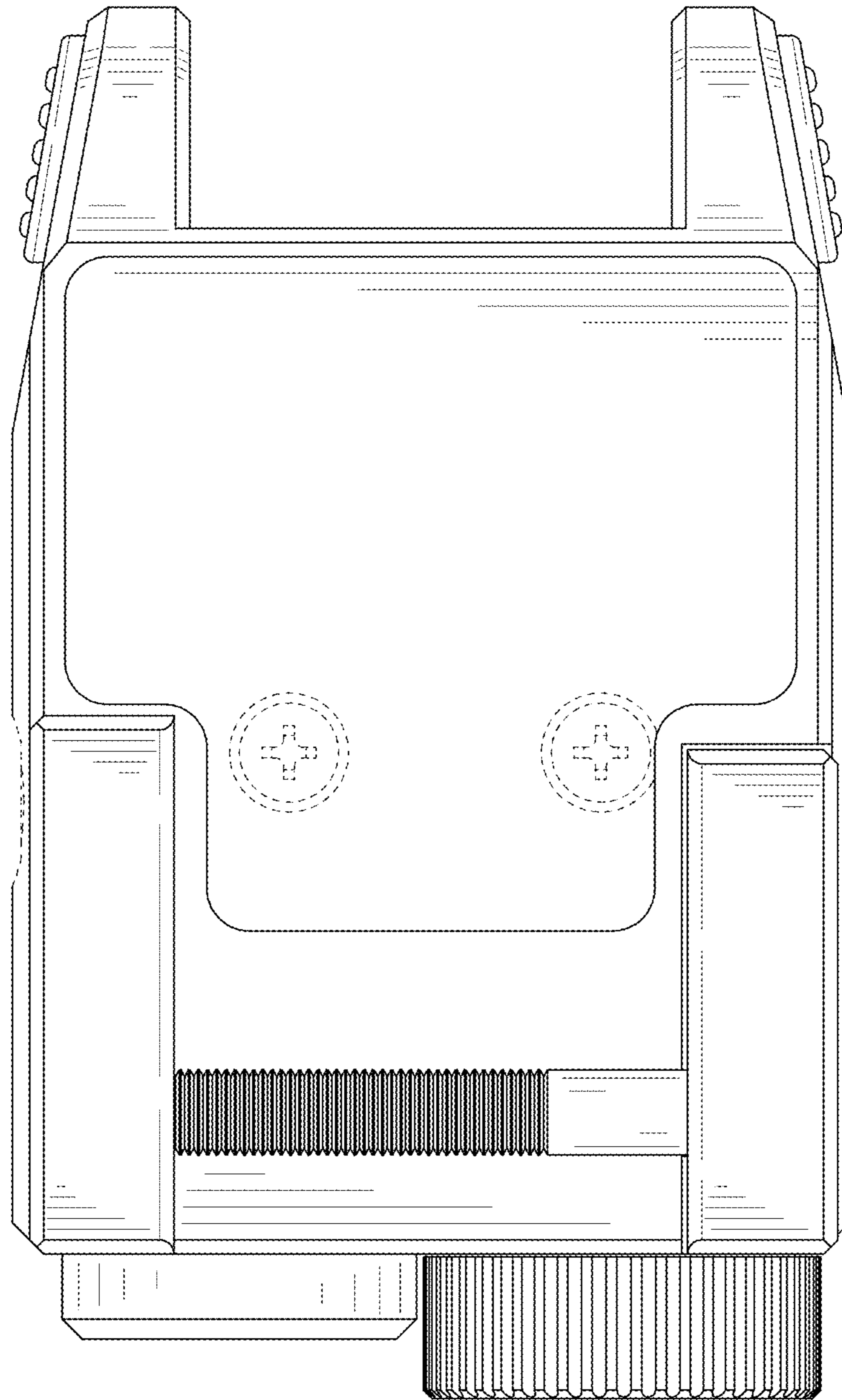


FIG. 7

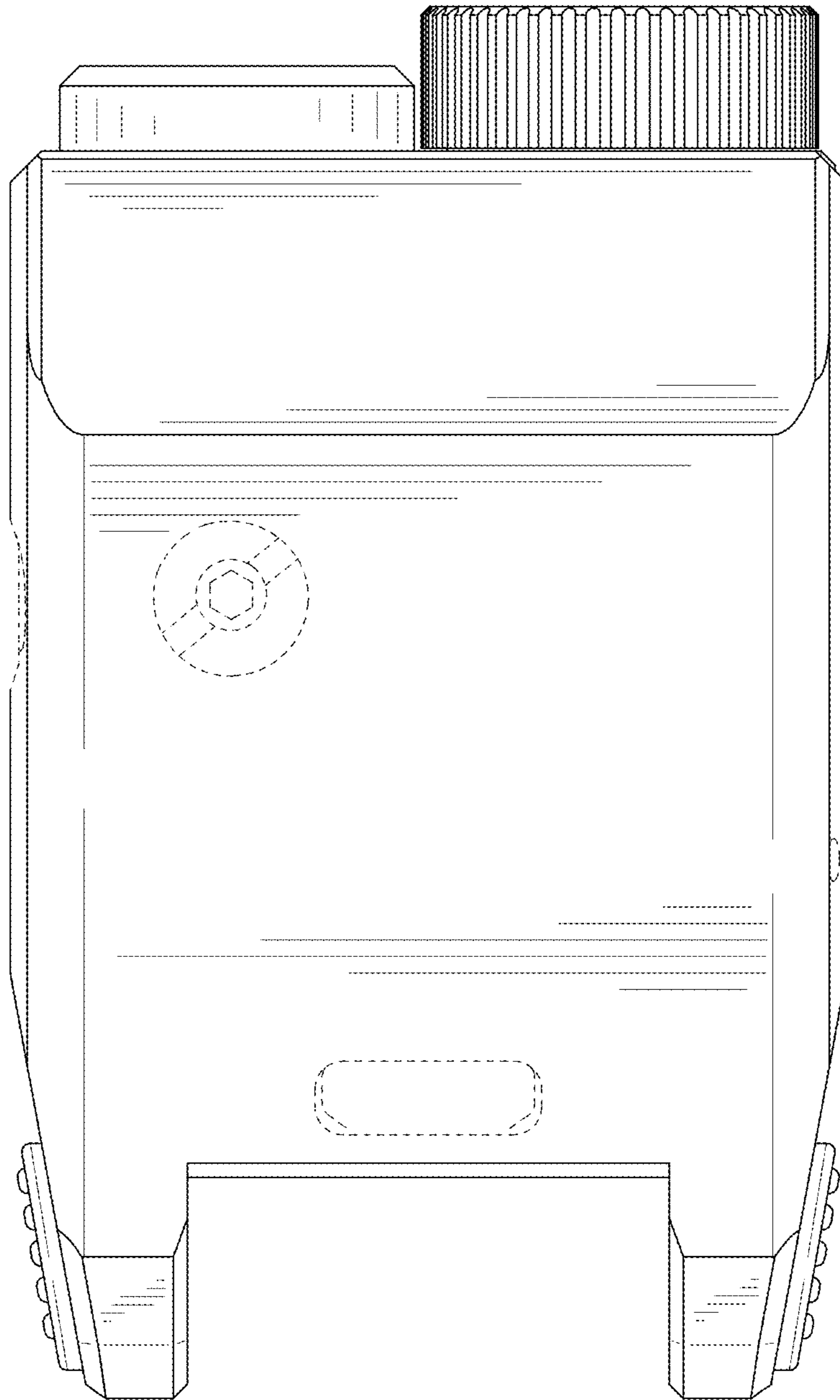


FIG. 8