



US00D947311S

(12) **United States Design Patent**
Bolt-Ray

(10) **Patent No.:** **US D947,311 S**
(45) **Date of Patent:** **** Mar. 29, 2022**

(54) **TWO-PORT COMPENSATOR**

(71) Applicant: **The Rock Guns Inc.**, Fayetteville, NC
(US)

(72) Inventor: **Nathan Joshua Bolt-Ray**, Sanford, NC
(US)

(73) Assignee: **The Rock Guns Inc.**, Fayetteville, NC
(US)

(**) Term: **15 Years**

(21) Appl. No.: **29/734,212**

(22) Filed: **May 11, 2020**

(51) **LOC (13) Cl.** **22-01**

(52) **U.S. Cl.**
USPC **D22/108**

(58) **Field of Classification Search**
USPC D22/100, 101, 103, 104, 105, 108, 199;
D21/573-575

(Continued)

(56) **References Cited**

U.S. PATENT DOCUMENTS

2,656,637 A * 10/1953 Richards F41A 21/42
42/79

D279,812 S * 7/1985 Cellini 89/14.3

(Continued)

OTHER PUBLICATIONS

Agency Arms 118 Dual Port Compensator. Oldest Review: Jun. 7, 2020 [visited: Jan. 10, 2022] Omaha Outdoors URL: <https://www.omahaoutdoors.com/agency-arms-118-dual-port-compensator-mp-9-2-0-9mm-1-2x28-aluminum-118-m2/> (Year: 2020).*

(Continued)

Primary Examiner — Marissa J Cash

Assistant Examiner — Jessie Anne E Touart

(74) *Attorney, Agent, or Firm* — Asgaard Patent Services, LLC; F. Wayne Thompson, Jr.

(57) **CLAIM**

The ornamental design for a two-port compensator, as shown and described.

DESCRIPTION

FIG. 1 is an isometric view of a first embodiment of a two-port compensator;

FIG. 2 is another isometric view of the two-port compensator shown in FIG. 1;

FIG. 3 is a front view of the two-port compensator shown in FIG. 1;

FIG. 4 is a left side view of the two-port compensator shown in FIG. 1;

FIG. 5 is a rear view of the two-port compensator shown in FIG. 1;

FIG. 6 is a right side view of the two-port compensator shown in FIG. 1;

FIG. 7 is a top view of the two-port compensator shown in FIG. 1;

FIG. 8 is a bottom view of the two-port compensator shown in FIG. 1;

FIG. 9 is an isometric view of a second embodiment of a two-port compensator;

FIG. 10 is another isometric view of the two-port compensator shown in FIG. 9;

FIG. 11 is a front view of the two-port compensator shown in FIG. 9;

FIG. 12 is a left side view of the two-port compensator shown in FIG. 9;

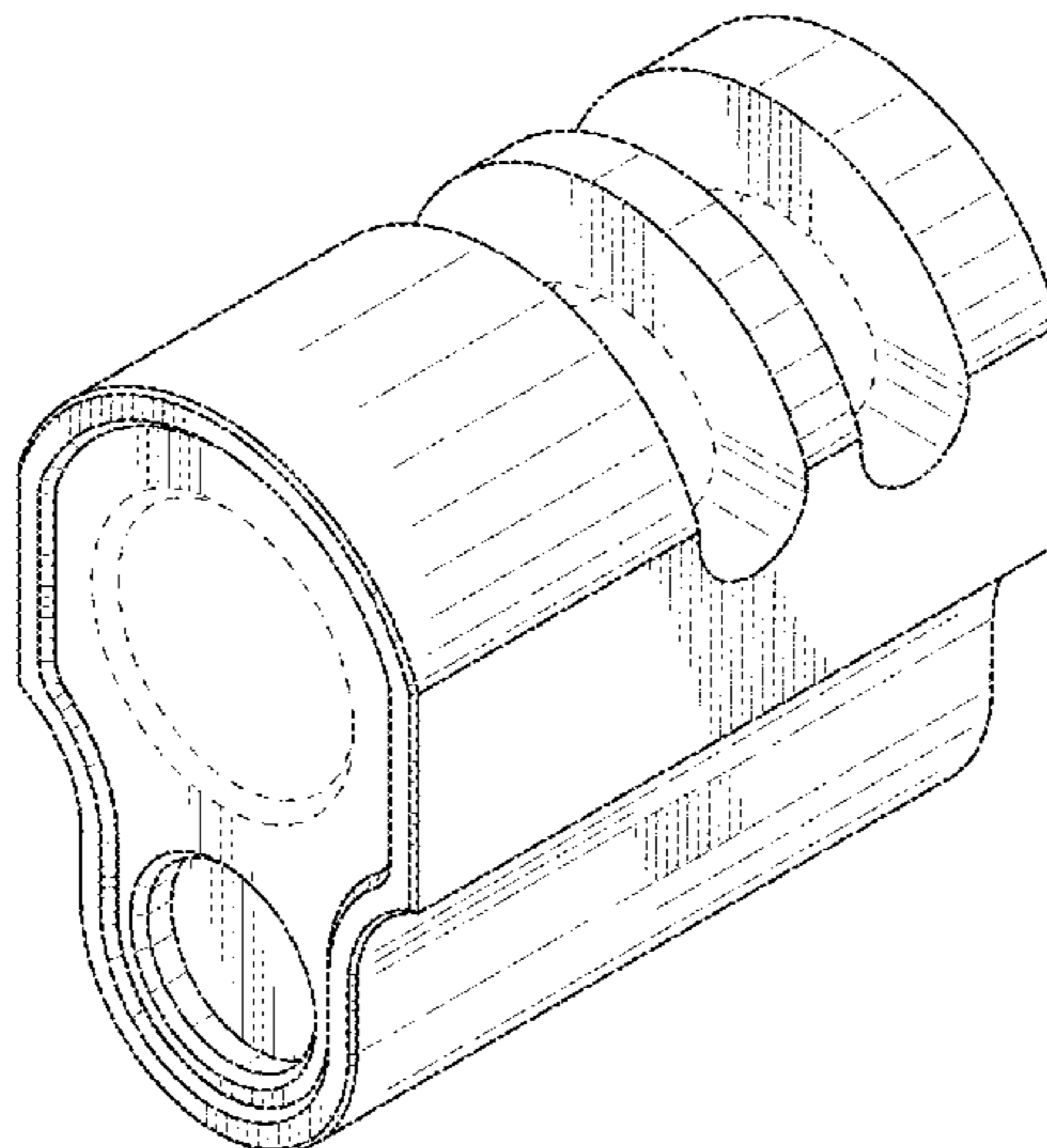
FIG. 13 is a rear view of the two-port compensator shown in FIG. 9;

FIG. 14 is a right side view of the two-port compensator shown in FIG. 9;

FIG. 15 is a top view of the two-port compensator shown in FIG. 9; and,

FIG. 16 is a bottom view of the two-port compensator shown in FIG. 9.

(Continued)



The portions of the two-port compensator shown in broken lines form no part of the claimed design.

1 Claim, 6 Drawing Sheets

(58) Field of Classification Search

CPC F41A 21/30; F41A 21/325; F41A 13/00;
F41A 21/44; F41A 35/04

See application file for complete search history.

(56) References Cited

U.S. PATENT DOCUMENTS

D280,655	S *	9/1985	Cellini	89/14.3
D285,235	S *	8/1986	Cellini	89/14.3
D285,238	S *	8/1986	Cellini	89/14.3
4,691,614	A	9/1987	Leffel	
D417,252	S *	11/1999	Kay	D22/100
D444,786	S *	7/2001	Otomi	D14/418
D532,072	S *	11/2006	Price	D22/108
D682,384	S *	5/2013	Jaureguizar	D22/108
D687,508	S *	8/2013	Peterman	D22/108
D737,396	S *	8/2015	Paganis	D22/108
D760,859	S *	7/2016	Venegas	D22/108
D763,395	S *	8/2016	Joplin	D22/108

D828,475	S *	9/2018	Potter	D22/108
D831,775	S *	10/2018	Hormann	D22/108
D846,684	S *	4/2019	Montes	D22/108
10,323,896	B2	6/2019	Morris, Jr.	
D868,197	S *	11/2019	Bender	D22/108
10,520,271	B2 *	12/2019	Barrett	F41A 11/00
D896,913	S *	9/2020	Curry	D22/108
10,794,652	B2 *	10/2020	Barrett	F41A 21/28
D900,953	S *	11/2020	Iosilevsky	D22/109
D900,954	S *	11/2020	Losilevsky	D22/109
2014/0075800	A1 *	3/2014	Morris, Jr.	F41A 21/36 42/1.06
2019/0101350	A1	4/2019	Hall	
2021/0231407	A1 *	7/2021	Salinas	F41C 3/00

OTHER PUBLICATIONS

Samson Manufacturing. "Shield Pocket Comp". Oldest Review: Mar. 29, 2019 [visited: Jan. 10, 2022] Samson MFG URL: <https://www.samson-mfg.com/04-06031-01.html> (Year: 2019).*

Beretta 92 / M9 Compensator .575-40, Jarvis, Inc. website, [retrieved on Apr. 27, 2020], Retrieved from the Internet: <<https://jarvis-custom.com/product/beretta-92-m9-compensator/>>.

Beretta 92 / M9 Comp Kit .575-40, Jarvis, Inc. website, [retrieved on Apr. 27, 2020], Retrieved from the Internet: <<https://jarvis-custom.com/product/beretta-92-m9-compensator-kit/>>.

* cited by examiner

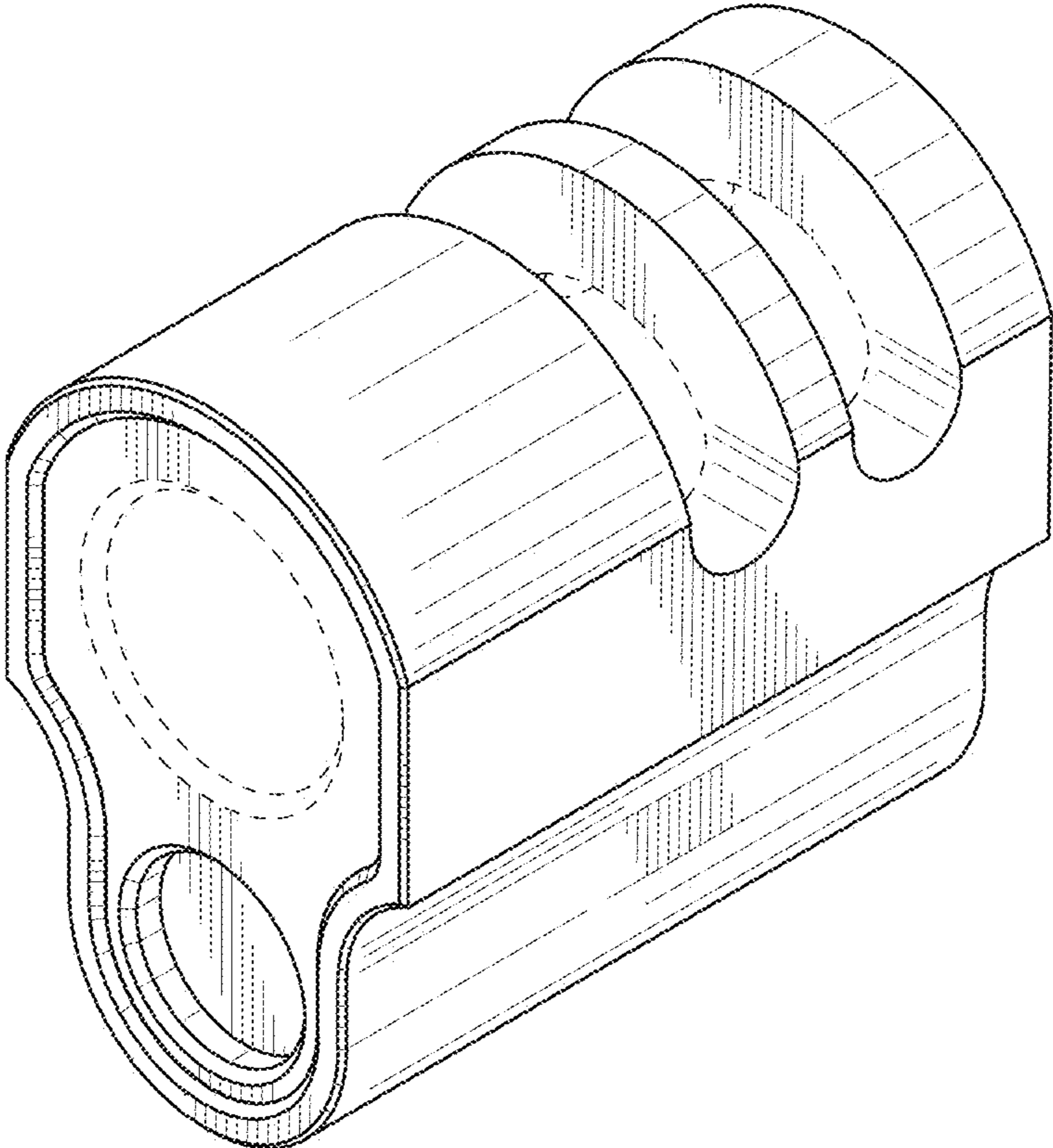


FIG. 1

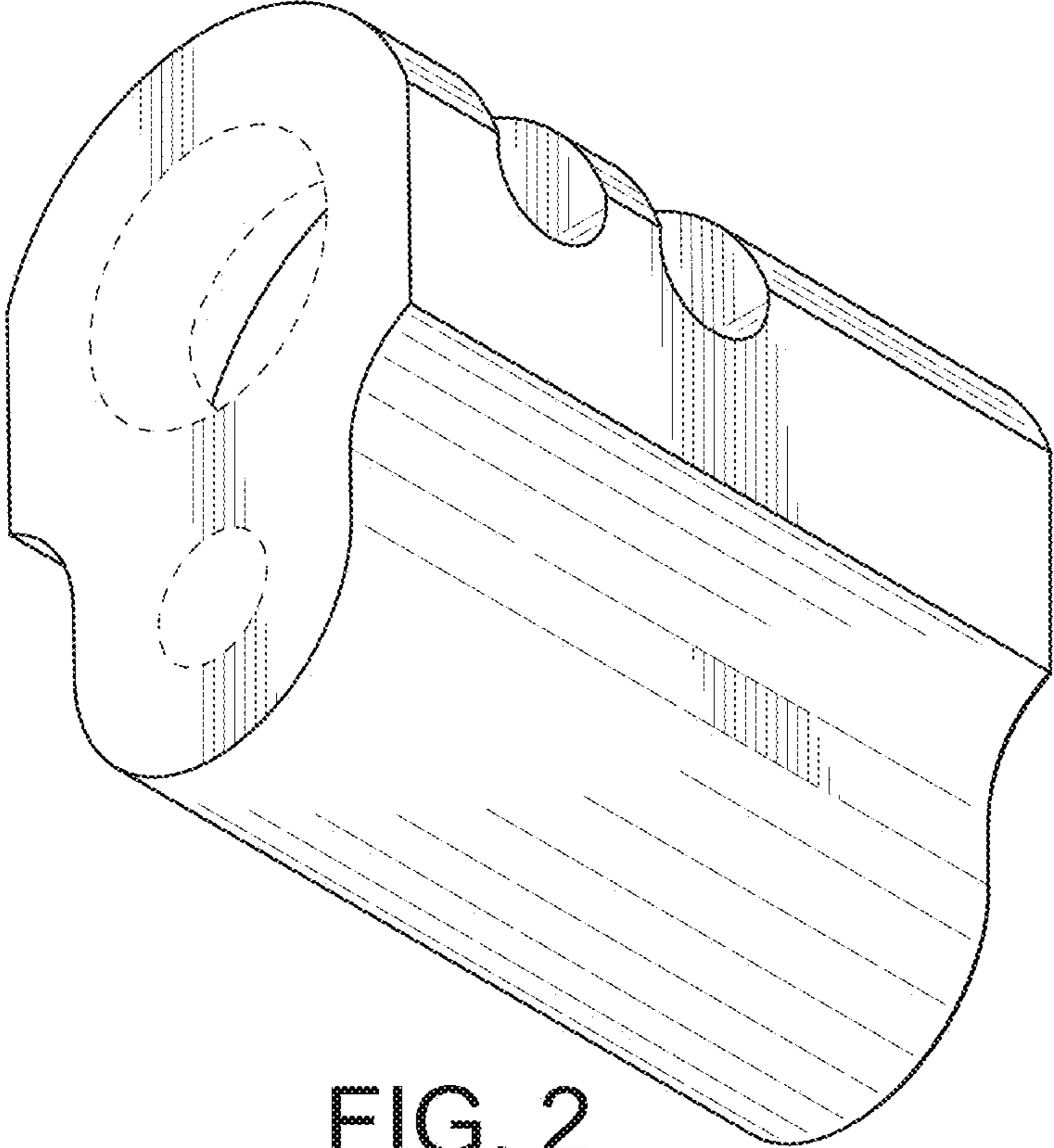


FIG. 2

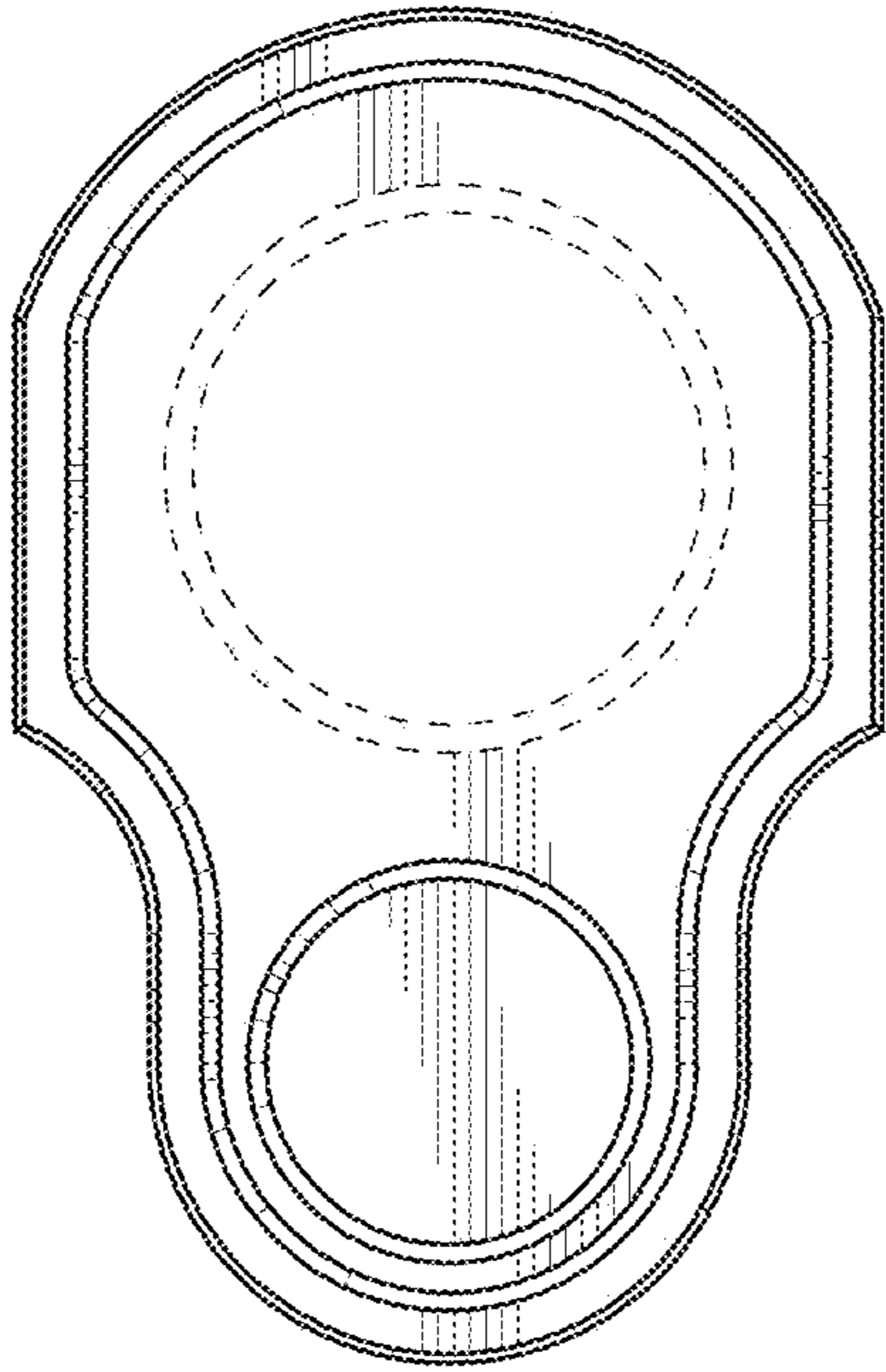


FIG. 3

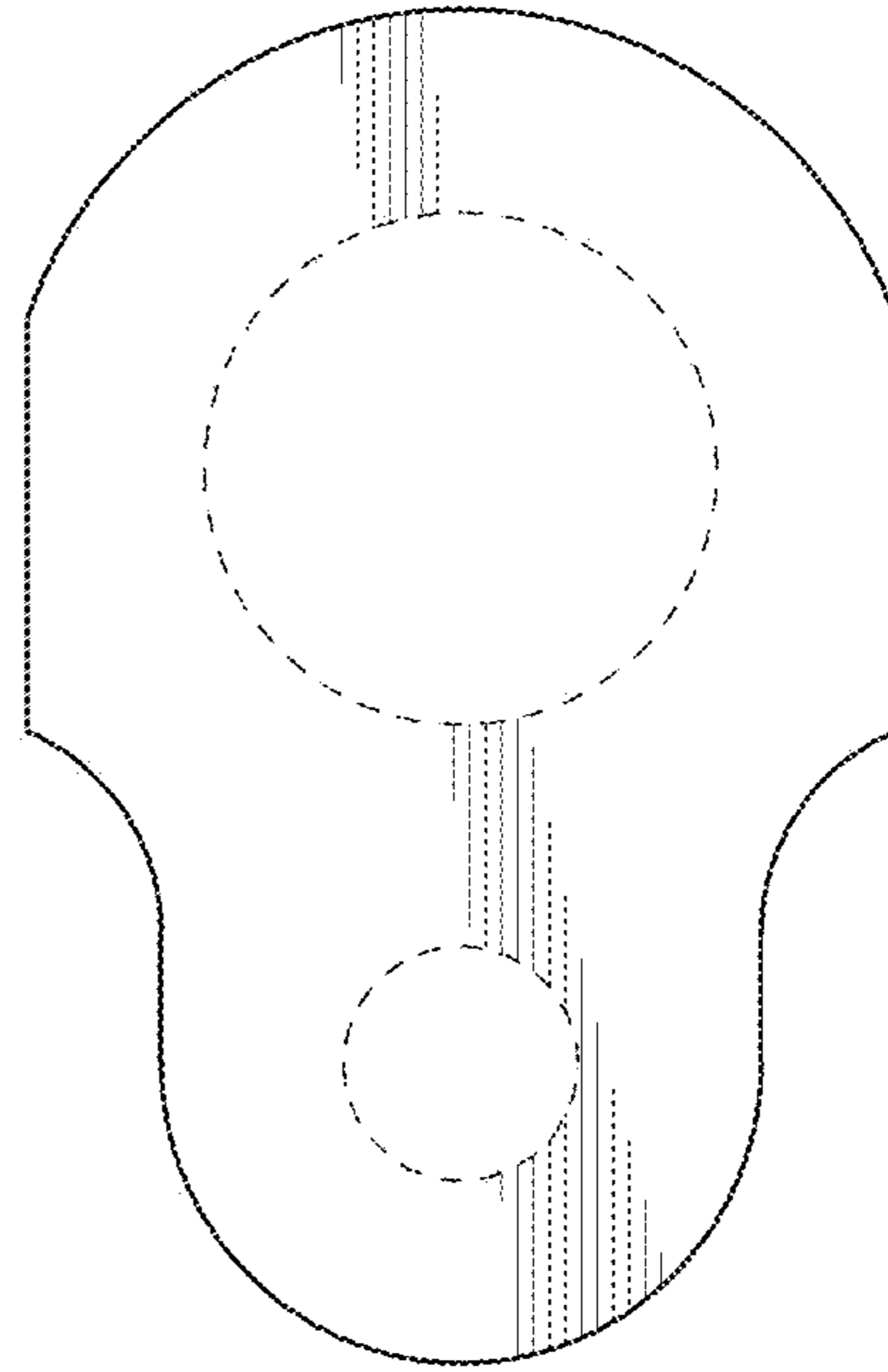


FIG. 5

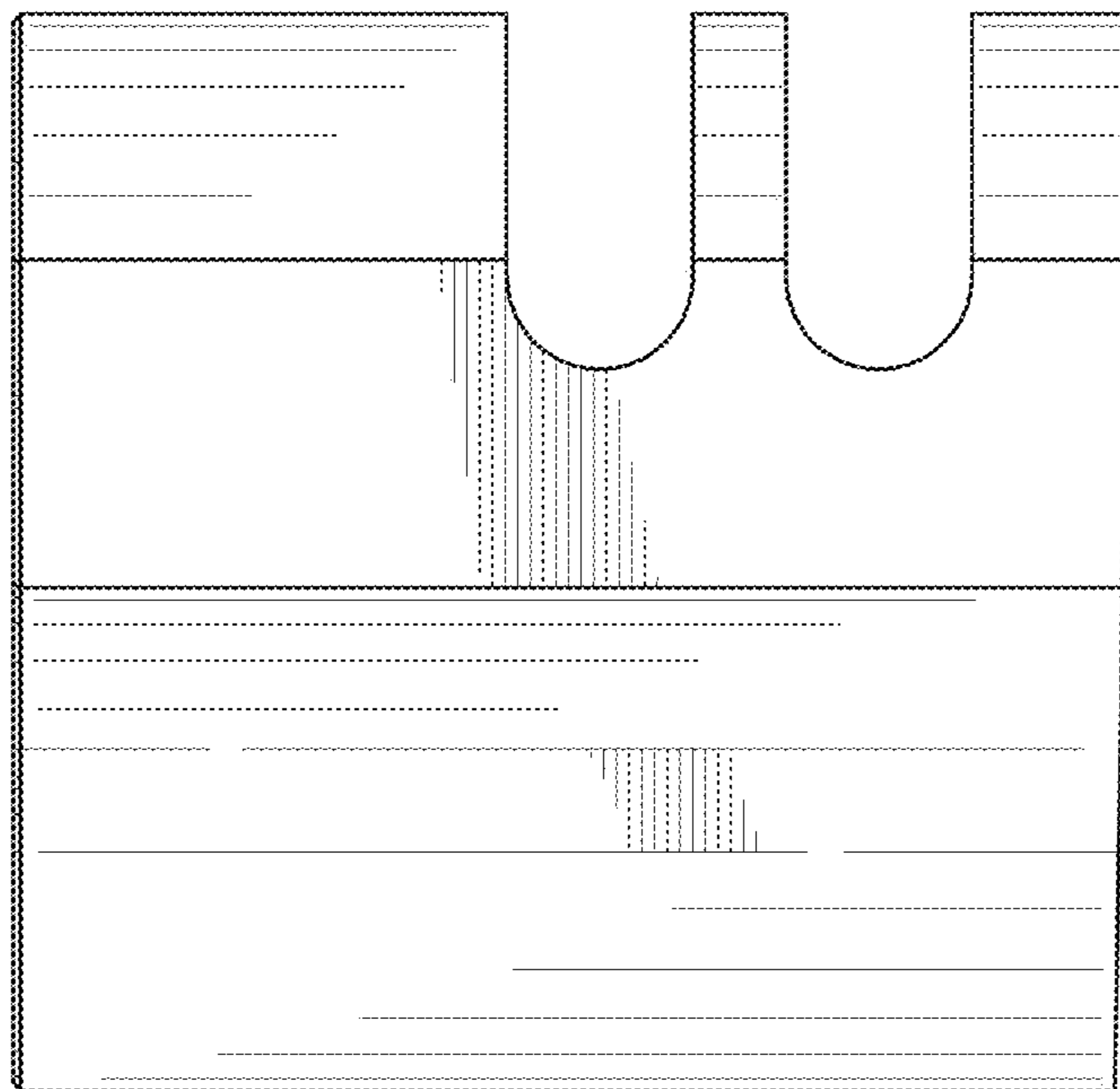


FIG. 4

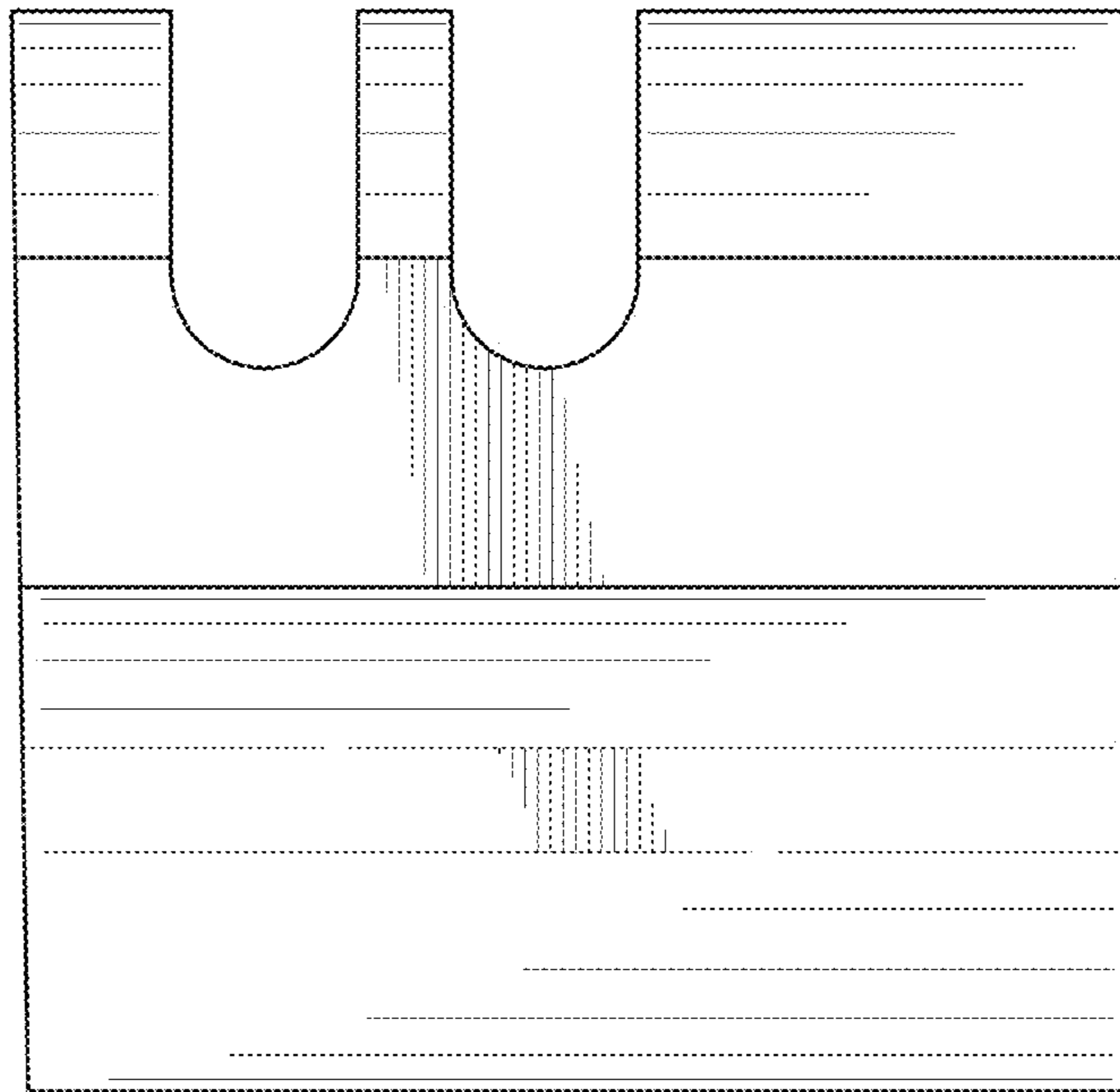


FIG. 6

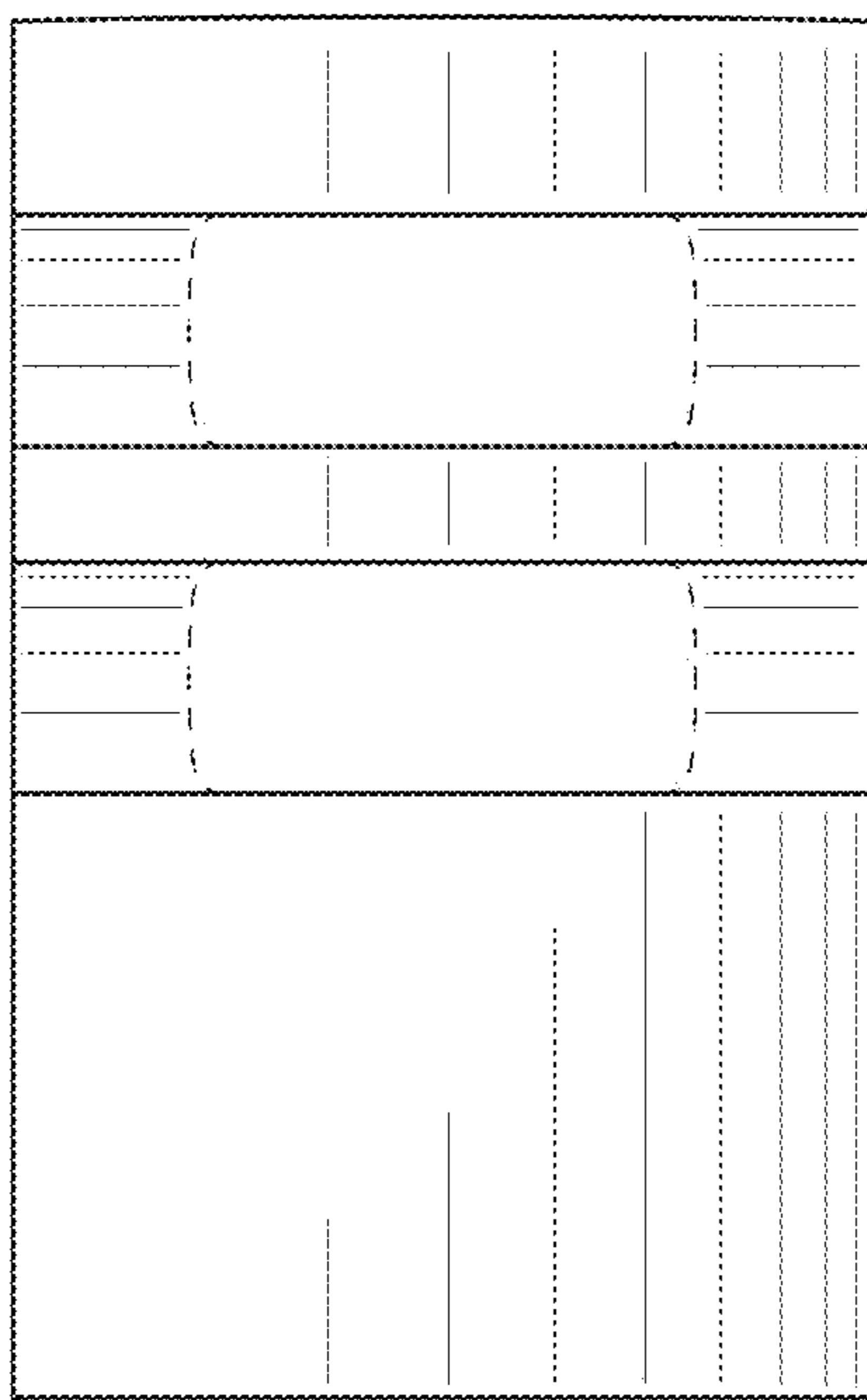


FIG. 7

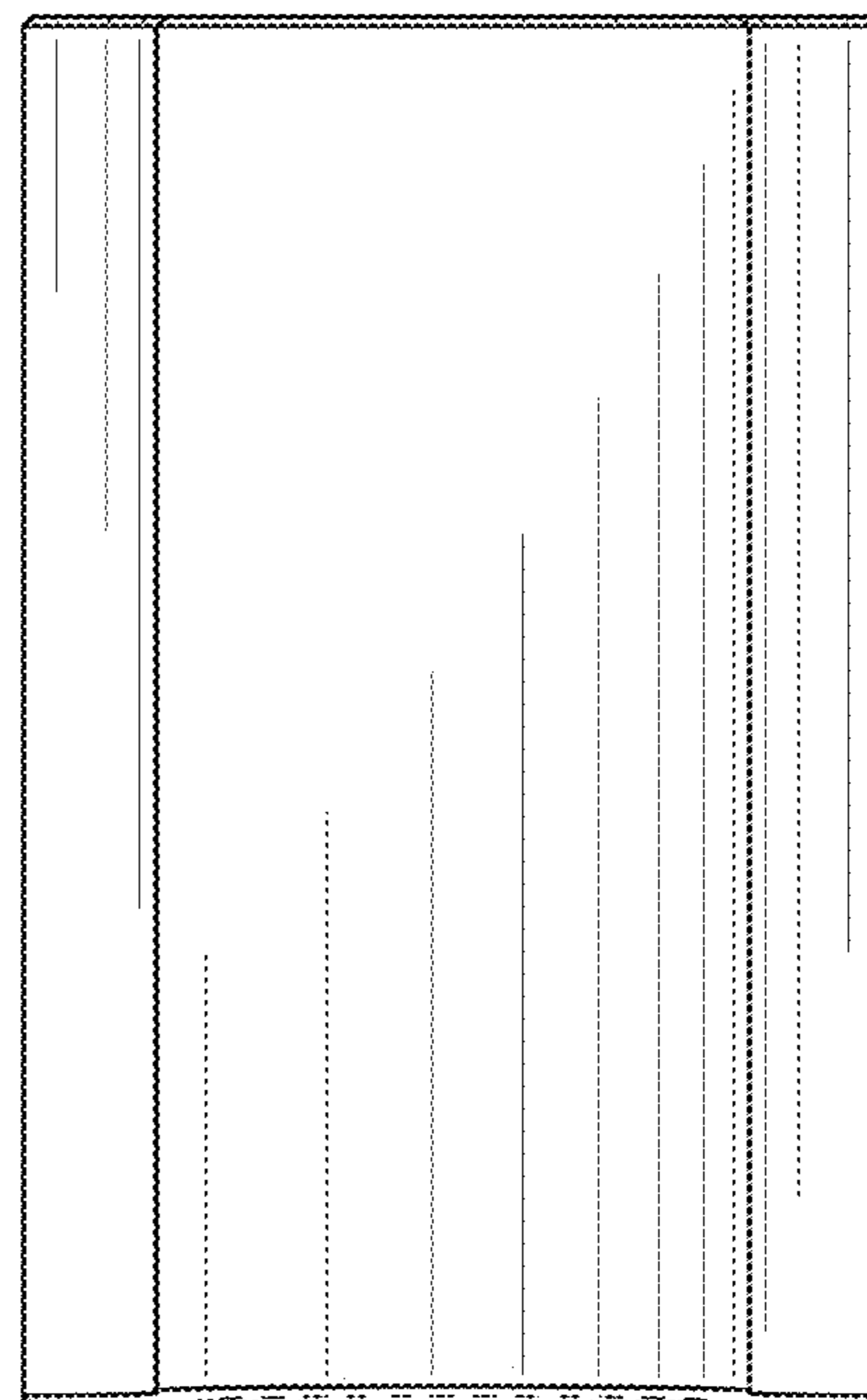


FIG. 8

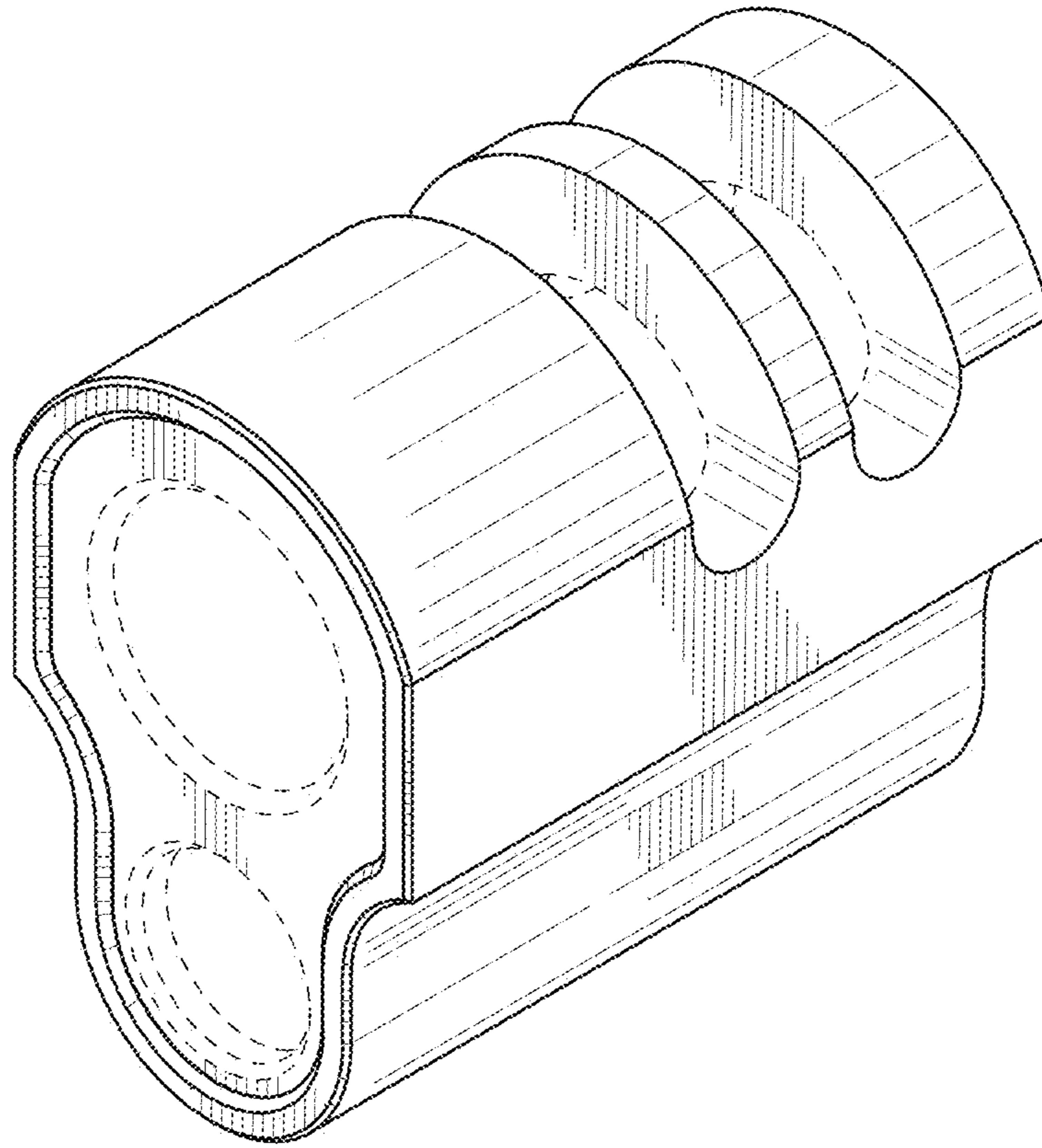


FIG. 9

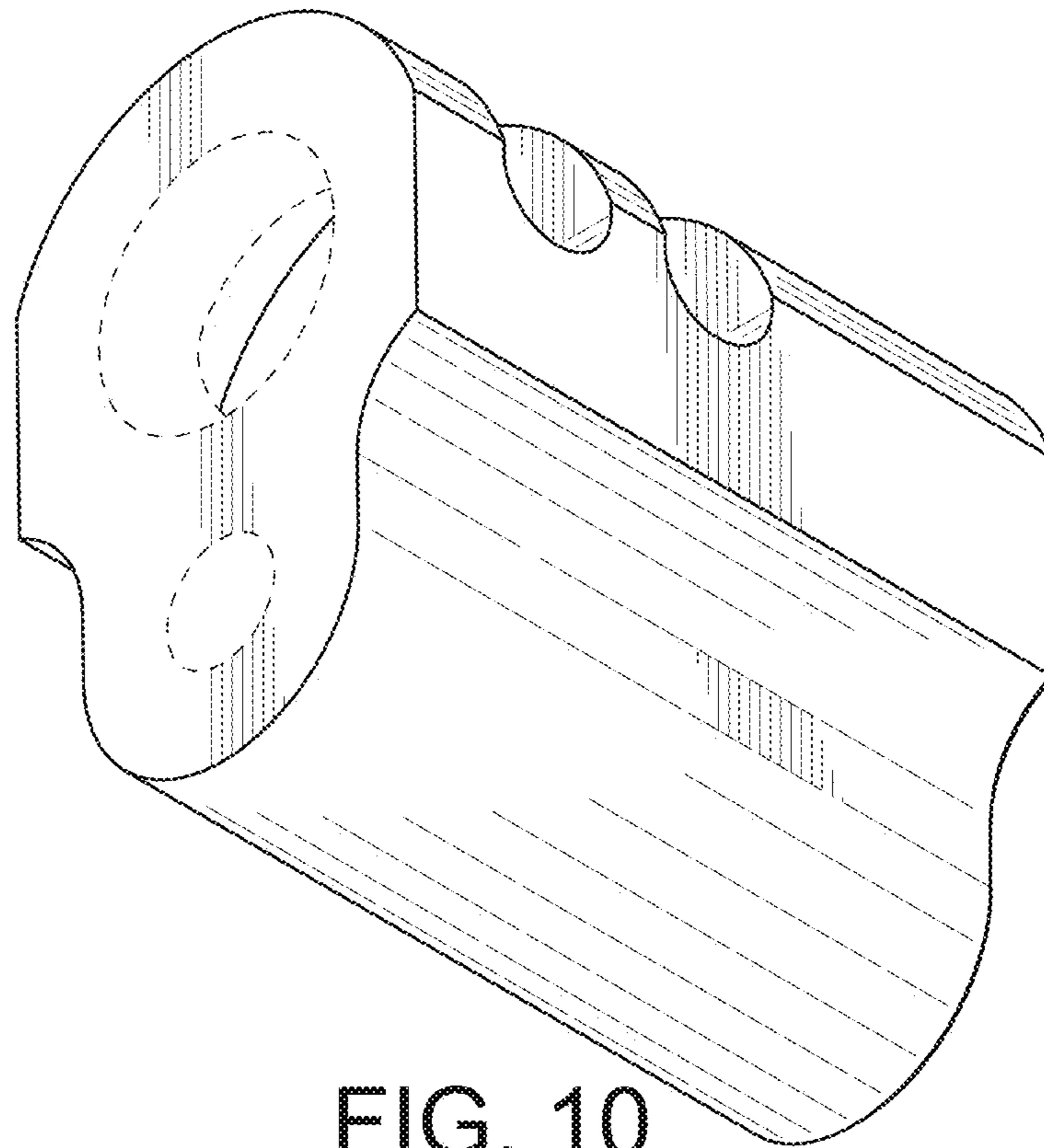


FIG. 10

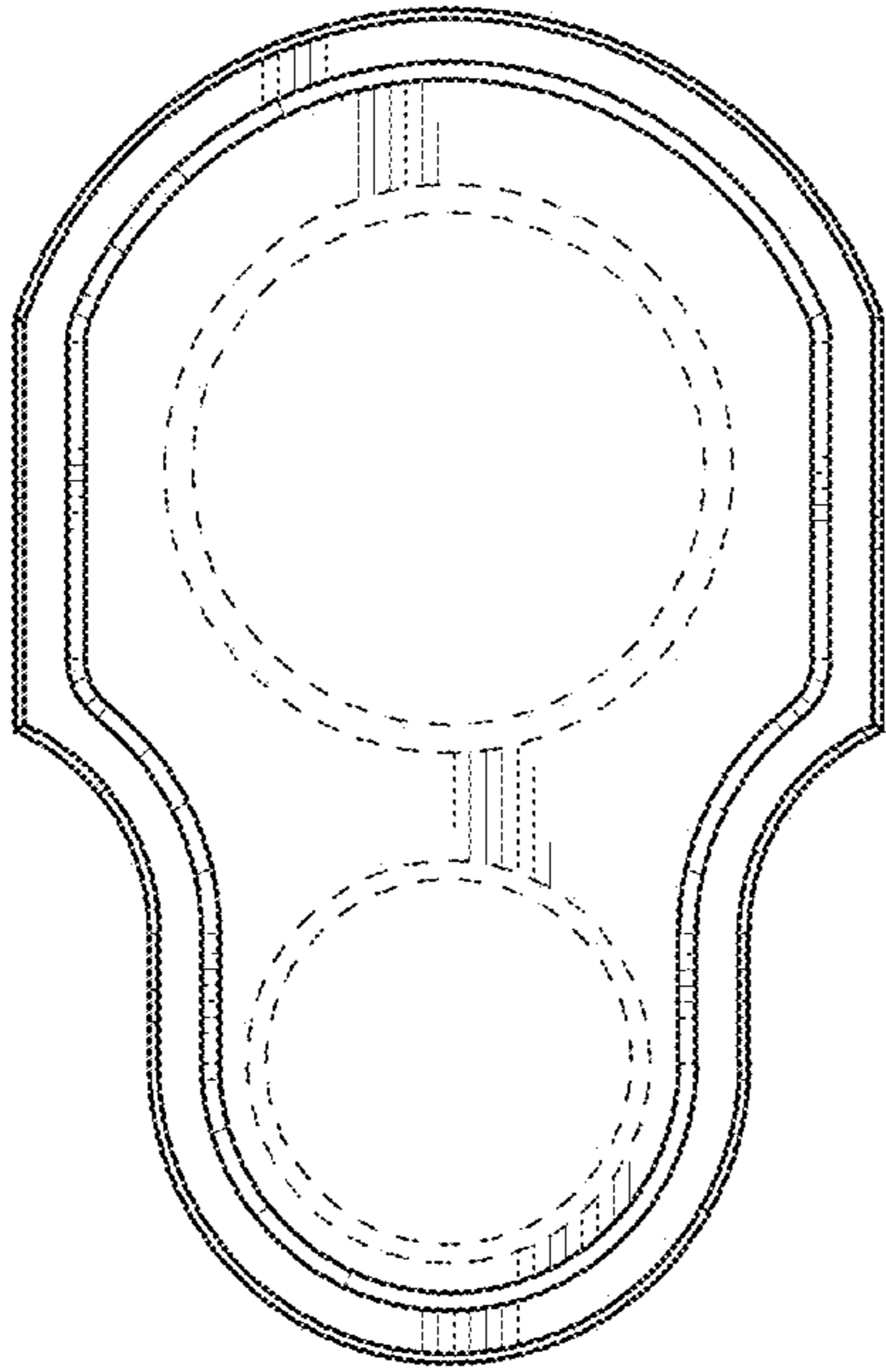


FIG. 11

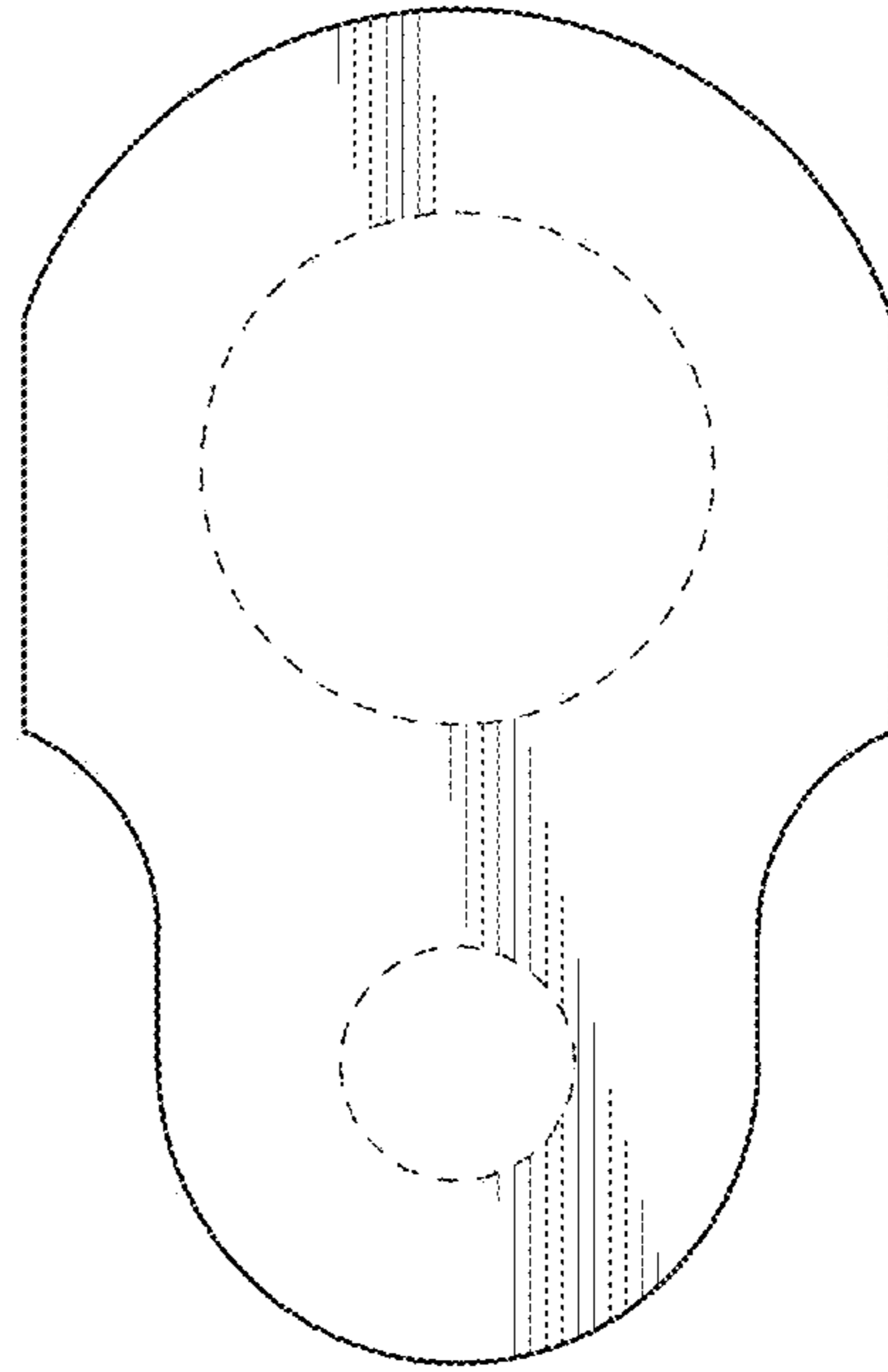


FIG. 13

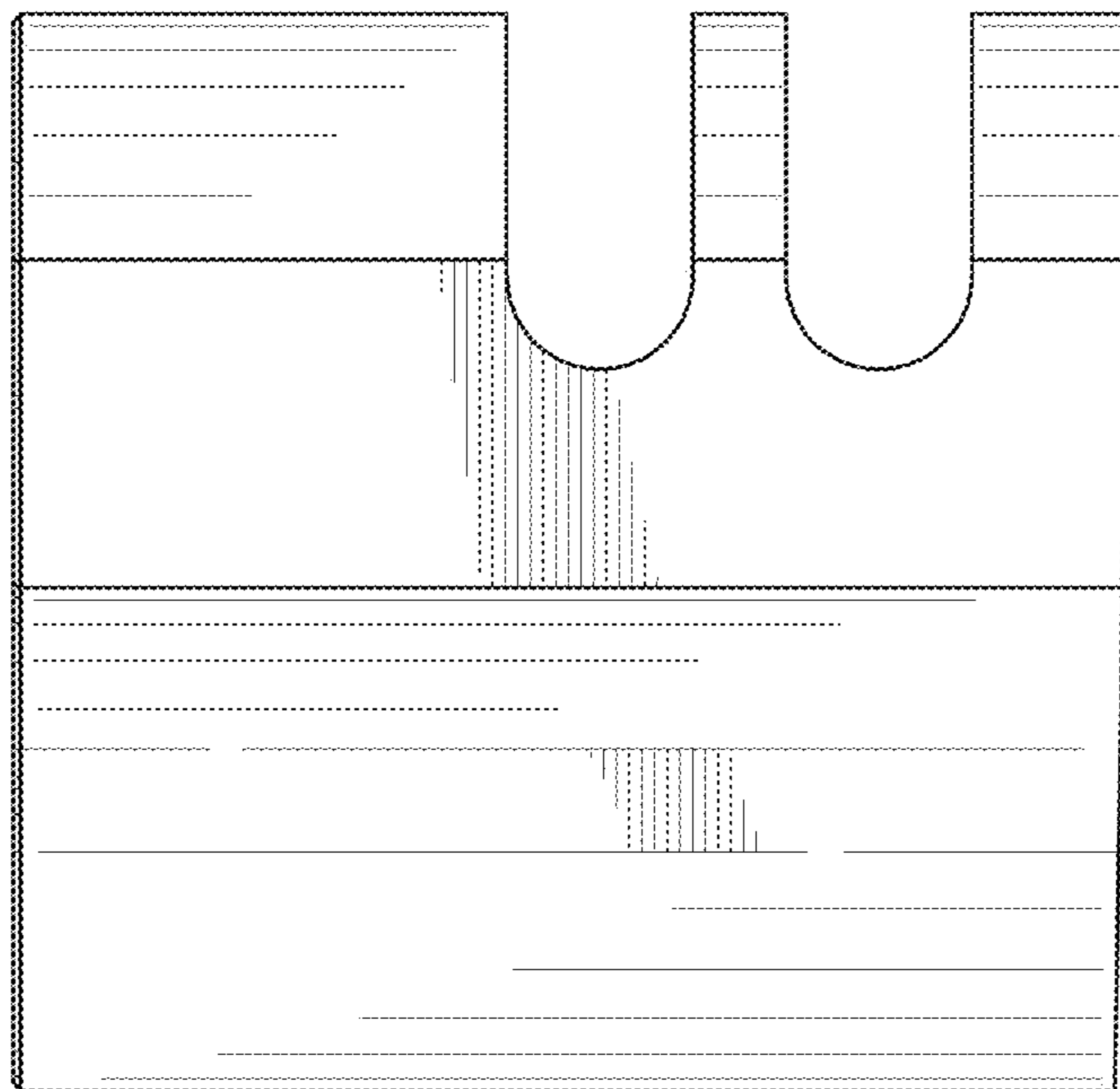


FIG. 12

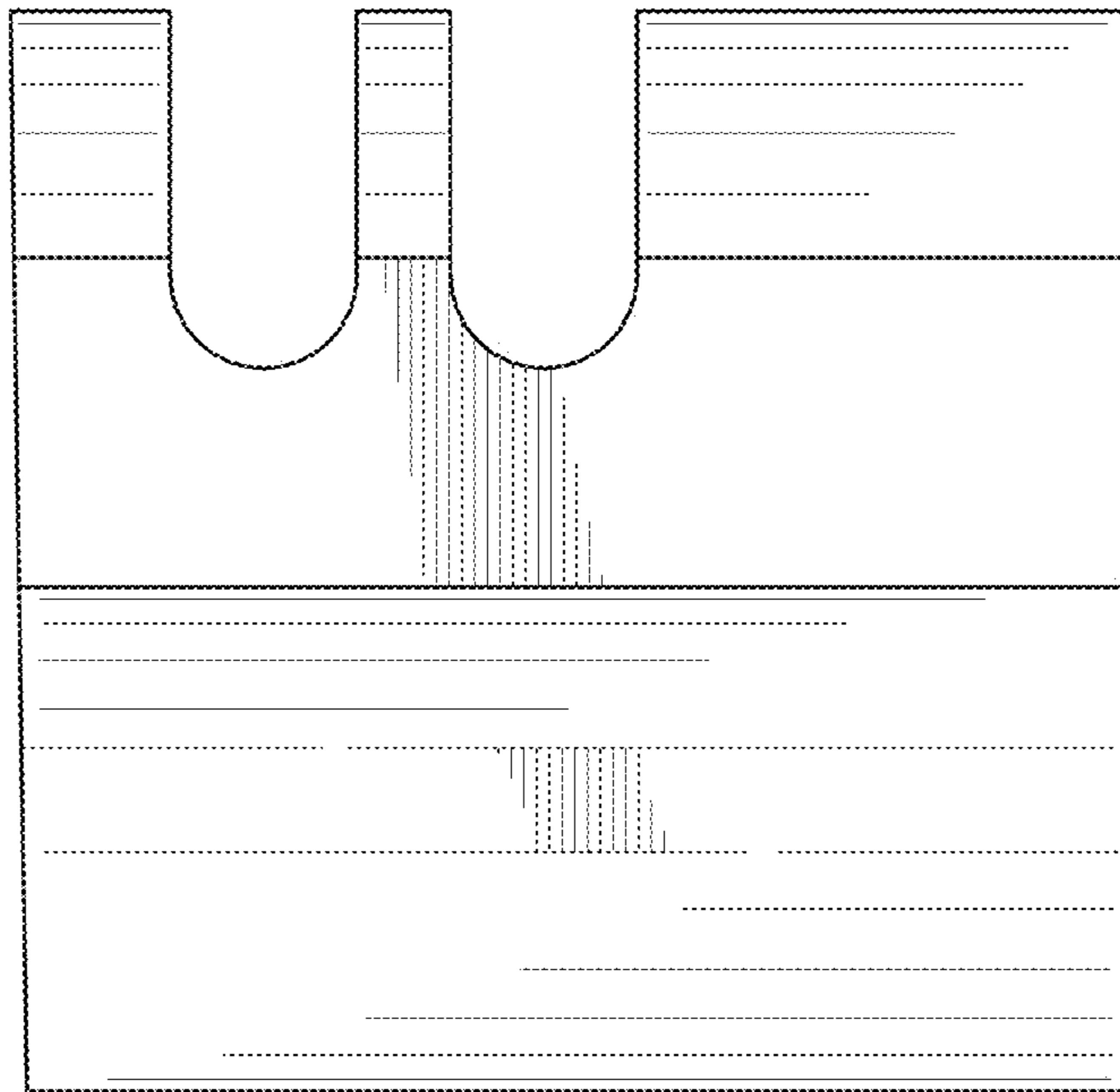


FIG. 14

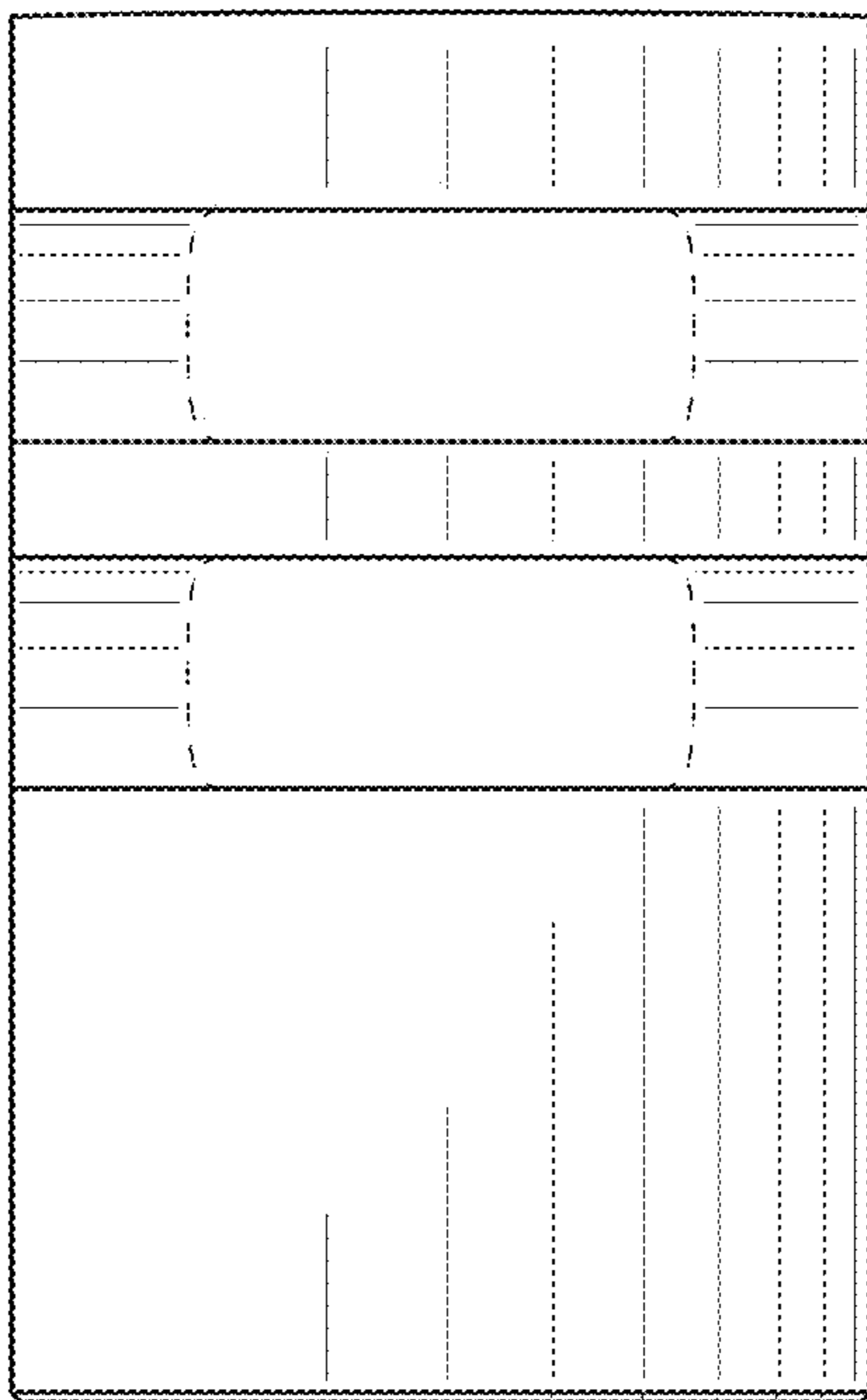


FIG. 15

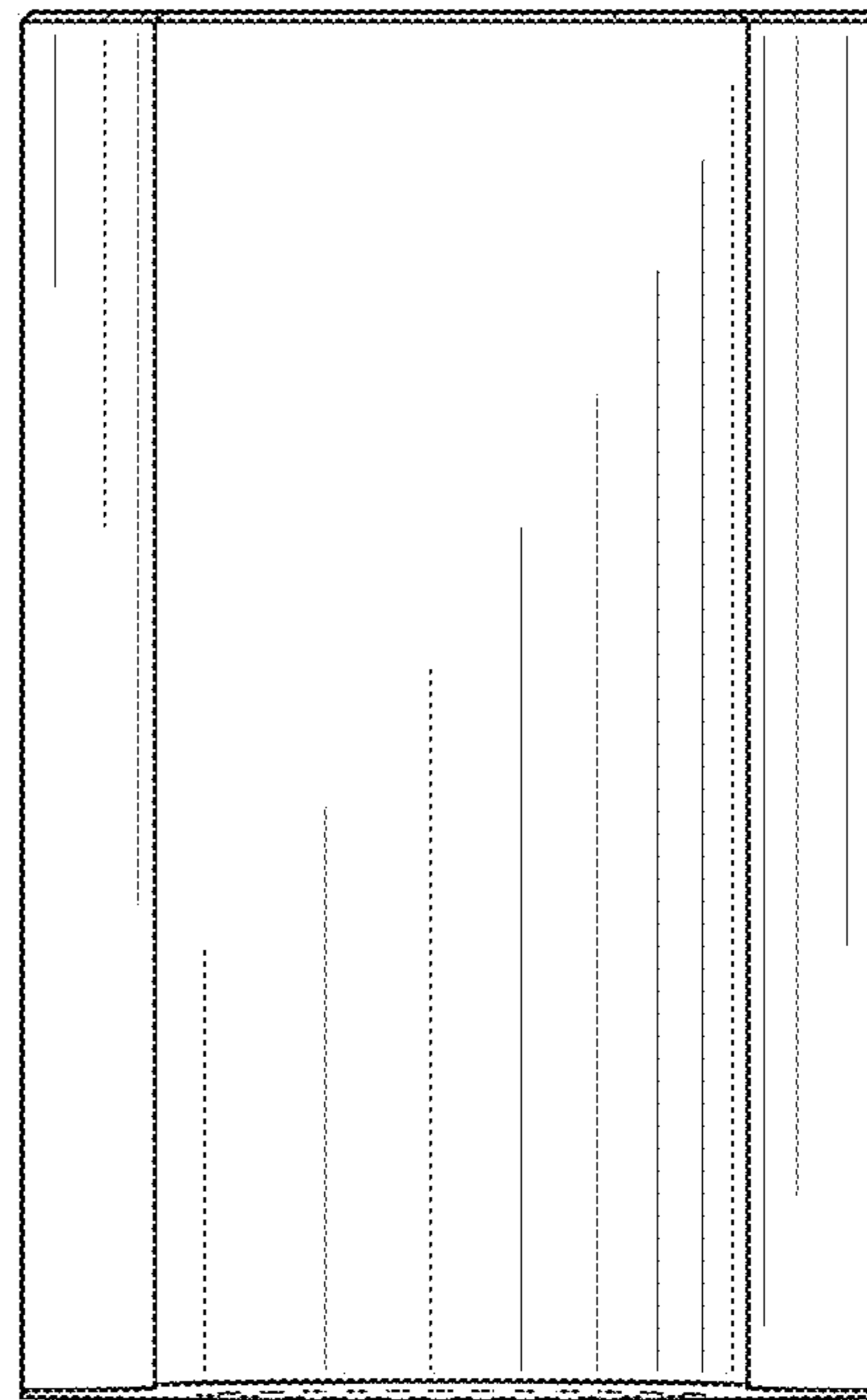


FIG. 16