



US00D947310S

(12) **United States Design Patent**  
**Zimmer**

(10) **Patent No.:** **US D947,310 S**

(45) **Date of Patent:** **\*\* Mar. 29, 2022**

(54) **ACCESSORY MOUNT WITH AN INTEGRATED SWITCH**

(71) Applicant: **Trent Zimmer**, Houma, LA (US)

(72) Inventor: **Trent Zimmer**, Houma, LA (US)

(\*\*) Term: **15 Years**

(21) Appl. No.: **29/709,395**

(22) Filed: **Oct. 14, 2019**

(51) **LOC (13) Cl.** ..... **22-01**

(52) **U.S. Cl.**  
USPC ..... **D22/108**

(58) **Field of Classification Search**  
USPC ..... D22/108, 109, 110, 199; D16/130, 132, D16/136

(Continued)

(56) **References Cited**

**U.S. PATENT DOCUMENTS**

D335,281 S \* 5/1993 Thummel ..... D13/158  
7,332,682 B2 \* 2/2008 Kim ..... F41G 1/34  
200/18

(Continued)

**OTHER PUBLICATIONS**

Nicholas C “Cloud Defensive Tape Switch Rail Mount”  
TheFirearmBlog.com, published: Nov. 11, 2016, [site visited Aug. 9, 2021] URL: <https://www.thefirearmblog.com/blog/2016/11/11/cloud-defensive-tape-switch-rail-mount/> (Year: 2016).\*

(Continued)

*Primary Examiner* — Marissa J Cash

*Assistant Examiner* — Jessie Anne E Touart

(74) *Attorney, Agent, or Firm* — Asgaard Patent Services, LLC; F. Wayne Thompson, Jr.

(57) **CLAIM**

The ornamental design for an accessory mount with an integrated switch, as shown and described.

**DESCRIPTION**

FIG. 1 is a top isometric view of a first embodiment of an accessory mount with an integrated switch, wherein an example illumination device is shown in broken lines;

FIG. 2 is a top isometric view of the accessory mount with an integrated switch shown in FIG. 1, wherein the example illumination device is not shown;

FIG. 3 is a bottom isometric view of the accessory mount with an integrated switch shown in FIG. 2;

FIG. 4 is a front view of the accessory mount with an integrated switch shown in FIG. 2;

FIG. 5 is a right side view of the accessory mount with an integrated switch shown in FIG. 2;

FIG. 6 is a back view of the accessory mount with an integrated switch shown in FIG. 2;

FIG. 7 is a left side view of the accessory mount with an integrated switch shown in FIG. 2;

FIG. 8 is a top view of the accessory mount with an integrated switch shown in FIG. 2;

FIG. 9 is a bottom view of the accessory mount with an integrated switch shown in FIG. 2;

FIG. 10 is a top isometric view of a second embodiment of an accessory mount with an integrated switch, wherein an example illumination device is shown in broken lines;

FIG. 11 is a top isometric view of the accessory mount with an integrated switch shown in FIG. 10, wherein the example illumination device is not shown;

FIG. 12 is a bottom isometric view of the accessory mount with an integrated switch shown in FIG. 11;

FIG. 13 is a front view of the accessory mount with an integrated switch shown in FIG. 11;

FIG. 14 is a right side view of the accessory mount with an integrated switch shown in FIG. 11;

FIG. 15 is a back view of the accessory mount with an integrated switch shown in FIG. 11;

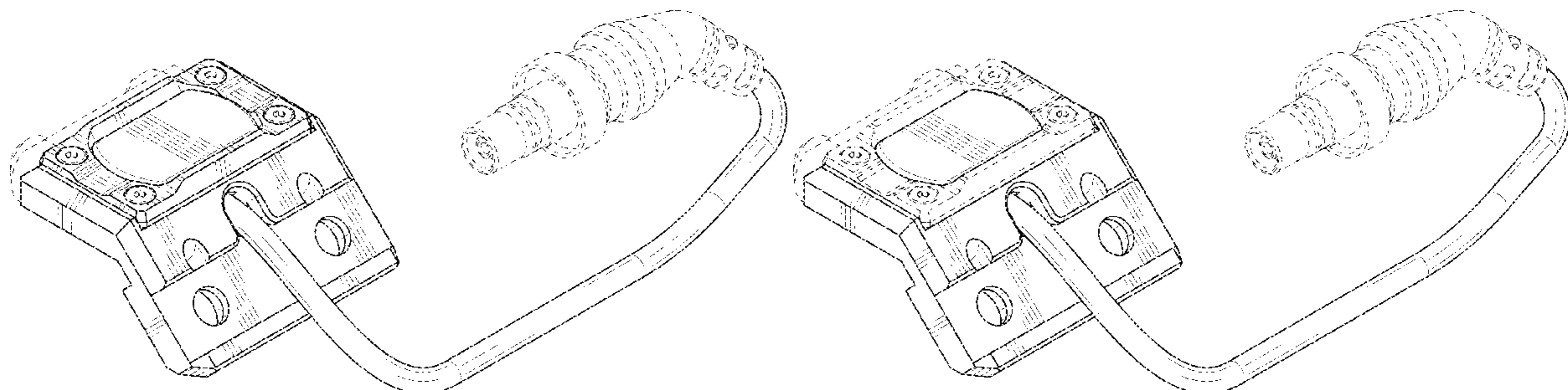
FIG. 16 is a left side view of the accessory mount with an integrated switch shown in FIG. 11;

FIG. 17 is a top view of the accessory mount with an integrated switch shown in FIG. 11; and,

FIG. 18 is a bottom view of the accessory mount with an integrated switch shown in FIG. 11.

The broken lines showing the example illumination device form no part of the claimed design. The remainder of the

(Continued)



broken lines represent portions of the accessory mount with an integrated switch that form no part of the claimed design.

**1 Claim, 16 Drawing Sheets**

(58) **Field of Classification Search**

CPC . F41C 27/00; F41G 1/387; F41G 1/02; F41G 1/06; F41G 1/10; F41G 1/30; F41G 11/001; F41G 11/003; F41G 11/004; F41G 11/005

See application file for complete search history.

(56) **References Cited**

U.S. PATENT DOCUMENTS

7,441,918 B2 \* 10/2008 Kim ..... F41G 1/34  
200/18  
7,685,759 B2 \* 3/2010 Teetzel ..... F41G 11/003  
42/127  
8,800,194 B2 \* 8/2014 Teetzel ..... F41G 11/003  
42/124  
D718,833 S \* 12/2014 Huang ..... D22/108  
D750,191 S \* 2/2016 Pittman ..... D22/108  
9,488,446 B2 \* 11/2016 Zimmer ..... F41G 11/003

D818,517 S \* 5/2018 Szarawarski ..... D16/242  
9,991,062 B2 \* 6/2018 Zimmer ..... H01H 9/0235  
10,151,564 B2 \* 12/2018 Galli ..... F41G 1/35  
10,634,455 B2 \* 4/2020 Galli ..... F41G 11/003  
10,641,583 B2 \* 5/2020 Zimmer ..... F41G 11/003  
D902,161 S \* 11/2020 Zimmer ..... D13/158  
D906,988 S \* 1/2021 Zimmer ..... D13/158  
D908,275 S \* 1/2021 Galli ..... D26/138  
D910,798 S \* 2/2021 Pittman ..... D22/108  
D921,815 S \* 6/2021 Lee ..... D22/108  
D921,816 S \* 6/2021 Lee ..... D22/108  
D926,283 S \* 7/2021 Wang ..... D22/108  
11,067,363 B2 \* 7/2021 Galli ..... H05B 45/00  
D931,231 S \* 9/2021 Zimmer ..... D13/158  
D931,233 S \* 9/2021 Pan ..... D13/158  
D936,613 S \* 11/2021 Zimmer ..... D13/158

OTHER PUBLICATIONS

Modlite Modbutton, published: Jan. 15, 2021 [site visited Aug. 9, 2021] URL: <https://modlite.com/products/modlite-modbutton> (Year: 2021).\*

Matt E. "Modlite's New ModButton Integrated Light Mount" TheFirearmBlog.com, published: Jan. 29, 2020 [site visited Aug. 9, 2021] URL: <https://www.thefirearmblog.com/blog/2020/01/29/shot-2020-modlites-new-modbutton-integrated-light-mount/> (Year: 2020).\*

\* cited by examiner

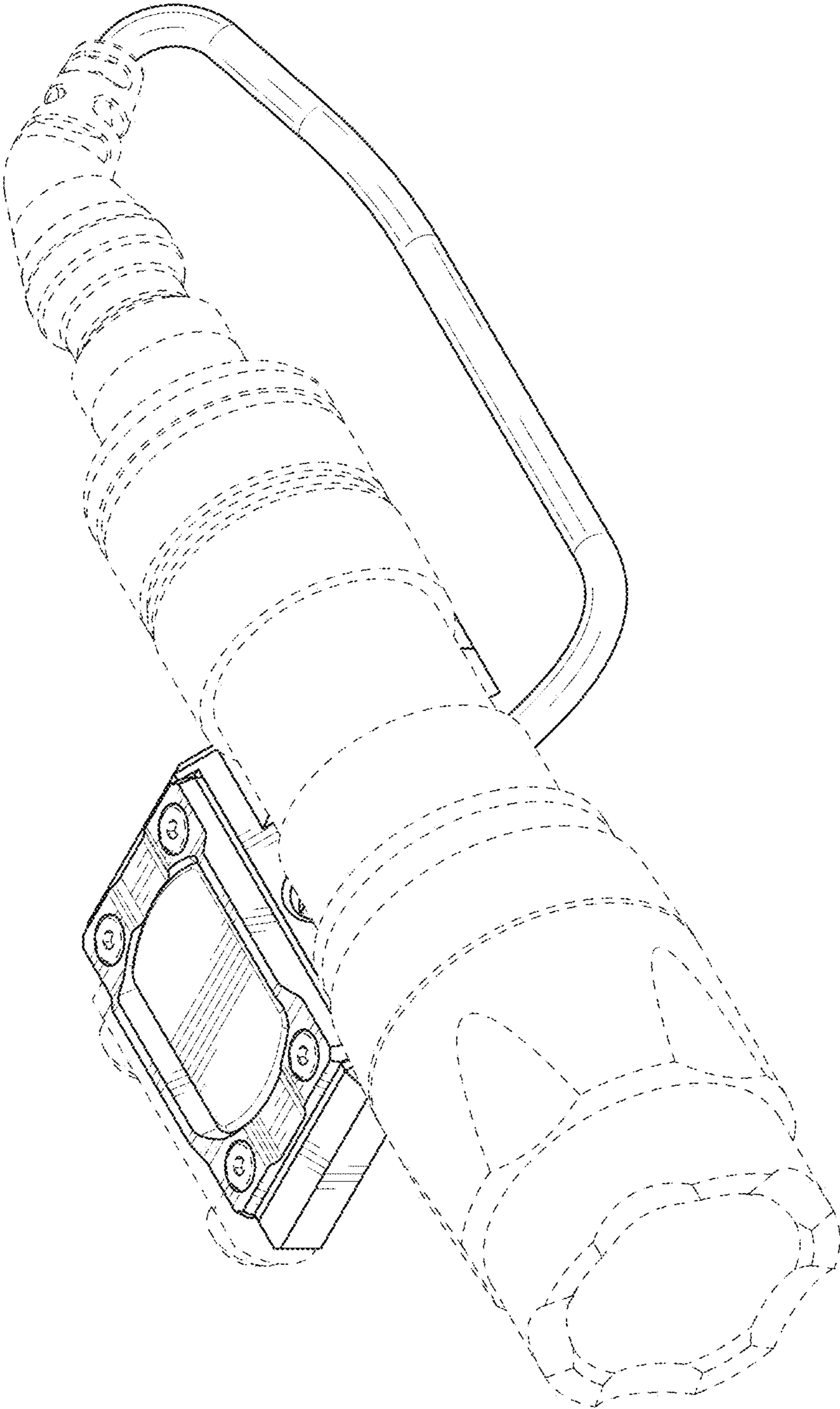


FIG. 1



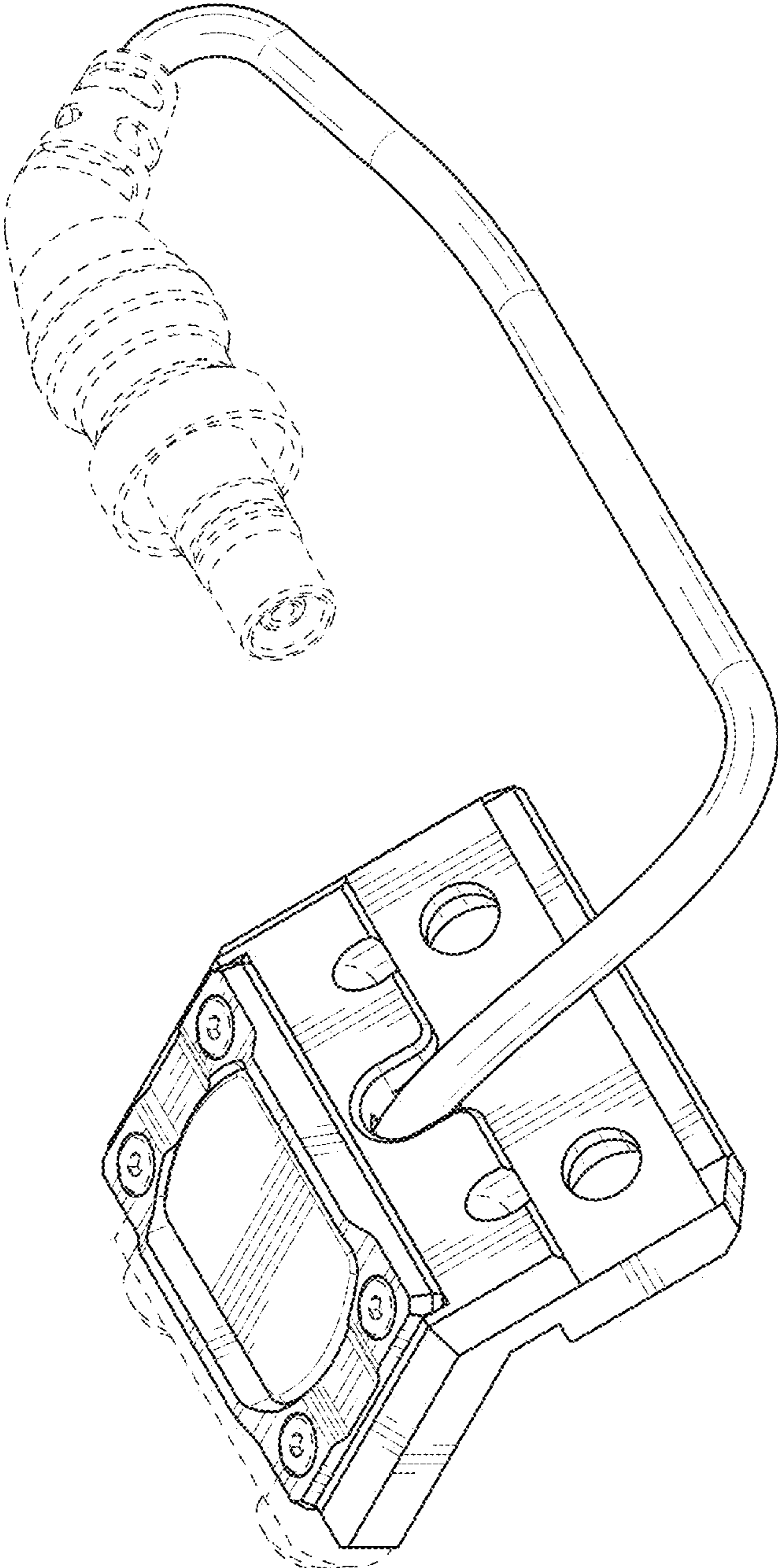


FIG. 2

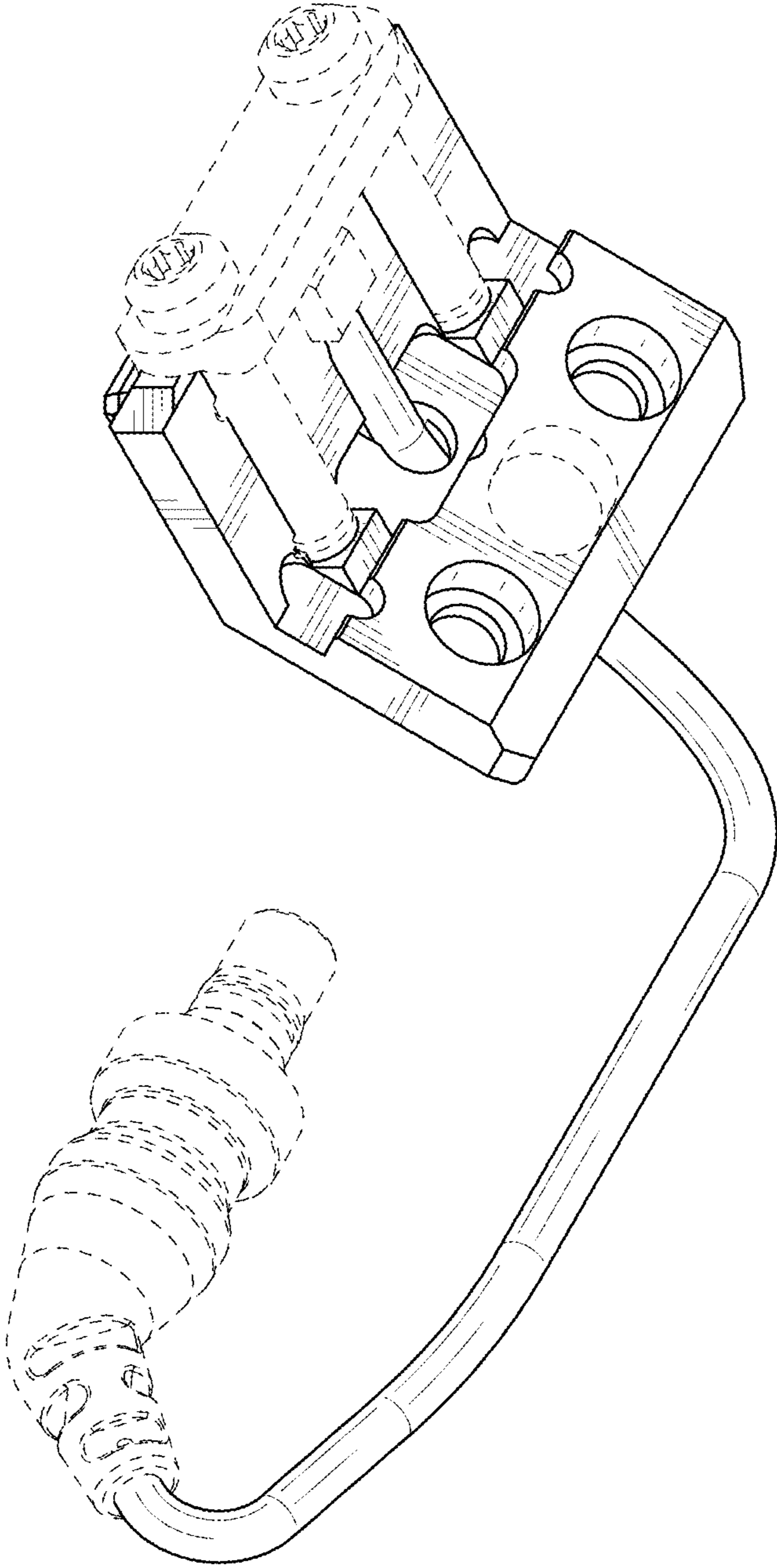


FIG. 3

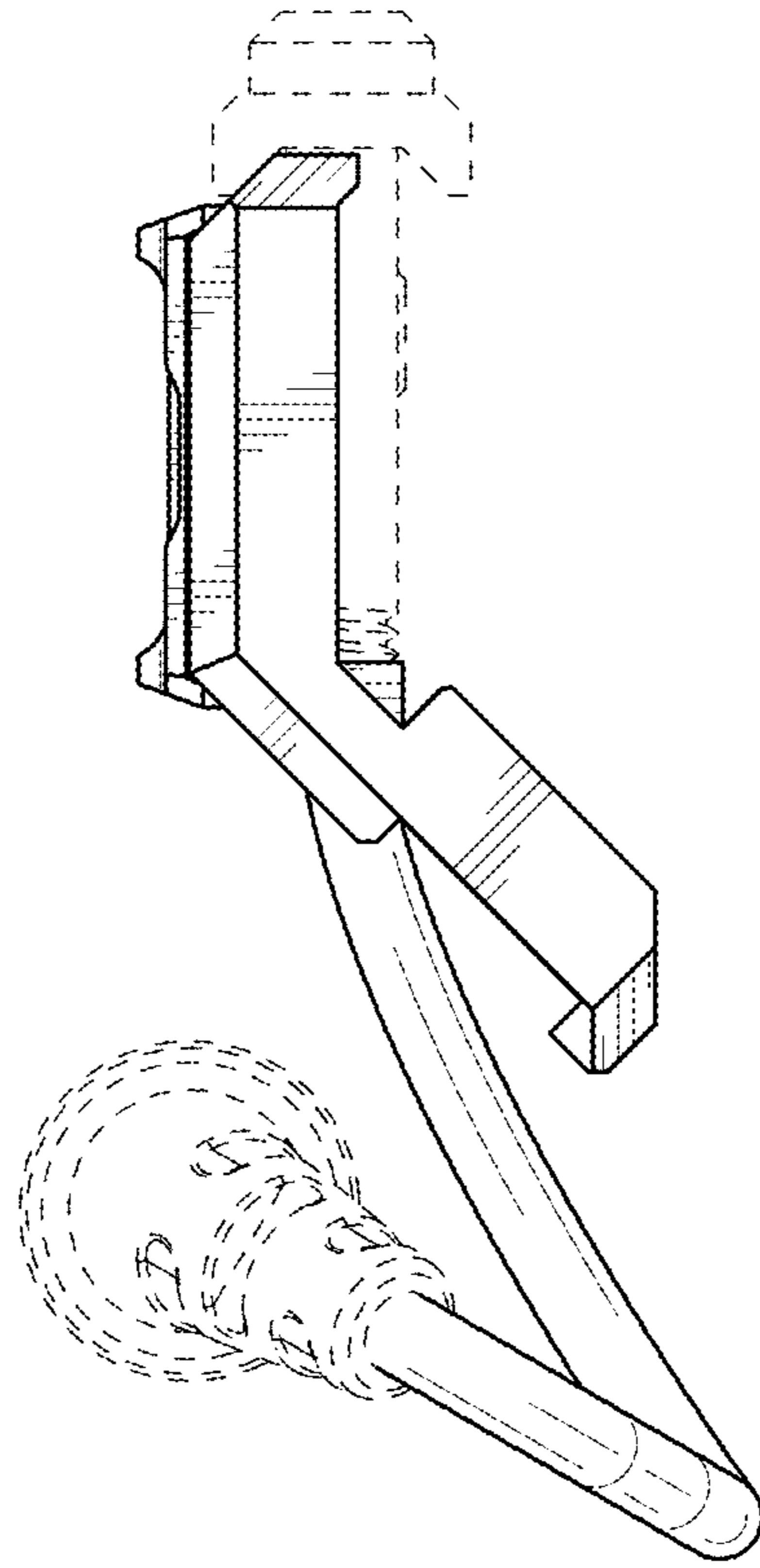


FIG. 6

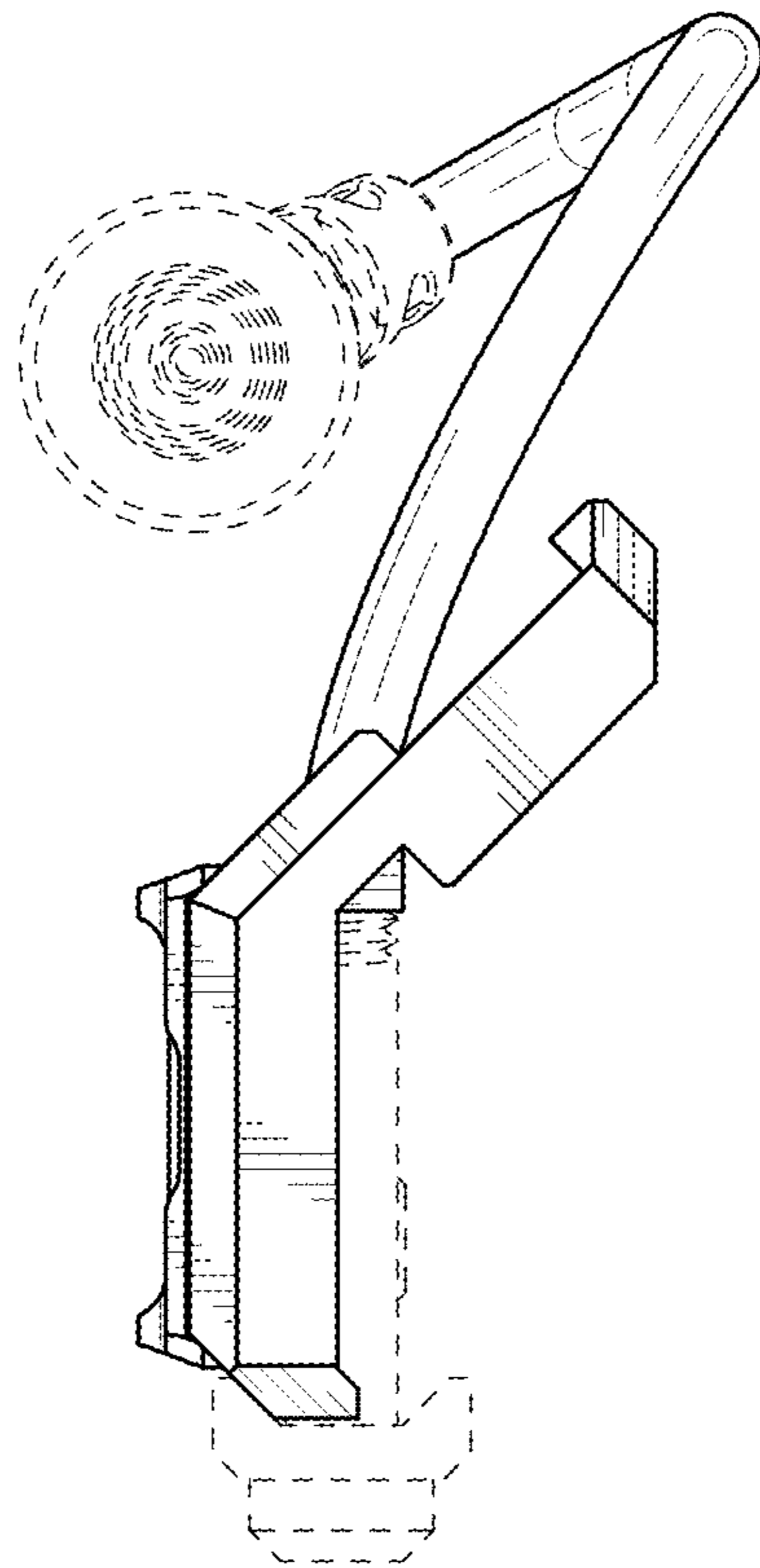


FIG. 4

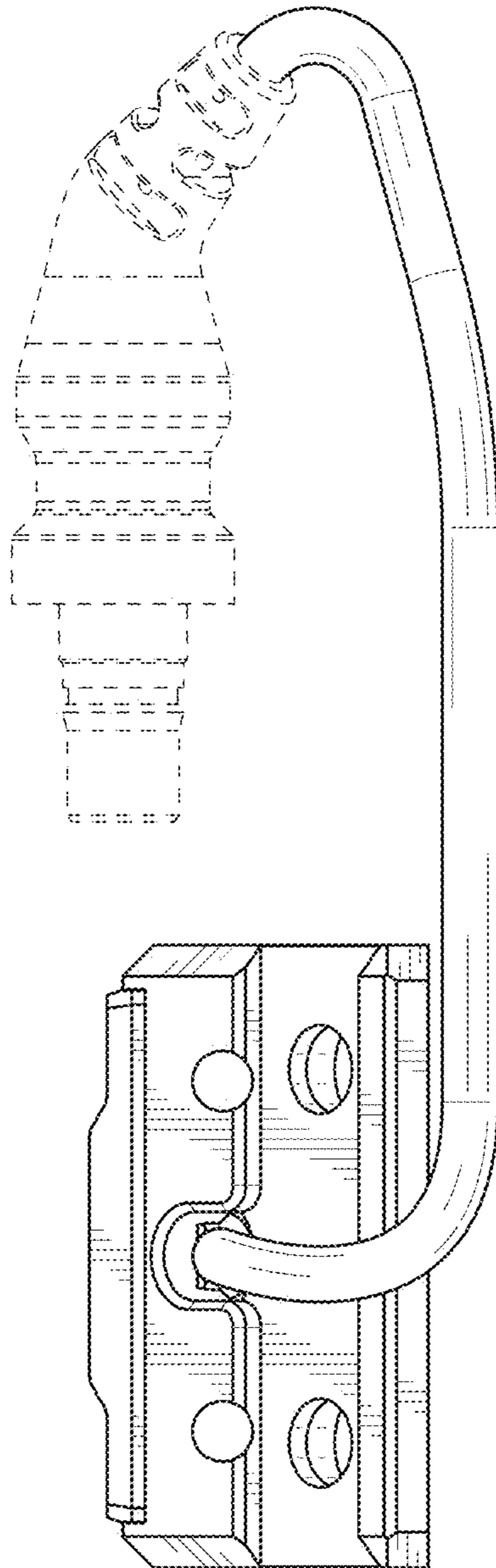


FIG. 5

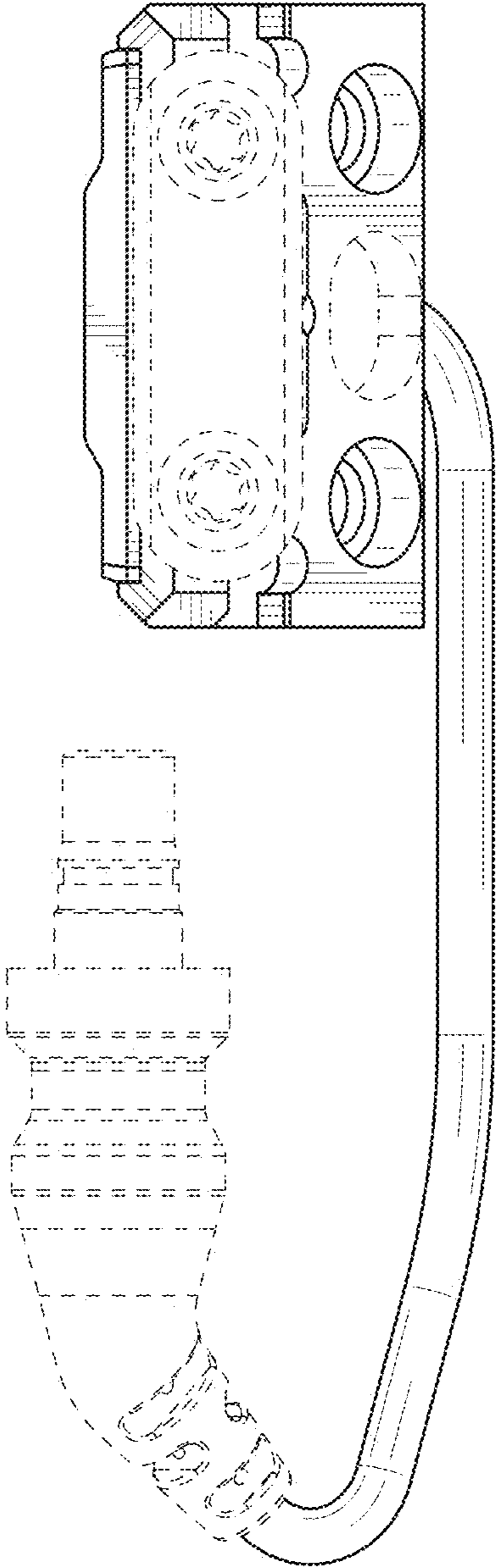


FIG. 7



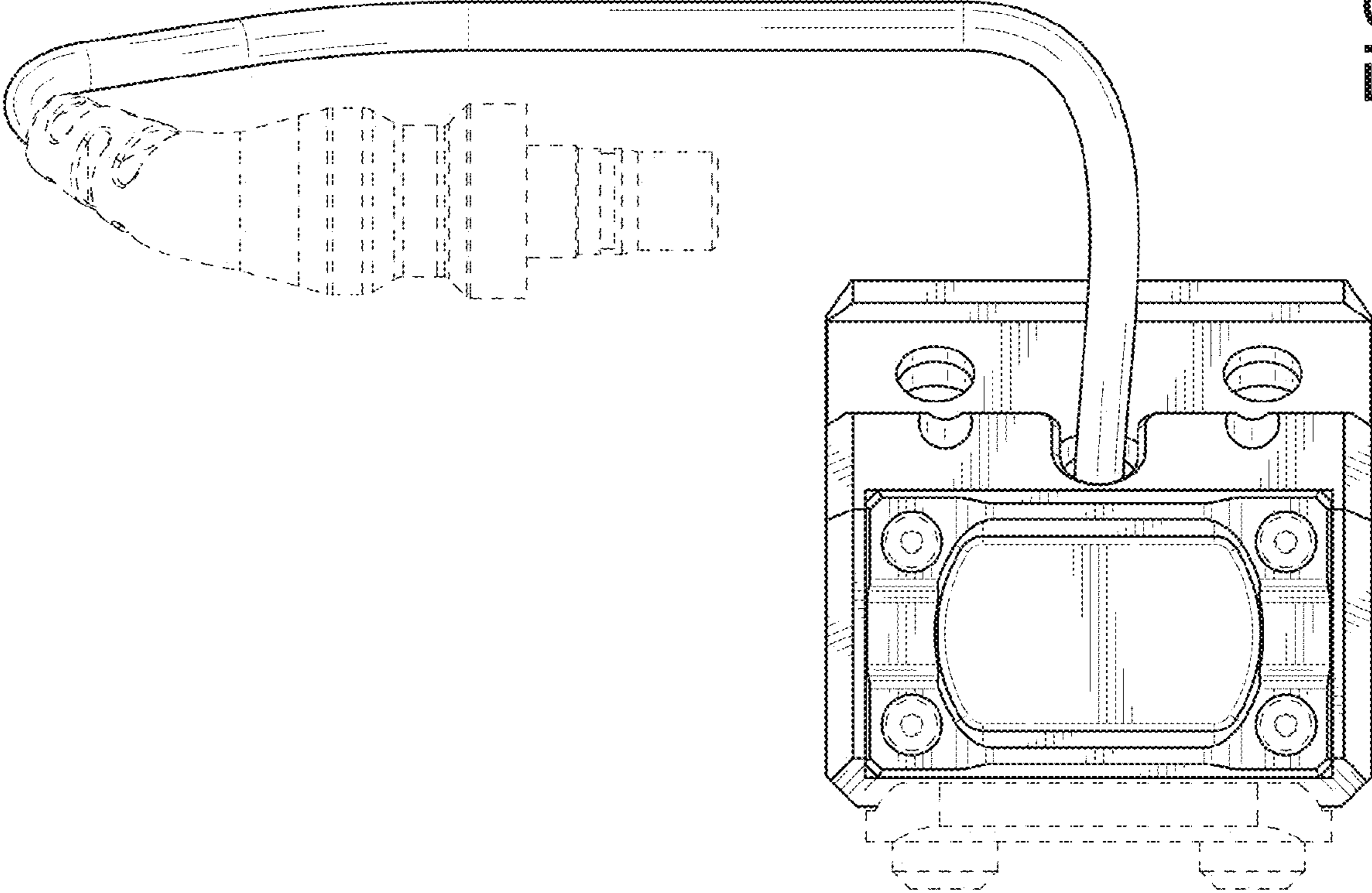


FIG. 8

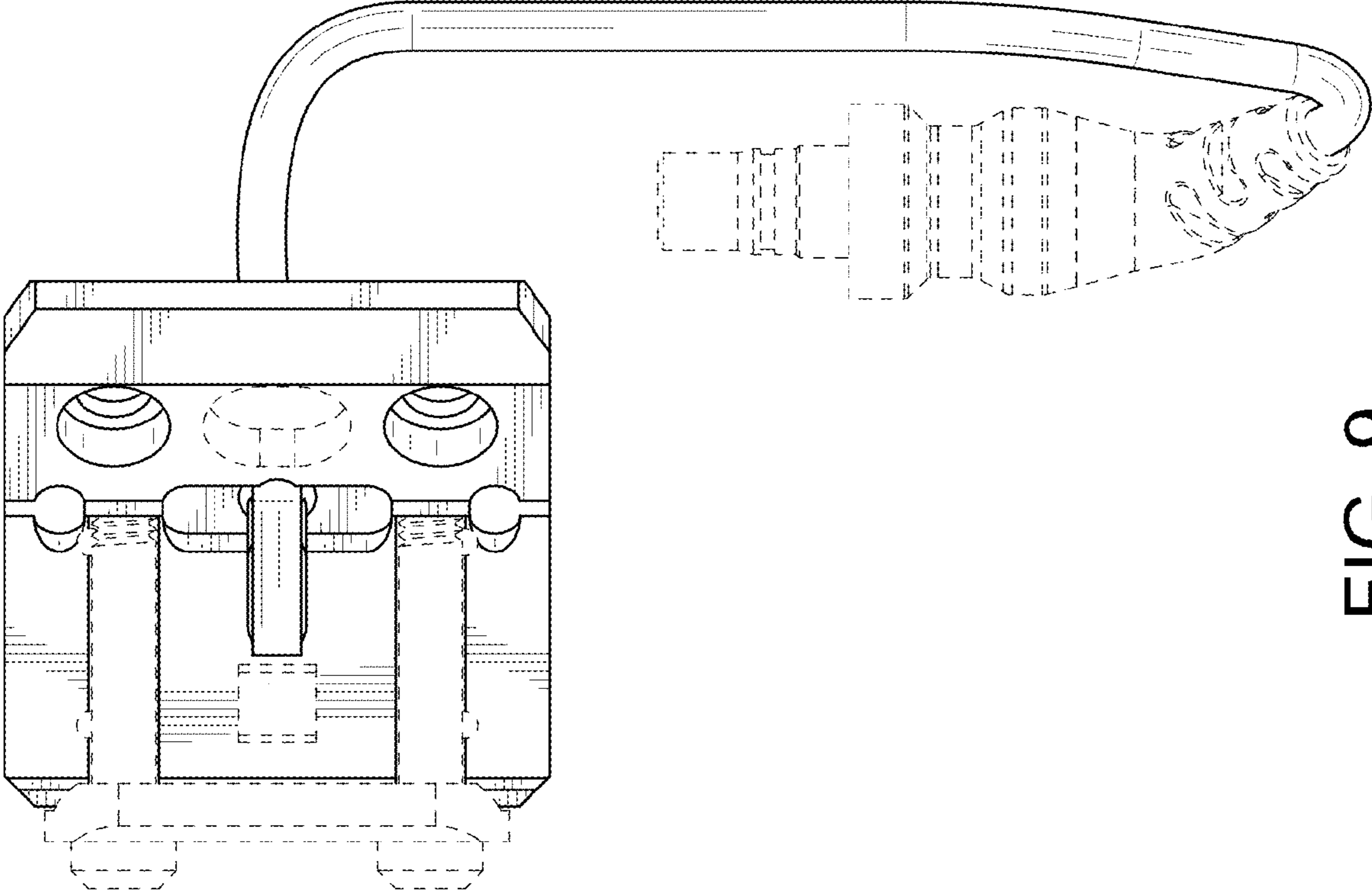


FIG. 9

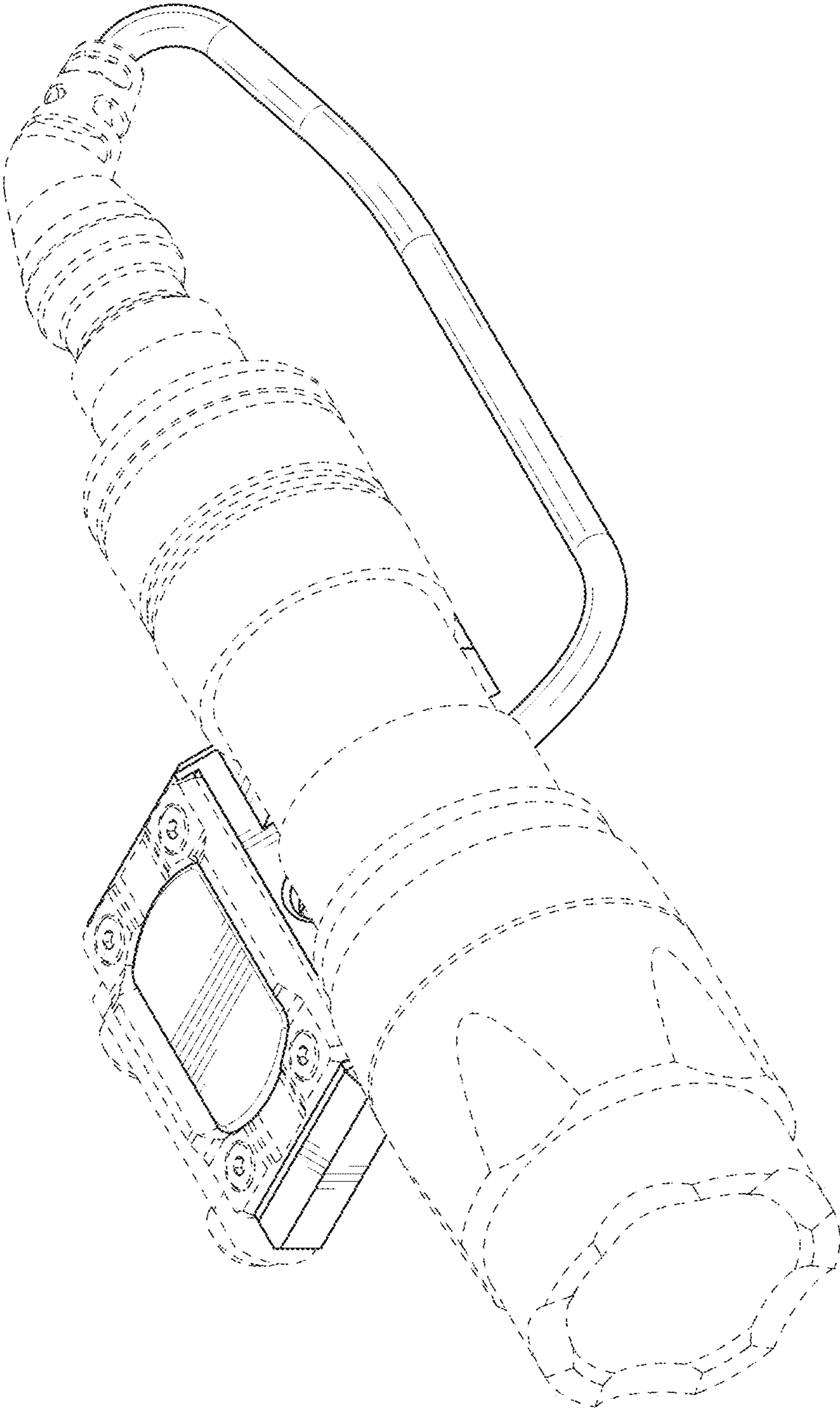


FIG. 10

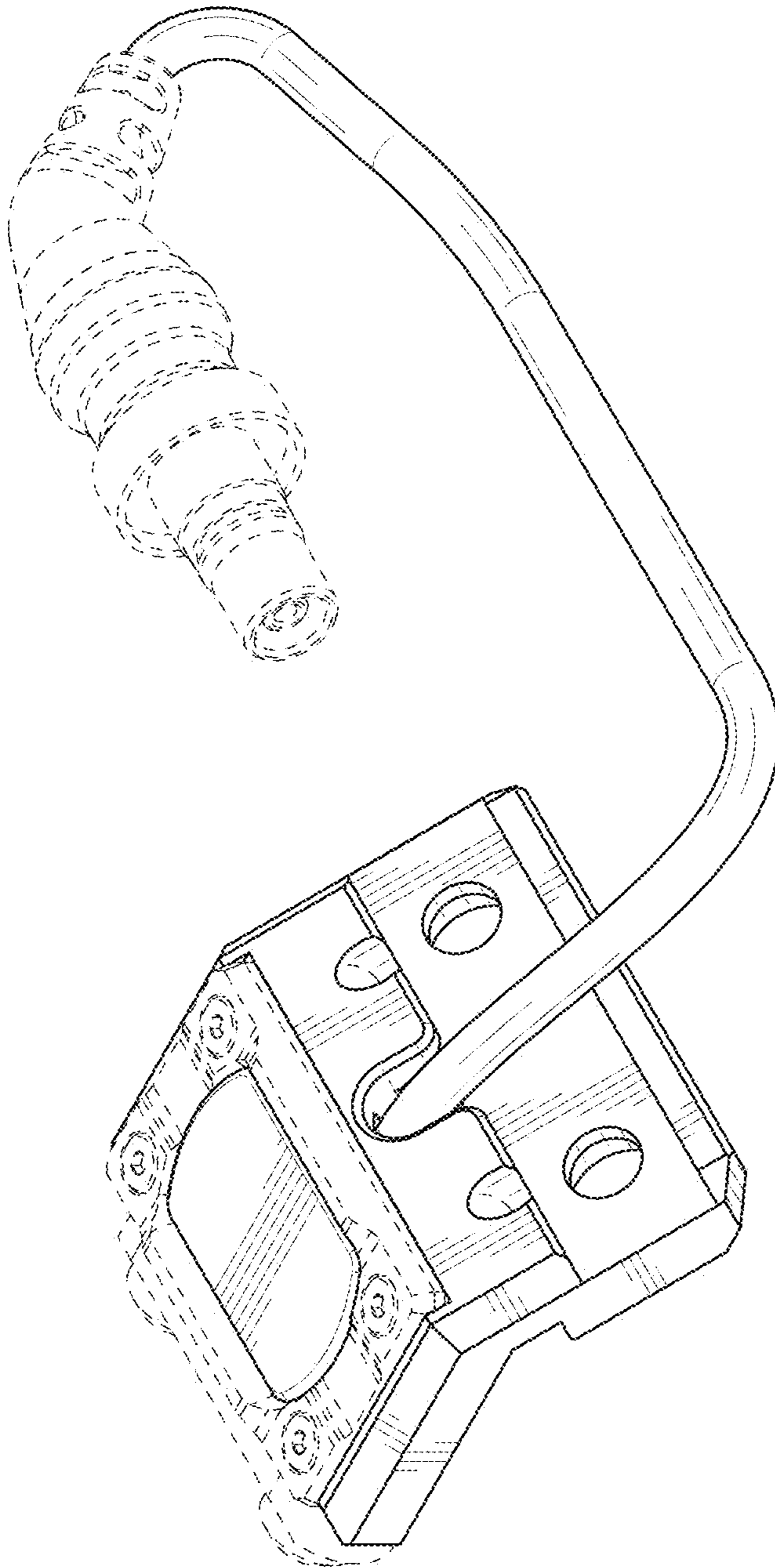


FIG. 11



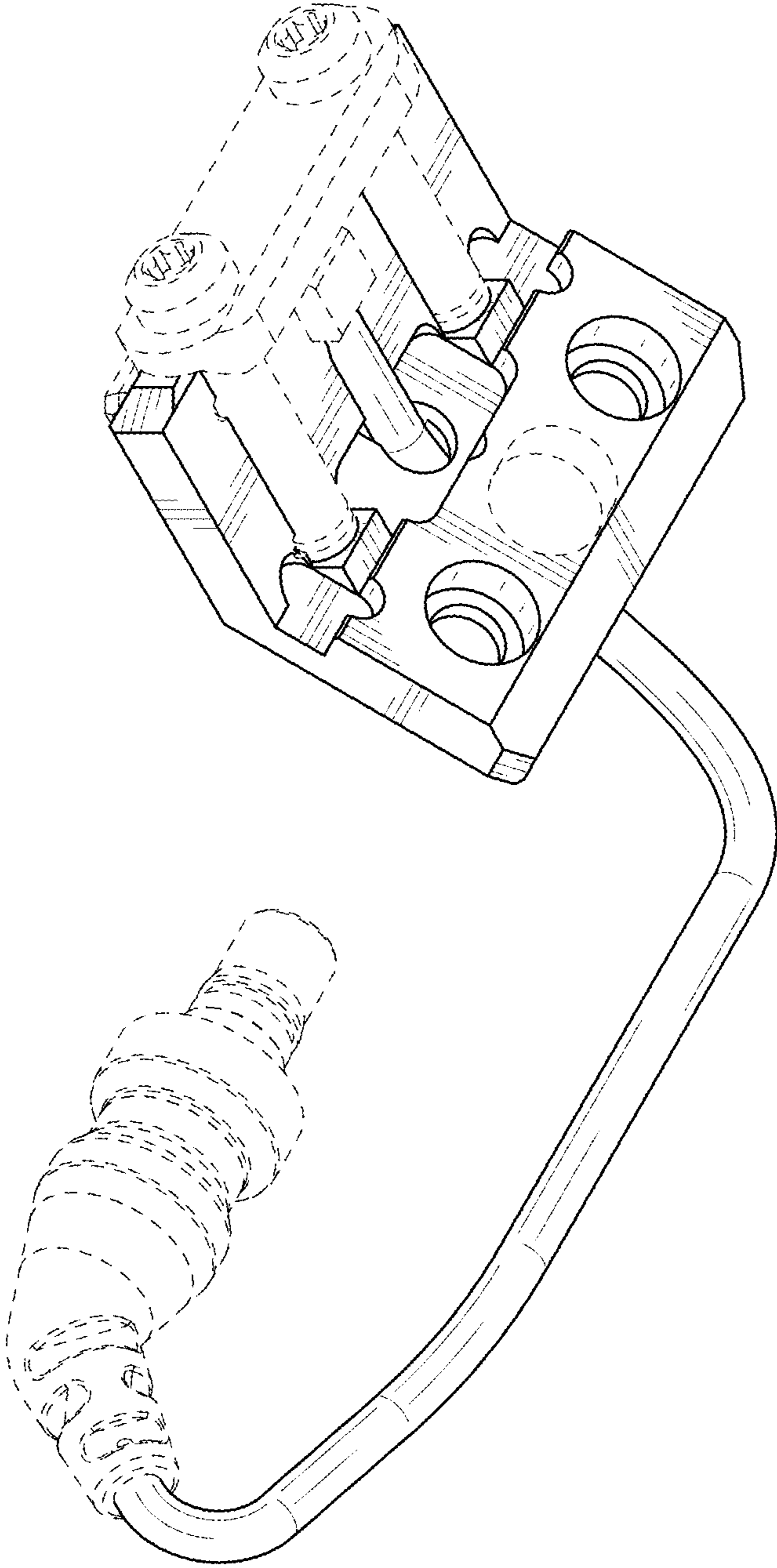


FIG. 12

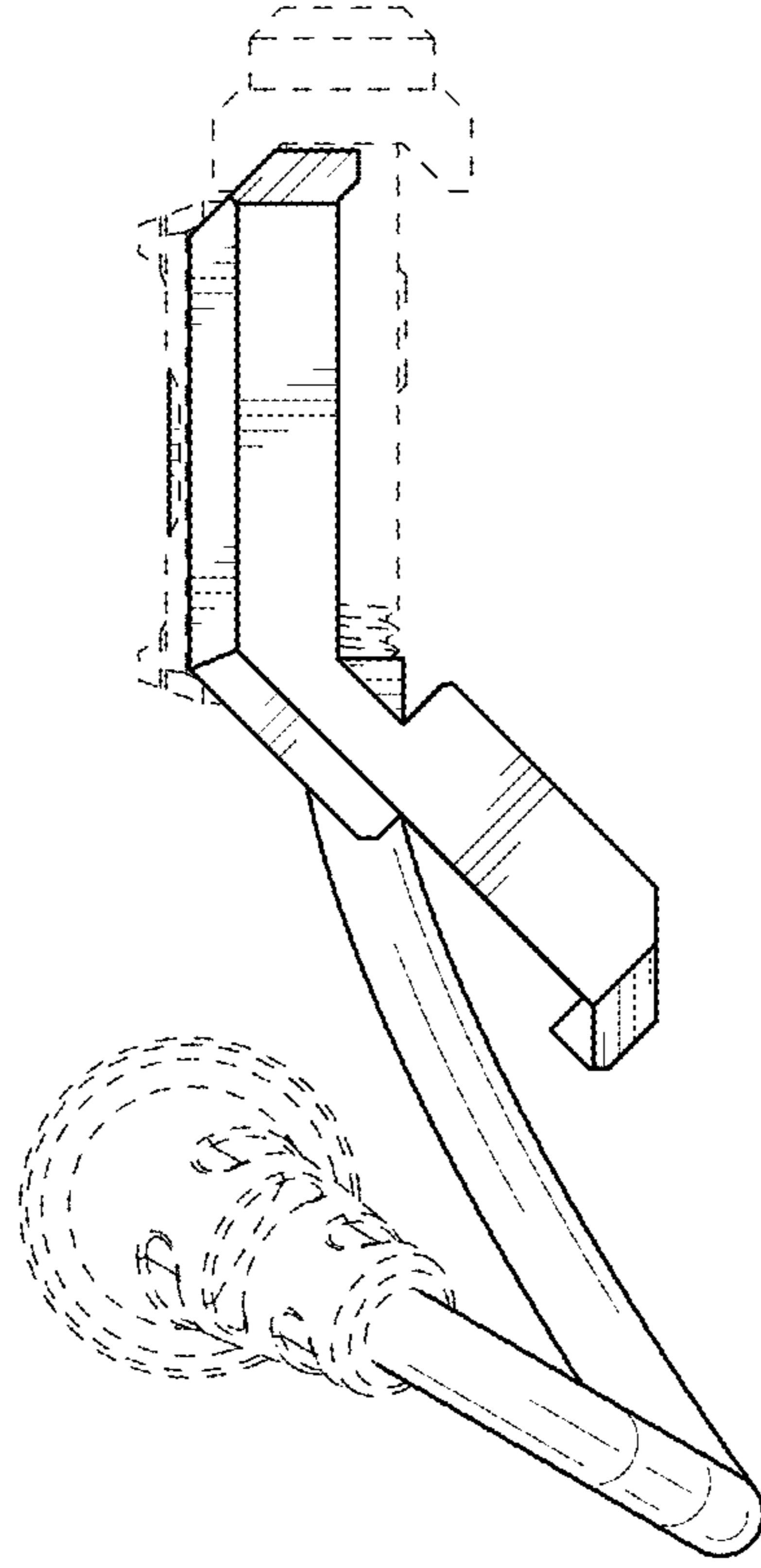


FIG. 13

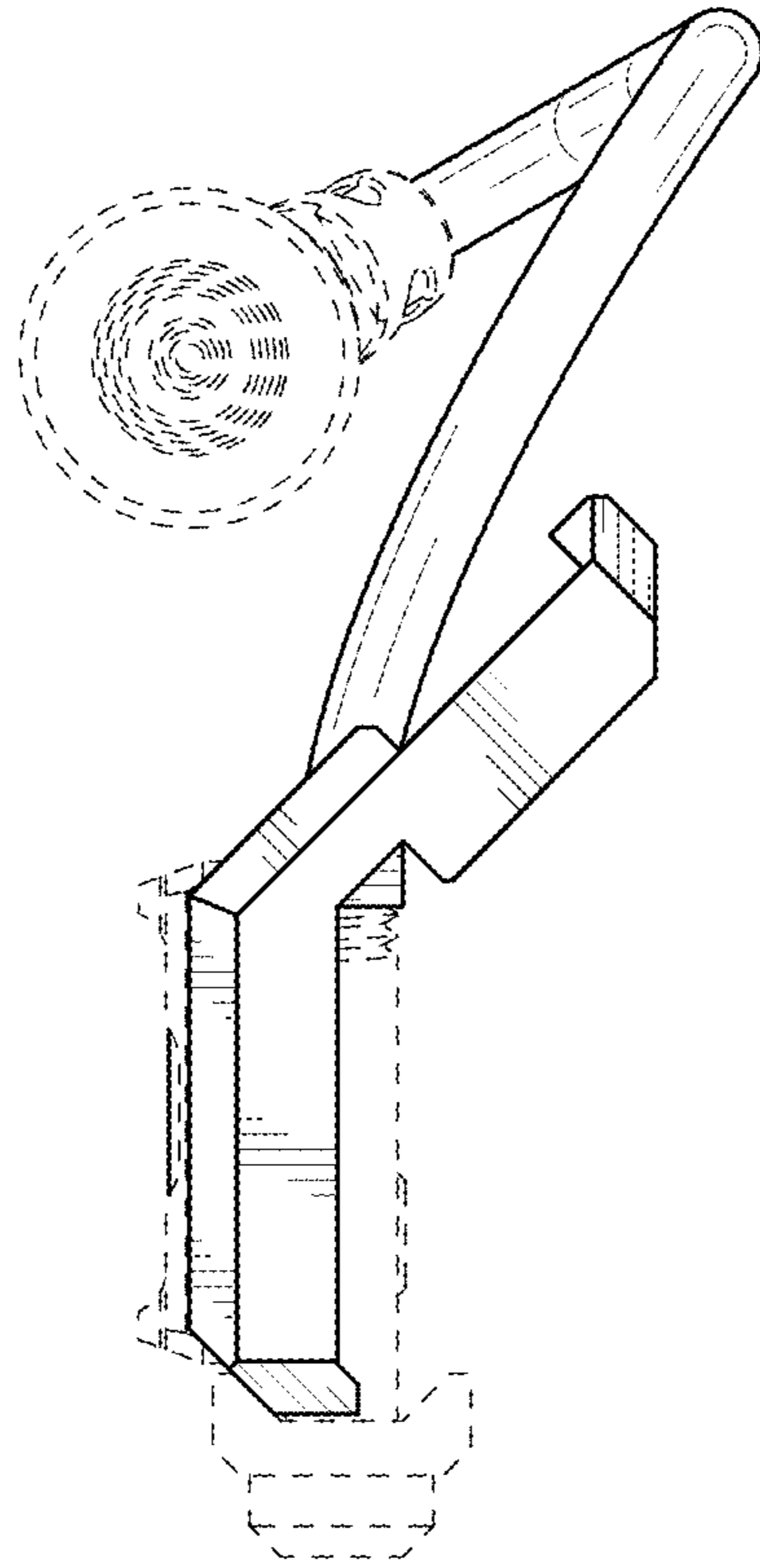


FIG. 15

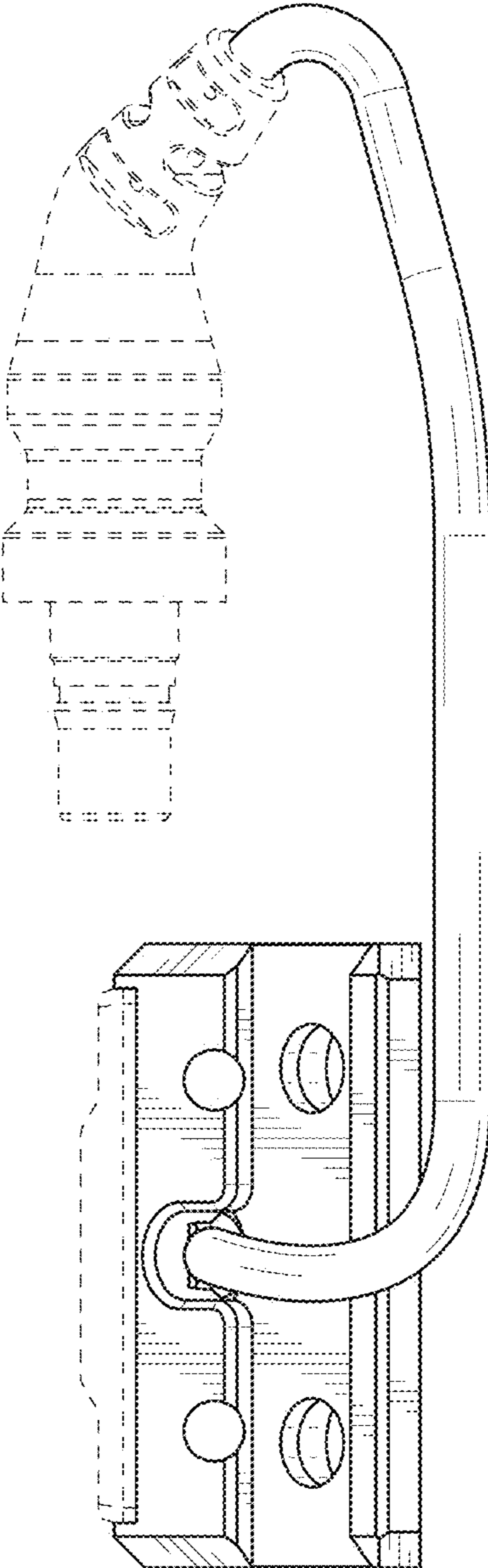


FIG. 14

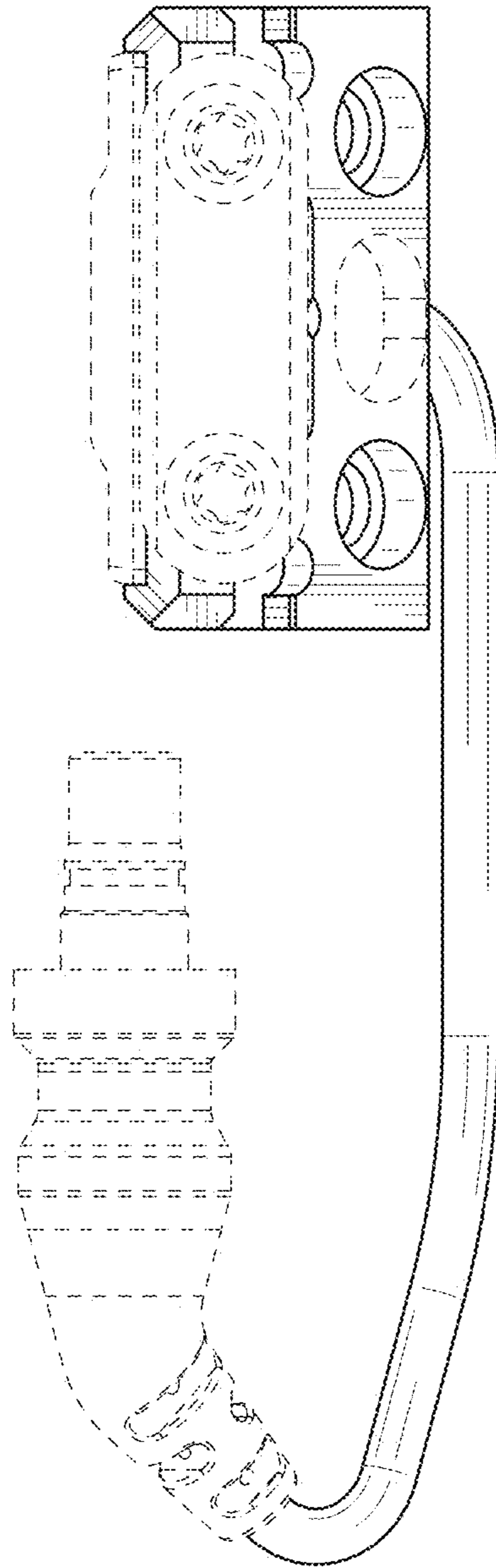


FIG. 16



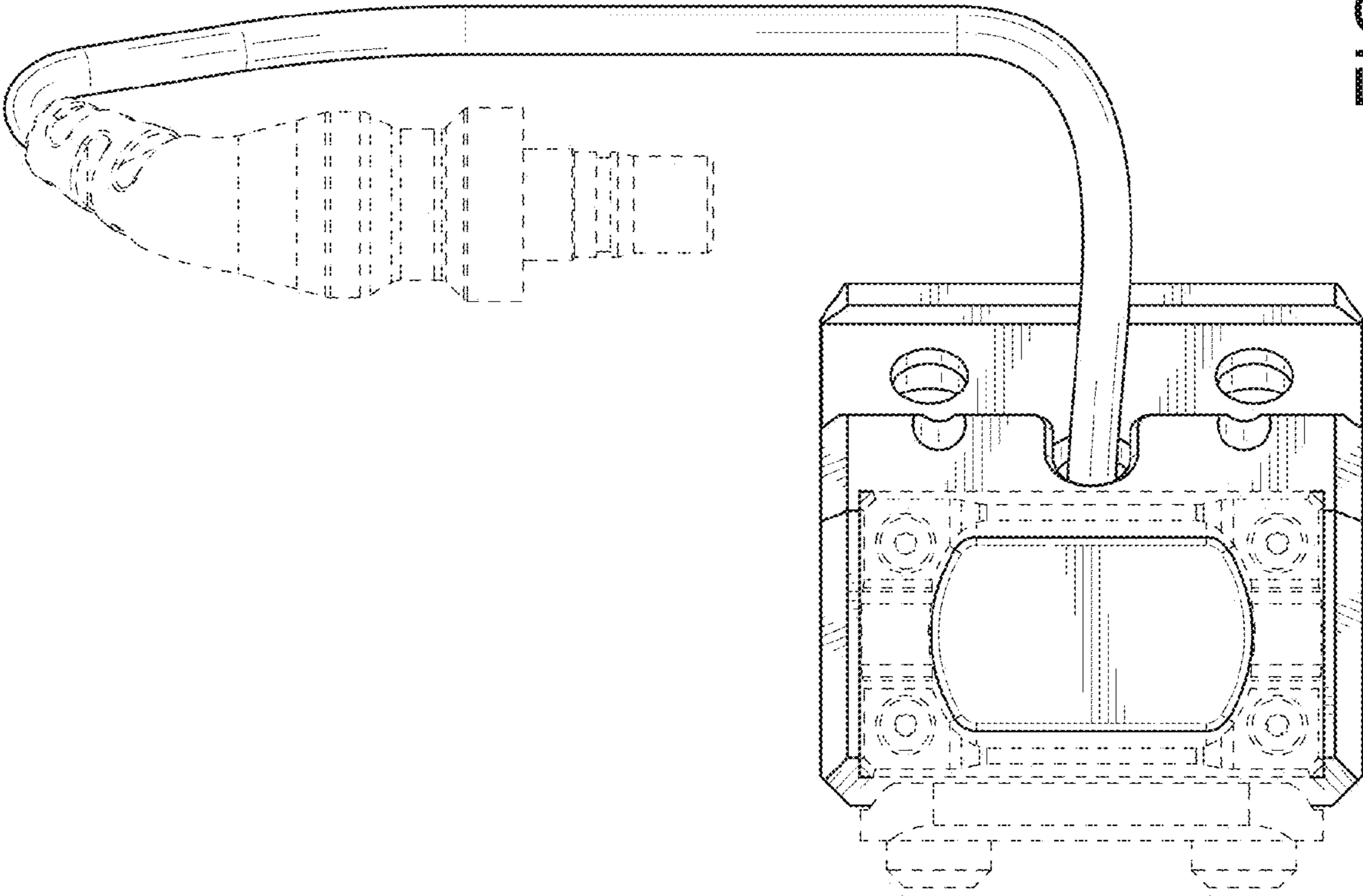


FIG. 17

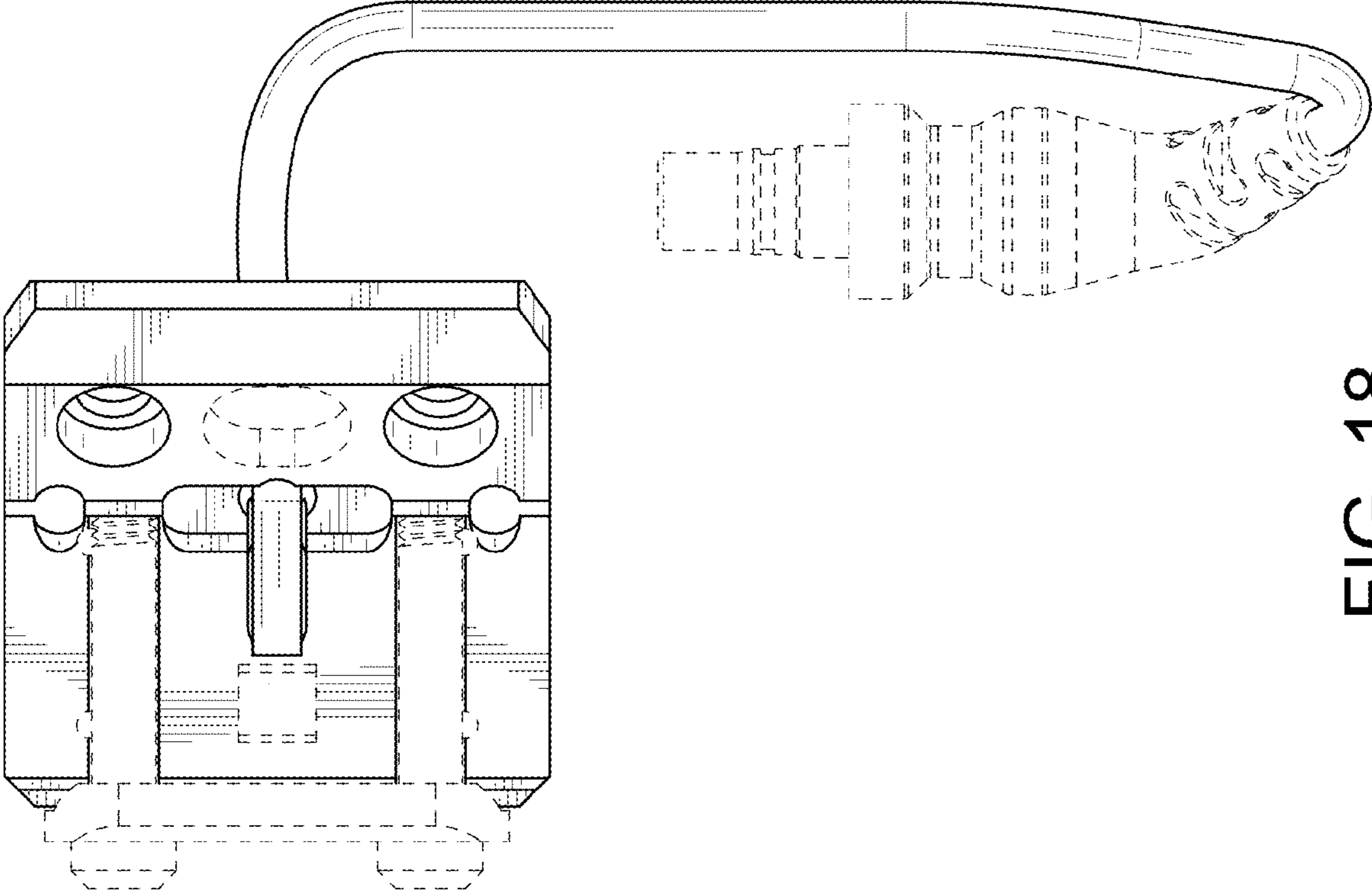


FIG. 18