



US00D947309S

(12) **United States Design Patent**  
**Hsu**

(10) **Patent No.:** **US D947,309 S**  
(45) **Date of Patent:** **\*\* Mar. 29, 2022**

(54) **POOL WITH BASKETBALL GOAL**

(71) Applicant: **Intex Marketing Ltd.**, Tortola (VG)

(72) Inventor: **Kun Chao Hsu**, Fujian (CN)

(73) Assignee: **INTEX MARKETING LTD.**, Tortola (VG)

(\*\*) Term: **15 Years**

(21) Appl. No.: **29/713,195**

(22) Filed: **Nov. 14, 2019**

(30) **Foreign Application Priority Data**

May 15, 2019 (CN) ..... 201930235126.0

(51) **LOC (13) Cl.** ..... **21-01**

(52) **U.S. Cl.**  
USPC ..... **D21/815**

(58) **Field of Classification Search**

USPC ..... D21/803, 804, 807, 808, 809, 810, 815;  
D6/392, 595, 596, 601, 604, 605;  
D30/160; D24/194, 195, 214; D11/158  
CPC .. A63B 21/4005; A47C 15/006; A47C 15/008  
See application file for complete search history.

(56) **References Cited**

**U.S. PATENT DOCUMENTS**

D271,122 S \* 10/1983 Mariol ..... D21/815  
D293,364 S \* 12/1987 Everard ..... D21/815  
D386,238 S \* 11/1997 Peterson ..... D21/815  
D404,457 S \* 1/1999 Peterson ..... D21/815  
D409,707 S \* 5/1999 Peterson ..... D21/815  
D425,165 S \* 5/2000 Klimenko ..... E04H 4/0025  
D21/815  
D434,826 S \* 12/2000 Hsu ..... D21/815  
D478,956 S \* 8/2003 Feuer ..... D21/815  
D554,729 S \* 11/2007 Peterson ..... D21/815

D725,210 S \* 3/2015 Anastasia ..... D21/815  
D732,133 S \* 6/2015 Goldmeier ..... D21/815  
D741,436 S \* 10/2015 Lin ..... D21/815

(Continued)

**OTHER PUBLICATIONS**

Little Tikes Super Slam 'n Dunk, site visited Nov. 13, 2019, earliest reviews dated 2 years before date visited. Available online: <https://www.littletikes.com/item/645655/super-slam-n-dunk/1.html>, 16 pages.

(Continued)

*Primary Examiner* — Michael C Stout

*Assistant Examiner* — Melvin L Davis

(74) *Attorney, Agent, or Firm* — Faegre Drinker Biddle & Reath LLP

(57) **CLAIM**

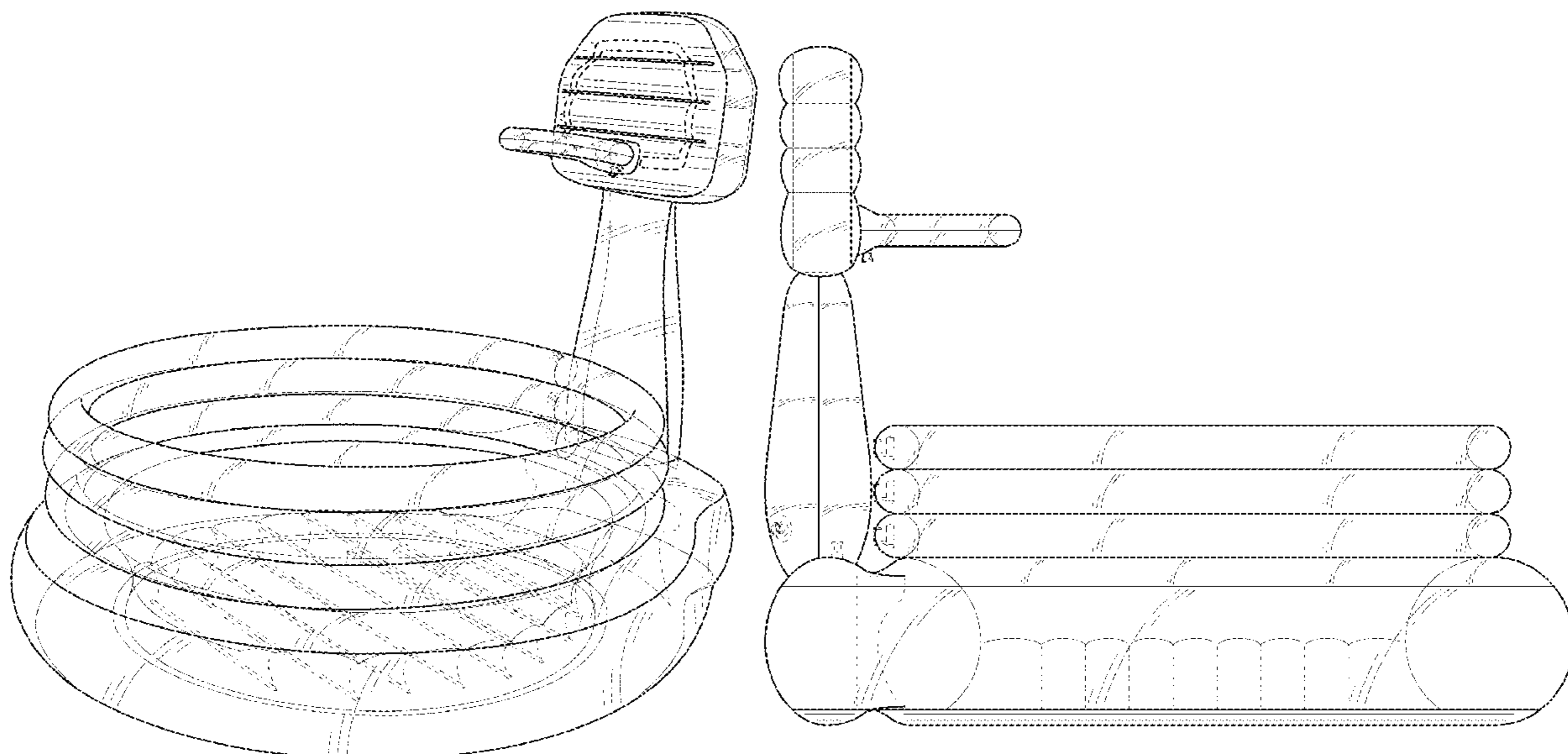
The ornamental design for a pool with basketball goal, as shown and described.

**DESCRIPTION**

FIG. 1 is a front perspective view of a pool with basketball goal showing my new design;  
FIG. 2 is a front elevational view thereof;  
FIG. 3 is a rear elevational view thereof;  
FIG. 4 is a left side elevational view thereof;  
FIG. 5 is a right side elevational view thereof;  
FIG. 6 is a top plan view thereof; and,  
FIG. 7 is a bottom plan view thereof.

The relatively thick solid lines in the drawings are contour lines. The intermediate thickness solid lines in the drawings are opaque surface shading lines. The relatively thin solid lines in the drawings are transparent surface shading lines and depict portions of the pool with basketball goal that are visible through transparent surfaces. The broken lines in the drawings depict portions of the pool with basketball goal that form no part of the claimed design.

**1 Claim, 7 Drawing Sheets**



(56)

**References Cited**

## U.S. PATENT DOCUMENTS

D771,221	S	*	11/2016	Lin	.....	D23/204
D772,421	S	*	11/2016	Lin	.....	D24/205
D773,063	S	*	11/2016	Lin	.....	D24/205
D824,469	S	*	7/2018	Mussa	.....	D21/815
D900,267	S	*	10/2020	Zhang	.....	E04H 4/0025
						D21/815
D903,803	S	*	12/2020	Tao	.....	D21/815
D928,268	S	*	8/2021	Pan	.....	D21/815

## OTHER PUBLICATIONS

Inflatable Pool Basketball Hoop, site visited Nov. 11, 2019, copyright date 2018, publication date unknown. Available online: <https://www.saleinflatables.com/inflatable-pool-basketball-hoop.html>, 1 page.

Little Tikes Slam Dunk Big Ball Pit, site visited Nov. 11, 2019, review dated Sep. 10, 2013. Available online: <https://www.walmart.com/ip/Little-Tikes-Slam-Dunk-Big-Ball-Pit/22472415>, 3 pages.

H2OGO! Basketball Inflatable Play Pool, site visited Nov. 11, 2019, review dated Sep. 6, 2014. Available online: [https://www.amazon.com/H2OGO-Basketball-Inflatable-Play-Pool/dp/B00FILJX1S/ref=sr\\_1\\_4?keywords=bestway+basketball&qid=1569702327&sr=8-4](https://www.amazon.com/H2OGO-Basketball-Inflatable-Play-Pool/dp/B00FILJX1S/ref=sr_1_4?keywords=bestway+basketball&qid=1569702327&sr=8-4), 2 pages.

\* cited by examiner

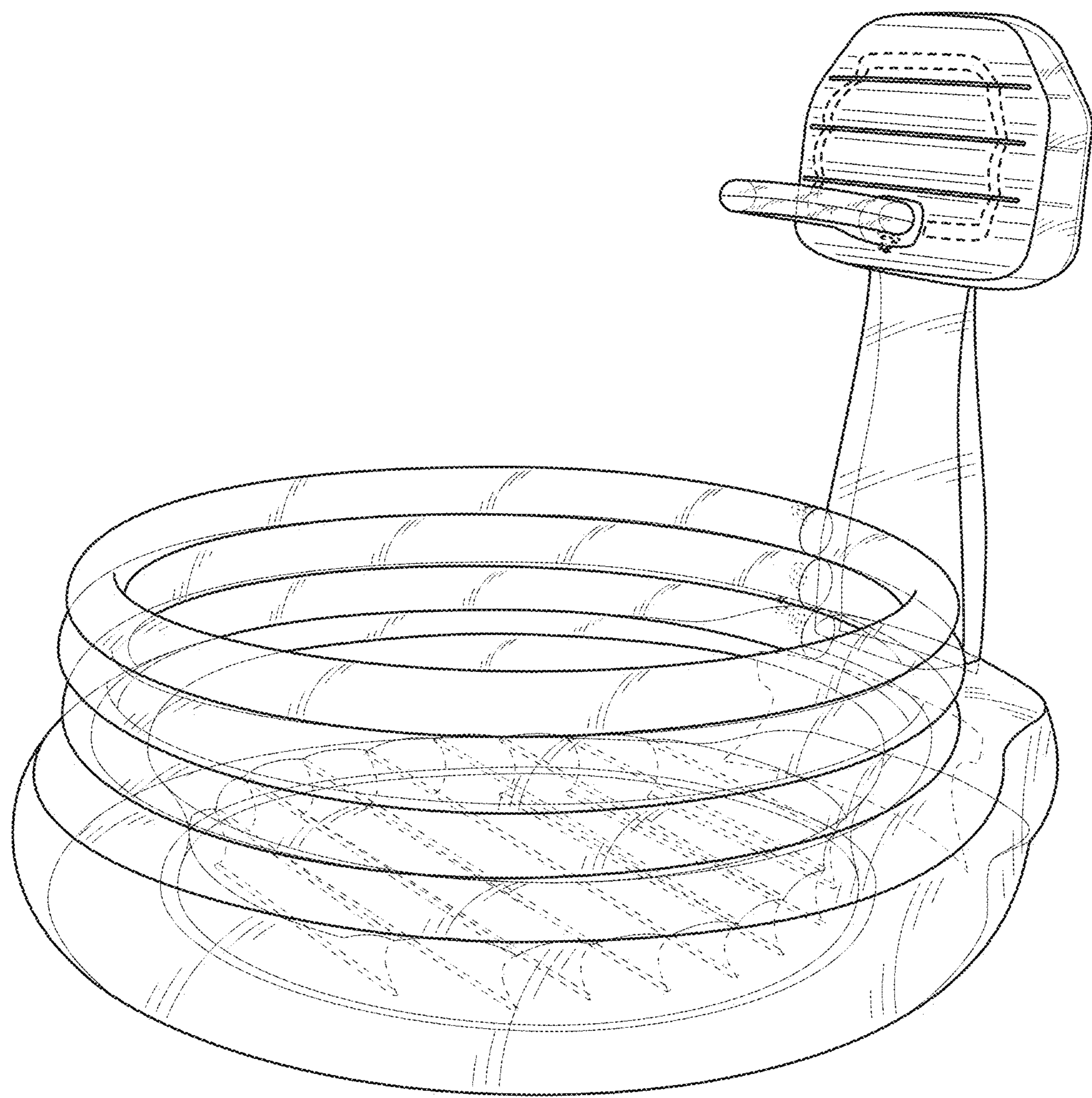


FIG. 1



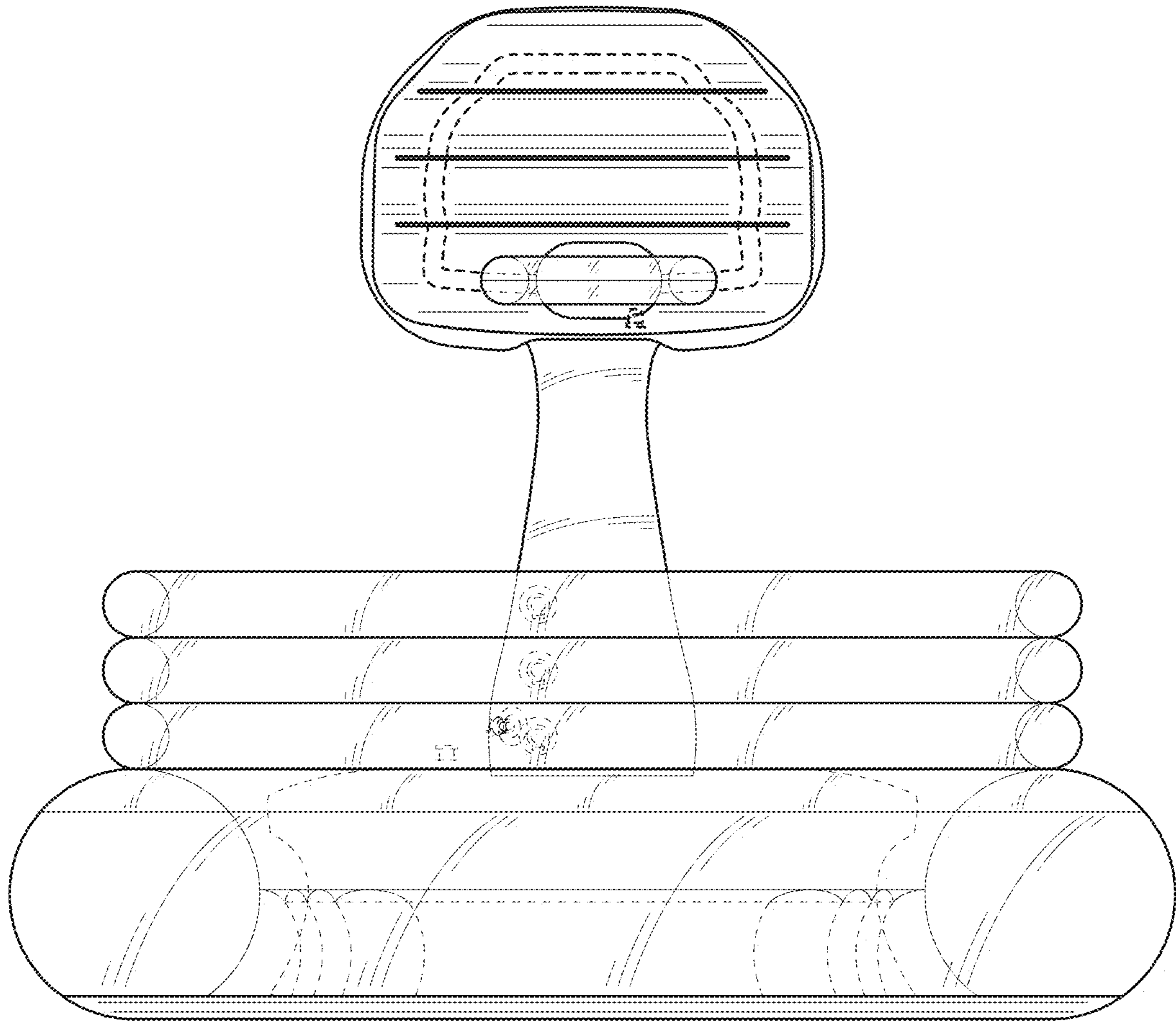


FIG. 2

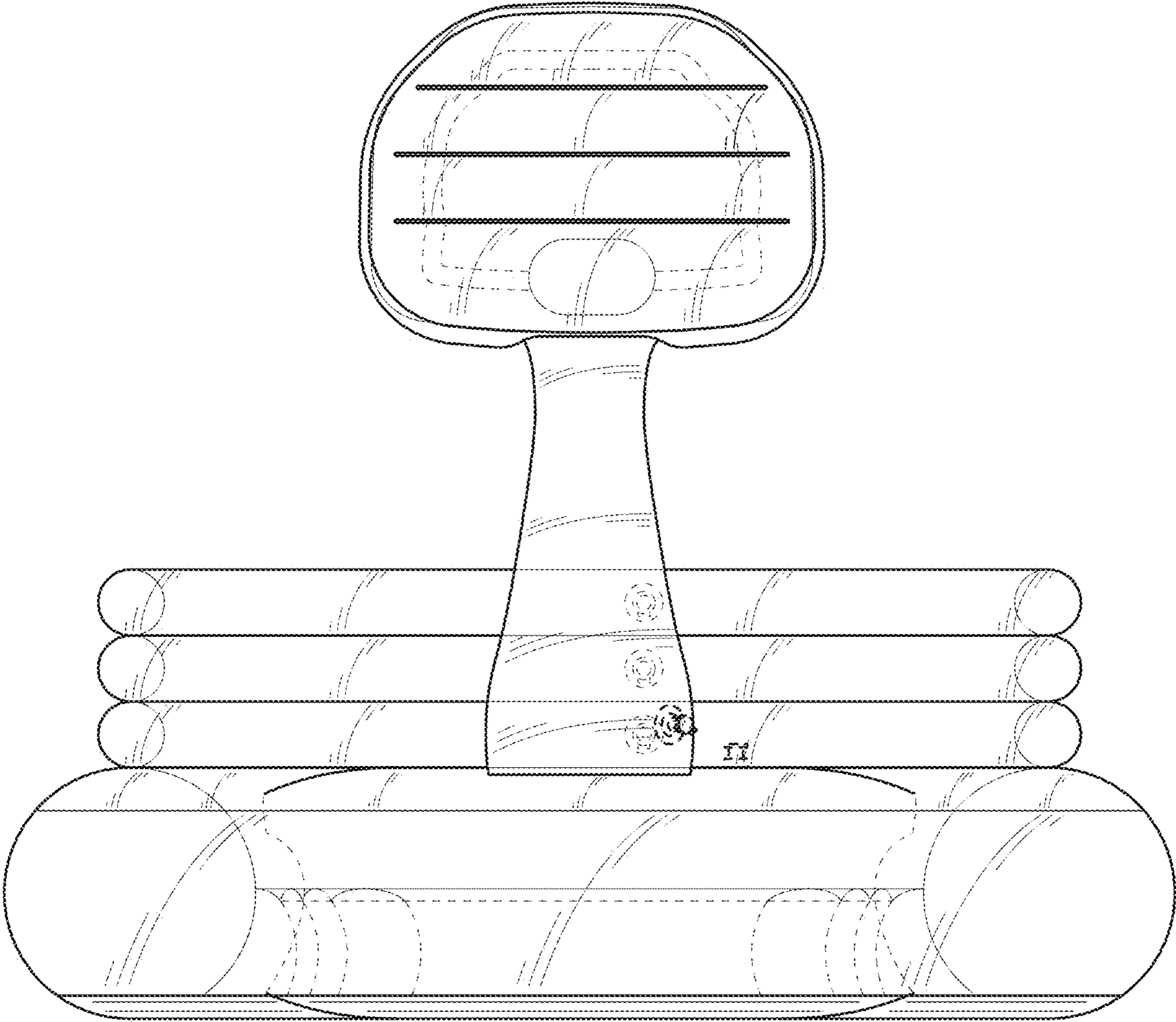


FIG. 3

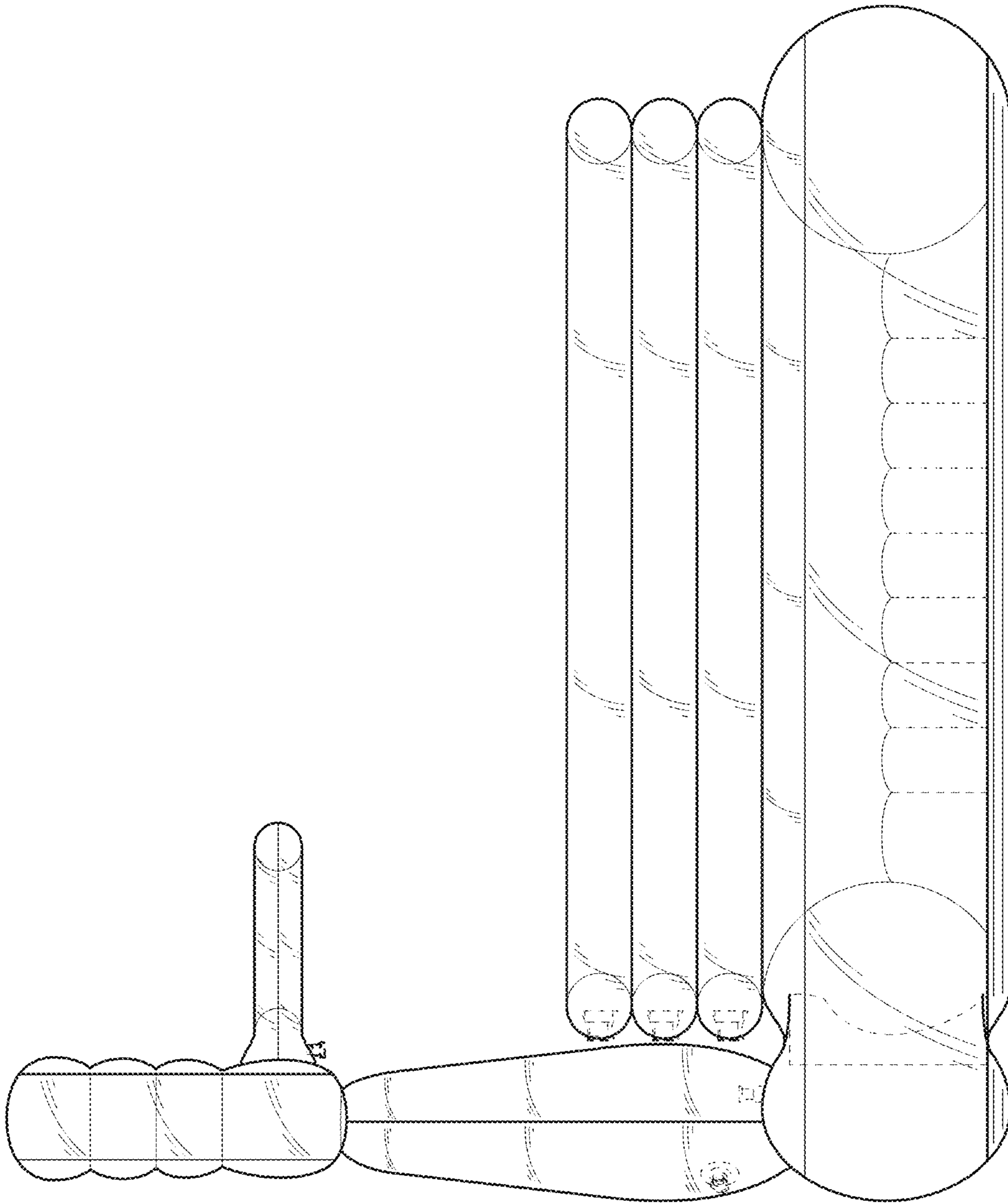


FIG. 4

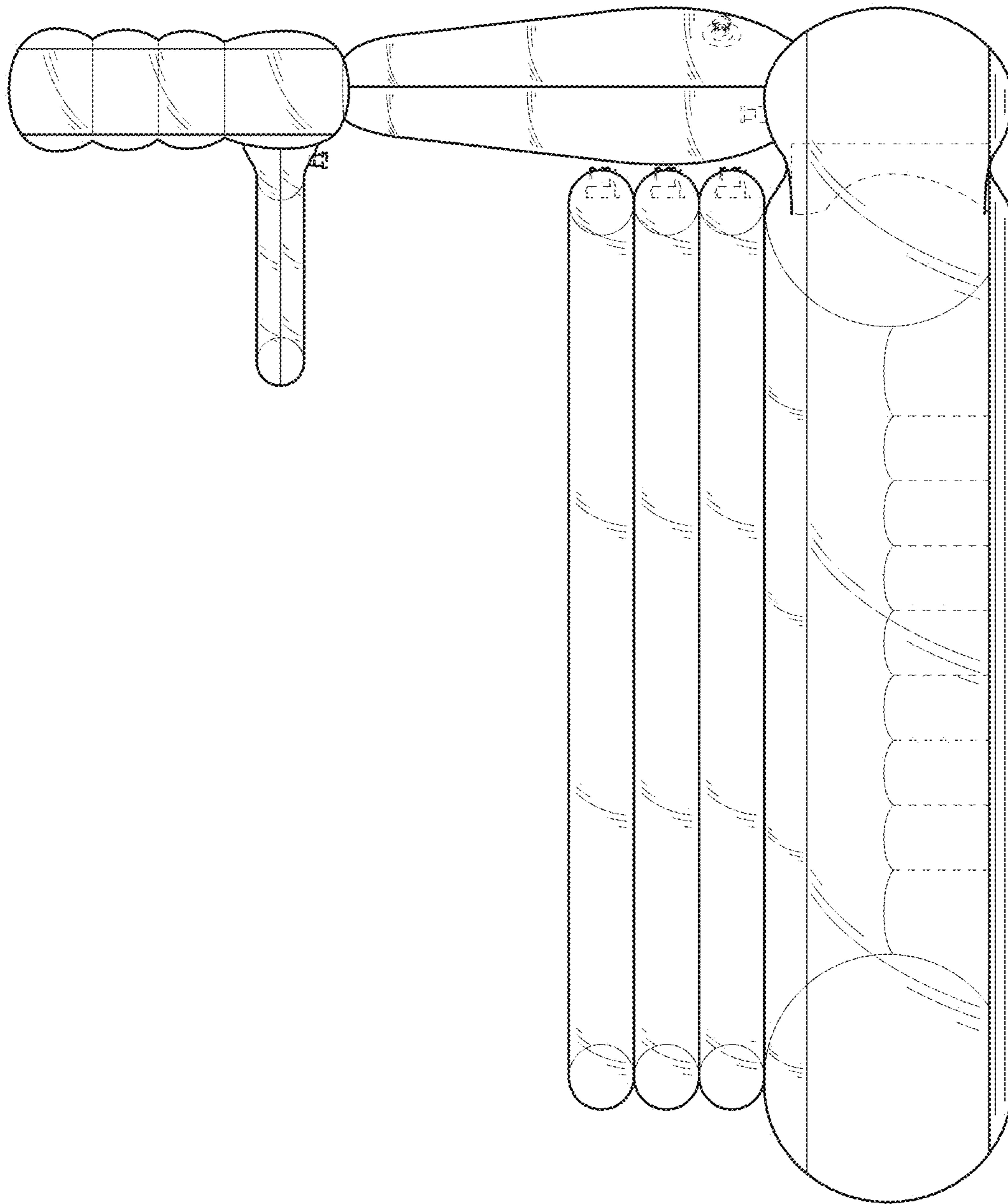


FIG. 5

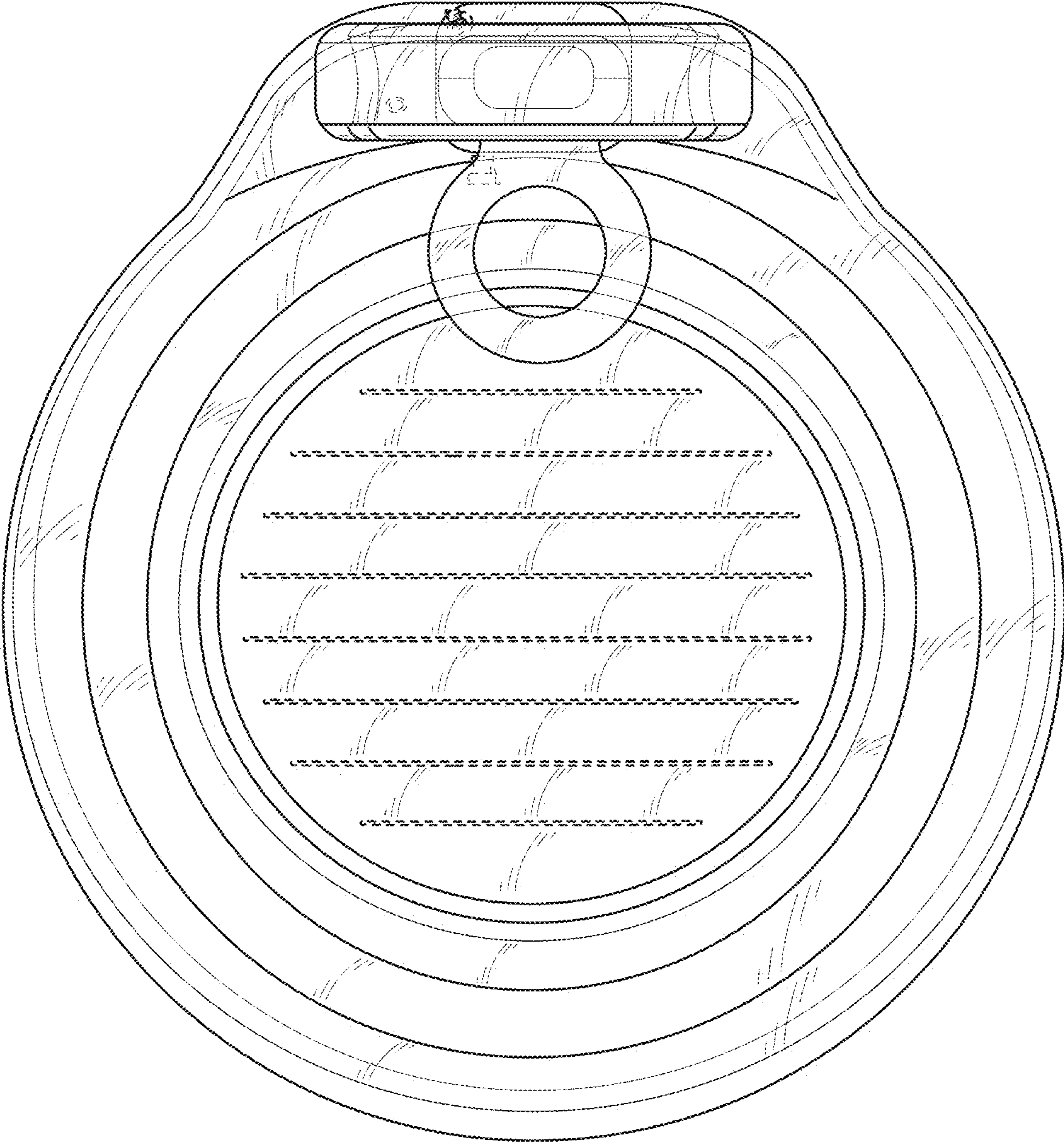


FIG. 6



