



US00D947305S

(12) **United States Design Patent** (10) **Patent No.:** **US D947,305 S**
Leposky et al. (45) **Date of Patent:** **** Mar. 29, 2022**

(54) BALL MARKER	5,437,446 A *	8/1995	Youngkin	A63B 69/3676 473/409
(71) Applicant: Callaway Golf Company , Carlsbad, CA (US)	D405,858 S *	2/1999	Wolff	D21/386
(72) Inventors: Mark Leposky , Carlsbad, CA (US); Kurt A. Roller , Carlsbad, CA (US); Gerardo Sagaon , Escobedo (MX); Norman Smith , Oceanside, CA (US)	D445,160 S *	7/2001	Hueber	D21/794
(73) Assignee: Callaway Golf Company , Carlsbad, CA (US)	D533,460 S *	12/2006	Terrasi	D9/600
(**) Term: 15 Years	D583,893 S *	12/2008	Ruff	D21/794
(21) Appl. No.: 29/749,393	D616,953 S *	6/2010	Shinki	D21/794
(22) Filed: Sep. 4, 2020	D622,799 S *	8/2010	Cameron	A63B 59/50 D21/794
	8,016,698 B2 *	9/2011	Cameron	A63B 57/50 473/406
	D661,761 S *	6/2012	Cameron	D21/794
	D669,551 S *	10/2012	Perez	D21/794
	D704,291 S *	5/2014	Snyder	D21/794
	D721,152 S *	1/2015	Kokoska	D21/794
	D826,355 S *	8/2018	Kenny	D21/793
	D859,556 S *	9/2019	Kumpis	D21/794
	D872,817 S *	1/2020	Peterson	D21/794
	D875,866 S *	2/2020	McIlvain	D21/793
	D890,873 S *	7/2020	Kenny	D21/793

(Continued)

Related U.S. Application Data

(62) Division of application No. 29/685,209, filed on Mar. 27, 2019, now Pat. No. Des. 917,645.

(51) **LOC (13) Cl.** **21-02**

(52) **U.S. Cl.**
USPC **D21/794**

(58) **Field of Classification Search**
USPC D21/789, 793, 794
CPC A63B 57/353; A63B 57/207; A63B 57/00;
A63B 57/30; A63B 57/35; A63B 57/50
See application file for complete search history.

References Cited

U.S. PATENT DOCUMENTS

D169,125 S * 3/1953 Cheresch D21/467

3,850,434 A * 11/1974 Ockenfels A63F 3/00063
273/274

4,521,018 A * 6/1985 Cotchonis A63B 57/353
473/406

5,356,133 A * 10/1994 Bellagamba A63B 57/353
473/406

Primary Examiner — Mitchell I. Siegel

(74) *Attorney, Agent, or Firm* — Rebecca Hanovice;
Michael Catania; Sonia Lari

(57) **CLAIM**

The ornamental design for a ball marker, as shown and described.

DESCRIPTION

FIG. 1 is a top perspective view of the ball marker claimed herein;

FIG. 2 is a rear elevational view thereof;

FIG. 3 is a front elevational view thereof;

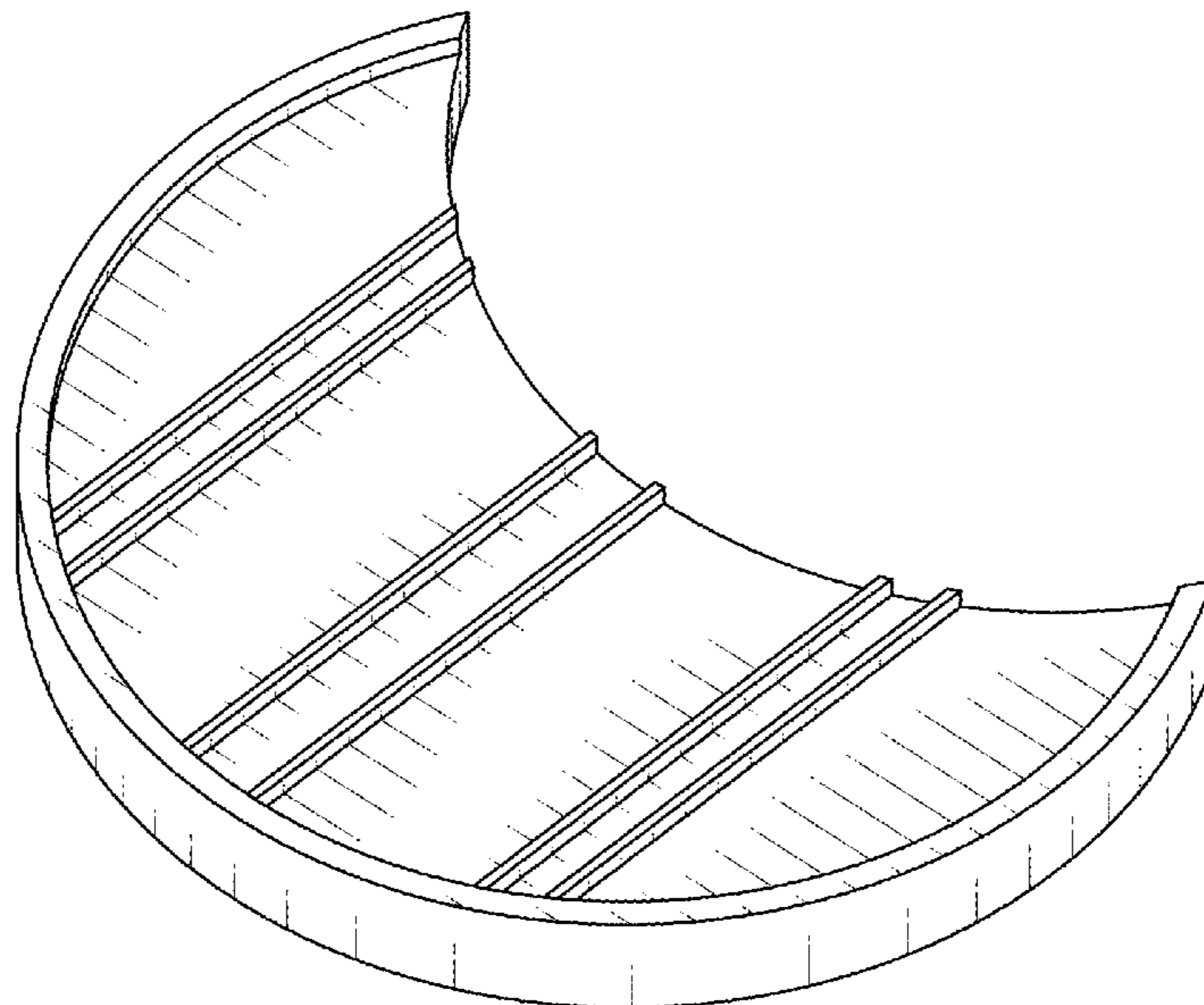
FIG. 4 is a side elevational view thereof;

FIG. 5 is a top plan view thereof; and,

FIG. 6 is a bottom plan view thereof.

The broken lines in the figures show portions of the ball marker that form no part of the claimed design.

1 Claim, 3 Drawing Sheets



(56)

References Cited

U.S. PATENT DOCUMENTS

D895,754 S * 9/2020 Leposky D21/794
D917,645 S * 4/2021 Leposky D21/794

* cited by examiner

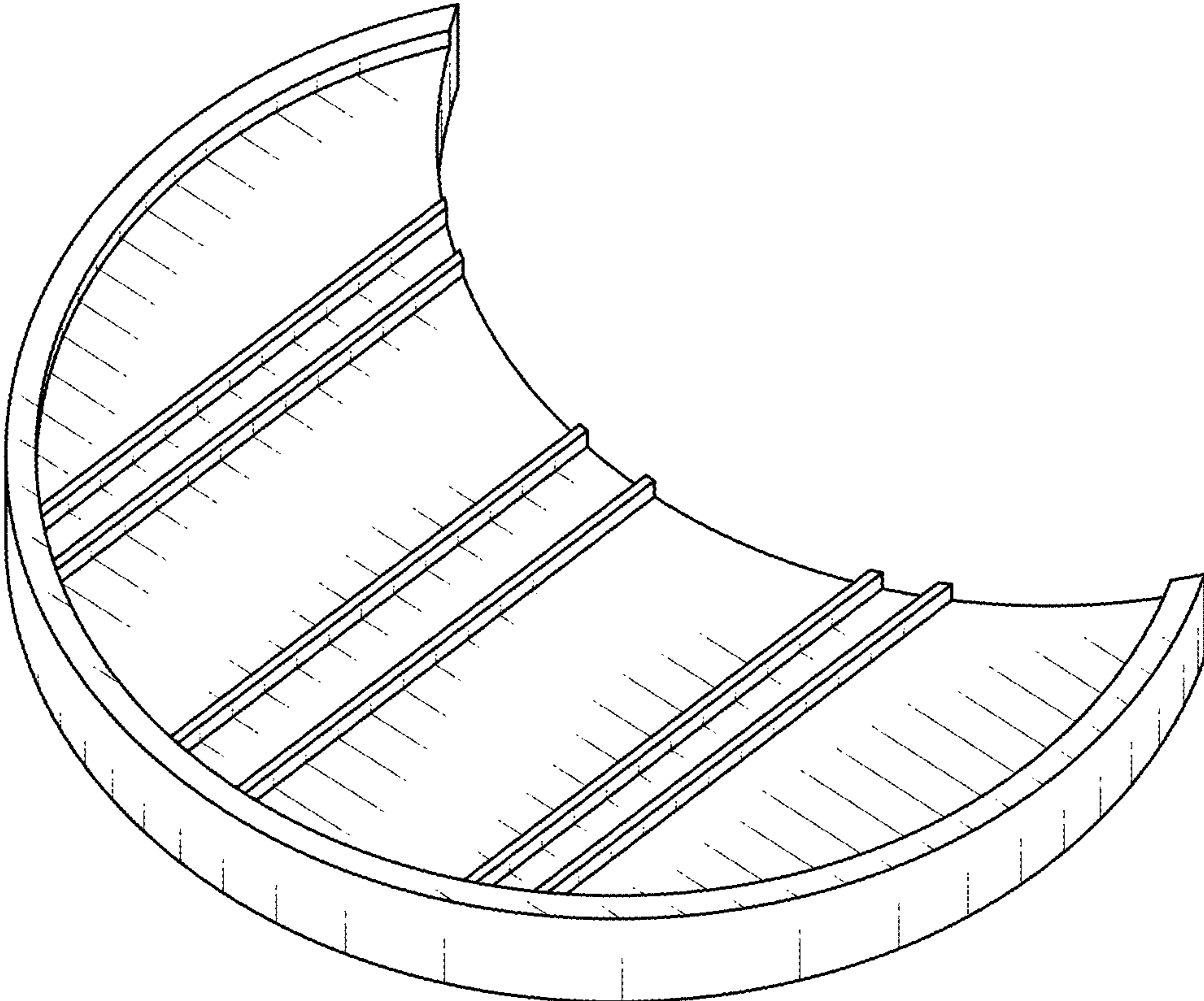


FIG. 1

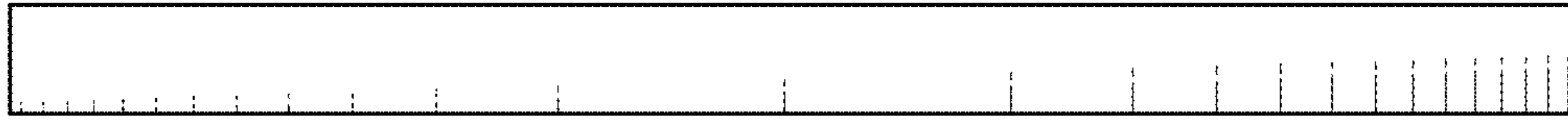


FIG. 2

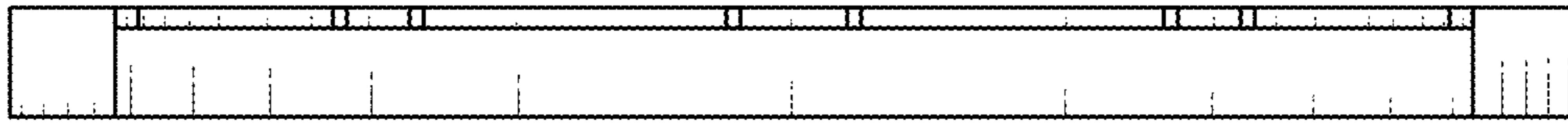


FIG. 3



FIG. 4

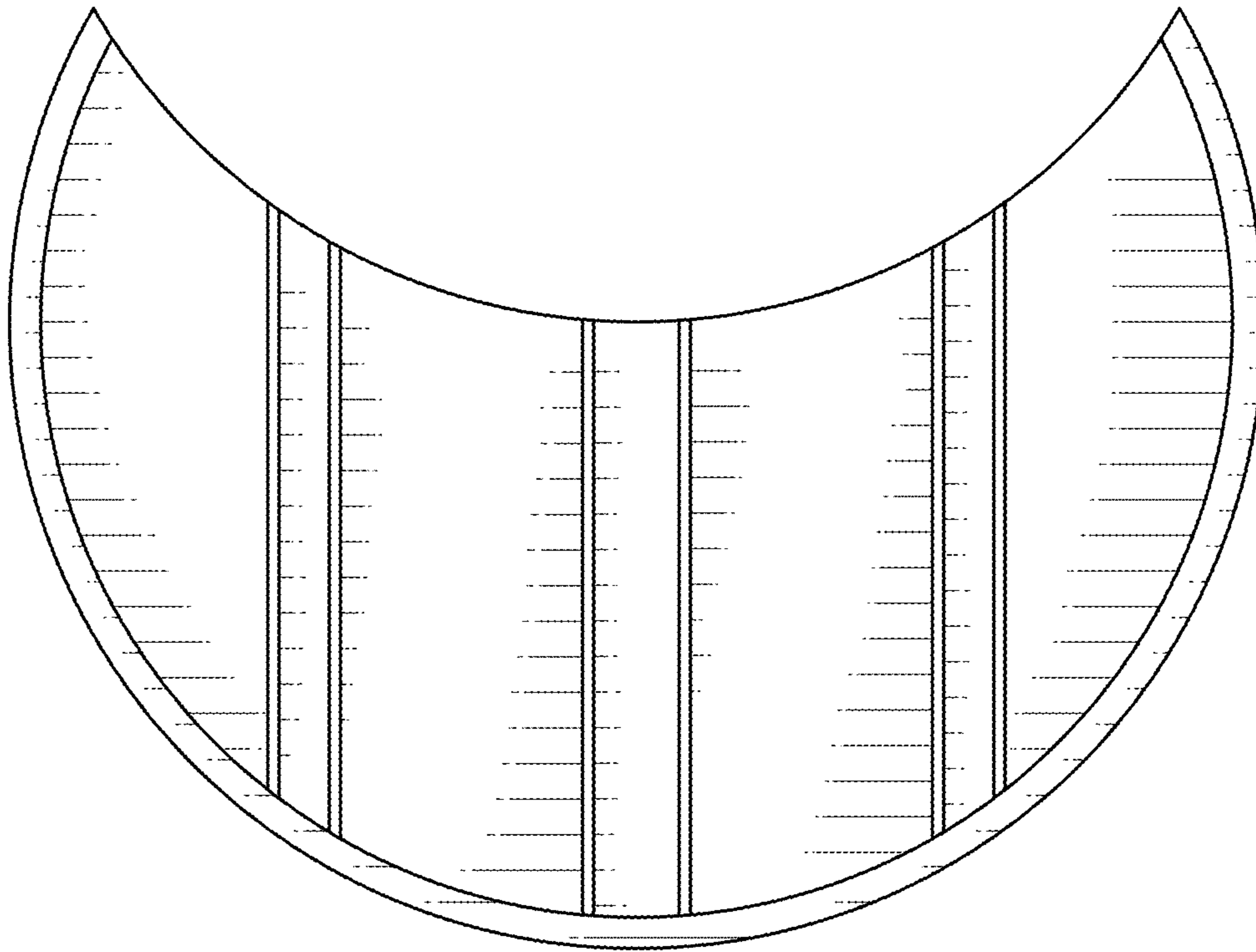


FIG. 5

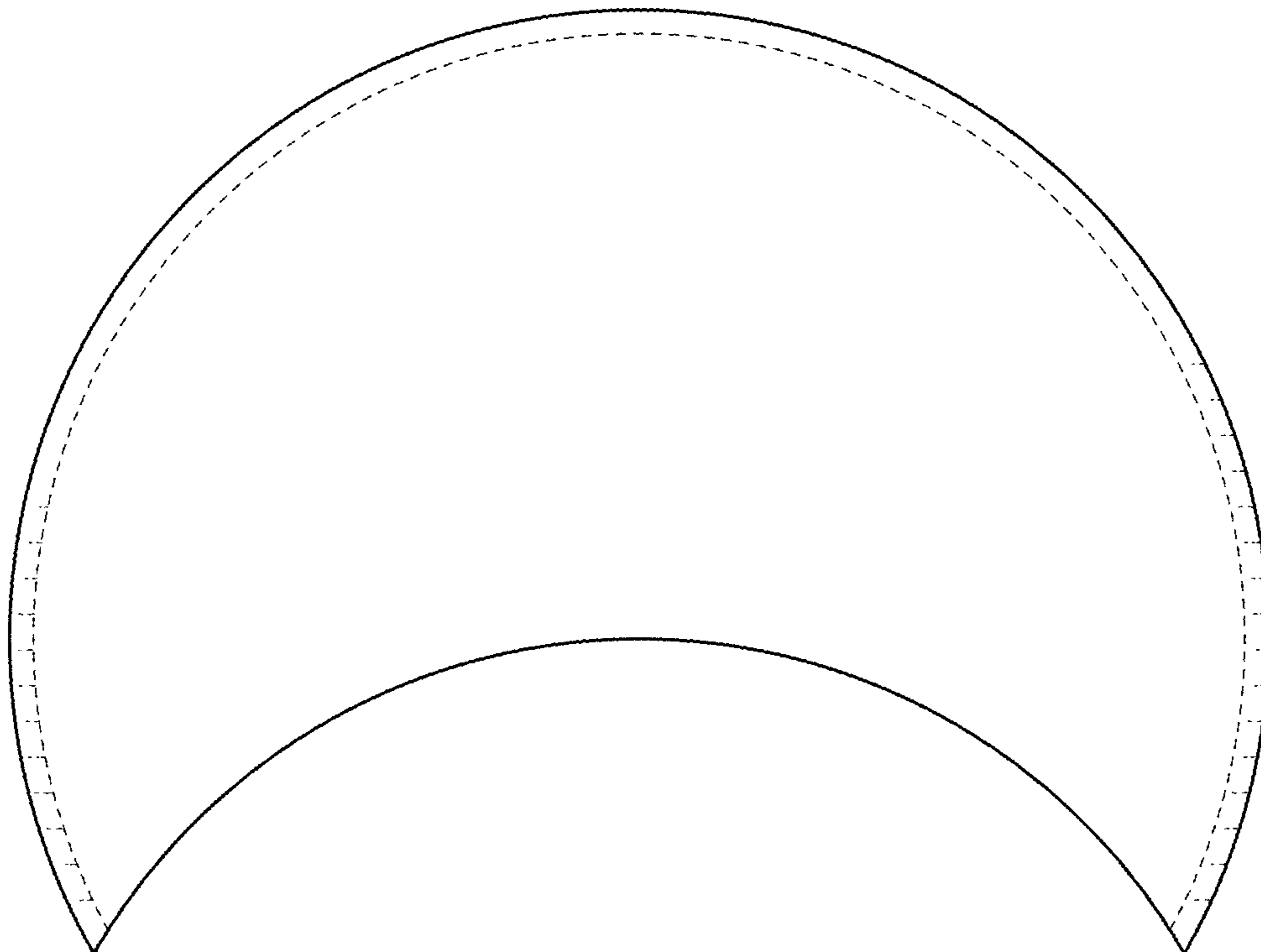


FIG. 6